

US00D574835S

(12) **United States Design Patent**
Ho

(10) **Patent No.:** **US D574,835 S**

(45) **Date of Patent:** **** Aug. 12, 2008**

(54) **MINIATURIZED CARD**

(75) Inventor: **Chun-Hsin Ho**, Taipei (TW)

(73) Assignee: **Taisys Technologies Co., Ltd.**, Taipei (TW)

(**) Term: **14 Years**

(21) Appl. No.: **29/267,147**

(22) Filed: **Oct. 6, 2006**

(51) **LOC (8) Cl.** **14-02**

(52) **U.S. Cl.** **D14/436; D14/437**

(58) **Field of Classification Search** D14/435-437, D14/478-480, 485-495, 474, 217; D13/182; 369/275.1-275.5, 44.26, 284, 286, 100, 52.1, 369/272, 273, 280-288; 283/81; 720/718; 435/6, 287.2; 604/891.1; 216/2; D11/80; 235/492, 488, 493, 487, 375, 379, 439, 440, 235/441, 451, 486; 361/737, 748-752; D19/9, D19/10; D9/457; 705/51; 257/707, 686; 340/5.52, 5.25, 5.74

See application file for complete search history.

(56) **References Cited**

U.S. PATENT DOCUMENTS

3,359,985	A *	12/1967	Luscher	209/547
D267,009	S *	11/1982	Doi	D14/436
D458,935	S *	6/2002	Hiroki	D14/436
D460,455	S *	7/2002	Pentz	D14/436
D491,951	S *	6/2004	Yu et al.	D14/436
D492,314	S *	6/2004	Huang et al.	D14/436
D492,686	S *	7/2004	Yu et al.	D14/436
D492,688	S *	7/2004	Wallace et al.	D14/437
D494,180	S *	8/2004	Taniguchi	D14/436
6,865,086	B2 *	3/2005	Gochnour et al.	361/737

D504,433	S *	4/2005	Nishizawa et al.	D14/436
D509,243	S *	9/2005	Hunter et al.	D19/10
2003/0184978	A1 *	10/2003	LoBianco et al.	361/728
2004/0211843	A1 *	10/2004	Boker	235/492
2004/0232246	A1 *	11/2004	Dhers et al.	235/492
2005/0045729	A1 *	3/2005	Yamazaki	235/492
2005/0231921	A1 *	10/2005	Noda et al.	361/737

* cited by examiner

Primary Examiner—Melanie Tung

Assistant Examiner—Susan M Lee

(74) *Attorney, Agent, or Firm*—Bacon & Thomas PLLC

(57) **CLAIM**

I claim the ornamental design for a miniaturized card, as shown and described.

DESCRIPTION

FIG. 1 is a perspective view of a miniaturized card showing the new design;

FIG. 2 is a top view of the miniaturized card shown in FIG. 1;

FIG. 3 is a front view of the miniaturized card shown in FIG. 1;

FIG. 4 is a bottom view of the miniaturized card shown in FIG. 1;

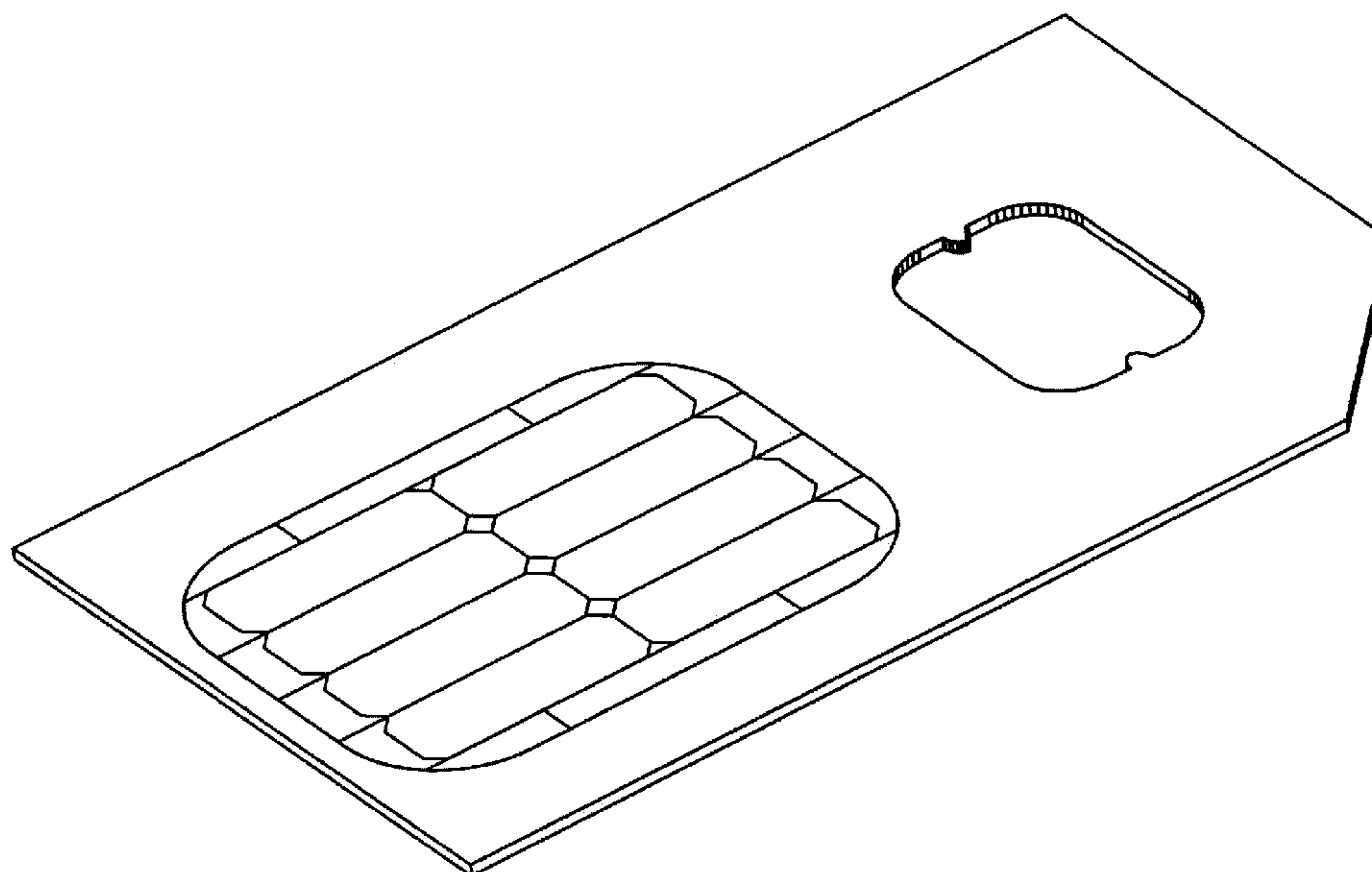
FIG. 5 is a left side view of the miniaturized card shown in FIG. 1;

FIG. 6 is a right side view of the miniaturized card shown in FIG. 1; and,

FIG. 7 is a rear view of the miniaturized card shown in FIG. 1.

The portions shown in broken line are for illustrative purposes only and form no part of the claimed design.

1 Claim, 7 Drawing Sheets



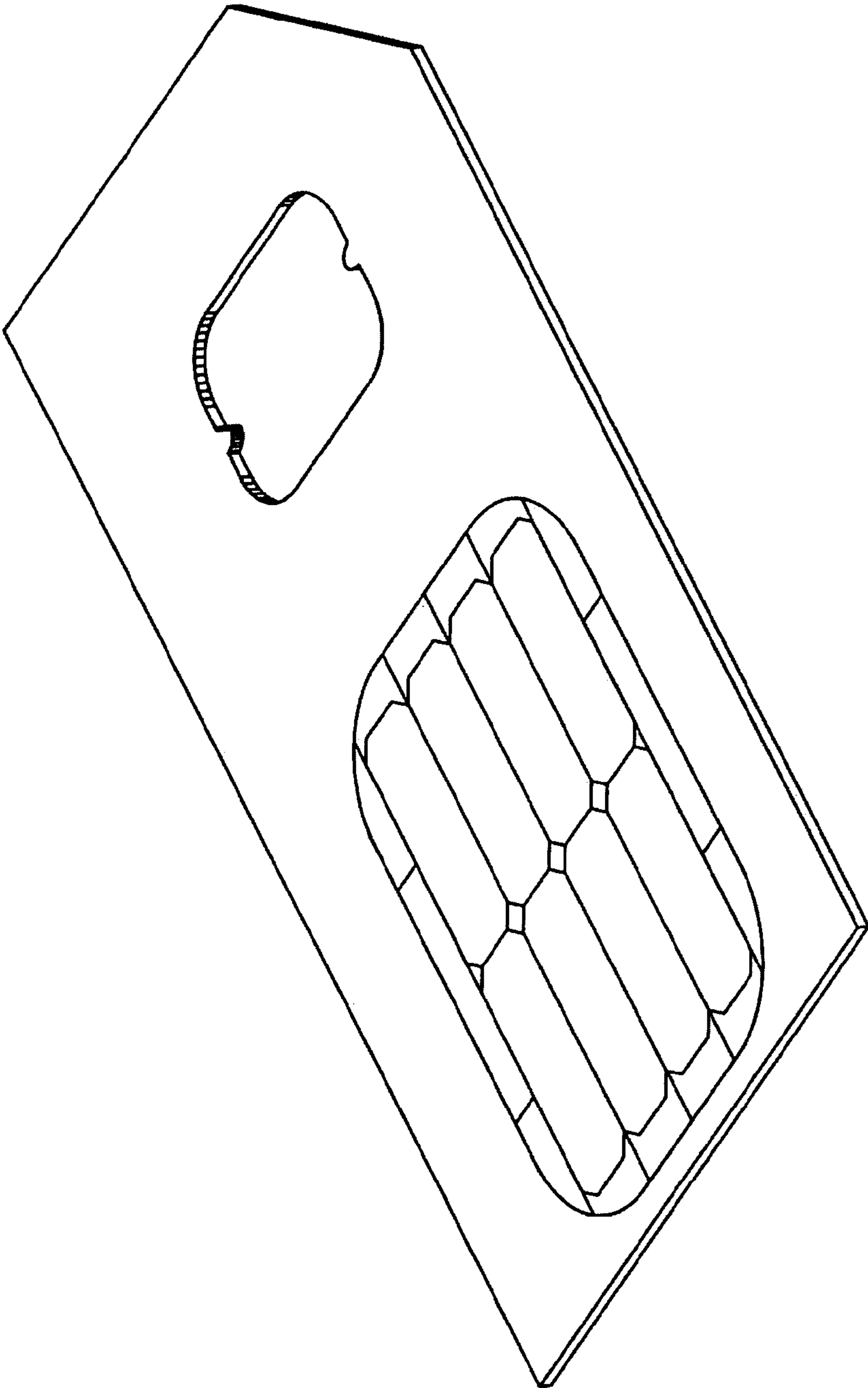


Fig. 1

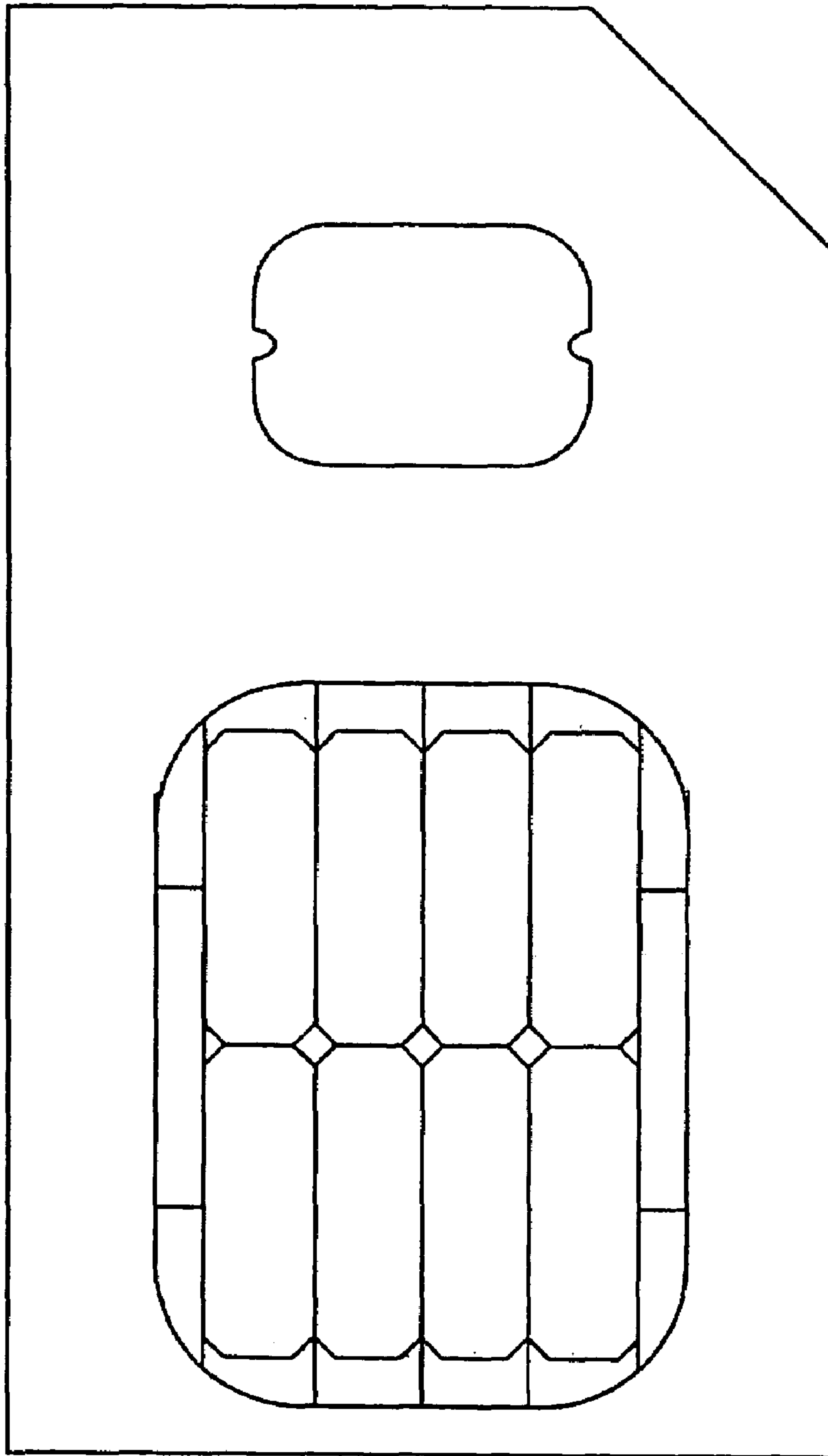


Fig. 2



Fig. 3

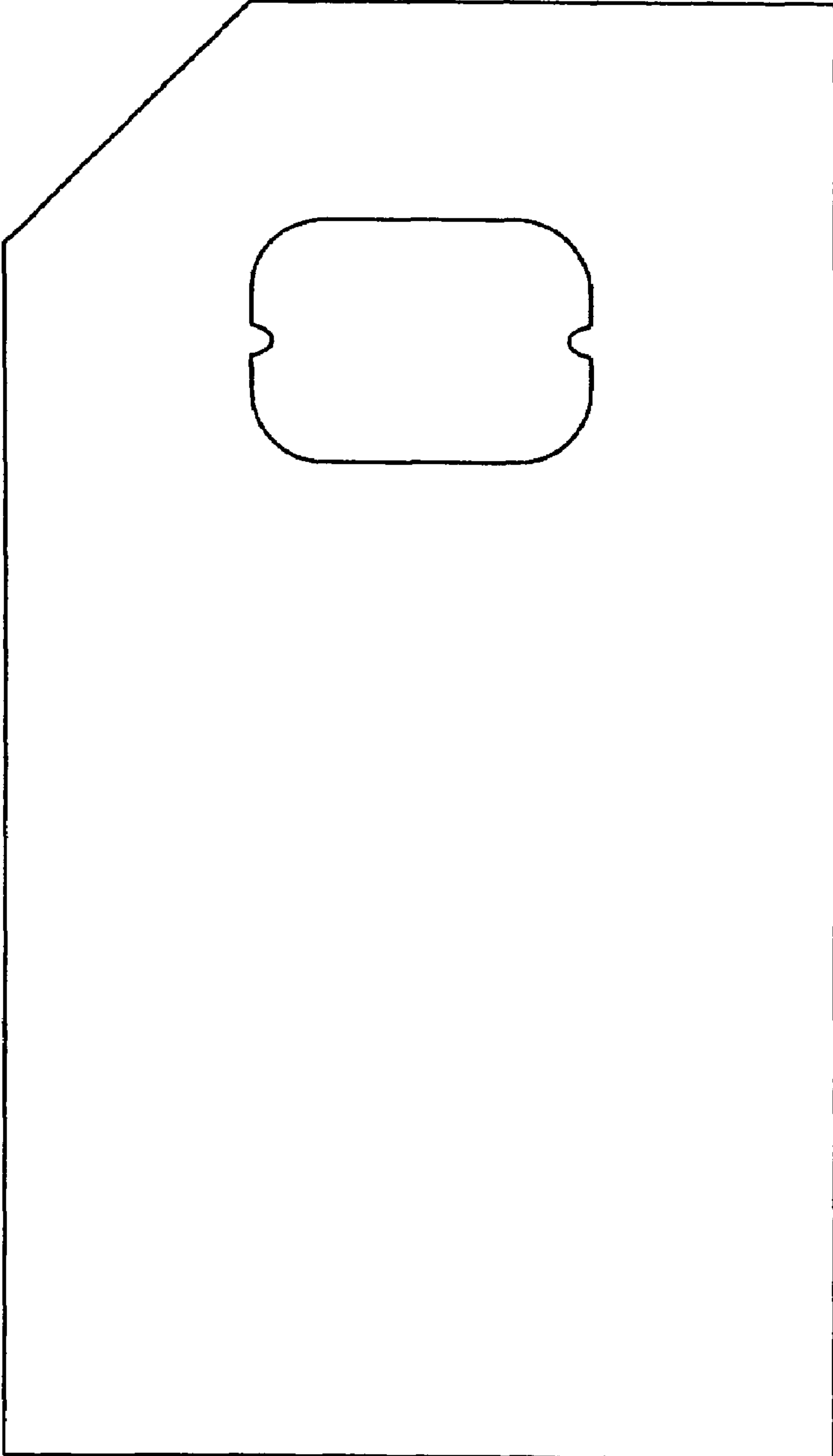


Fig. 4



Fig. 5

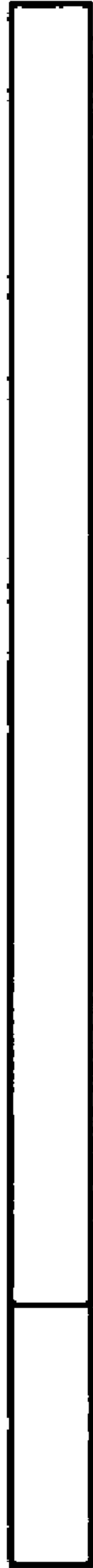


Fig. 6



Fig. 7