

US00D574834S

(12) **United States Design Patent**
Chen

(10) **Patent No.:** **US D574,834 S**

(45) **Date of Patent:** **** Aug. 12, 2008**

(54) **CONTROLLER OF KEYBOARD, VIDEO AND MOUSE (KVM) SWITCH**

(75) Inventor: **Ya-Lin Chen**, Taipei Hsien (TW)

(73) Assignee: **Aten International Co., Ltd.**, Taipei Hsien (TW)

(**) Term: **14 Years**

(21) Appl. No.: **29/280,131**

(22) Filed: **May 17, 2007**

(30) **Foreign Application Priority Data**

Dec. 6, 2006 (TW) 95306744

(51) **LOC (8) Cl.** **14-02**

(52) **U.S. Cl.** **D14/432; D14/433**

(58) **Field of Classification Search** D14/356-358, D14/362, 363, 365, 368, 370, 383, 385, 388, D14/432, 433, 435, 439, 442, 443; D13/147, D13/158, 162, 164, 171; 439/638; 710/10, 710/62, 100, 63, 316, 16, 72
See application file for complete search history.

(56) **References Cited**

U.S. PATENT DOCUMENTS

D480,372 S * 10/2003 Chen et al. D14/136
D487,460 S * 3/2004 Lee D14/368
D515,546 S * 2/2006 Mu D14/156

D534,182 S * 12/2006 Leija et al. D14/496
D535,650 S * 1/2007 Wong et al. D14/357
D538,795 S * 3/2007 Wong et al. D14/357
D539,814 S * 4/2007 Andre et al. D14/496
D556,155 S * 11/2007 Andre et al. D13/168
D560,228 S * 1/2008 Andre et al. D14/496
D562,264 S * 2/2008 Jeong et al. D13/164

* cited by examiner

Primary Examiner—Cathron Brooks

Assistant Examiner—Deanna Fluegeman

(74) *Attorney, Agent, or Firm*—Pai Patent and Trademark Law Firm; Chao-Chang David Pai

(57) **CLAIM**

The ornamental design for a controller of keyboard, video and mouse (KVM) switch, as shown and described.

DESCRIPTION

FIG. 1 is a perspective view of a controller of keyboard, video and mouse (KVM) switch, showing my new design;

FIG. 2 is a front view thereof;

FIG. 3 is a rear view thereof;

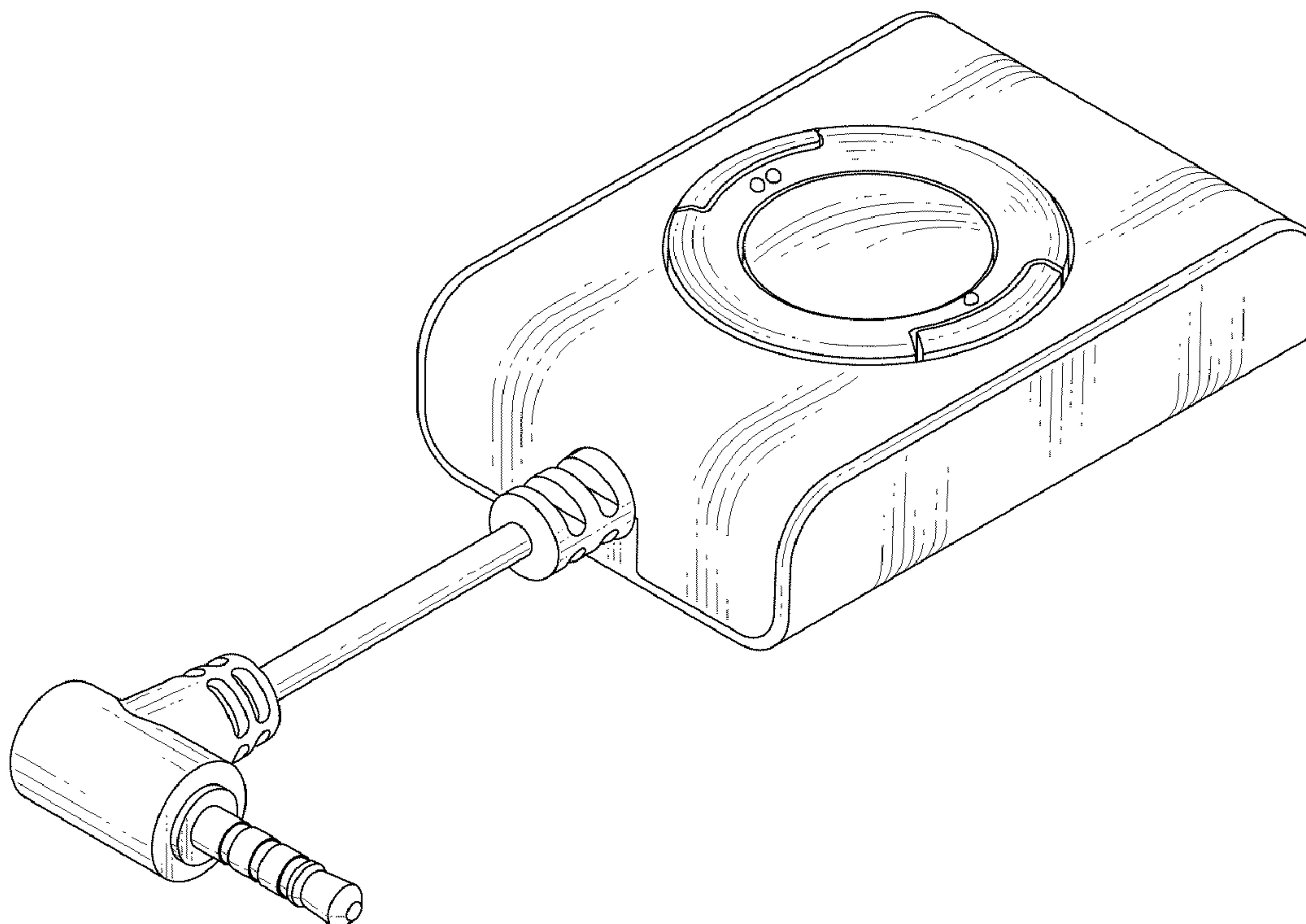
FIG. 4 is a left side view thereof;

FIG. 5 is a right side view thereof;

FIG. 6 is a top view thereof; and,

FIG. 7 is a bottom view thereof.

1 Claim, 5 Drawing Sheets



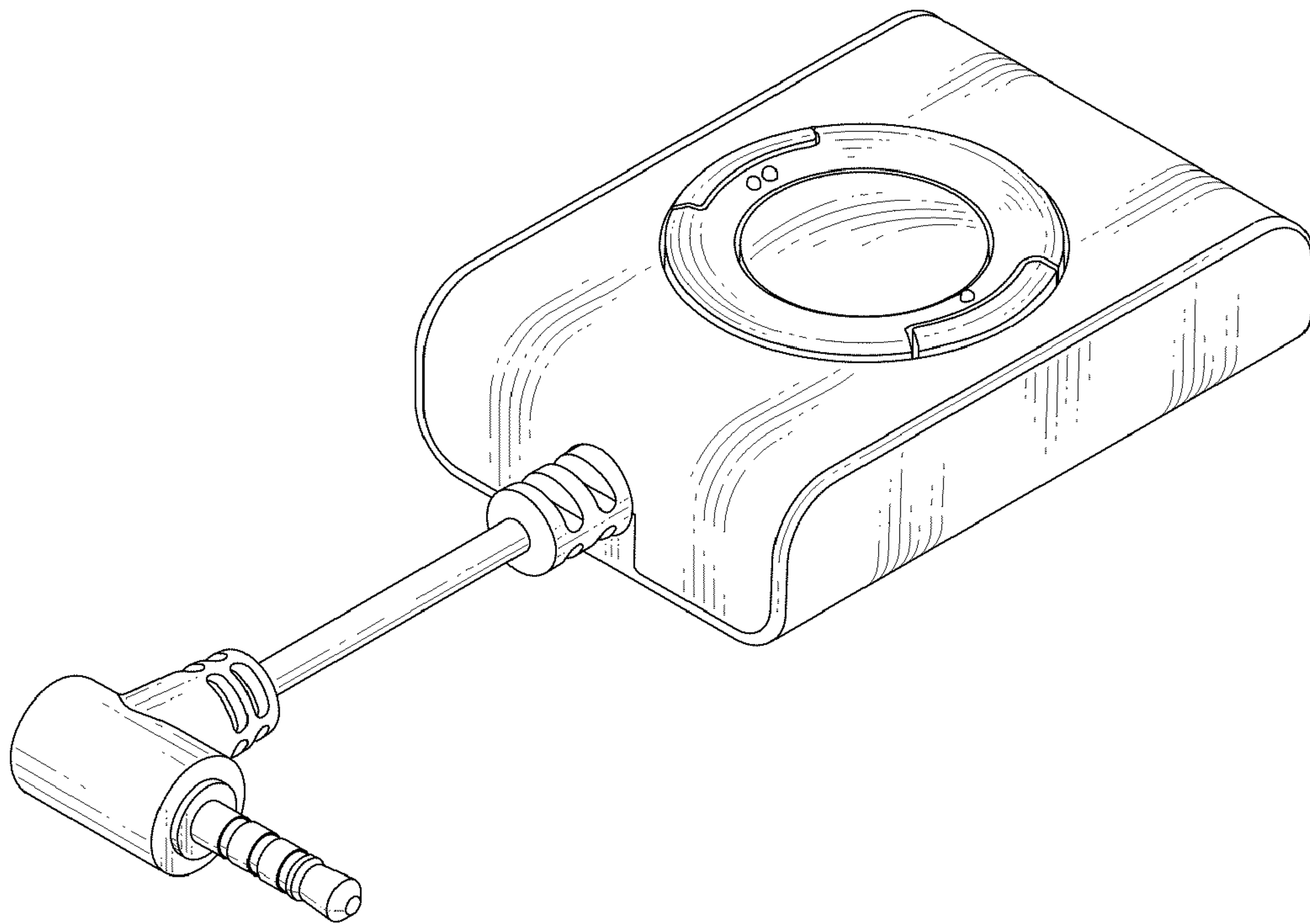


Fig. 1

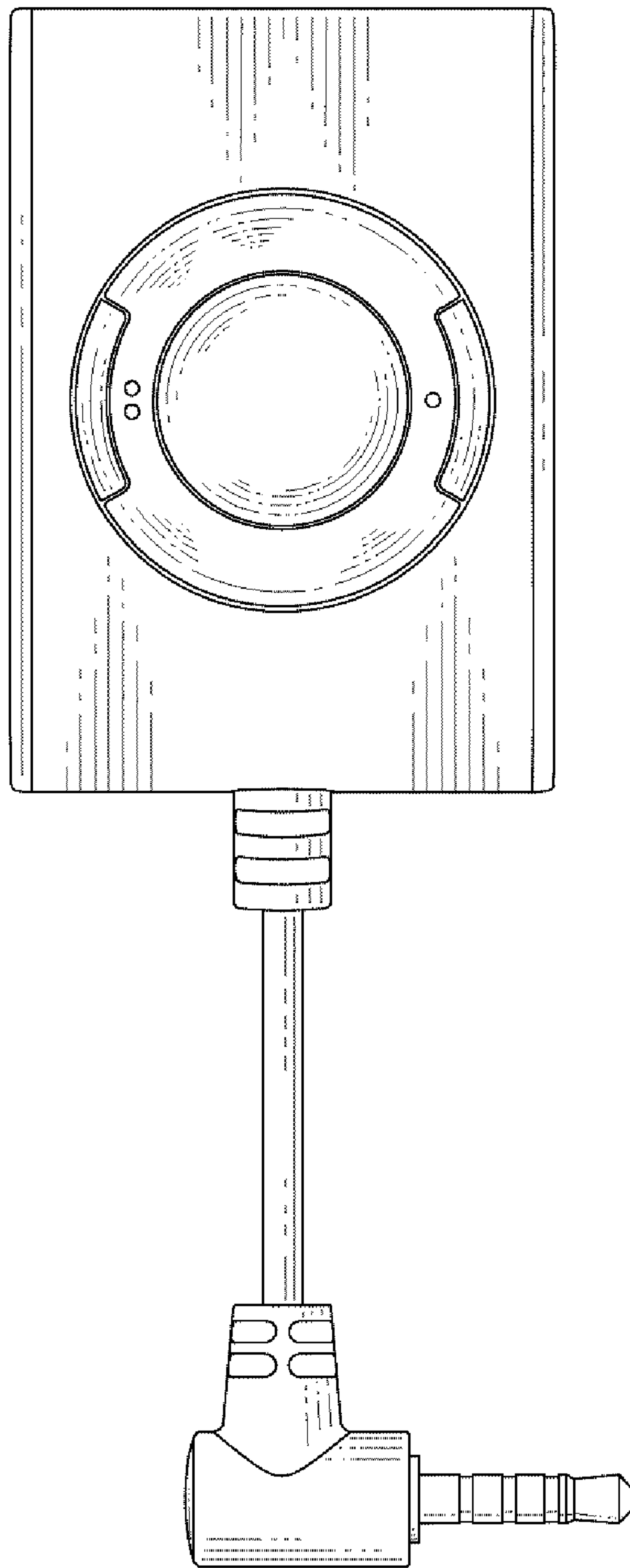


Fig. 2

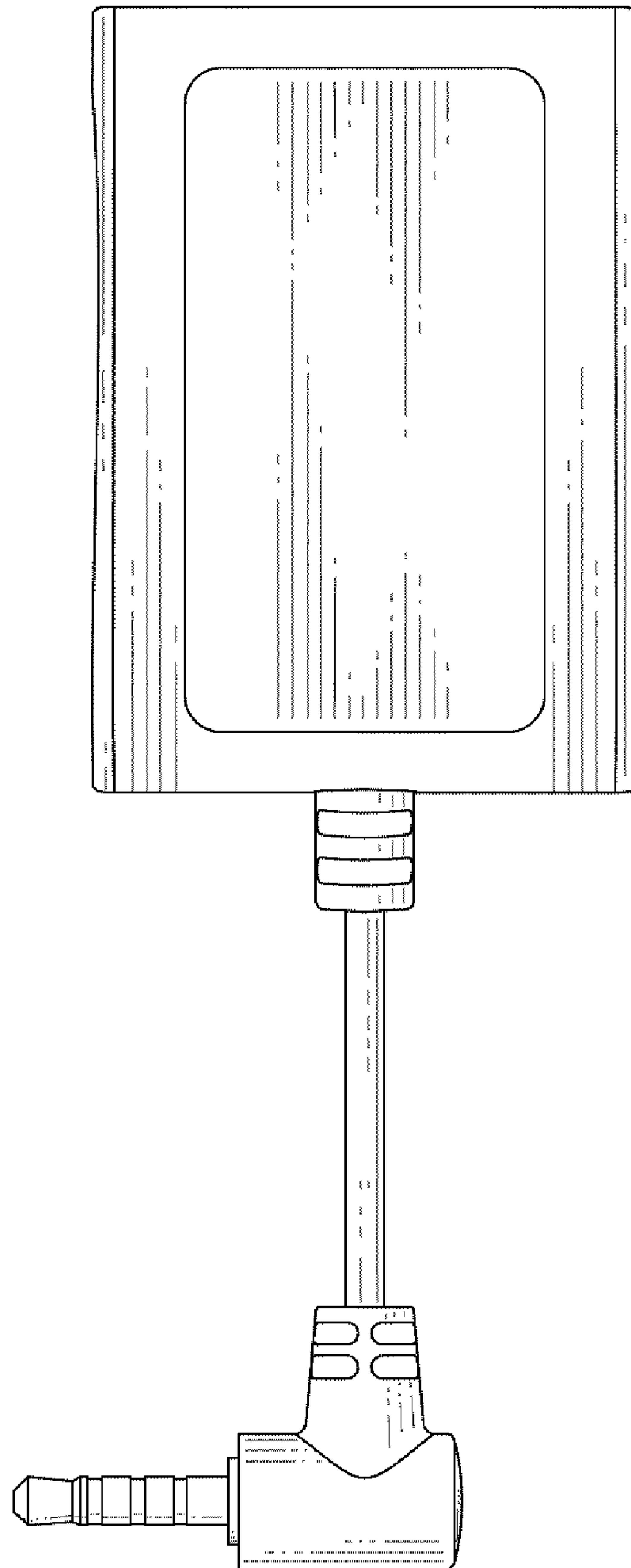


Fig. 3

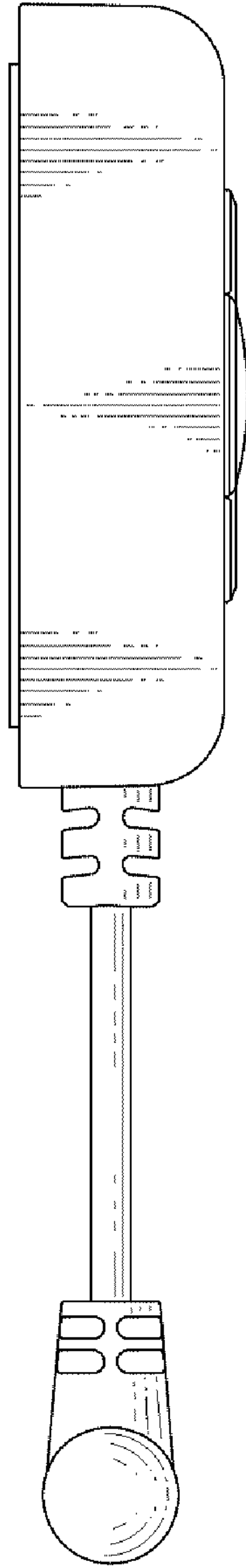


Fig. 4

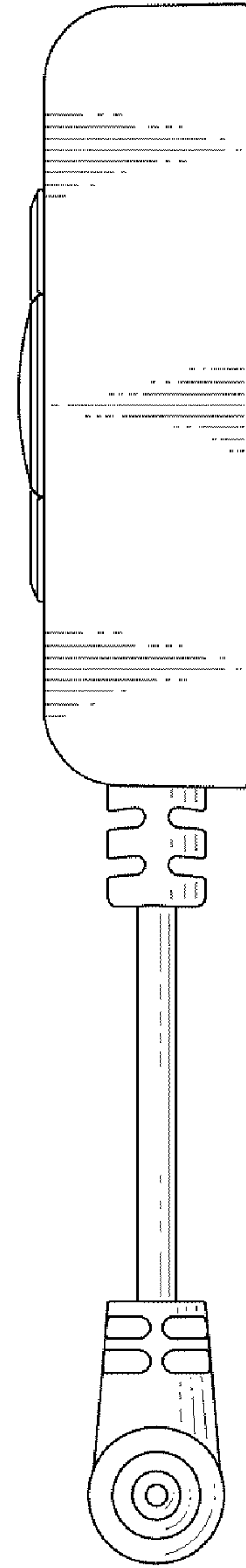


Fig. 5

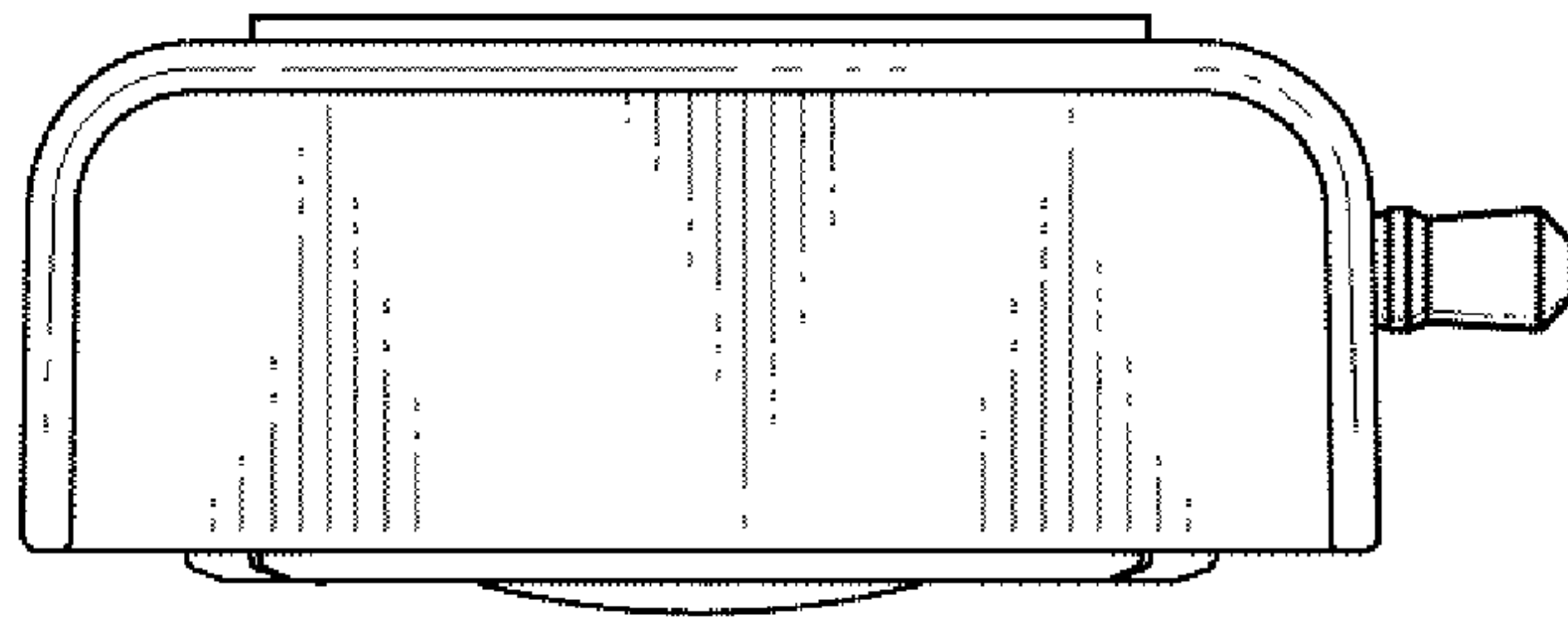


Fig. 6

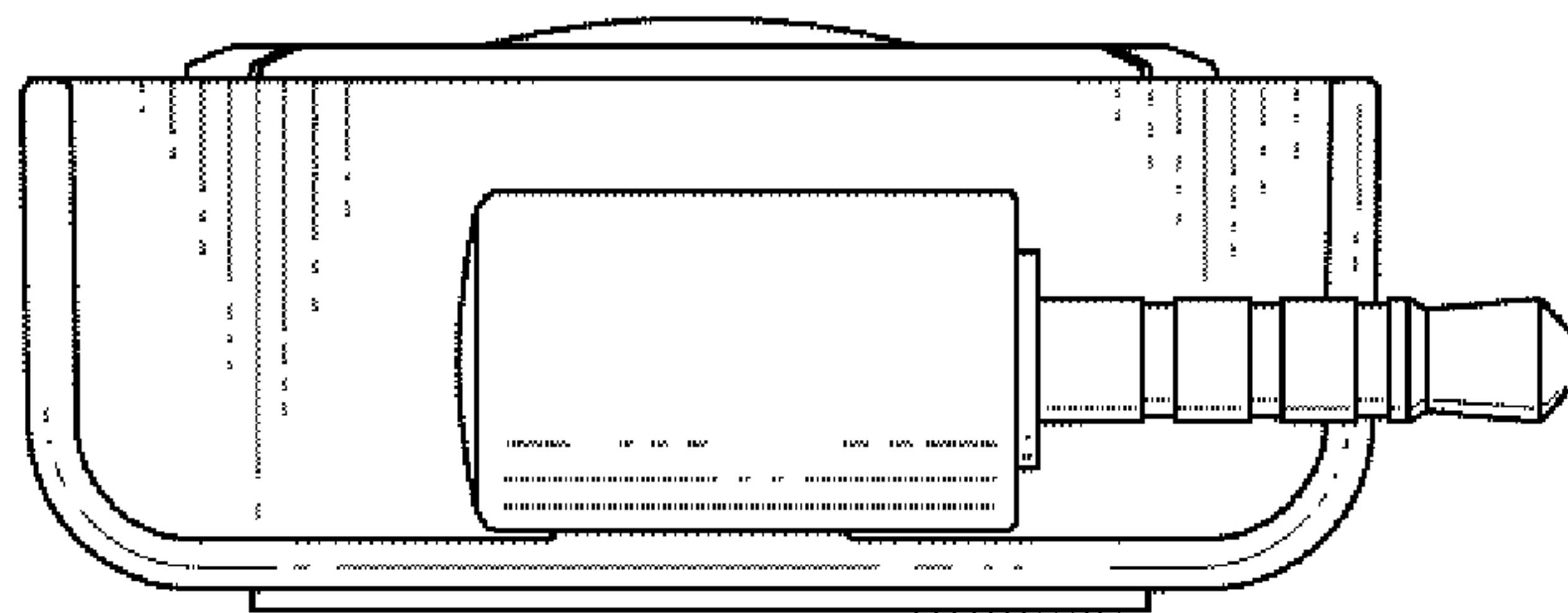


Fig. 7