



US00D574833S

(12) **United States Design Patent**  
**Hussaini et al.**

(10) **Patent No.:** **US D574,833 S**

(45) **Date of Patent:** **\*\* Aug. 12, 2008**

(54) **MULTI-SOURCE POWER ADAPTER FOR USB PORT**

(75) Inventors: **Saied Hussaini**, Miami, FL (US); **Marc Iacovelli**, Miami, FL (US)

(73) Assignee: **I-Tec Electronics, Inc.**, Miami, FL (US)

(\*\*) Term: **14 Years**

(21) Appl. No.: **29/264,233**

(22) Filed: **Aug. 7, 2006**

(51) **LOC (8) Cl.** ..... **14-02**

(52) **U.S. Cl.** ..... **D14/432; D13/107; D13/144**

(58) **Field of Classification Search** ..... D14/356–358, D14/362, 363, 365, 368, 370, 383, 385, 388, D14/432, 433, 435, 439, 442, 443; D13/107, D13/108, 110, 118, 123, 137.1, 137.2, 144, D13/184, 199; 320/107–115; 363/15, 16, 363/126, 141, 144, 146; 439/131, 172, 173, 439/500, 638

See application file for complete search history.

(56) **References Cited**

**U.S. PATENT DOCUMENTS**

D280,317	S *	8/1985	Boyd et al.	.....	D13/107
5,829,993	A *	11/1998	Wu	.....	439/131
5,847,545	A *	12/1998	Chen et al.	.....	D13/107
D456,349	S *	4/2002	Chuang	.....	D13/107
D487,458	S *	3/2004	Gentil et al.	.....	D14/356
D511,344	S *	11/2005	Takei	.....	D14/363
D514,103	S *	1/2006	Huang et al.	.....	D14/363
7,035,126	B1 *	4/2006	Lanni	.....	439/131
7,212,420	B2 *	5/2007	Liao	.....	363/146

D543,940	S *	6/2007	Hussaini et al.	.....	D13/144
D559,249	S *	1/2008	Takei	.....	D14/356
7,338,328	B2 *	3/2008	Krieger et al.	.....	439/668
2003/0045176	A1 *	3/2003	Liu	.....	439/687

\* cited by examiner

*Primary Examiner*—Cathron Brooks

*Assistant Examiner*—Deanna Fluegeman

(74) *Attorney, Agent, or Firm*—Berenato, White & Stavish

(57) **CLAIM**

The ornamental design for a multi-source power adapter for USB port, as shown and described.

**DESCRIPTION**

FIG. 1 is a perspective view of the multi-source power adapter for USB port according to the present invention.

FIG. 2 is a front view of the multi-source power adapter for USB port of FIG. 1.

FIG. 3 is a rear view of the multi-source power adapter for USB port of FIG. 1.

FIG. 4 is a right side view of the multi-source power adapter for USB port of FIG. 1.

FIG. 5 is a left side view of the multi-source power adapter for USB port of FIG. 1.

FIG. 6 is a top view of the multi-source power adapter for USB port of FIG. 1.

FIG. 7 is a bottom view of the multi-source power adapter for USB port of FIG. 1; and,

FIG. 8 is a left side view of the multi-source power adapter for USB port of FIG. 1 in an alternate orientation.

**1 Claim, 5 Drawing Sheets**

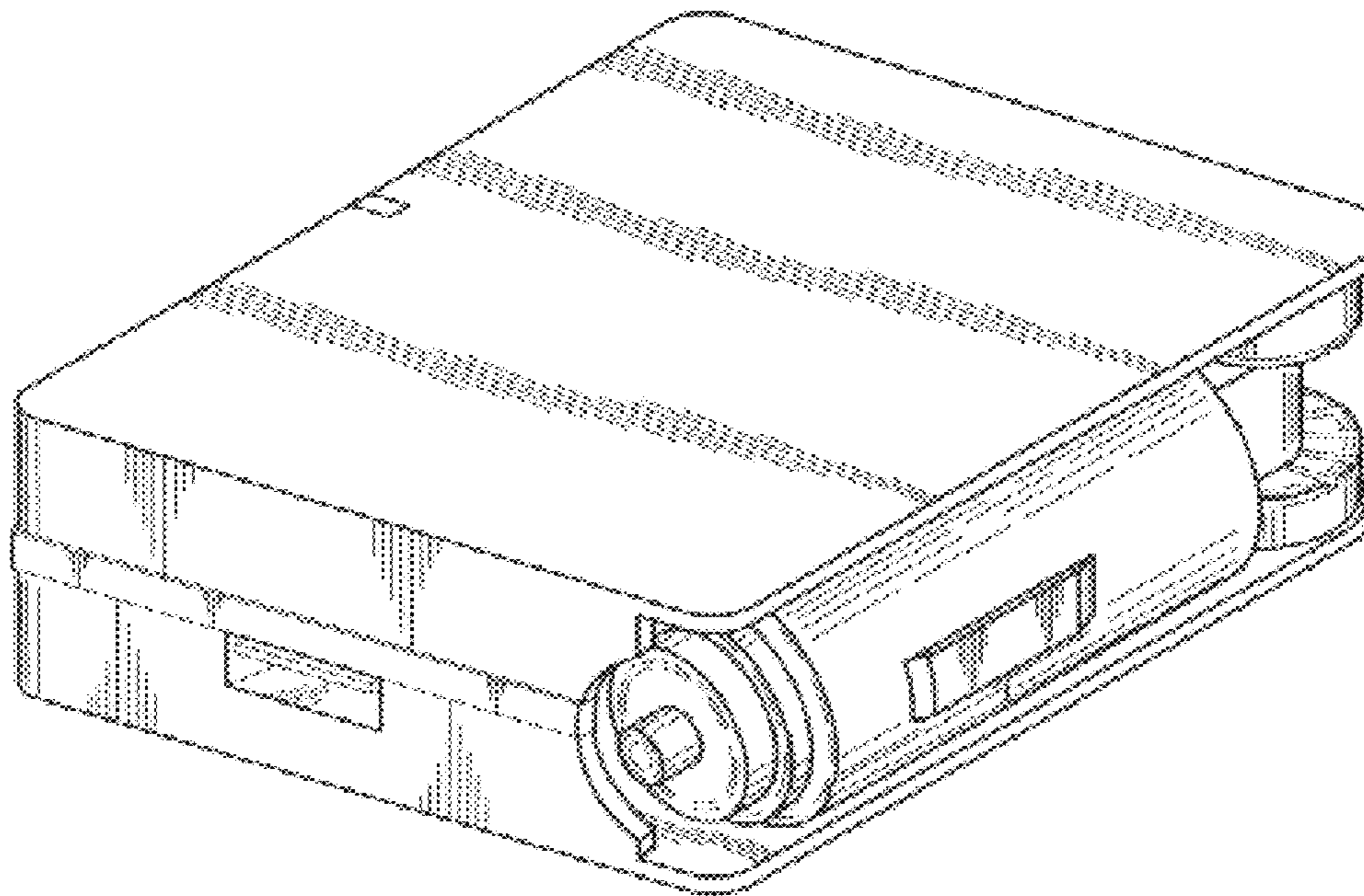


Fig. 1

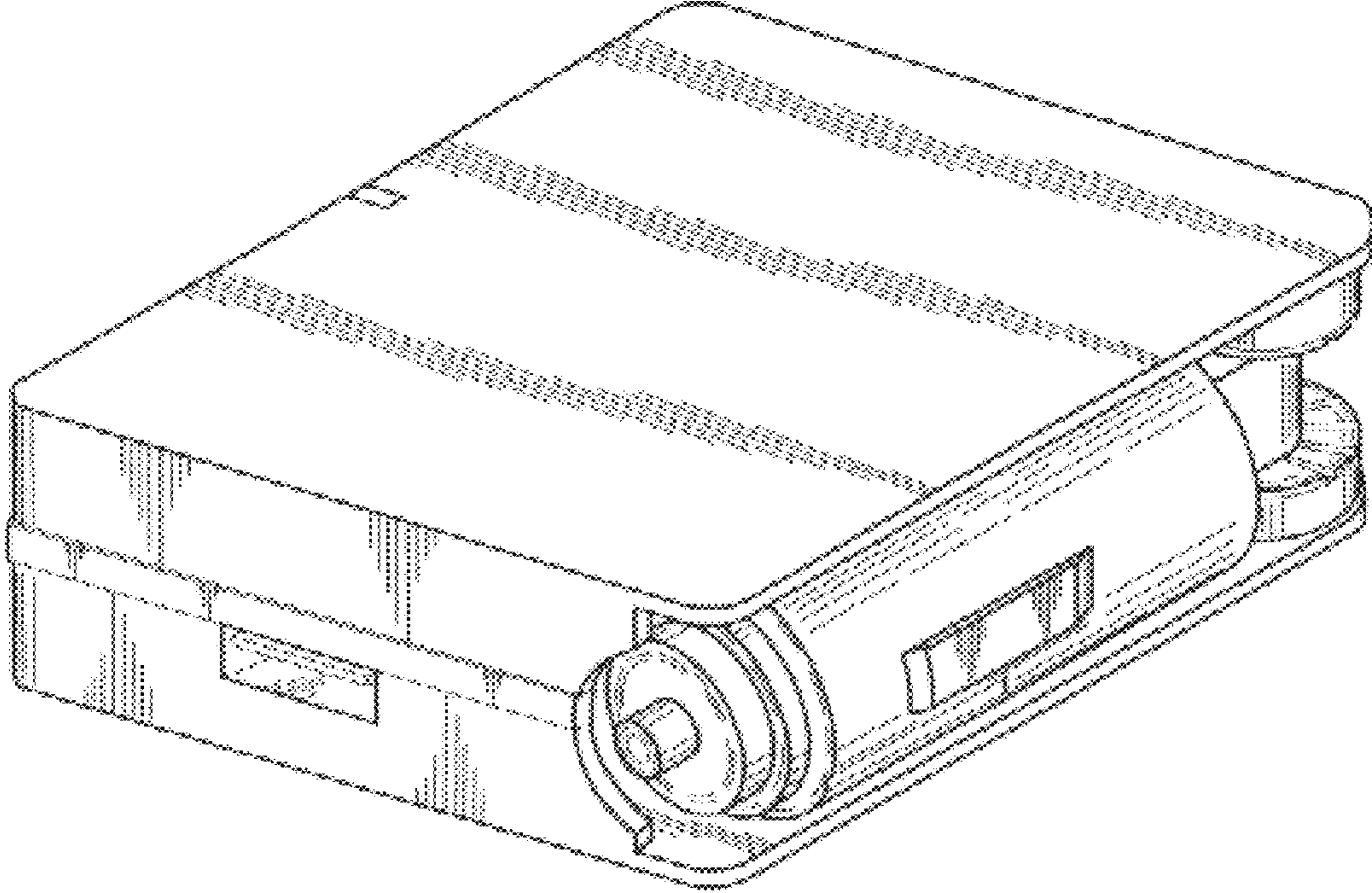


Fig. 2

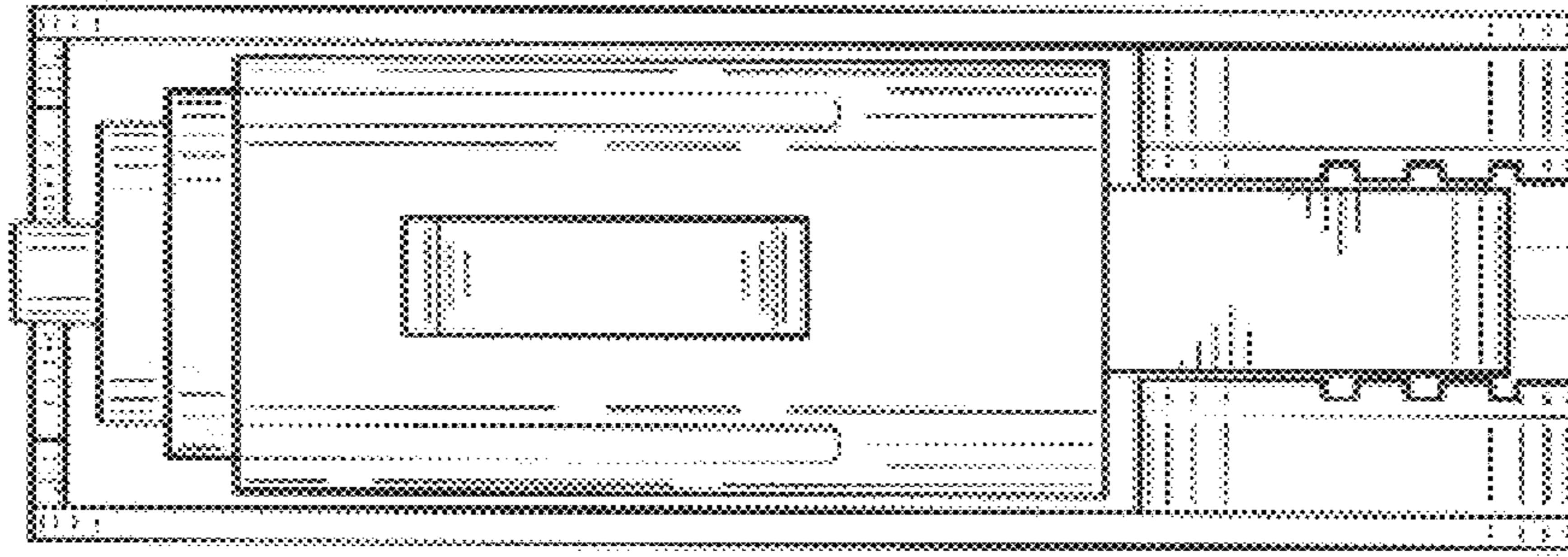


Fig. 3

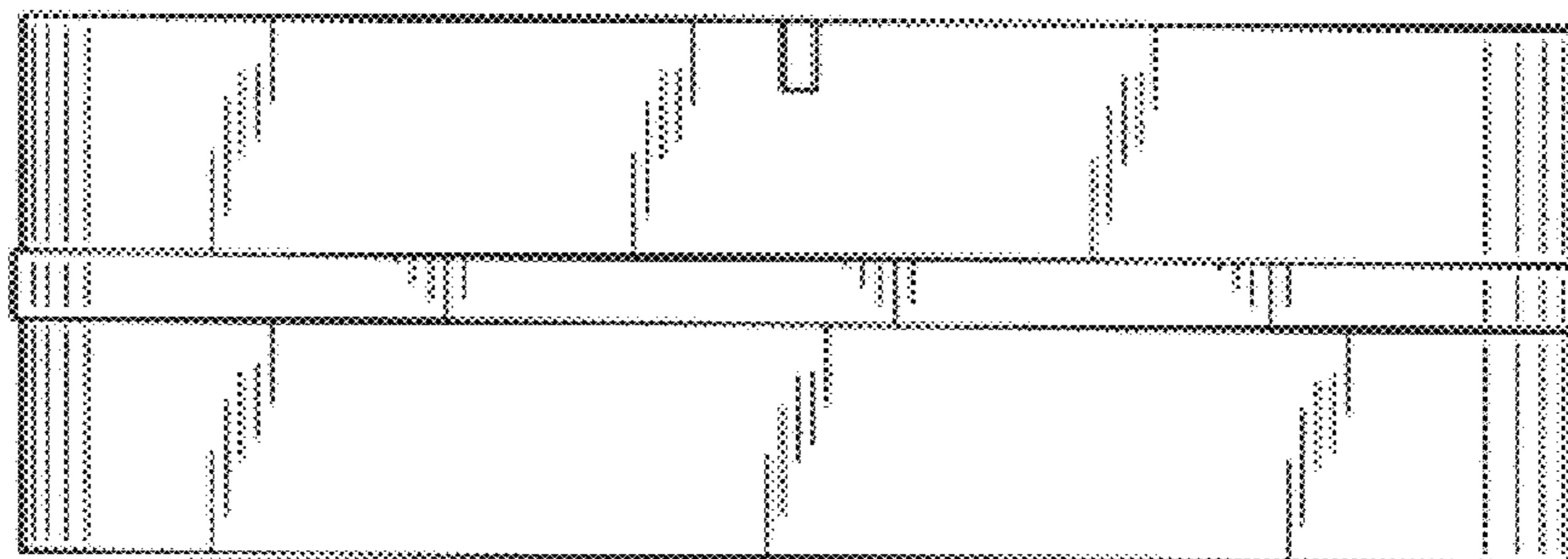


Fig. 4

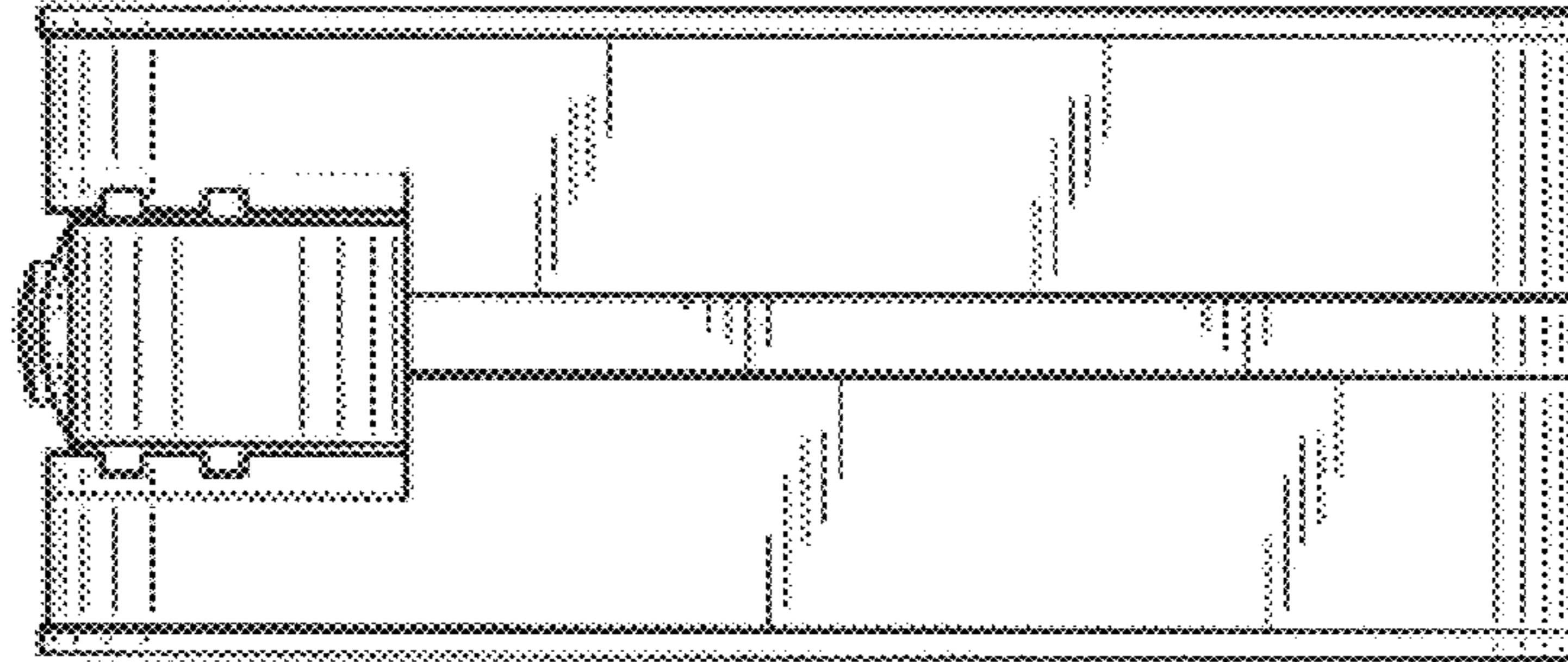


Fig. 5

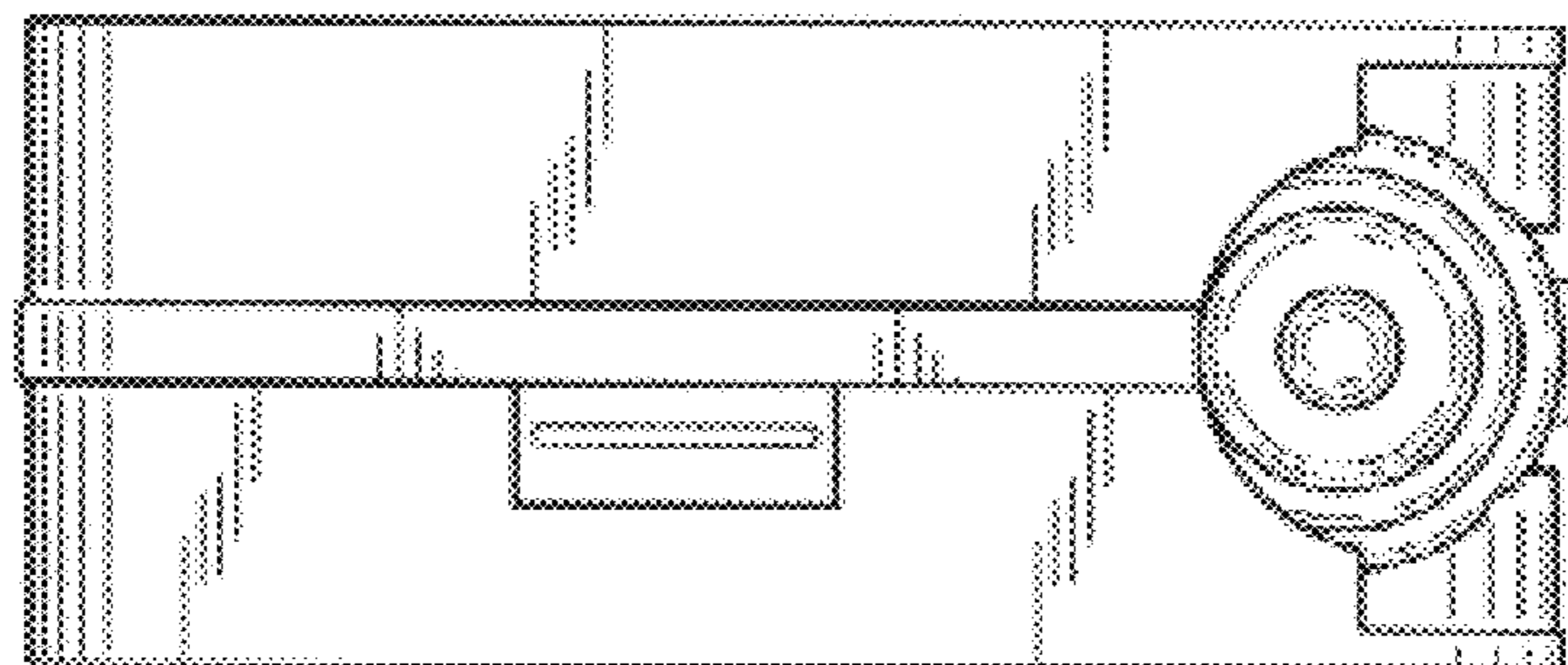


Fig. 6

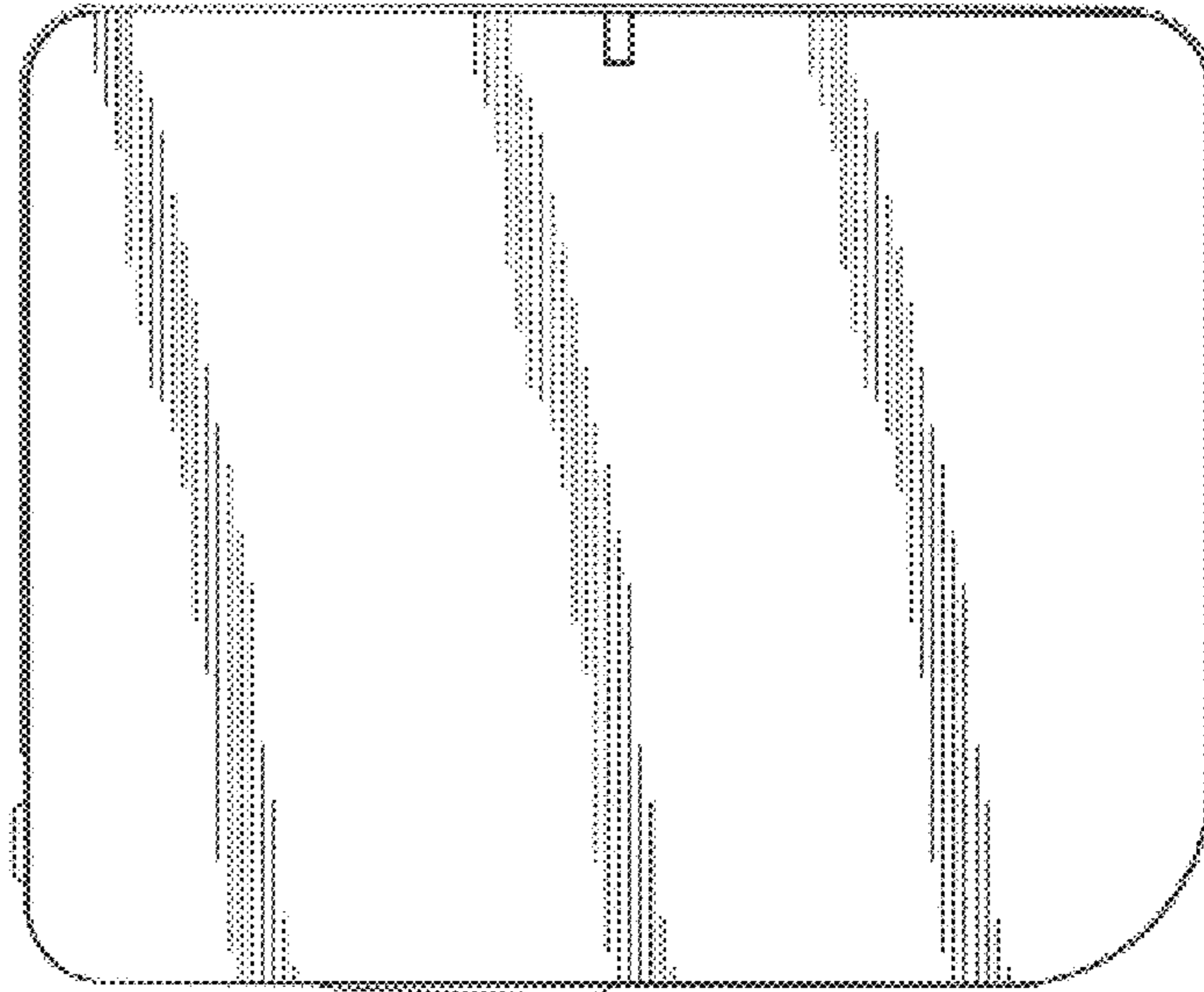


Fig. 7

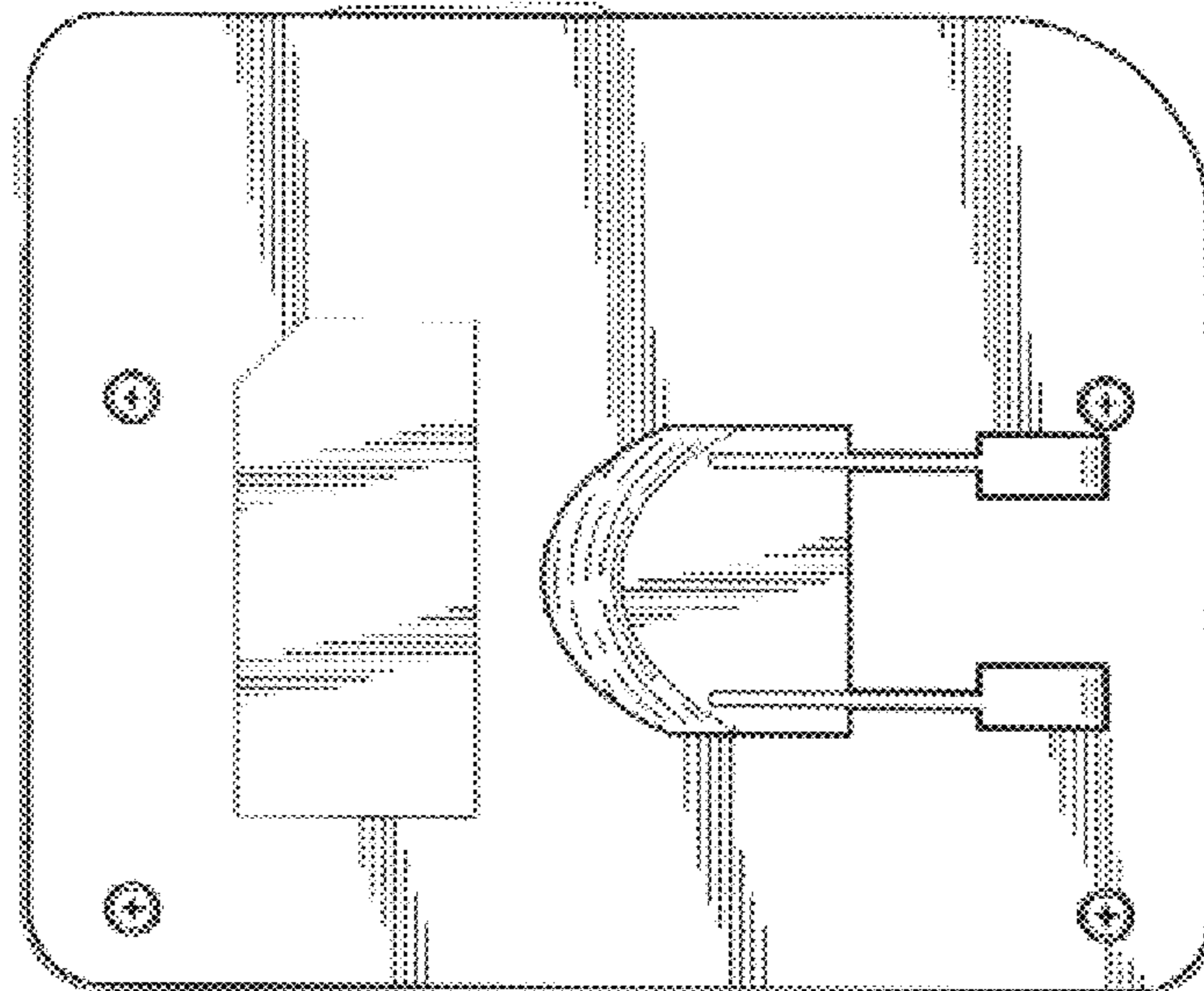


Fig.8

