

US00D574832S

(12) **United States Design Patent**
MacGregor et al.

(10) **Patent No.:** **US D574,832 S**

(45) **Date of Patent:** **** Aug. 12, 2008**

(54) **HAND-HELD SCANNER**

(75) Inventors: **Shane MacGregor**, Forest Hills, NY
(US); **Eric M. Johnson**, Brooklyn, NY
(US)

(73) Assignee: **Symbol Technologies, Inc.**, Holtsville,
NY (US)

(**) Term: **14 Years**

(21) Appl. No.: **29/264,670**

(22) Filed: **Aug. 15, 2006**

(51) **LOC (8) Cl.** **14-02**

(52) **U.S. Cl.** **D14/428**

(58) **Field of Classification Search** D14/428,
D14/420, 426; 382/312, 313, 321; 235/472.01,
235/462.45, 462.43; 250/568
See application file for complete search history.

(56) **References Cited**

U.S. PATENT DOCUMENTS

- D362,435 S * 9/1995 Charych et al. D14/428
- D388,076 S * 12/1997 Swift et al. D14/428
- D400,199 S * 10/1998 Fitch et al. D14/428
- D405,077 S * 2/1999 Urushihata et al. D14/428
- D414,171 S * 9/1999 Swift et al. D14/428
- D418,500 S * 1/2000 Giordano et al. D14/429
- 6,223,988 B1 * 5/2001 Batterman et al. 235/472.01

- D456,810 S * 5/2002 Schlieffers D14/428
- D470,145 S * 2/2003 Schlieffers et al. D14/428
- 6,517,003 B2 * 2/2003 Vassura et al. 235/472.01
- 6,824,060 B2 * 11/2004 Barkan 235/462.25
- 6,883,713 B2 * 4/2005 Schlieffers 235/472.01

* cited by examiner

Primary Examiner—Catherine Tuttle

Assistant Examiner—Susan Moon Lee

(74) *Attorney, Agent, or Firm*—Fay Kaplun & Marcin, LLP

(57) **CLAIM**

The ornamental design for a hand-held scanner, as shown and described.

DESCRIPTION

FIG. 1 is a front elevation view of a hand-held scanner showing our new design;

FIG. 2 is a rear elevation view thereof;

FIG. 3 is a top plan view thereof;

FIG. 4 is a bottom view thereof;

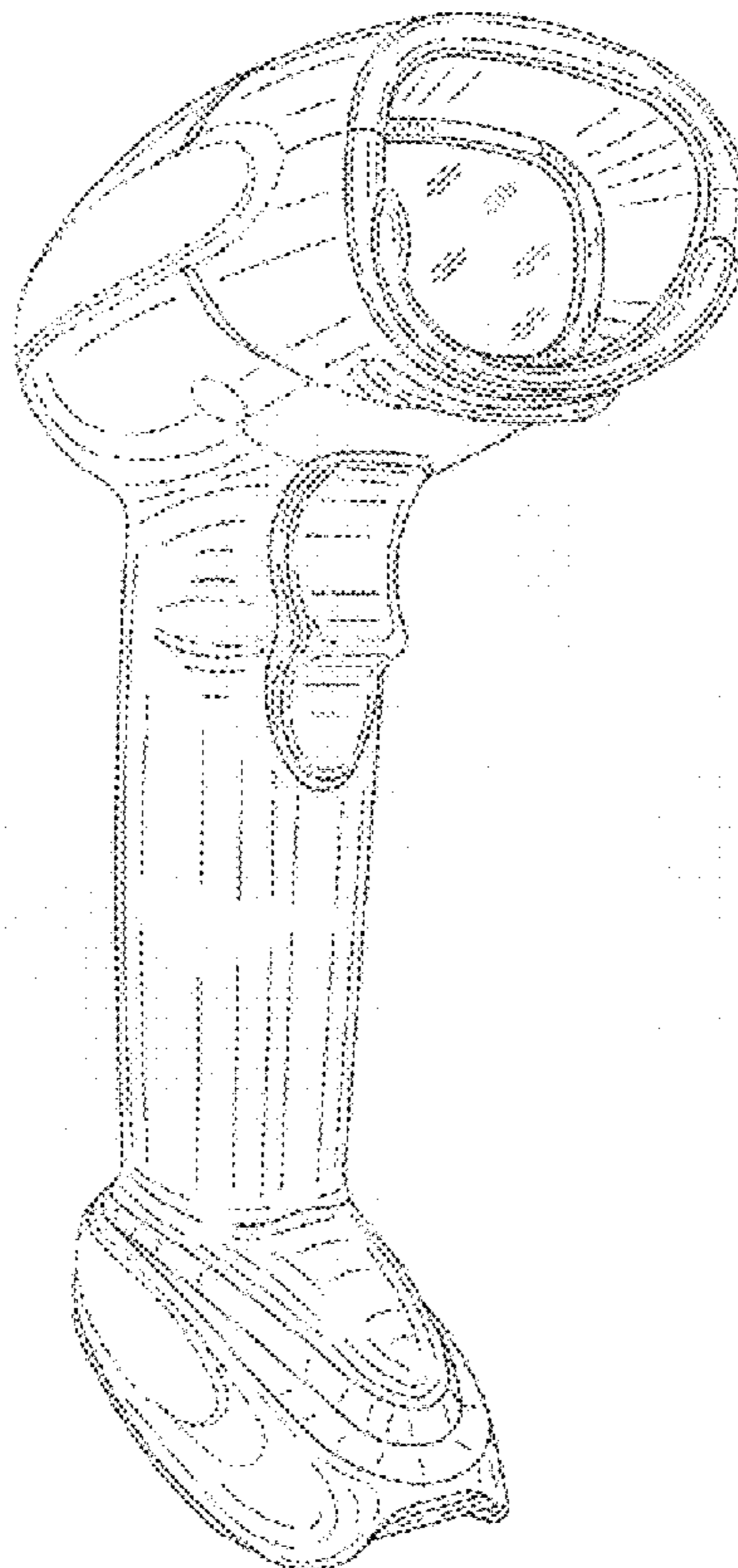
FIG. 5 is a first side elevation view thereof;

FIG. 6 is a second side elevation view thereof; and,

FIG. 7 is a front, side perspective view thereof.

The portions shown in broken line are for illustrative purposes only and form no part of the claimed design.

1 Claim, 6 Drawing Sheets



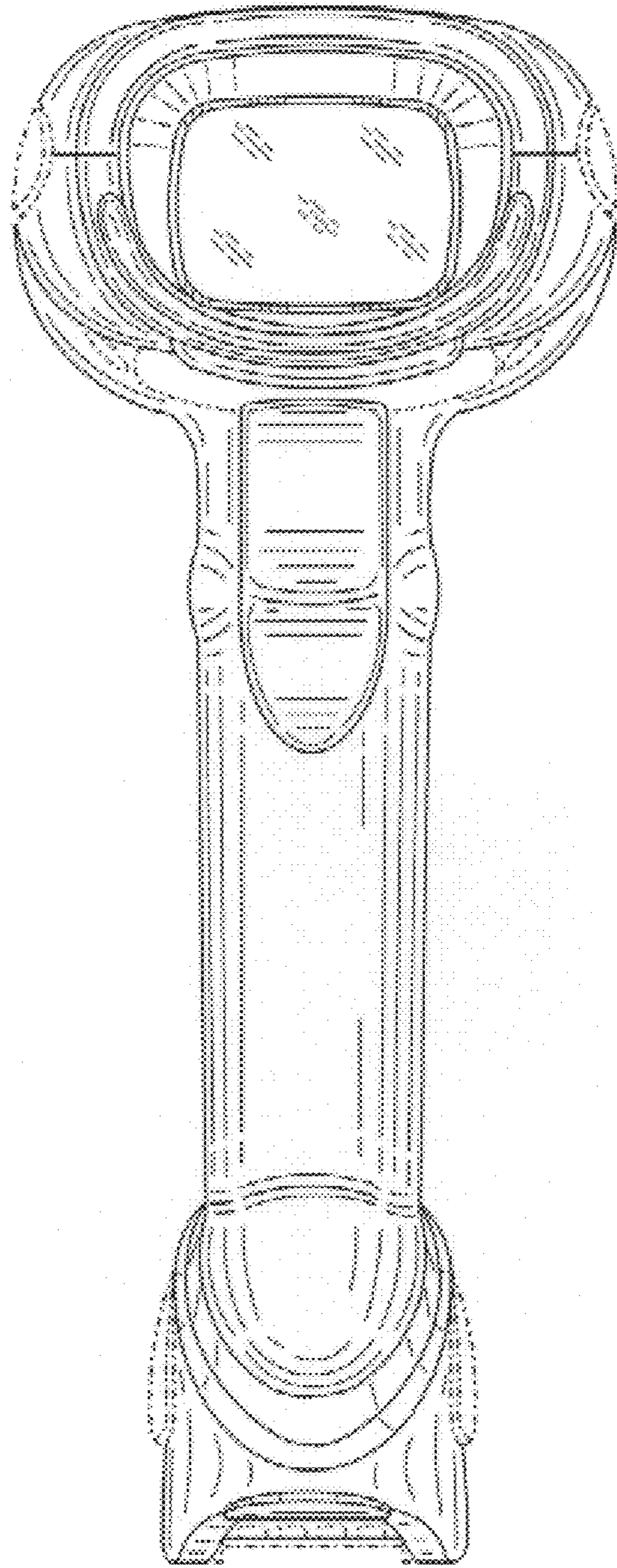


FIG. 1

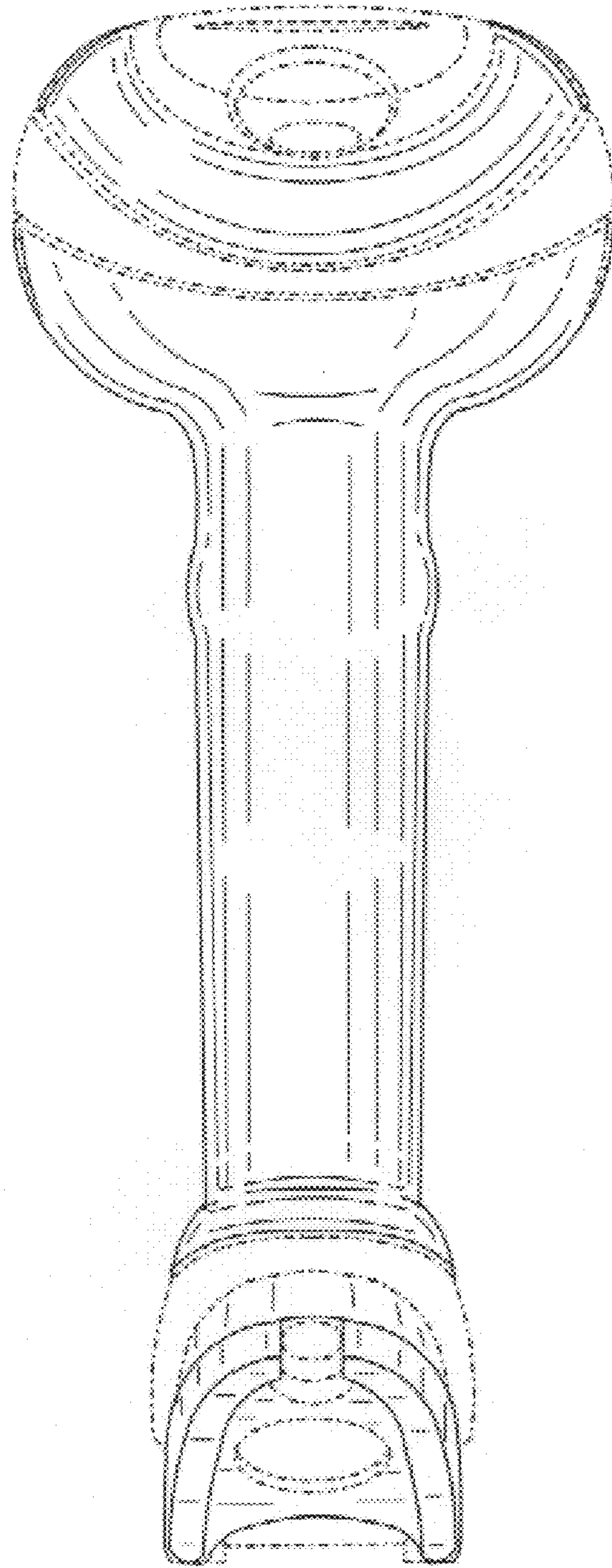


FIG. 2

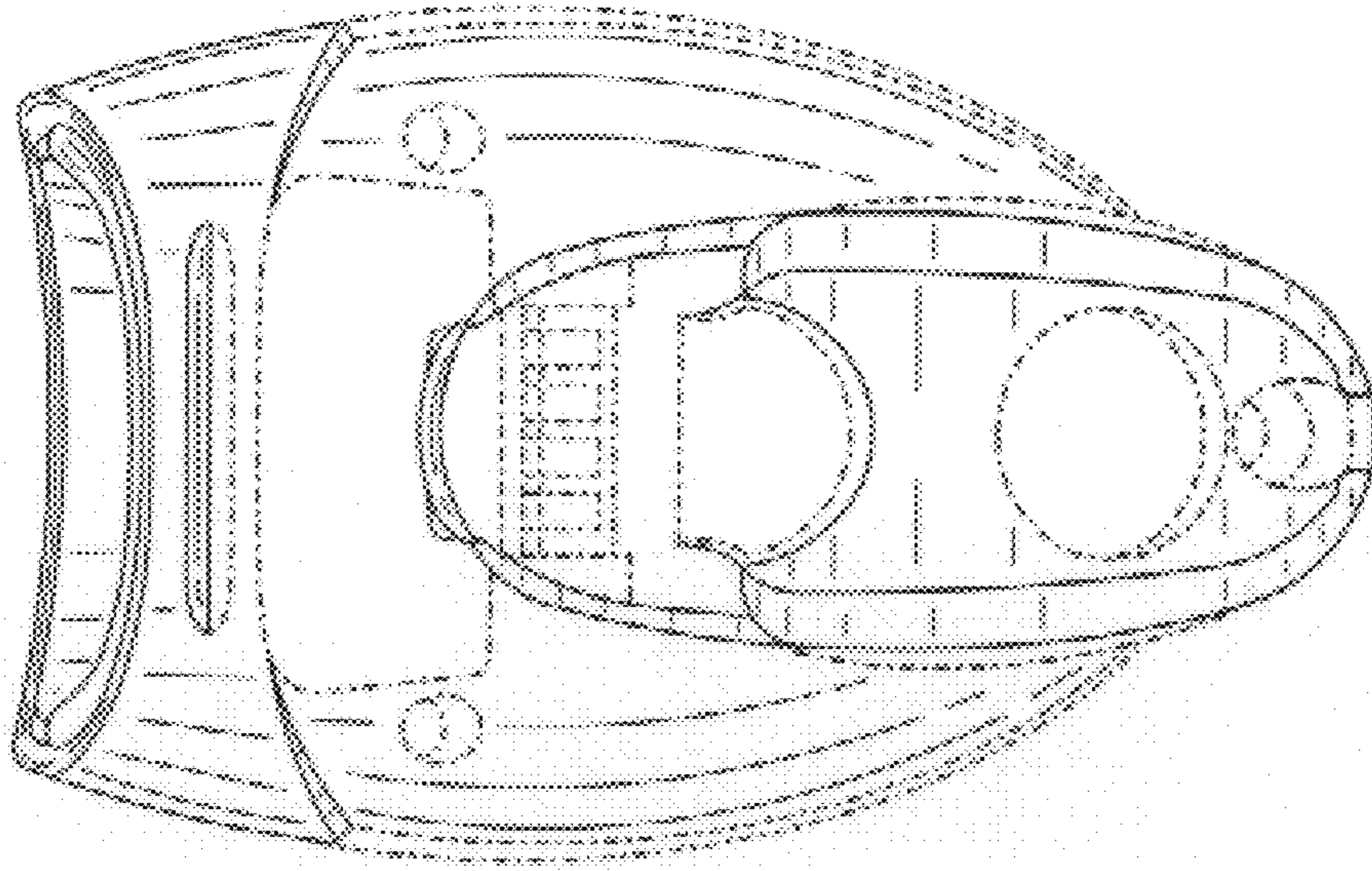


FIG. 4

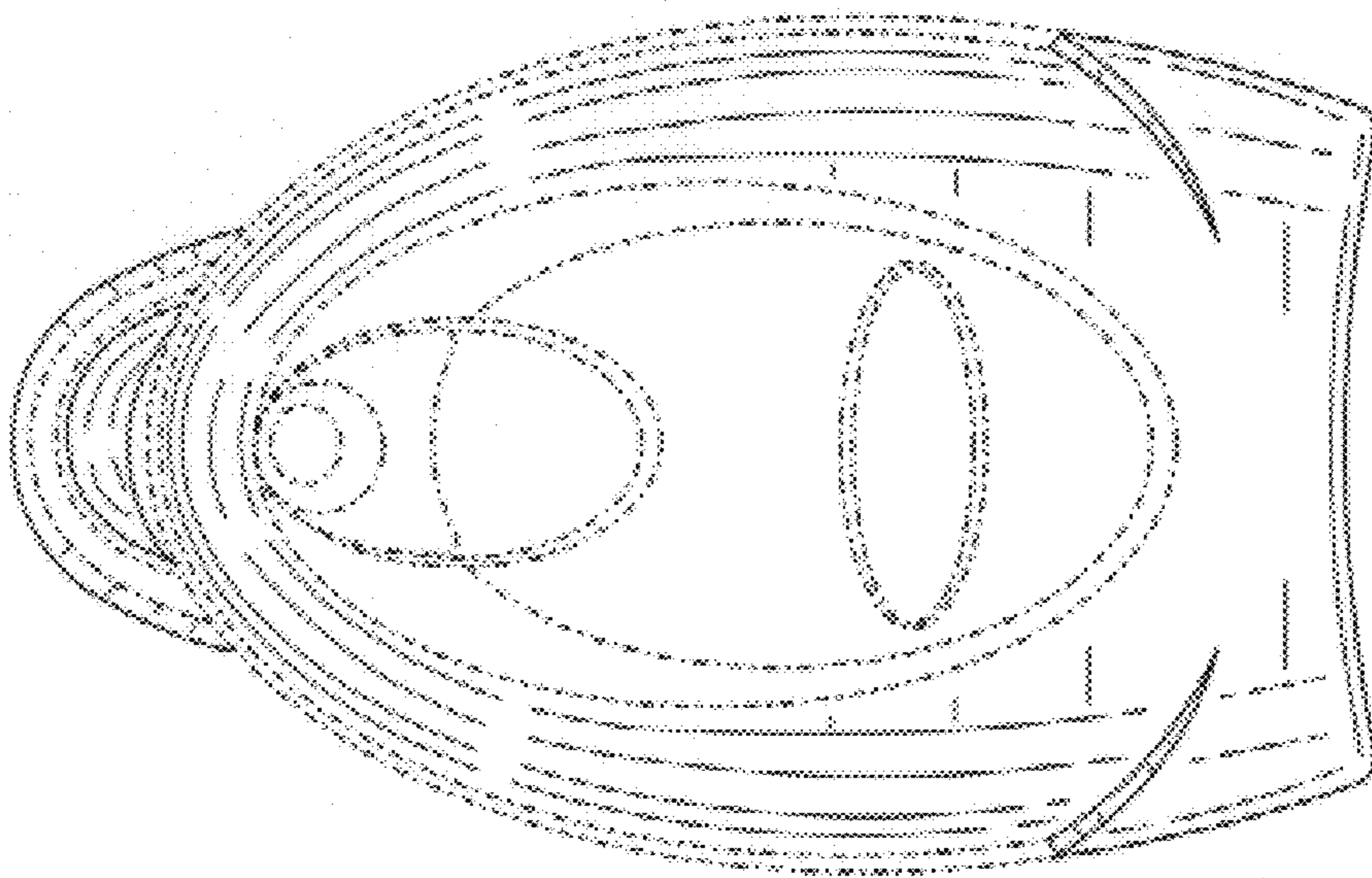


FIG. 3

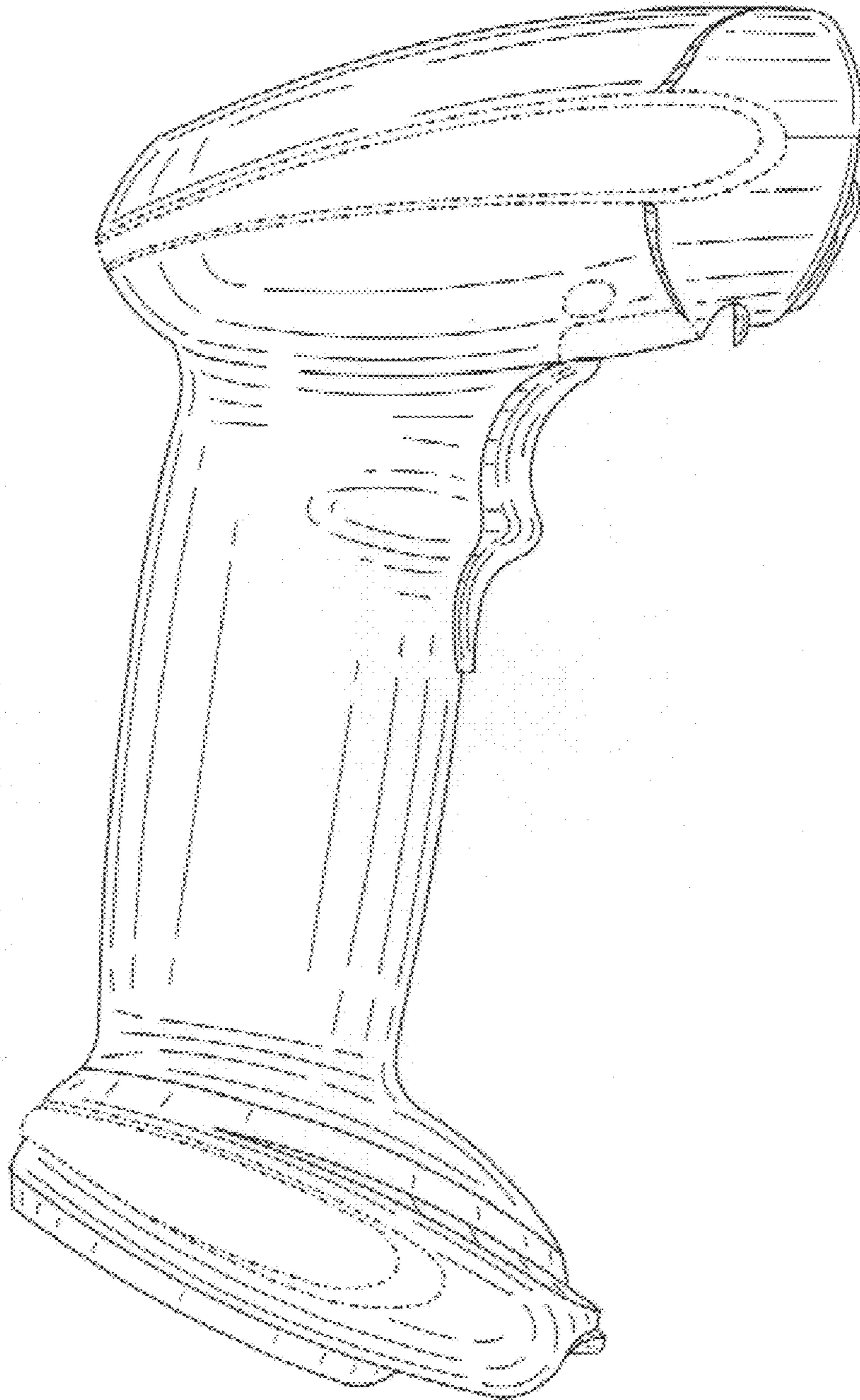


FIG. 5

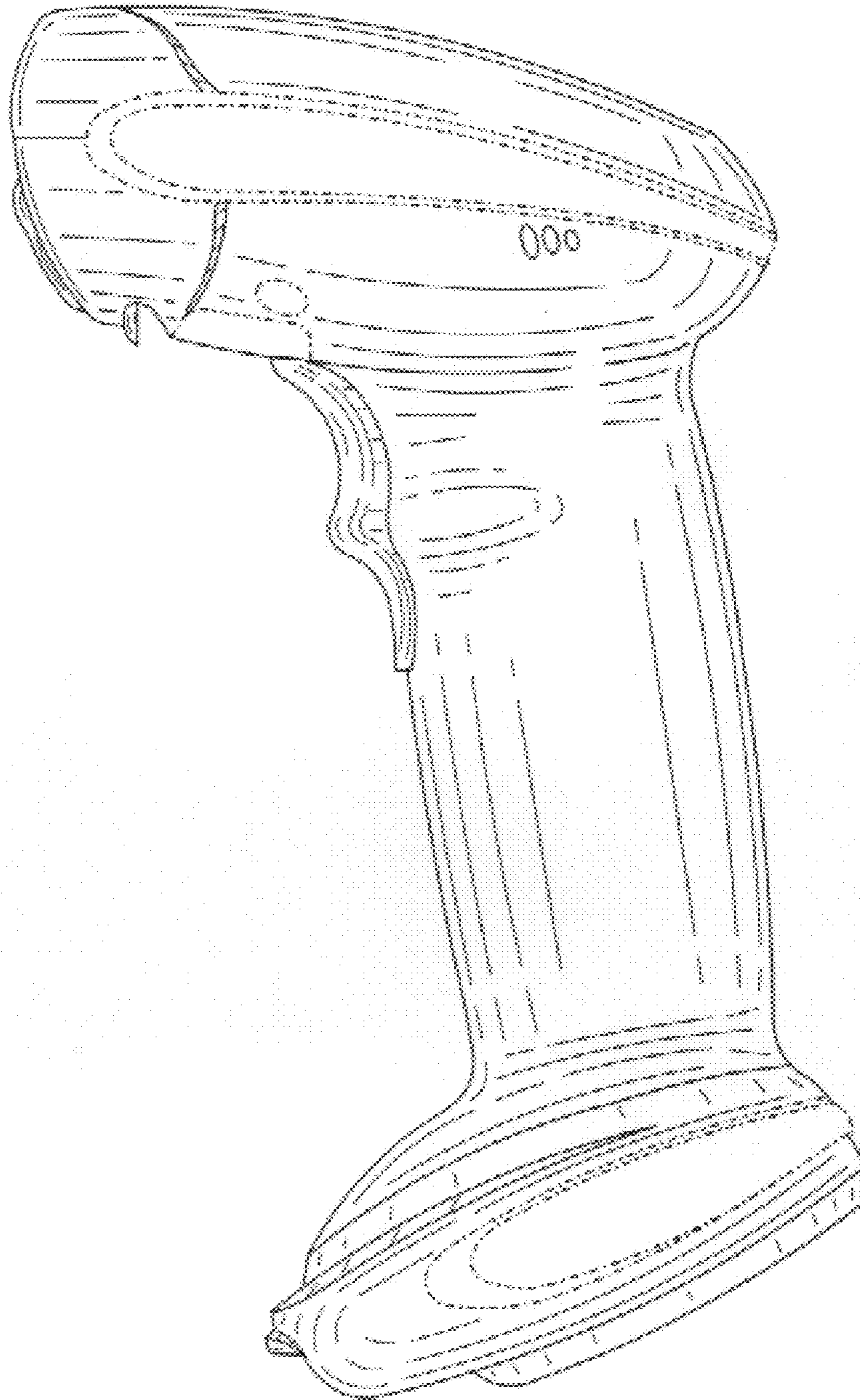


FIG. 6

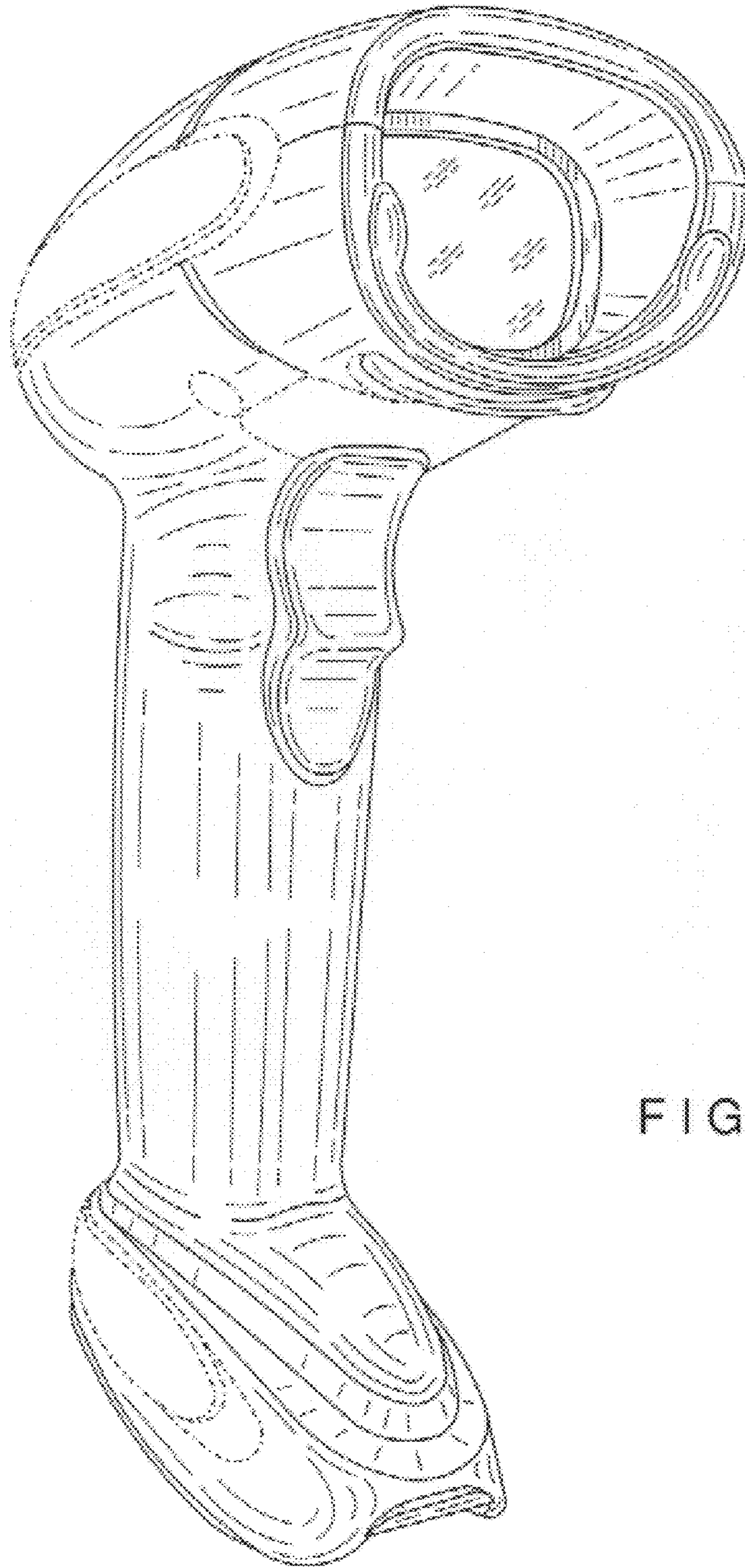


FIG. 7