



US00D574829S

(12) **United States Design Patent**
Shirai et al.

(10) **Patent No.:** **US D574,829 S**
(45) **Date of Patent:** **** Aug. 12, 2008**

(54) **SCANNER**

(75) Inventors: **Masahiro Shirai**, Tokyo (JP); **Kazuhide Sugiyama**, Yokohama (JP); **Teruhiko Kitamura**, Tachikawa (JP)

(73) Assignee: **Canon Denshi Kabushiki Kaisha**, Saitama-Ken (JP)

(**) Term: **14 Years**

(21) Appl. No.: **29/280,651**

(22) Filed: **Jun. 4, 2007**

(30) **Foreign Application Priority Data**

Dec. 5, 2006 (JP) 2006-033501

(51) **LOC (8) Cl.** **14-02**

(52) **U.S. Cl.** **D14/422**

(58) **Field of Classification Search** D14/421-425, D14/462-470, 340, 383-390, 335, 334; D18/36-39, D18/55, 50, 54, 53, 56, 14, 18, 19, 46-49; 355/81, 75, 78; 399/405, 367, 379, 380; 358/496-498, 524, 408, 514, 515, 474, 505; 235/470, 462.43, 482, 483; 400/613, 613.1-613.14, 400/691-694; 101/93.4, 269

See application file for complete search history.

(56) **References Cited**

U.S. PATENT DOCUMENTS

5,128,829 A * 7/1992 Loew 361/683
D333,304 S * 2/1993 Taniuchi et al. D14/467
D340,740 S * 10/1993 Kawashima D18/50
D344,513 S * 2/1994 Taniuchi et al. D14/144
D345,966 S * 4/1994 Perez D18/4.5
D373,576 S * 9/1996 Liggett D14/341

D399,524 S * 10/1998 Nakajima D18/50
D409,584 S * 5/1999 Fetherolf D14/422
D412,900 S * 8/1999 Utsugi D14/132
6,053,412 A * 4/2000 Wike et al. 235/462.43
D443,878 S * 6/2001 Sakata et al. D14/422
D447,137 S * 8/2001 Hultzman D14/336
D458,255 S * 6/2002 Hsu D14/373
D463,485 S * 9/2002 Yoshida et al. D18/50
D509,508 S * 9/2005 Ko et al. D14/420
D512,065 S * 11/2005 Ko et al. D14/420
2003/0059127 A1 * 3/2003 Khovaylo et al. 382/321
2003/0063337 A1 * 4/2003 Shirai et al. 358/498

* cited by examiner

Primary Examiner—Melanie Tung

Assistant Examiner—Susan Moon Lee

(74) *Attorney, Agent, or Firm*—Fitzpatrick, Cella, Harper & Scinto

(57) **CLAIM**

The ornamental design for a scanner, as shown and described.

DESCRIPTION

FIG. 1 is a perspective view of a scanner showing our new design;

FIG. 2 is a front view thereof;

FIG. 3 is a top plan view thereof;

FIG. 4 is a bottom view thereof;

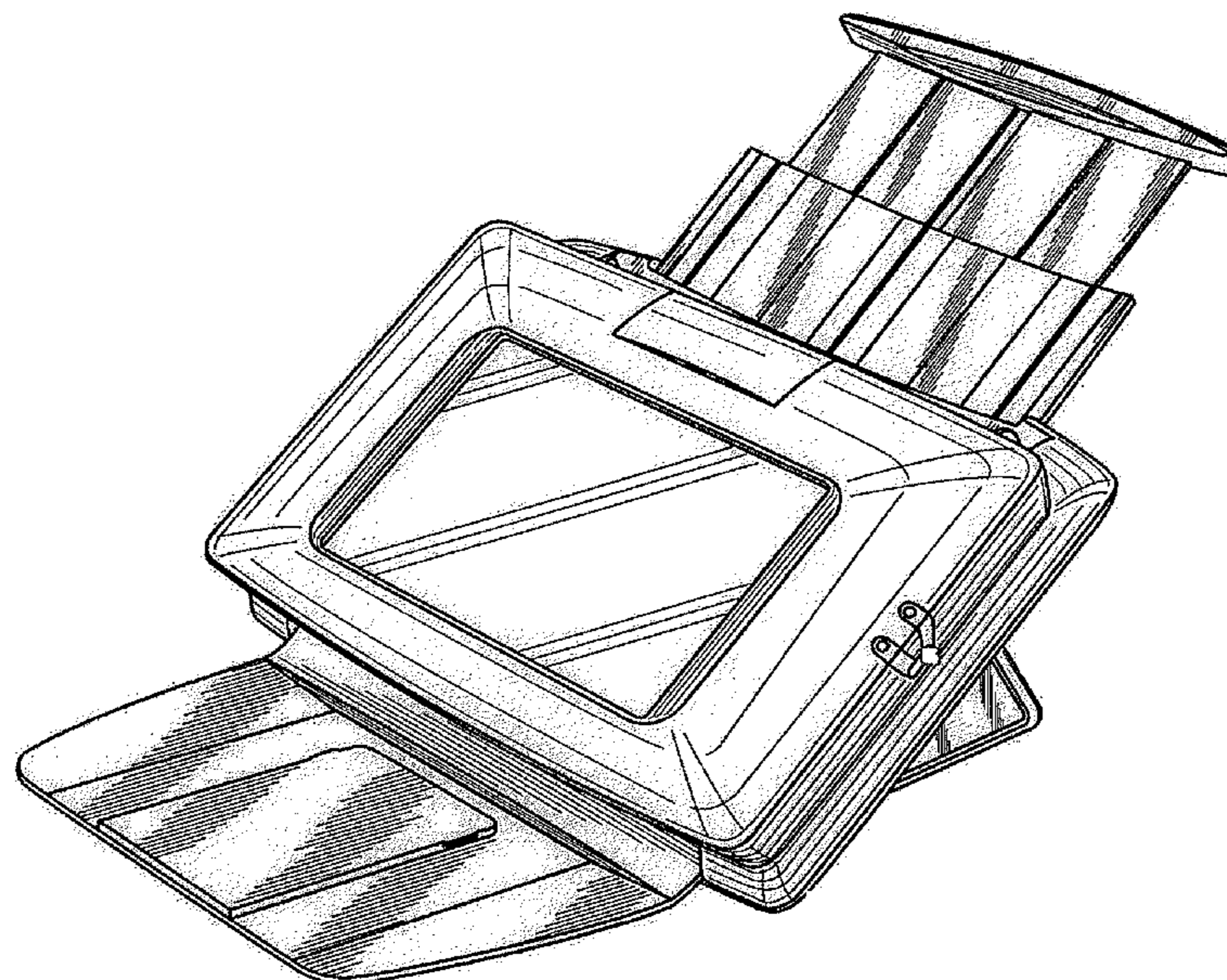
FIG. 5 is a right side view thereof;

FIG. 6 is a left side view thereof;

FIG. 7 is a back view thereof; and,

FIG. 8 is a reduced perspective view thereof with the lid open and the placing tray extended.

1 Claim, 8 Drawing Sheets



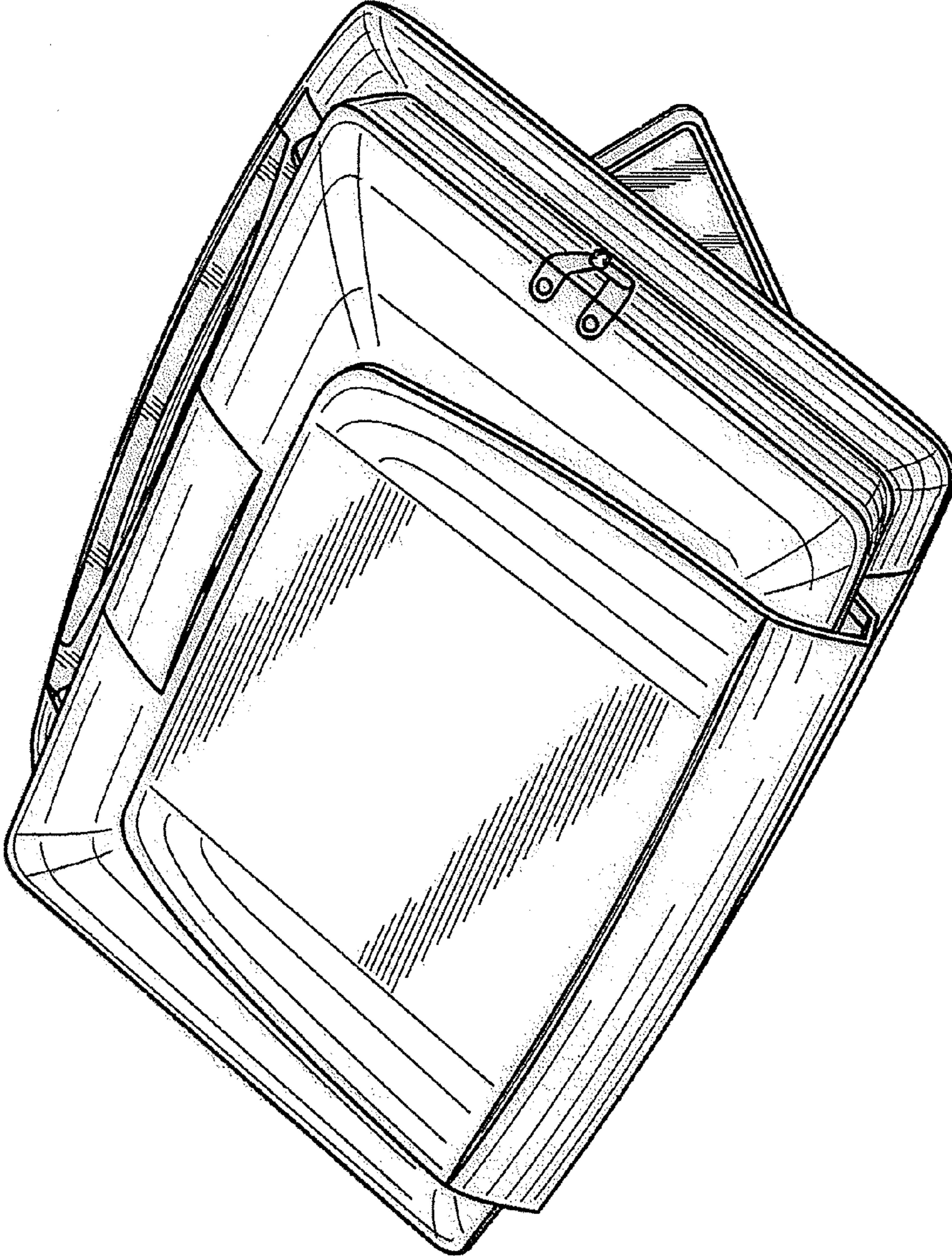


Fig. 1

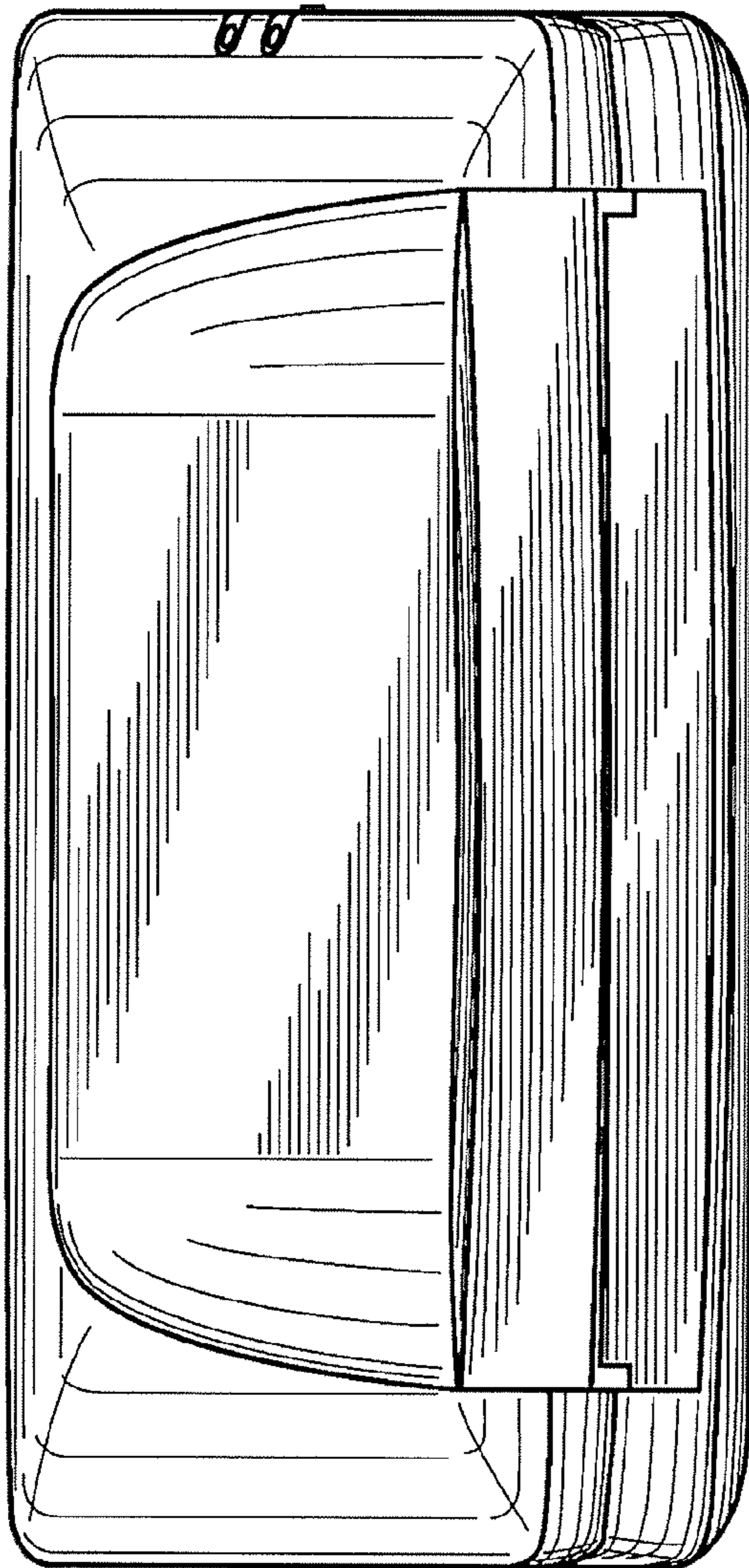


Fig. 2

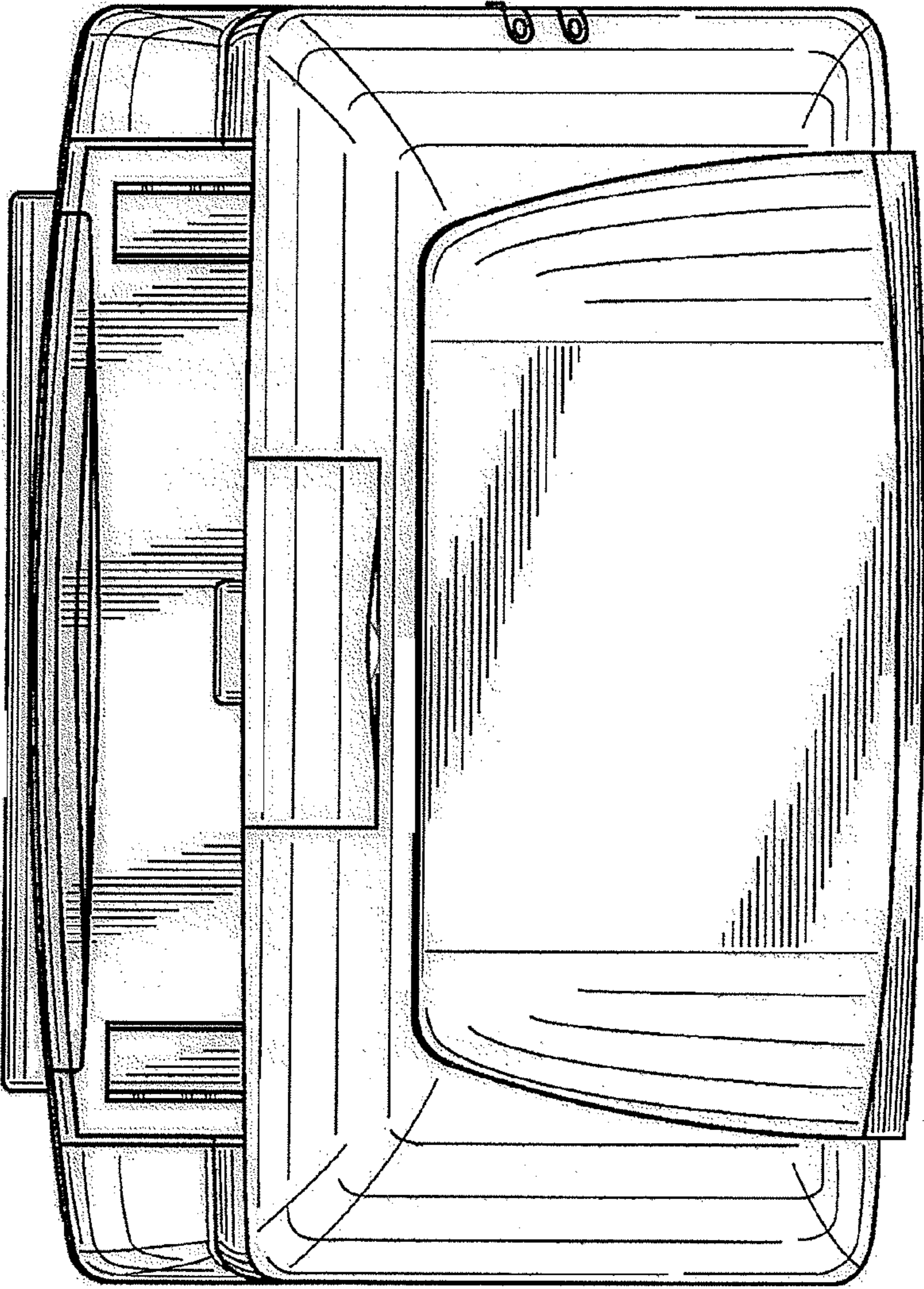


Fig. 3

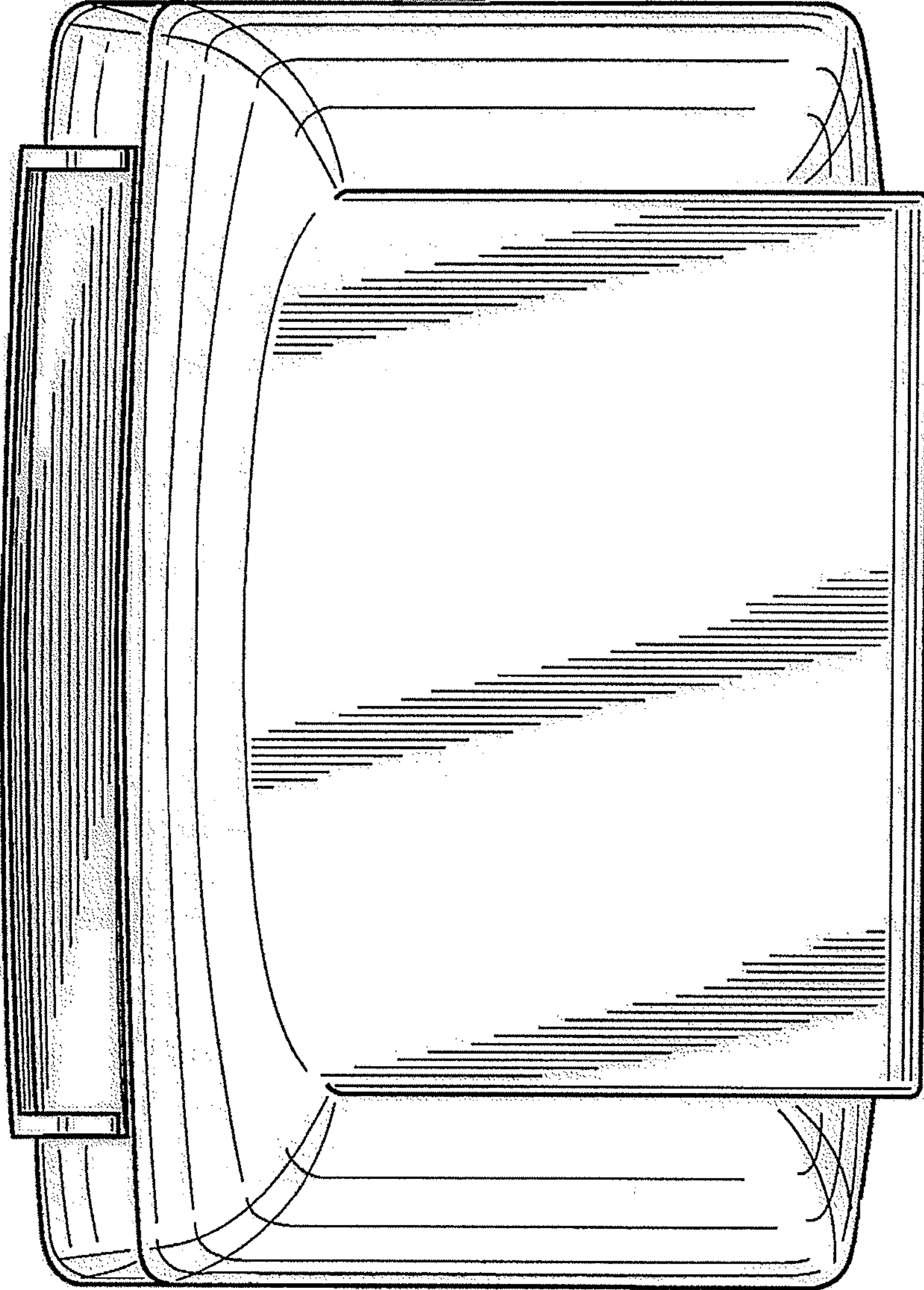


Fig. 4

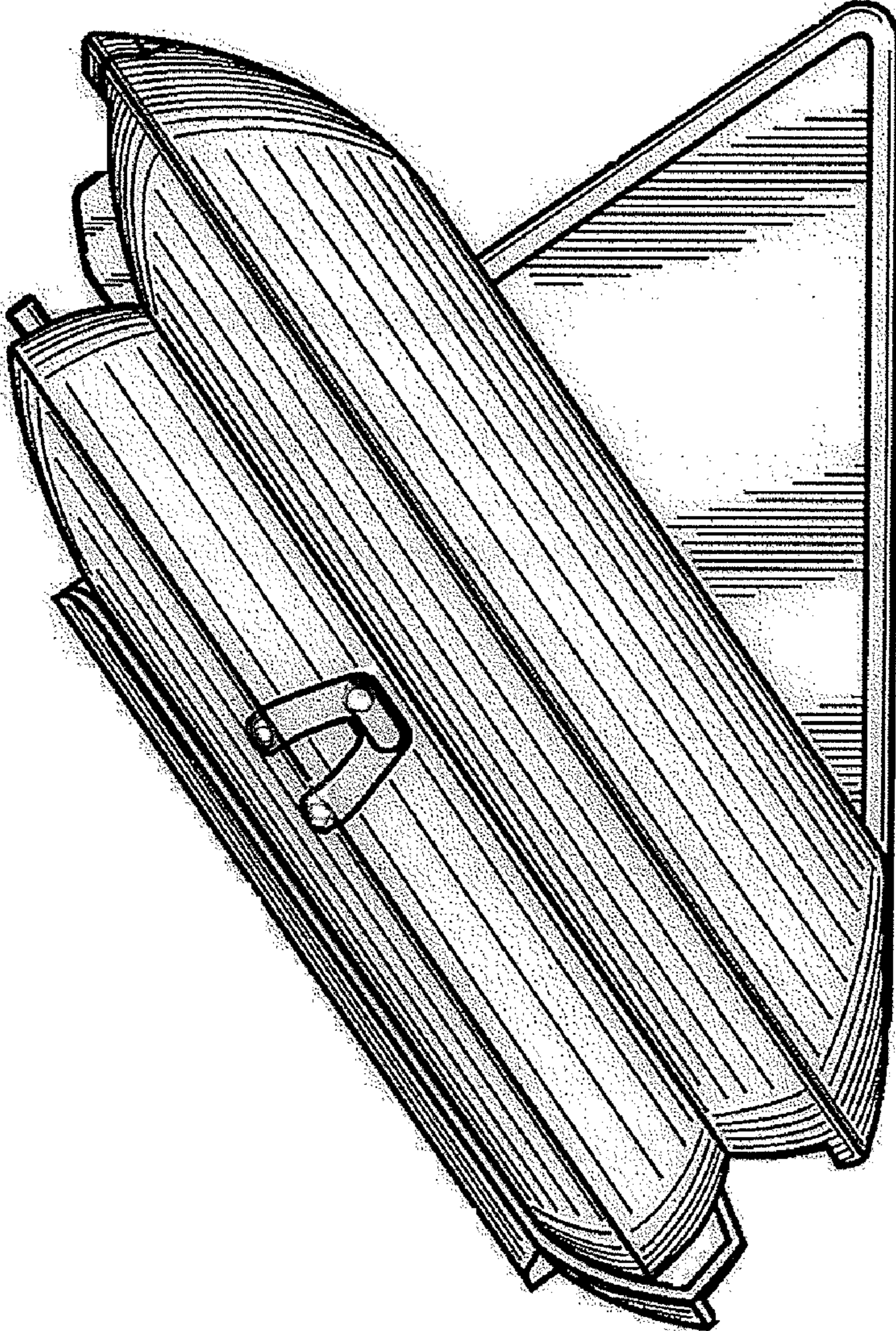


Fig. 5

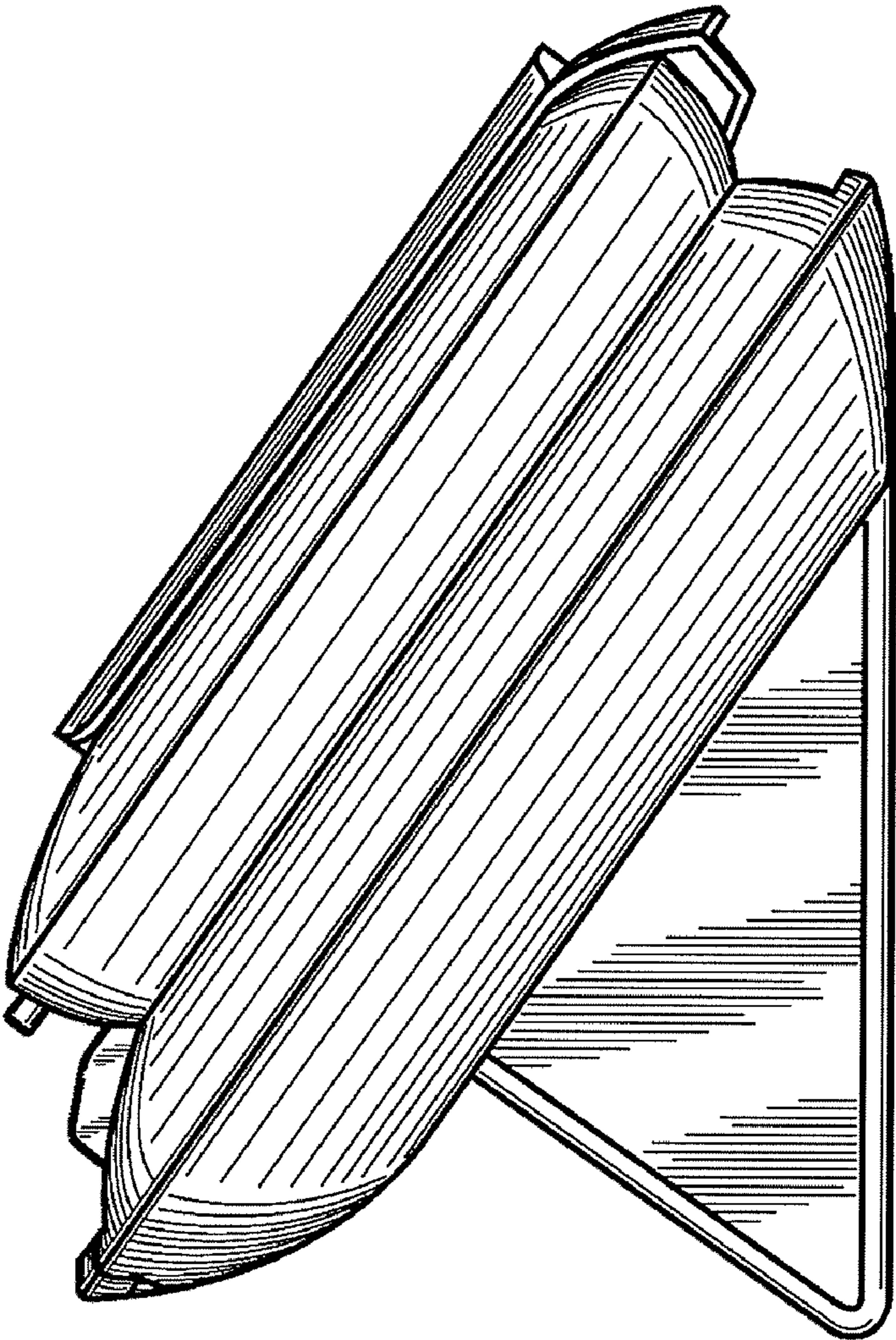


Fig. 6

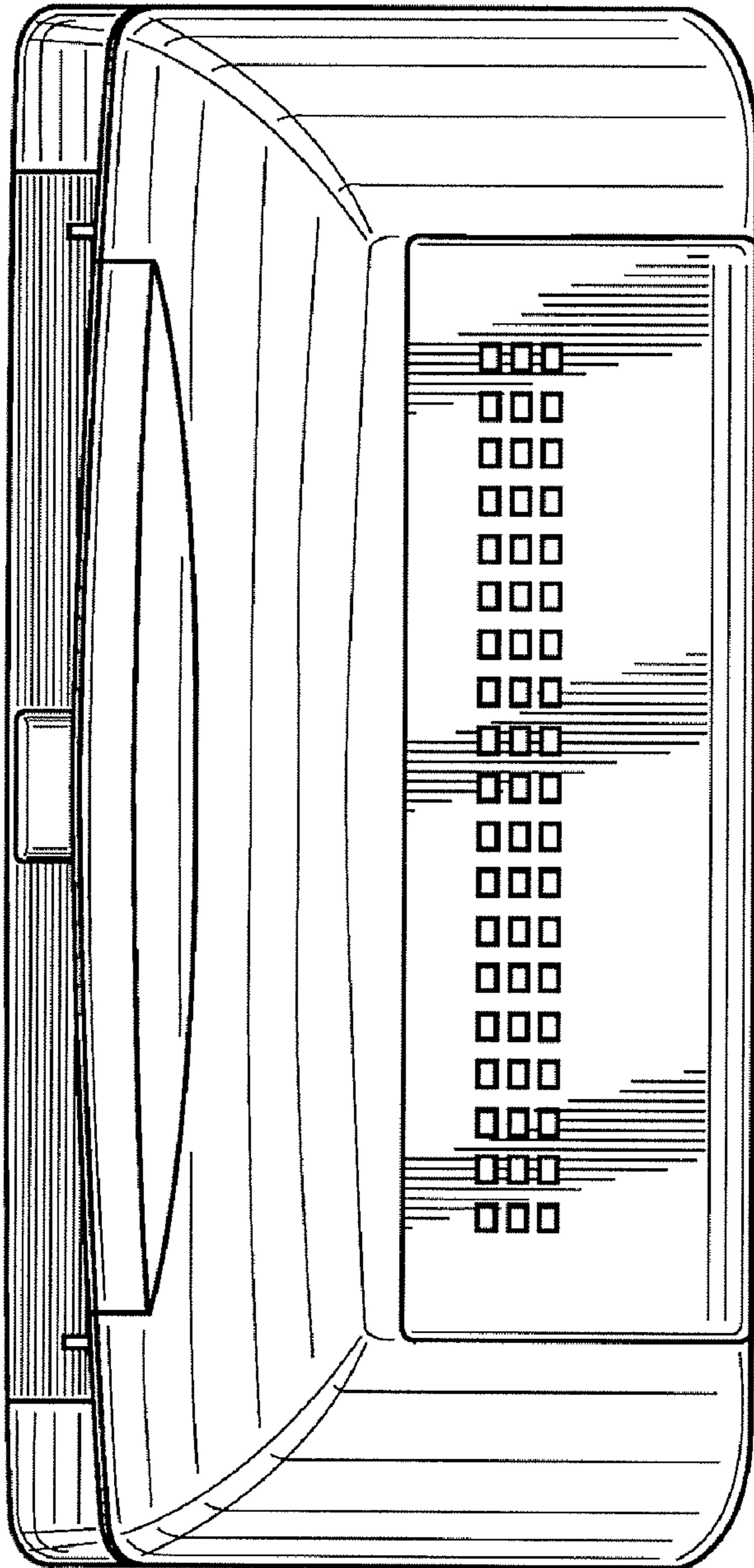


Fig. 7

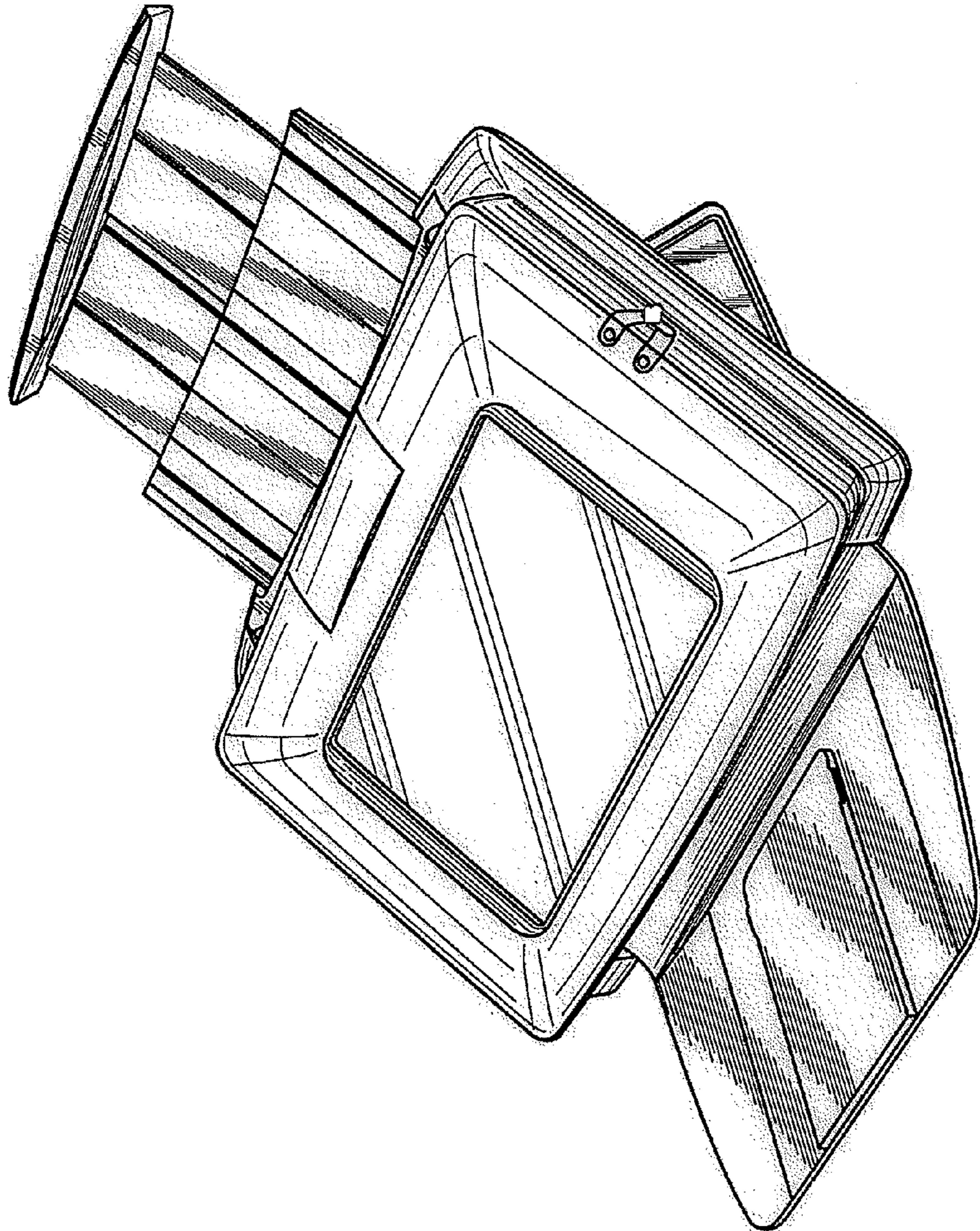


Fig. 8