



US00D574823S

(12) **United States Design Patent**
Wung

(10) **Patent No.:** **US D574,823 S**

(45) **Date of Patent:** **** Aug. 12, 2008**

(54) **VERSATILE MULTIMEDIA GATEWAY BOX**

(75) Inventor: **Peter Wung**, Redmond, WA (US)

(73) Assignee: **KCS Digital, Inc.** (TW)

(**) Term: **14 Years**

(21) Appl. No.: **29/270,225**

(22) Filed: **Dec. 19, 2006**

(51) **LOC (8) Cl.** **14-02**

(52) **U.S. Cl.** **D14/357; D14/240**

(58) **Field of Classification Search** D14/301,
D14/313, 348-9, 351-8, 363, 368, 370, 432,
D14/435-6, 496, 137, 155, 167-168, 240,
D14/242, 299; 711/100, 115; 361/685, 725,
361/752; 369/272.1, 273, 75.11; 360/133,
360/97.01, 97.03; D13/149, 184; D3/201,
D3/273

See application file for complete search history.

(56) **References Cited**

U.S. PATENT DOCUMENTS

D221,767 S *	9/1971	Genaro et al.	D14/149
D271,311 S *	11/1983	Cheng	D21/332
D366,285 S *	1/1996	Tada	D21/332
D374,223 S *	10/1996	Herrmann et al.	D14/125
D381,647 S *	7/1997	Terng	D14/358
5,687,387 A *	11/1997	Endejan et al.	710/2

D433,382 S *	11/2000	Lytel	D13/123
D484,496 S *	12/2003	Watanabe	D14/240
D486,150 S *	2/2004	Chung	D14/356
D486,481 S *	2/2004	Chen	D14/242
D493,165 S *	7/2004	Kiple et al.	D14/242
D529,904 S *	10/2006	Yeo	D14/240
2007/0097657 A1 *	5/2007	Huang	361/752

* cited by examiner

Primary Examiner—Robin V. Webster

Assistant Examiner—Karen E Kearney

(74) *Attorney, Agent, or Firm*—HersHKovitz & Associates;
Abe HersHKovitz

(57) **CLAIM**

The ornamental design for a versatile multimedia gateway box, as shown and described.

DESCRIPTION

FIG. 1 is a perspective view of a versatile multimedia gateway box showing my new design;

FIG. 2 is a front view thereof;

FIG. 3 is a rear view thereof;

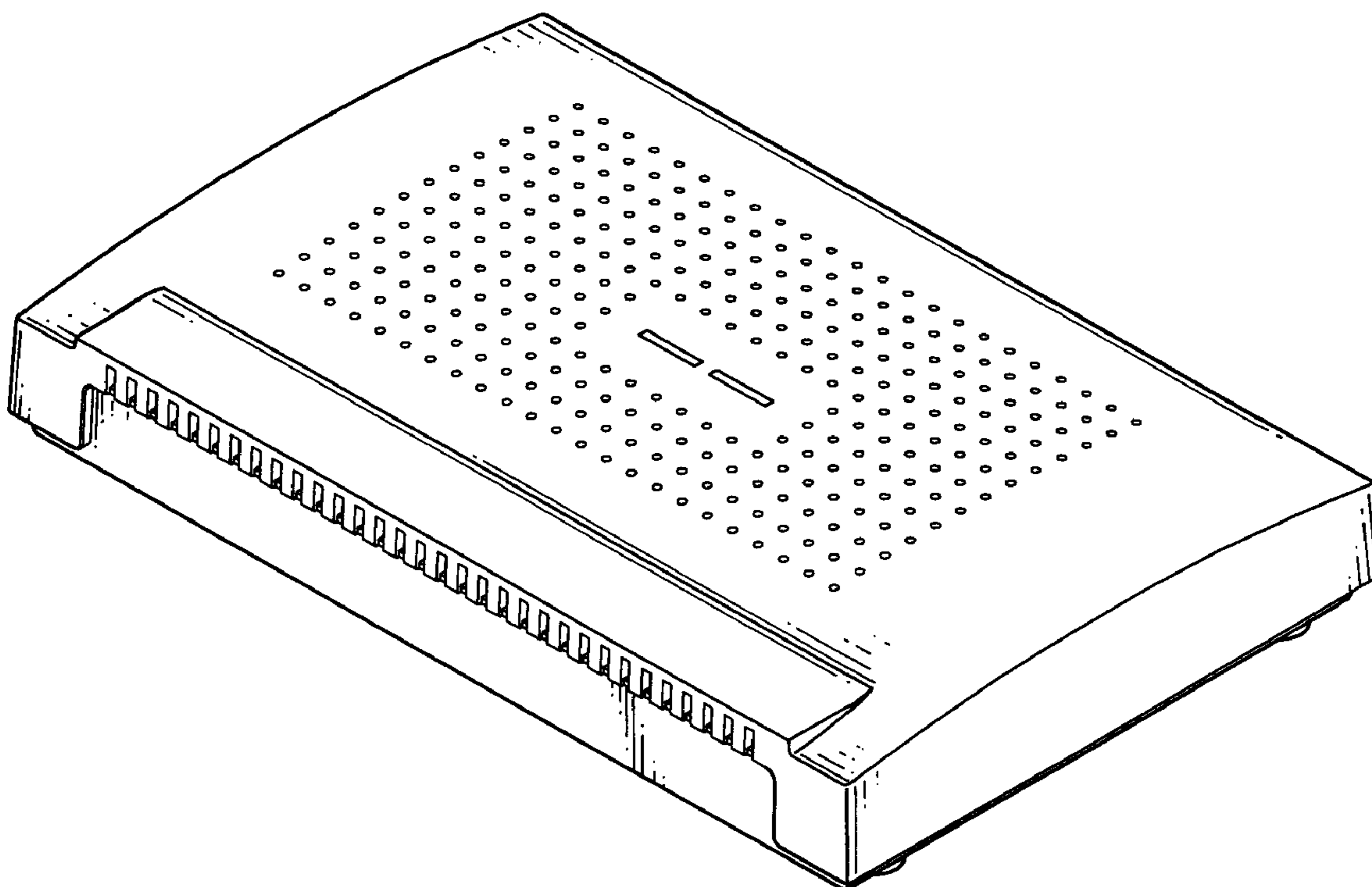
FIG. 4 is a left side view thereof;

FIG. 5 is a right side view thereof;

FIG. 6 is a top view thereof; and,

FIG. 7 is a bottom view thereof.

1 Claim, 4 Drawing Sheets



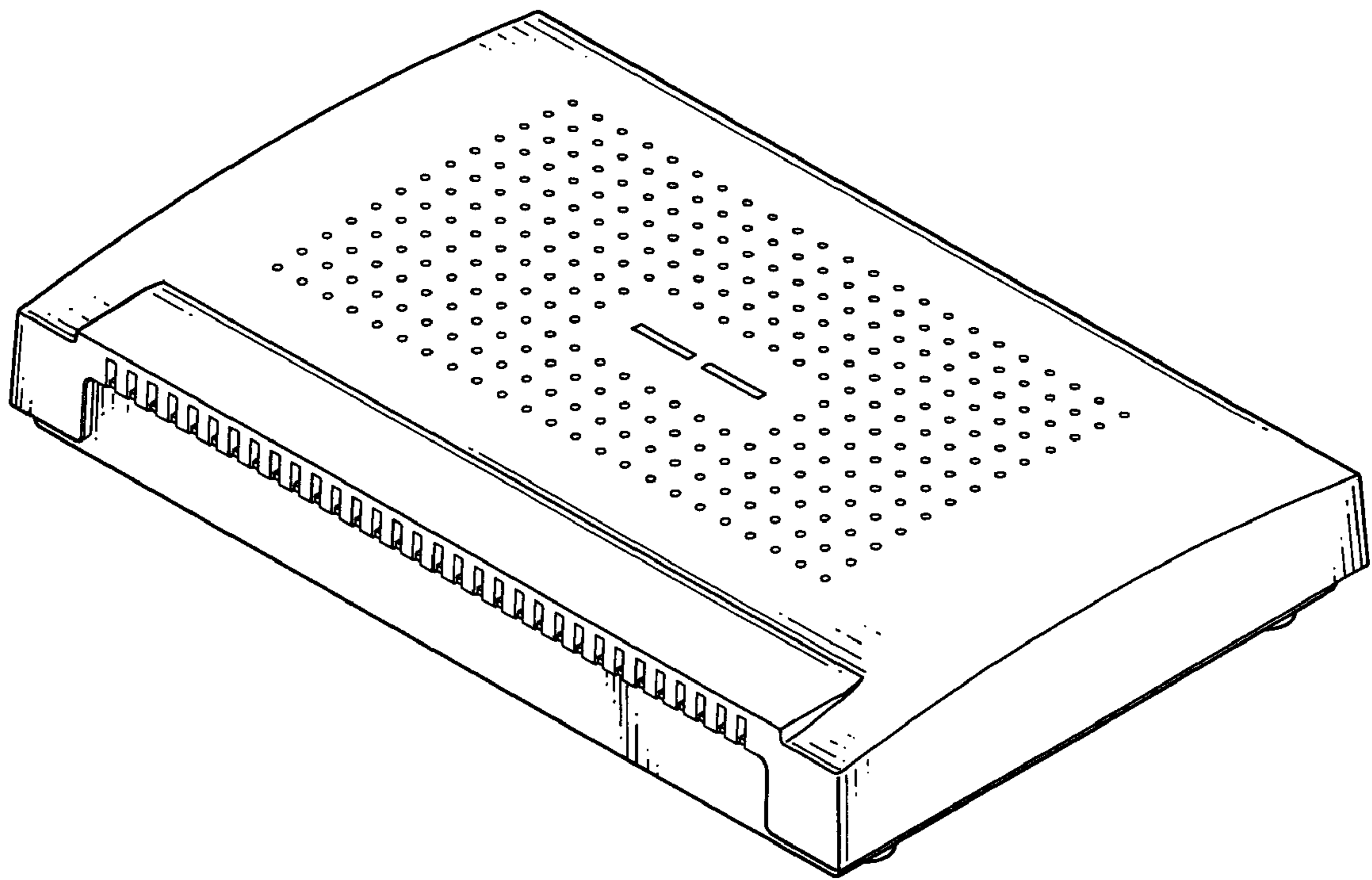


FIG. 1



FIG. 2

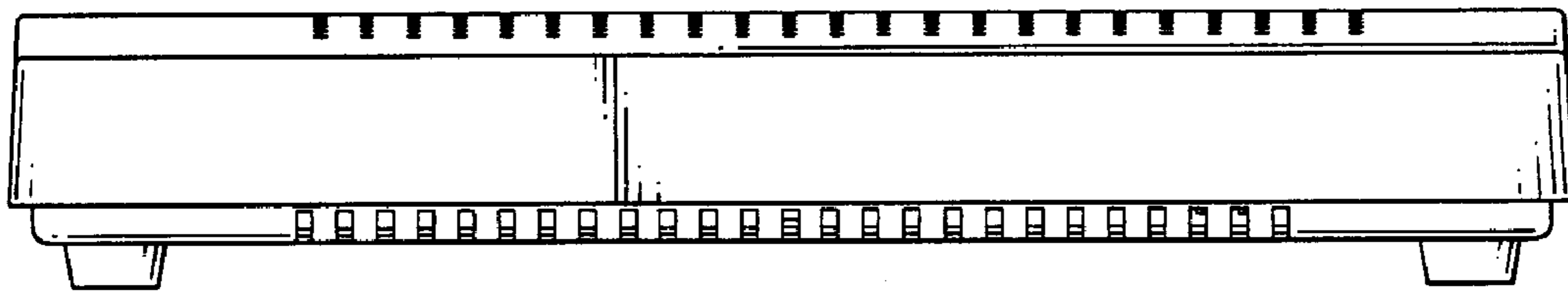


FIG. 3

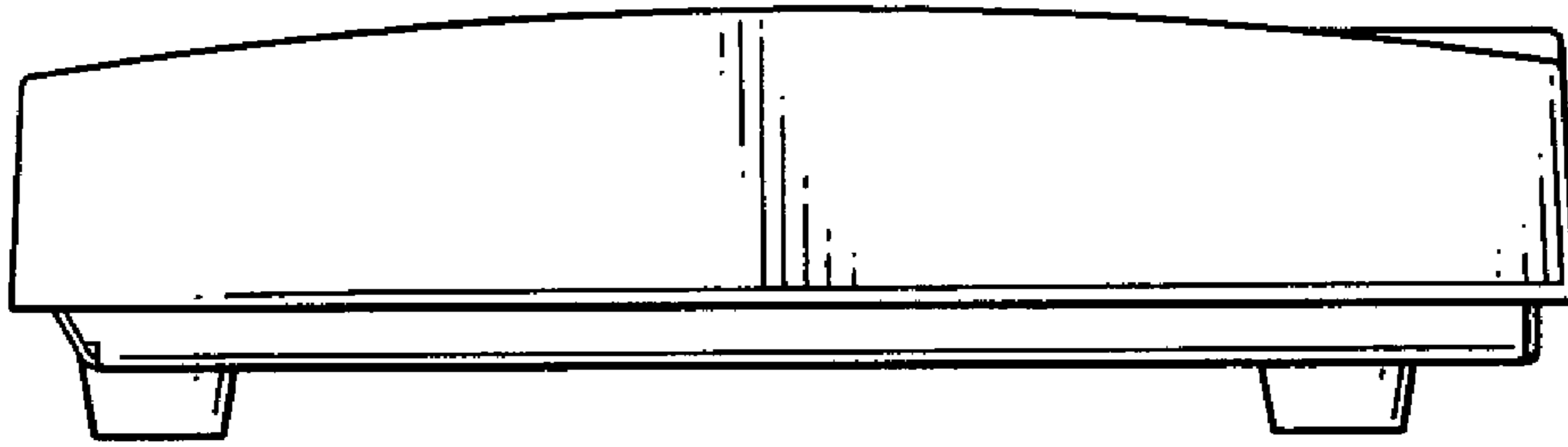


FIG. 4

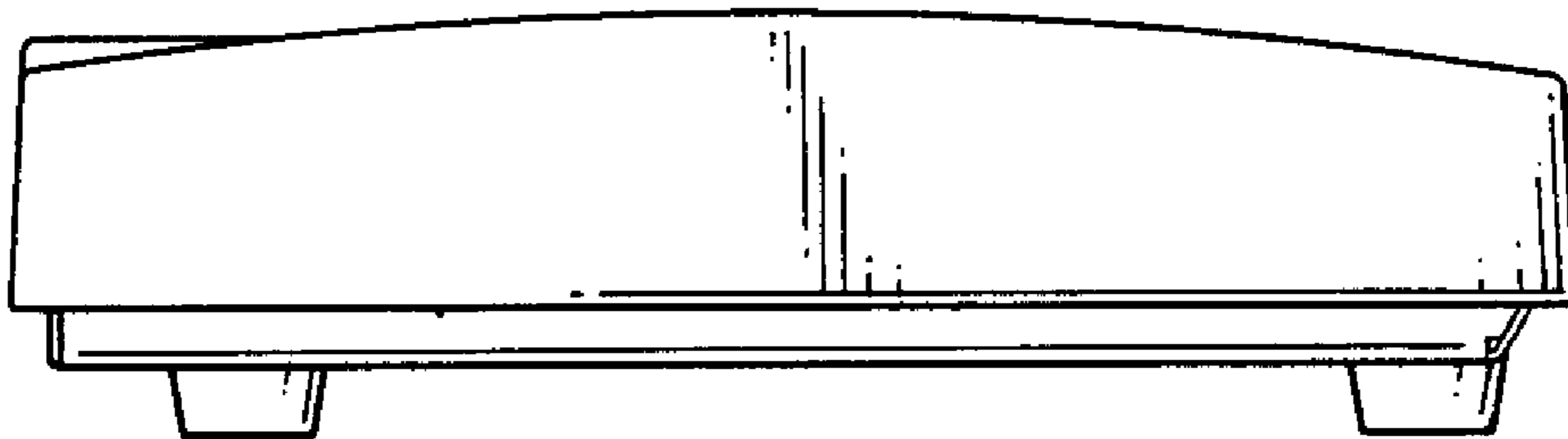


FIG. 5

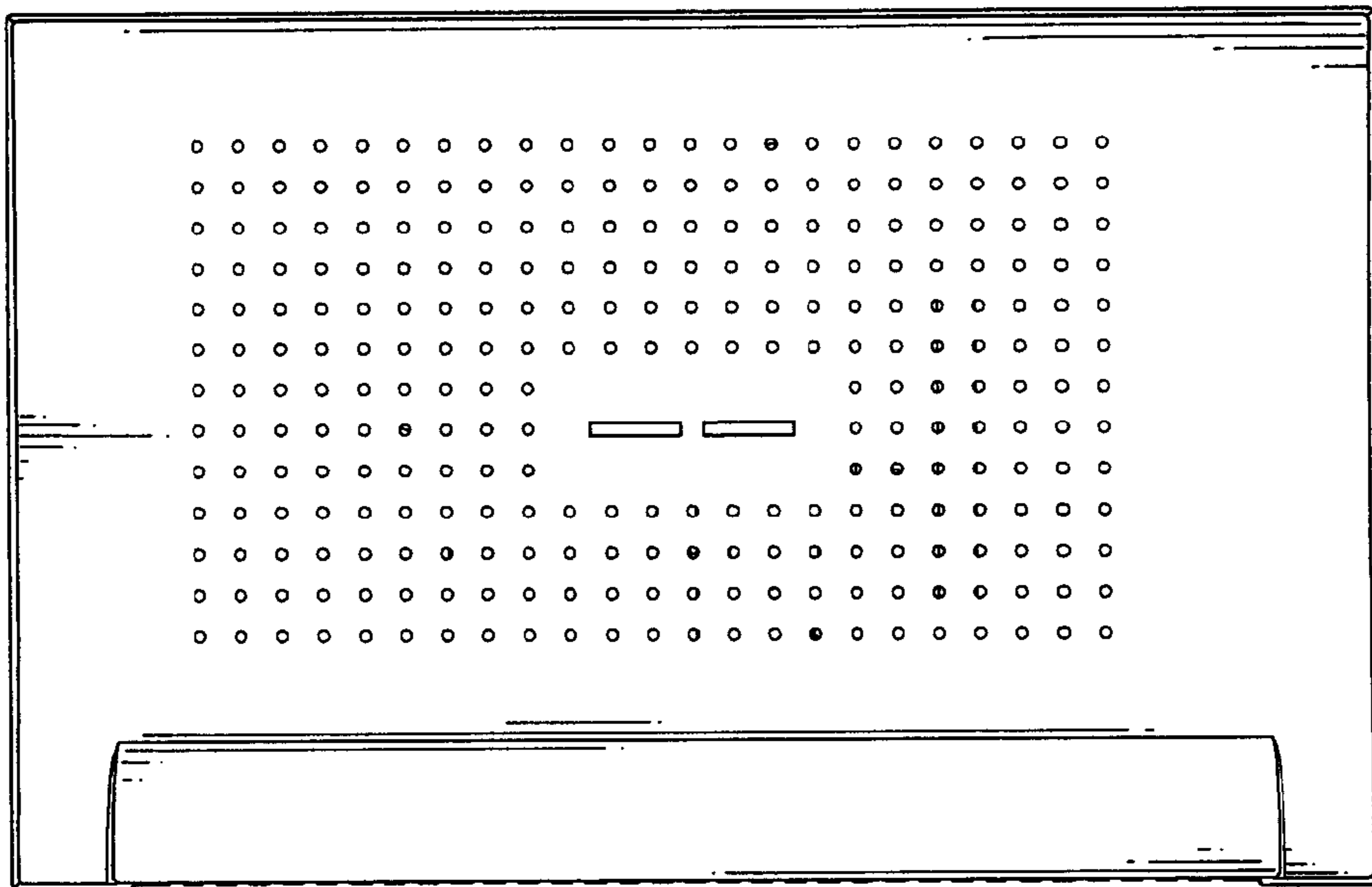


FIG. 6

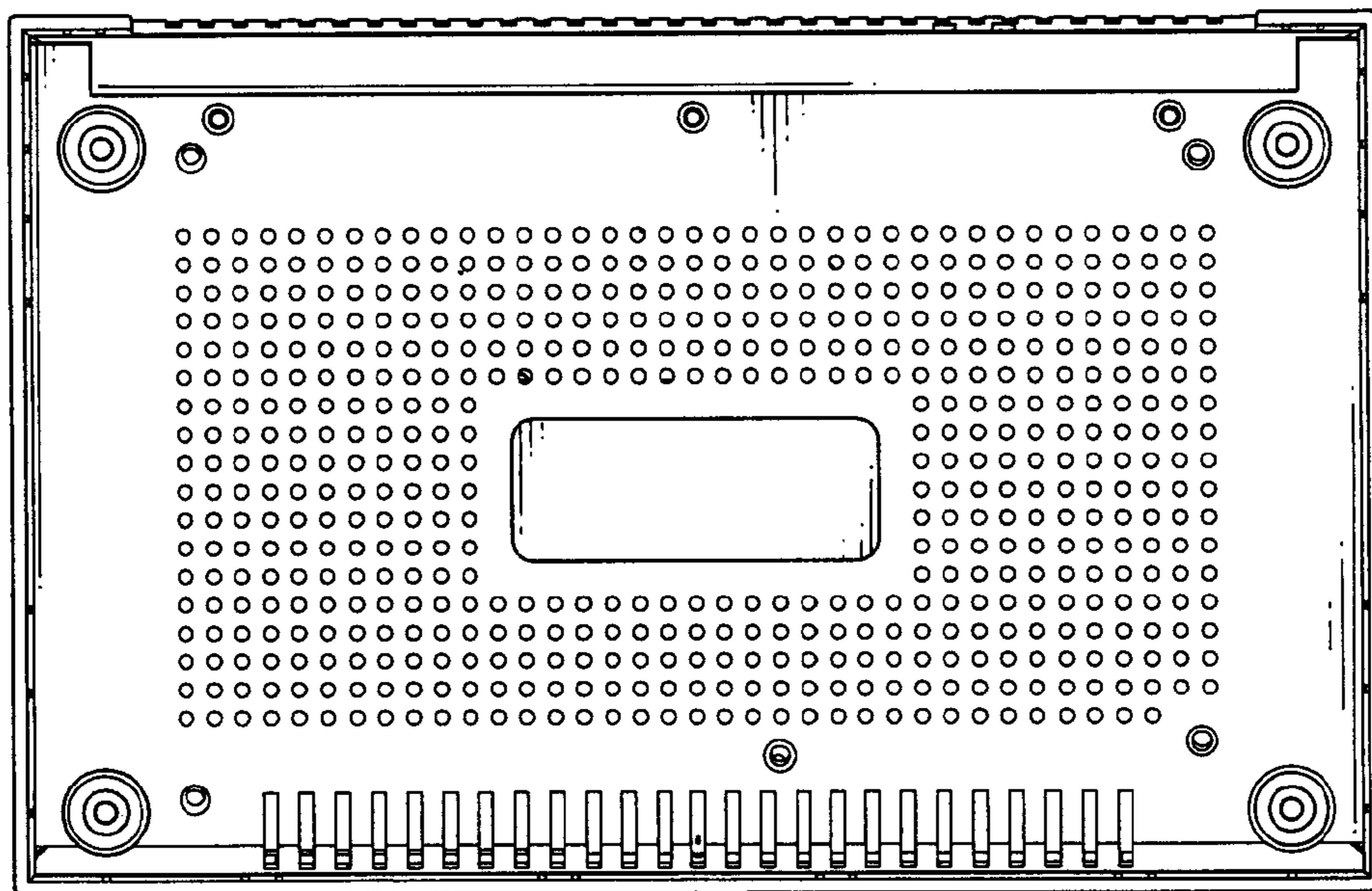


FIG. 7