



US00D574822S

(12) **United States Design Patent**  
**Bhavnani**

(10) **Patent No.:** **US D574,822 S**

(45) **Date of Patent:** **\*\* Aug. 12, 2008**

(54) **FLASH DRIVE RADIO**

(75) Inventor: **Dilip Bhavnani**, Beverly Hills, CA (US)

(73) Assignee: **Sun Coast Merchandise Corporation**,  
Commerce, CA (US)

(\*\*) Term: **14 Years**

(21) Appl. No.: **29/249,364**

(22) Filed: **Oct. 3, 2006**

(51) **LOC (8) Cl.** ..... **14-02**

(52) **U.S. Cl.** ..... **D14/356; D14/168; D14/171;**  
D10/2; D10/15

(58) **Field of Classification Search** ..... D14/436,  
D14/411, 384-385, 518, 348, 432-435, 299,  
D14/167-168, 402, 242, 356, 358, 496, 240,  
D14/137, 155-156, 170-171, 197-198; 455/344;  
710/300-301; 361/684-686; 439/518, 139-141,  
439/131, 607, 133; 365/63

See application file for complete search history.

(56) **References Cited**

**U.S. PATENT DOCUMENTS**

4,955,083	A	9/1990	Phillips et al.	
5,796,728	A	8/1998	Rondeau et al.	
6,008,819	A	12/1999	Robson et al.	
6,026,027	A	2/2000	Terrell, II et al.	
D434,401	S *	11/2000	Haase et al.	D14/137
D463,426	S *	9/2002	Cheng	D14/356
D467,921	S *	12/2002	Lin	D14/385
6,522,552	B1	2/2003	Lee	
D481,389	S *	10/2003	Owen	D14/358
6,639,791	B2 *	10/2003	Su	361/685
D490,068	S *	5/2004	Chen	D14/156
D494,571	S *	8/2004	Polito	D14/240

6,804,749	B2	10/2004	Chien et al.	
6,990,489	B2	1/2006	Kondo et al.	
D517,556	S *	3/2006	Cho	D14/433
D524,310	S *	7/2006	Kent et al.	D14/356
D532,783	S *	11/2006	Yu	D14/356
D537,978	S *	3/2007	Chen	D14/137
2005/0130471	A1 *	6/2005	Regen et al.	439/131
2005/0210168	A1	9/2005	Chen et al.	
2005/0270756	A1	12/2005	Kochis et al.	
2006/0149895	A1	7/2006	Pocrass	
2008/0133832	A1 *	6/2008	Bhavnani	711/115

\* cited by examiner

*Primary Examiner*—Robin V. Webster

*Assistant Examiner*—Karen E Kearney

(74) *Attorney, Agent, or Firm*—The Soni Law Firm

(57) **CLAIM**

The ornamental design for a flash drive radio, as shown and described.

**DESCRIPTION**

FIG. 1 is a front side bottom perspective view of my new design;

FIG. 2 is a front elevational view thereof;

FIG. 3 is a left side elevational view thereof;

FIG. 4 is a right side elevational view thereof;

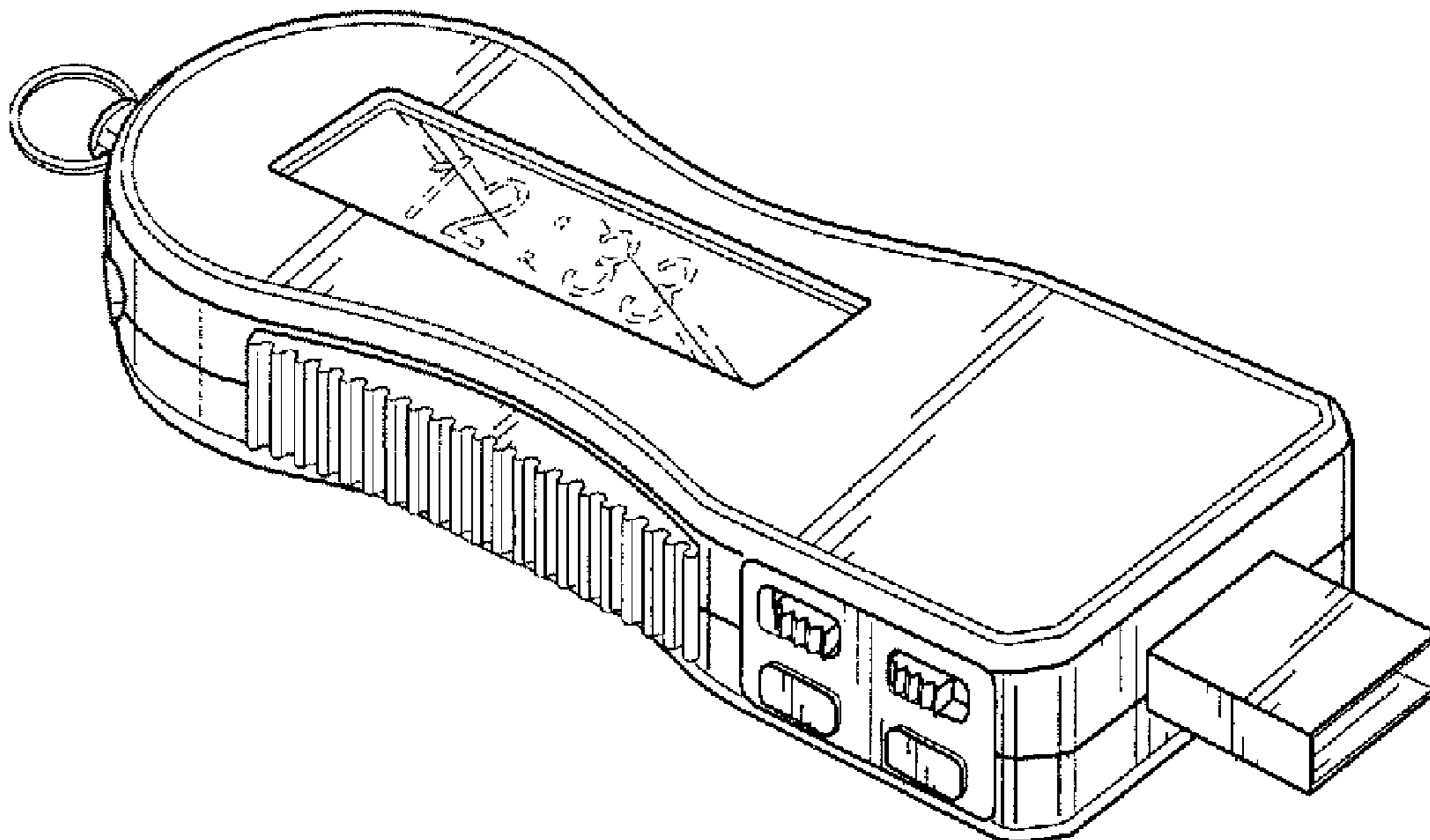
FIG. 5 is a top plan view thereof;

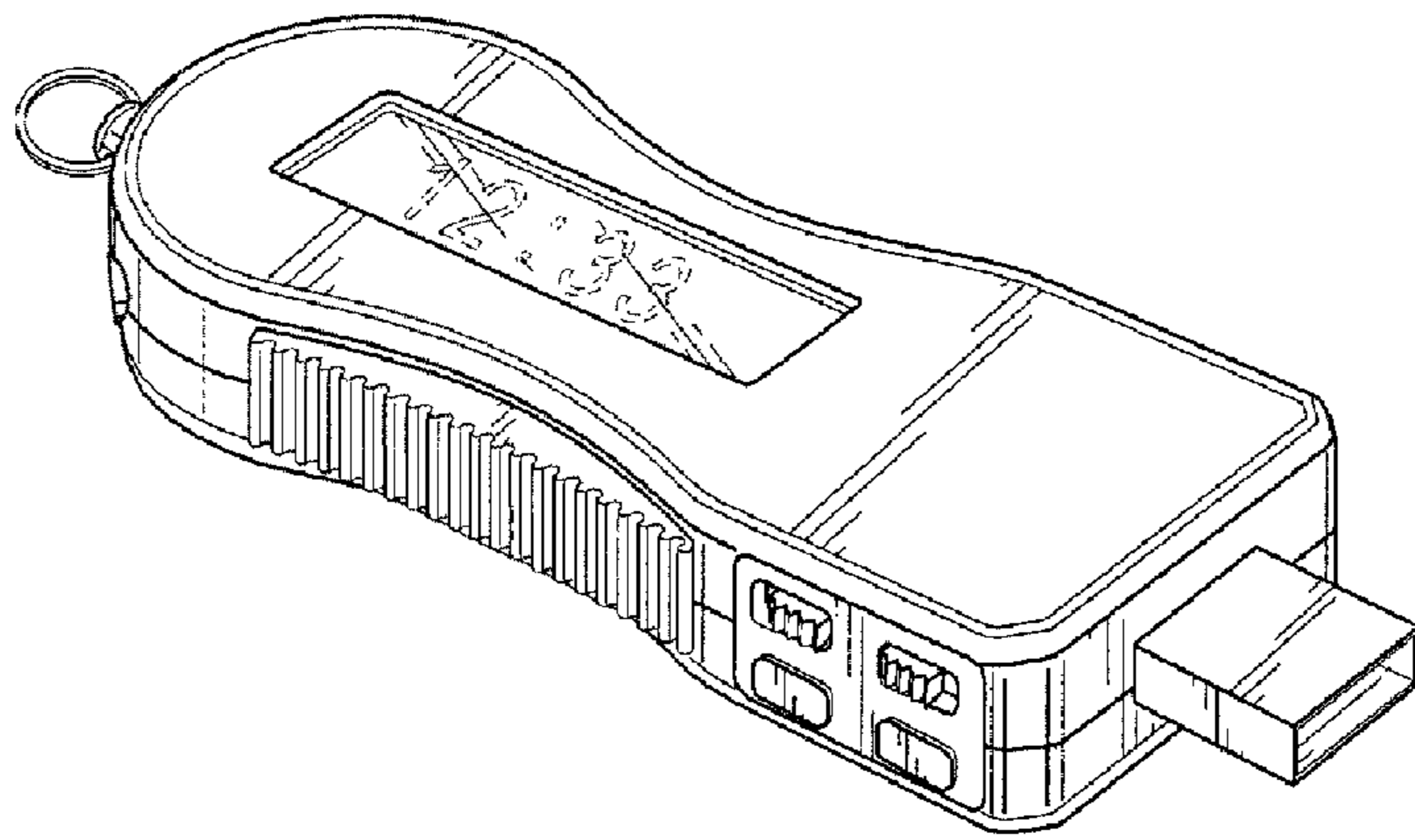
FIG. 6 is a bottom plan view thereof; and,

FIG. 7 is a back elevational view thereof.

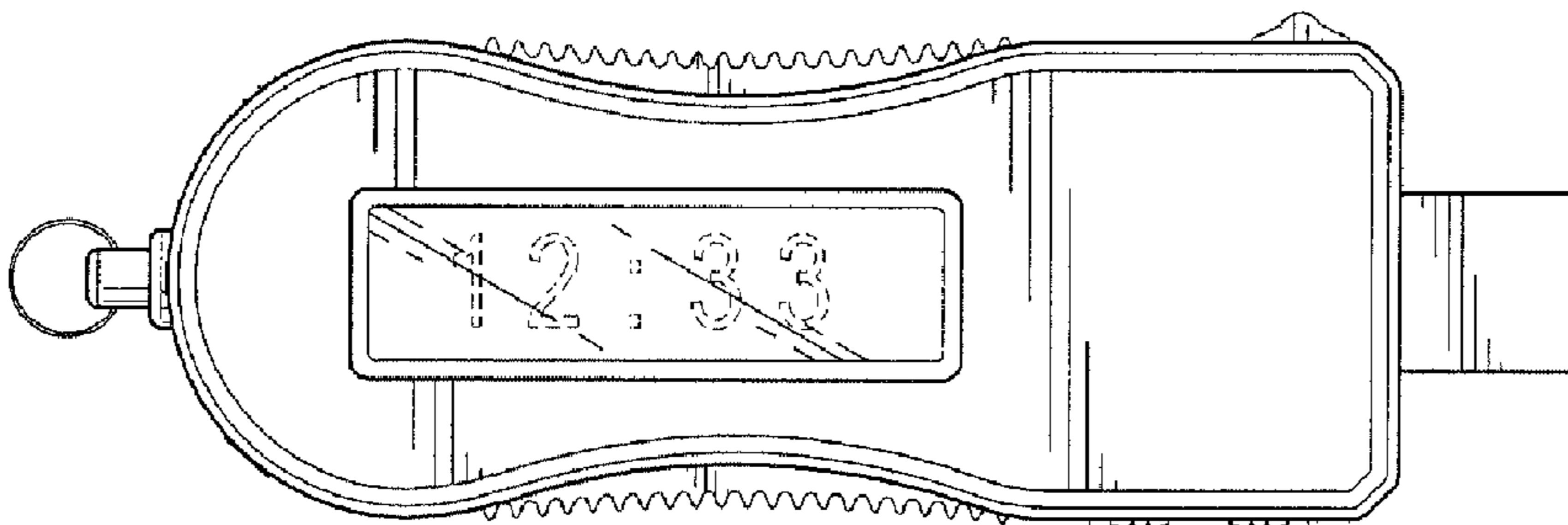
The broken lines showing of the numbers within the display in FIGS. 1 and 2 are for the purpose of illustrating unclaimed portions and form no part of the claimed design.

**1 Claim, 2 Drawing Sheets**

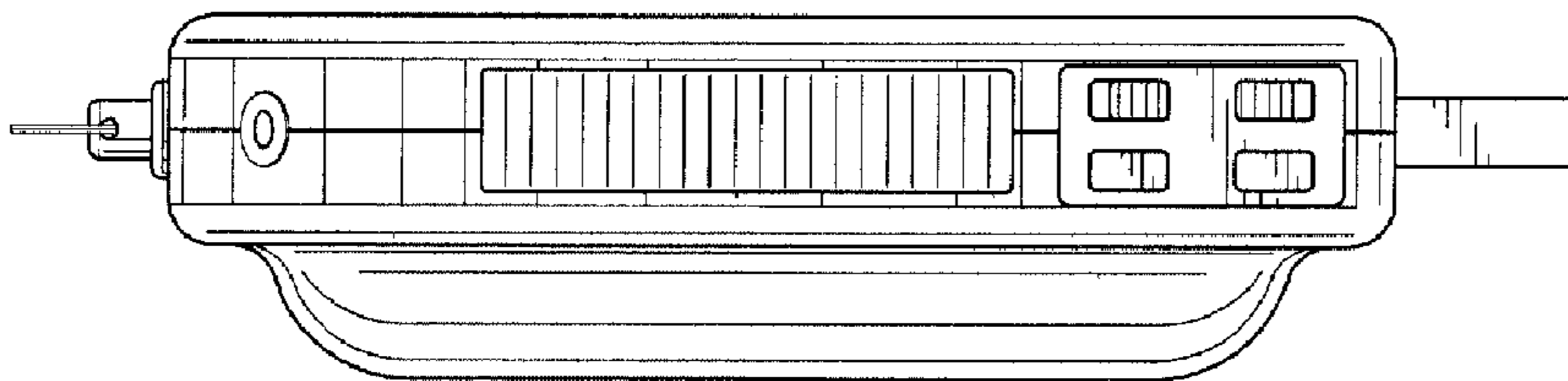




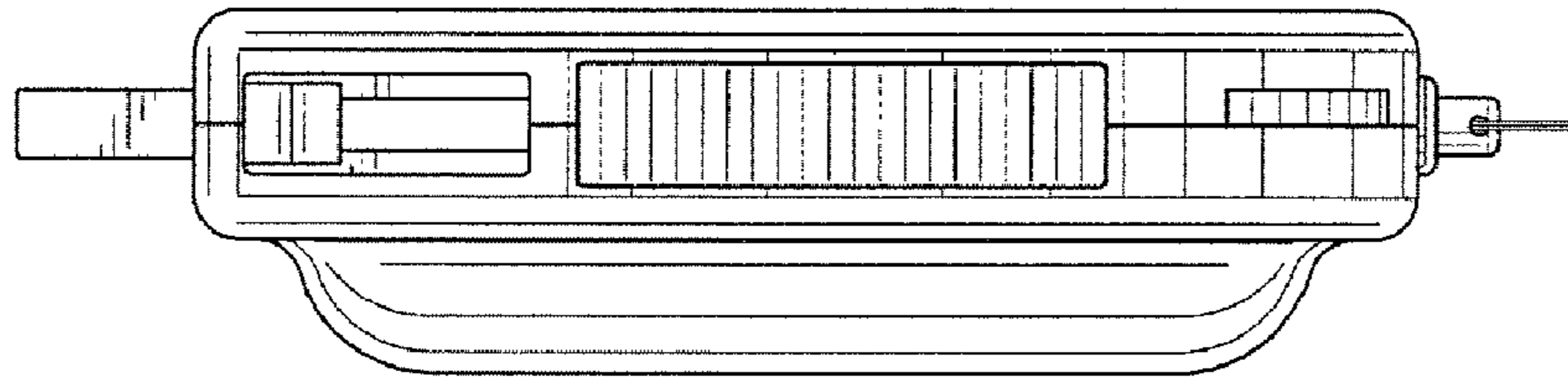
*FIG. 1*



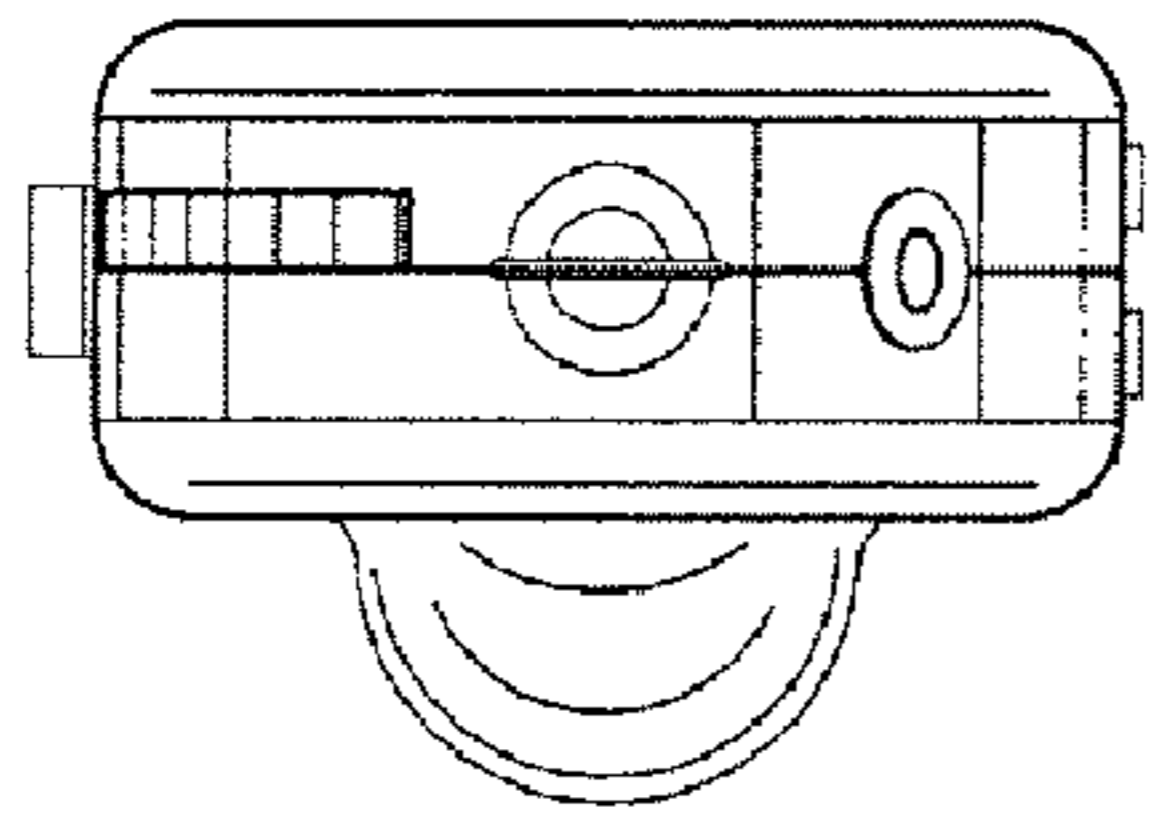
*FIG. 2*



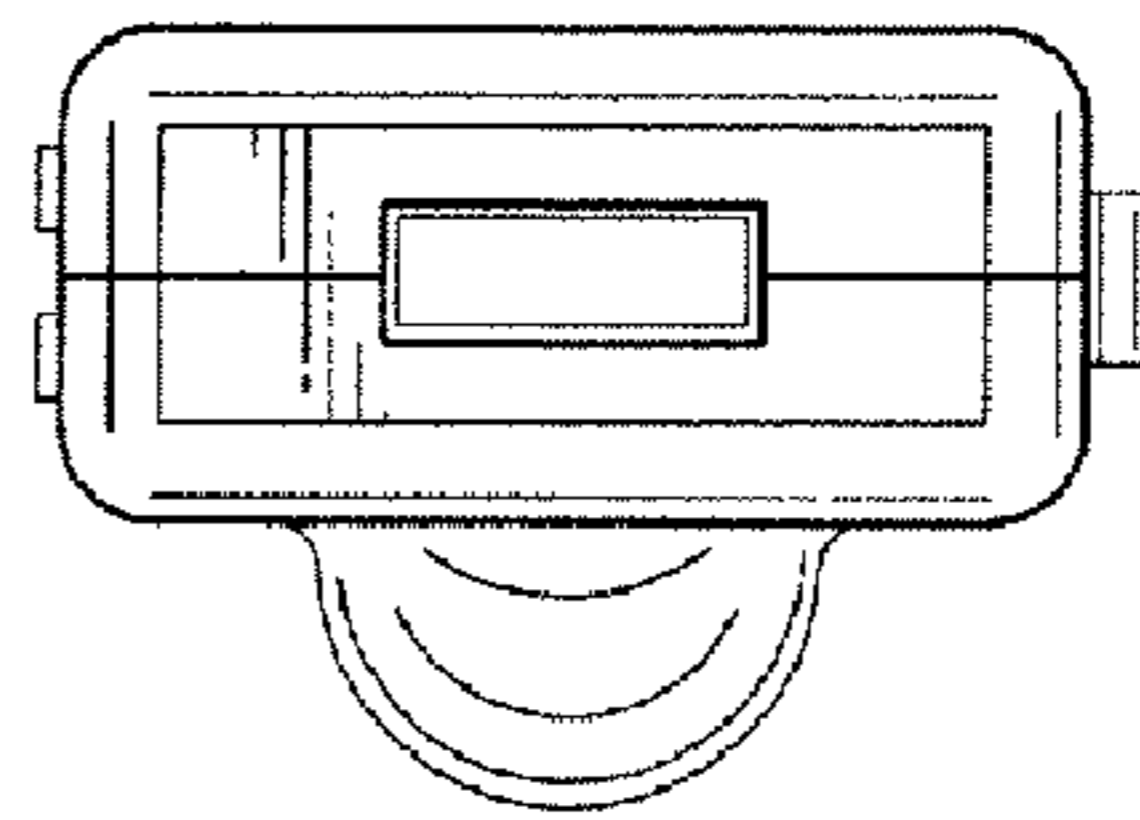
*FIG. 3*



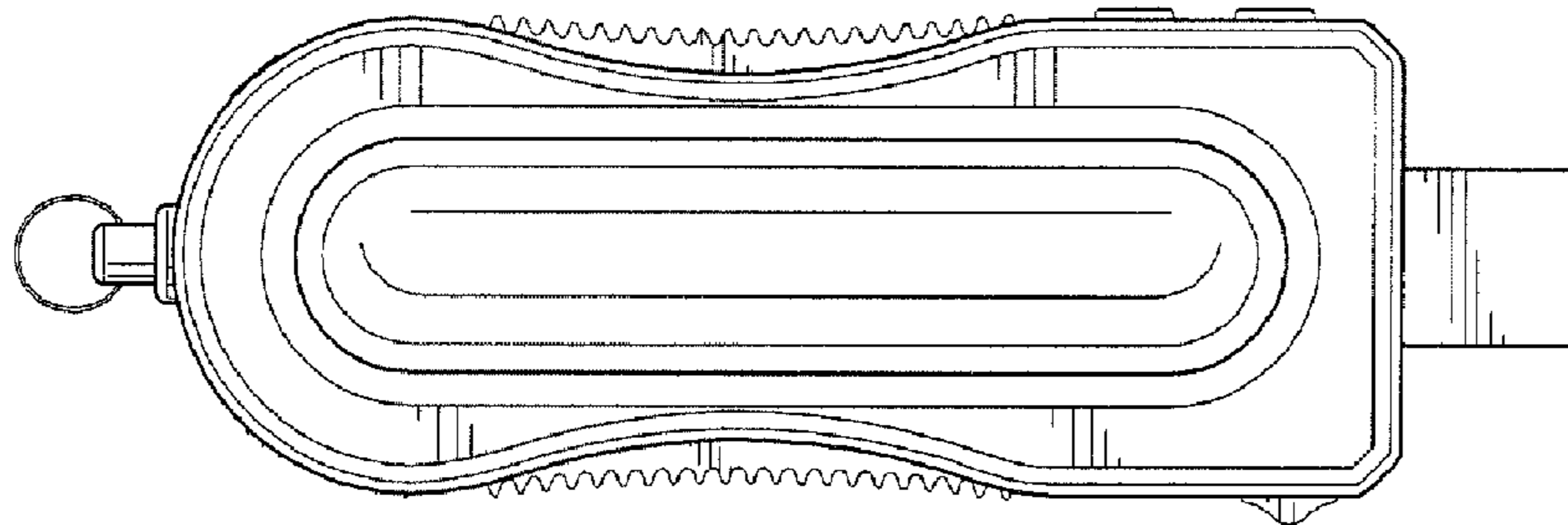
*FIG. 4*



*FIG. 5*



*FIG. 6*



*FIG. 7*