



US00D574821S

(12) **United States Design Patent**
Griffin et al.

(10) **Patent No.:** **US D574,821 S**

(45) **Date of Patent:** **** Aug. 12, 2008**

(54) **HANDHELD DEVICE**

(75) Inventors: **Jason T. Griffin**, Kitchener (CA);
Norman Ladouceur, Waterloo (CA);
Cortez Corley, Waterloo (CA)

(73) Assignee: **Research In Motion Limited**, Waterloo,
Ontario

(**) Term: **14 Years**

(21) Appl. No.: **29/259,157**

(22) Filed: **May 3, 2006**

(51) **LOC (8) Cl.** **14-02**

(52) **U.S. Cl.** **D14/341**

(58) **Field of Classification Search** D14/341,
D14/342, 343, 344, 345, 346, 347, 420, 426,
D14/427, 432, 439, 440, 441, 448, 496, 125,
D14/137, 129, 130, 138, 250, 389, 147, 218,
D14/247, 248, 156; D10/65, 104; D13/168;
D18/6, 7; D21/329, 686; 455/90.3, 556.1,
455/556.2, 575.1, 575.3, 575.4; 379/433.01,
379/433.04, 433.06, 433.07; 361/814; 341/22;
345/169, 173

See application file for complete search history.

(56) **References Cited**

U.S. PATENT DOCUMENTS

D433,460 S	11/2000	Griffin et al.	
D436,963 S *	1/2001	Kim et al.	D14/432
D462,958 S *	9/2002	Nguyen et al.	D14/343
D470,150 S	2/2003	Lewis, Jr. et al.	
D477,596 S	7/2003	Hayes	
D479,233 S	9/2003	Griffin	
D480,057 S	9/2003	Ho-Cheun et al.	
D492,657 S	7/2004	Jensfelt	
D496,019 S	9/2004	Okada et al.	
D496,655 S	9/2004	Harris et al.	
D496,921 S	10/2004	Hwang	
D496,933 S	10/2004	Wu	
D497,907 S	11/2004	Griffin	
D502,159 S	2/2005	Chan et al.	

D503,163 S	3/2005	Chan et al.	
D517,037 S *	3/2006	Corley et al.	D14/138
D522,485 S *	6/2006	Griffin	D14/138
7,083,342 B2	8/2006	Griffin	
D531,628 S *	11/2006	Pletikosa et al.	D14/346
D533,549 S *	12/2006	Johansson	D14/248
D539,271 S *	3/2007	Lum et al.	D14/218
D543,186 S *	5/2007	Kim et al.	D14/138
D544,461 S *	6/2007	Hwang et al.	D14/138
D548,713 S *	8/2007	Lee et al.	D14/138
D548,735 S *	8/2007	Tang	D14/343
2002/0018051 A1 *	2/2002	Singh	345/173
2002/0044136 A1	4/2002	Griffin et al.	
2005/0014537 A1	1/2005	Gammon et al.	
2007/0060214 A1 *	3/2007	Sung et al.	455/575.1

* cited by examiner

Primary Examiner—Cathron Brooks

Assistant Examiner—Angela J Lee

(74) *Attorney, Agent, or Firm*—Novak Druce + Quigg, LLP

(57) **CLAIM**

The ornamental design for a handheld device, as shown and described.

DESCRIPTION

FIG. 1 is a front elevational view of a handheld device depicting our new design;

FIG. 2 is a left side elevational view thereof;

FIG. 3 is a right side elevational view thereof;

FIG. 4 is a top plan view thereof;

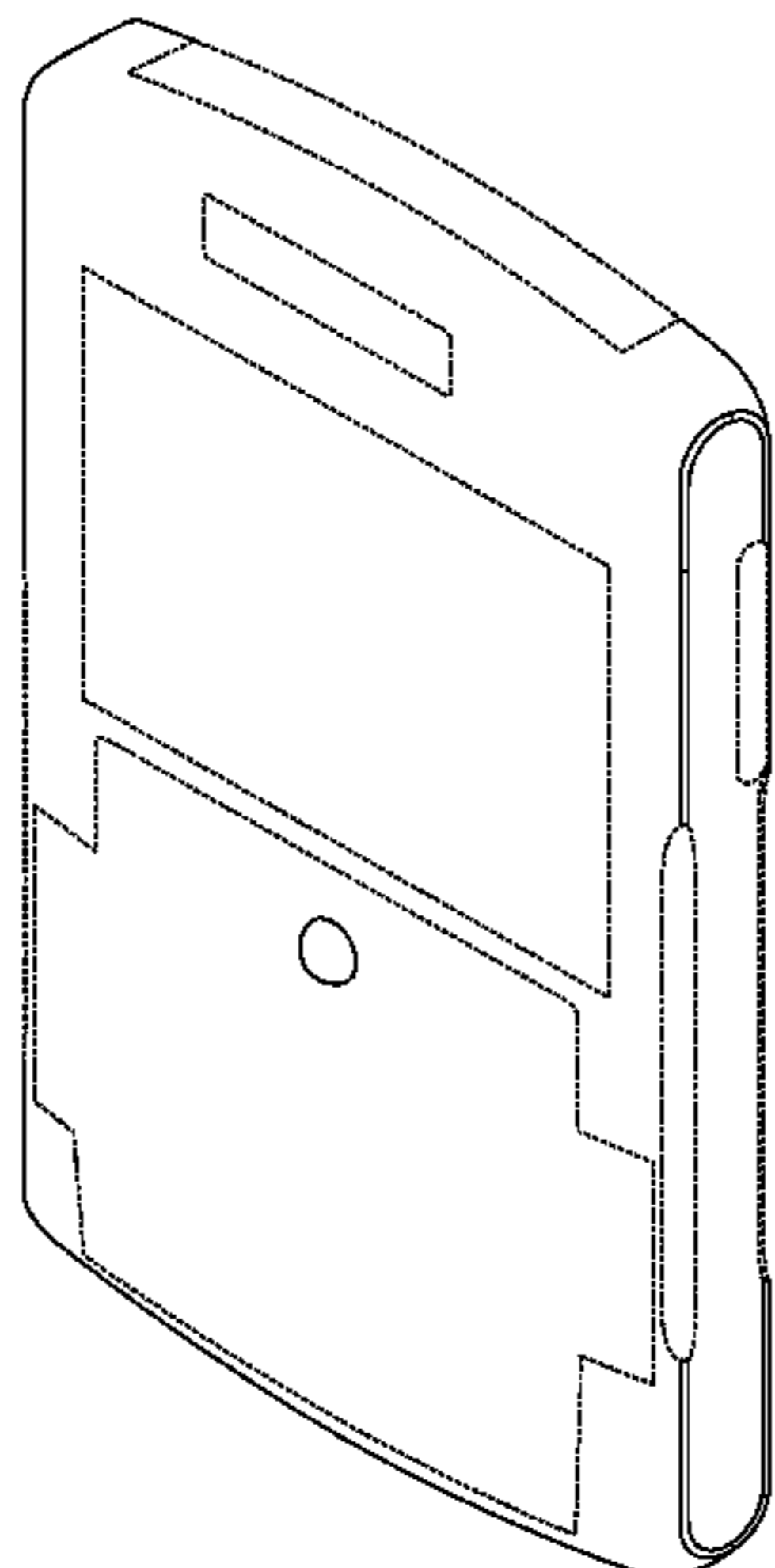
FIG. 5 is a bottom plan view thereof;

FIG. 6 is a rear elevational view thereof; and,

FIG. 7 is a perspective view thereof.

The broken lines shown in the bottom central portion of FIGS. 1 and 7 represent an unclaimed area up to but not including the circular member illustrated by the solid line, while all other broken lines on FIGS. 1–7 are directed to environment and are for illustrative purposes only; the broken lines form no part of the claimed design.

1 Claim, 5 Drawing Sheets



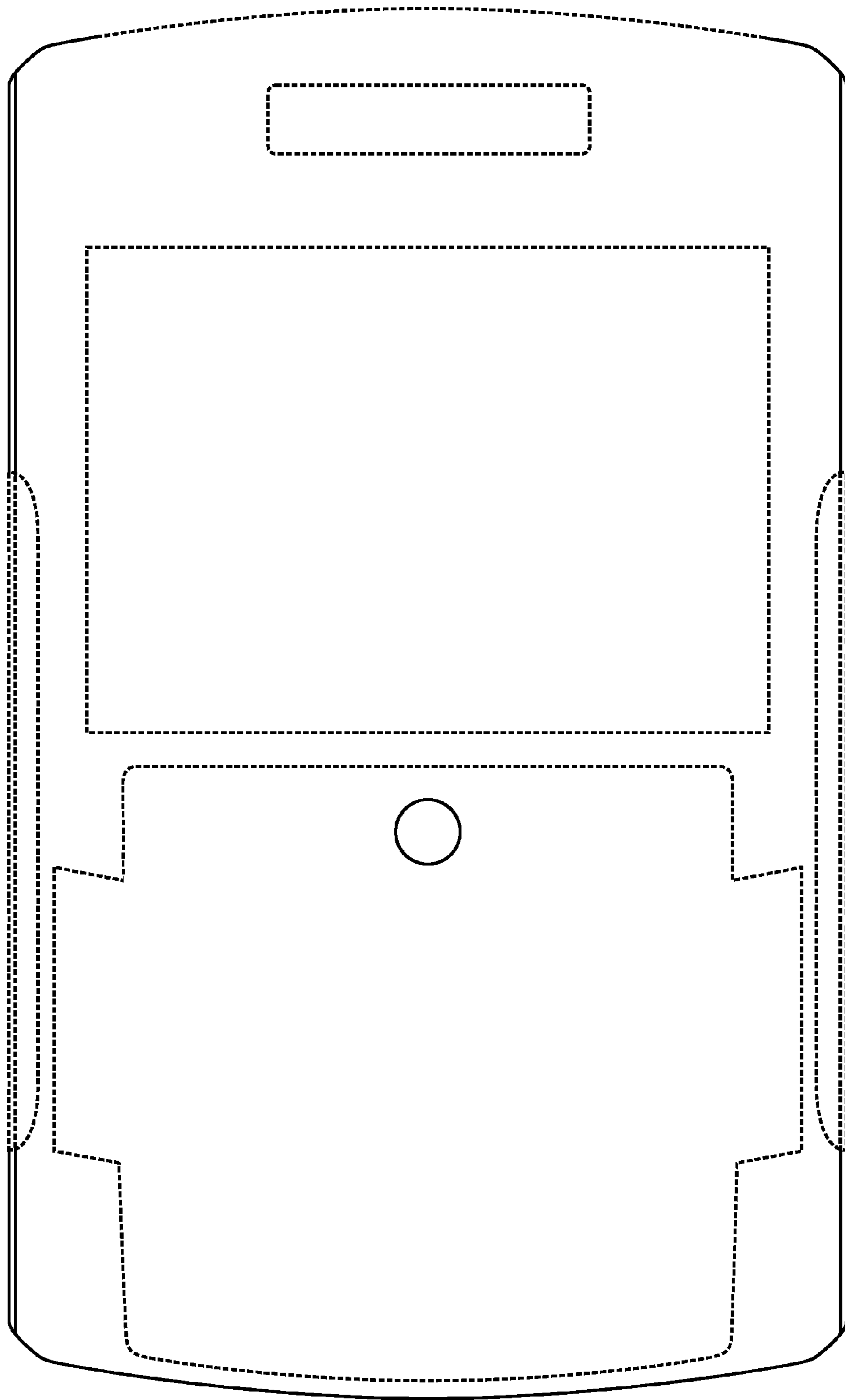


FIG. 1

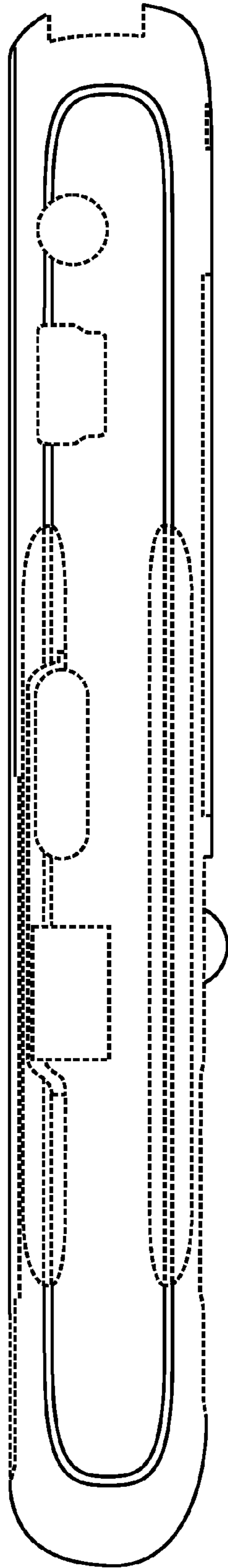


FIG. 2

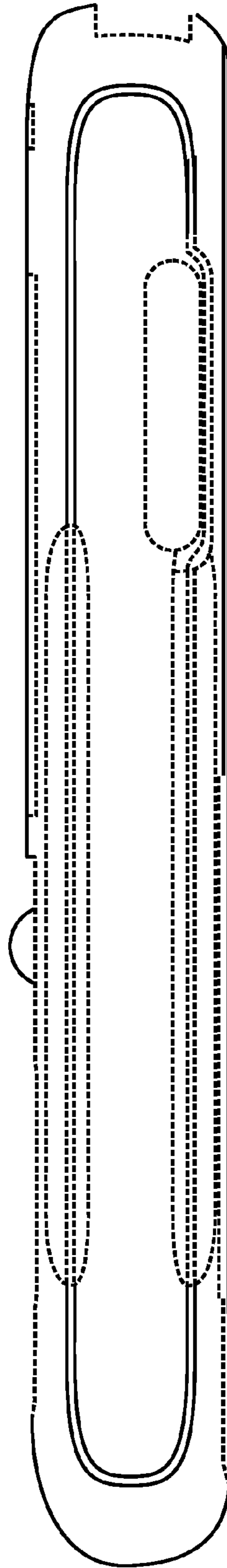


FIG. 3

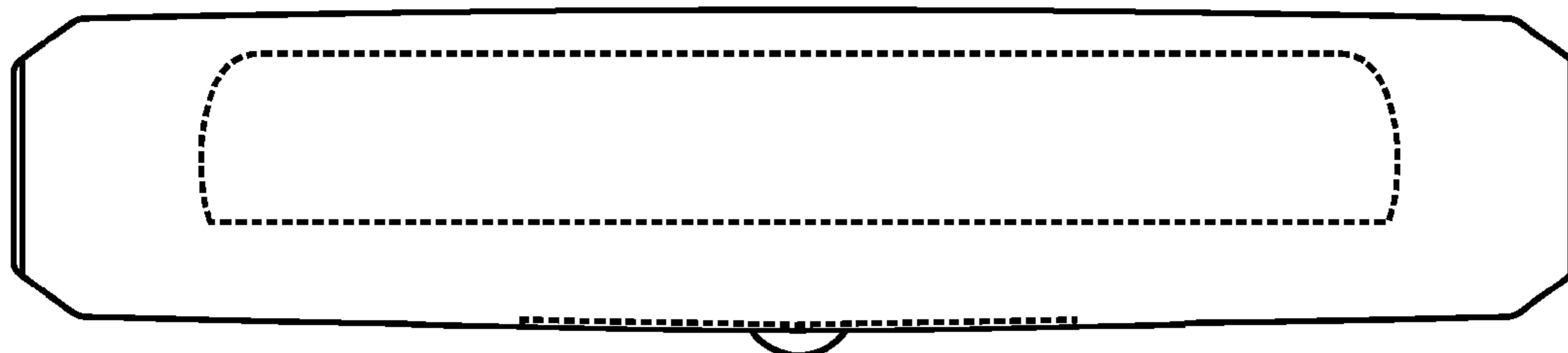


FIG. 4

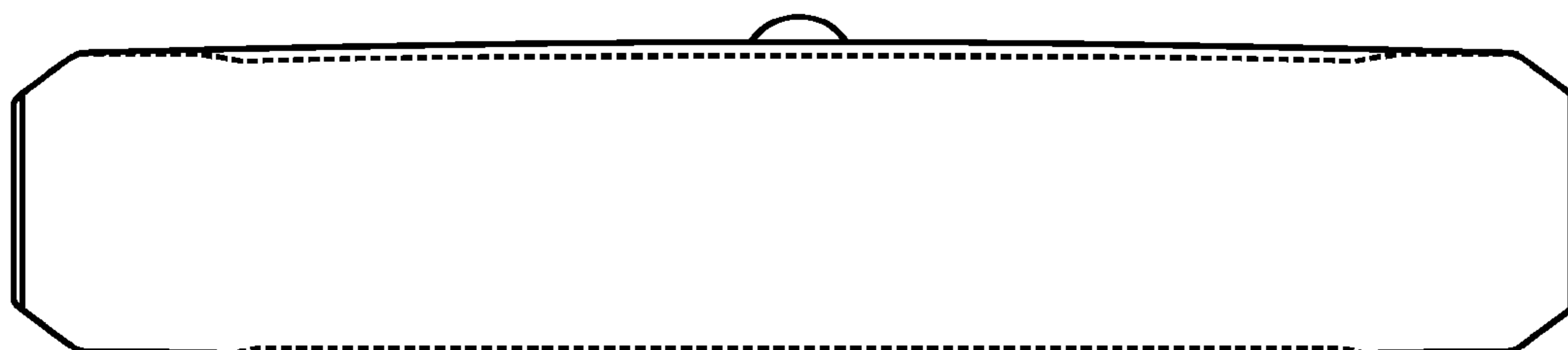


FIG. 5

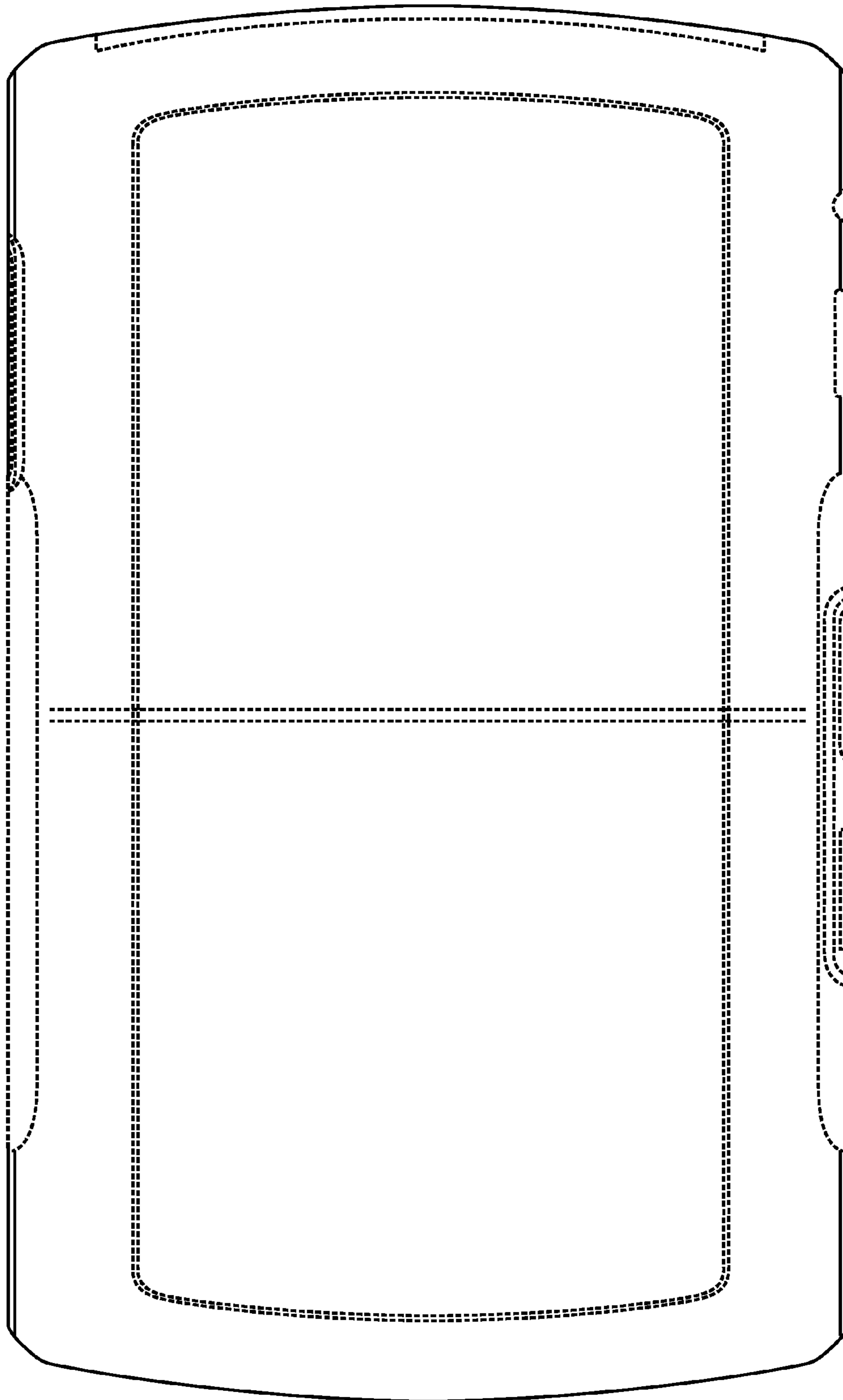


FIG. 6

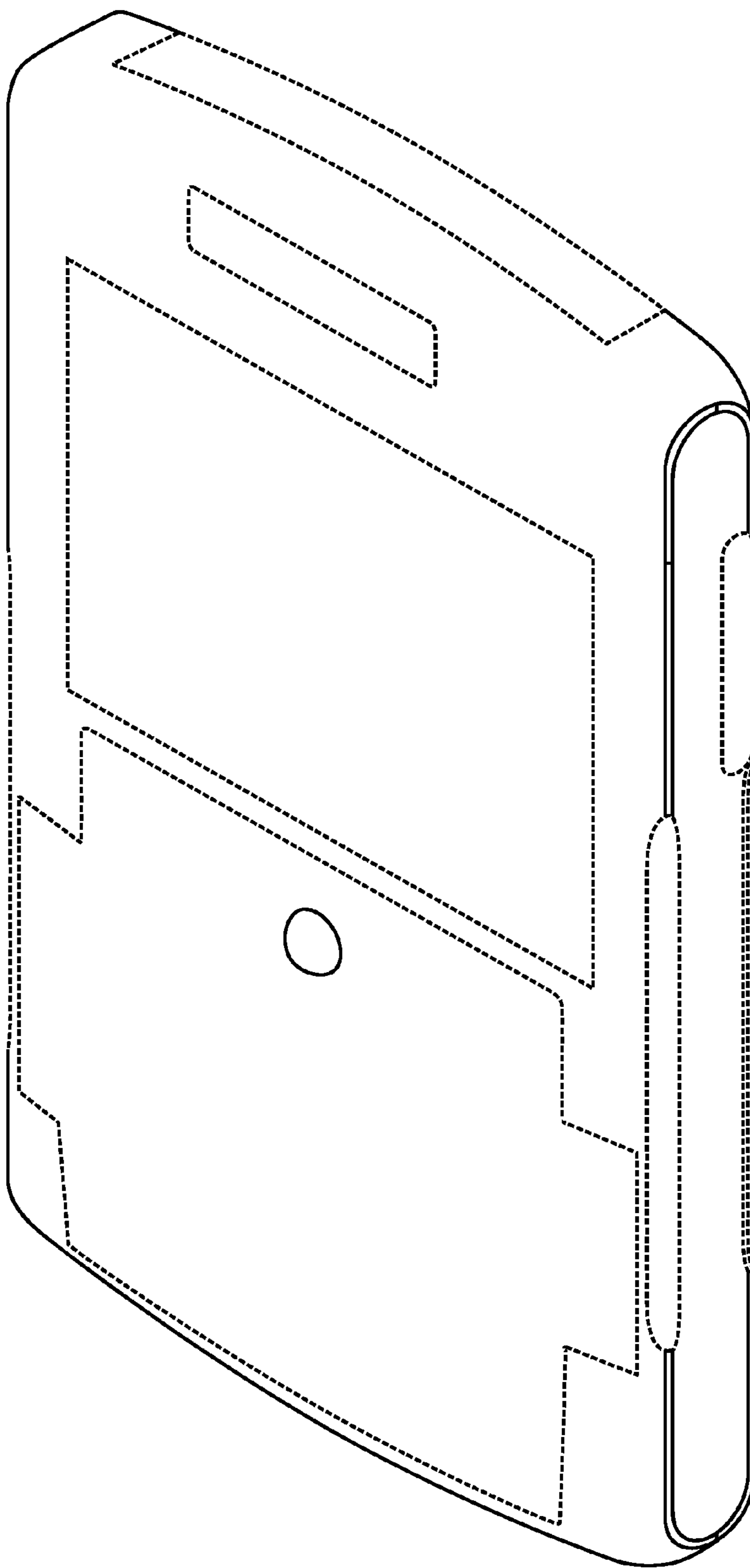


FIG. 7