



US00D574817S

(12) **United States Design Patent**
Eroma et al.

(10) **Patent No.:** **US D574,817 S**

(45) **Date of Patent:** **** Aug. 12, 2008**

(54) **SET OF KEY BUTTONS FOR A HANDSET**

(75) Inventors: **Valtteri Eroma**, Helsinki (FI); **Jussi Juva**, Turku (FI)

(73) Assignee: **Nokia Corporation** (FI)

(**) Term: **14 Years**

(21) Appl. No.: **29/284,014**

(22) Filed: **Aug. 29, 2007**

Related U.S. Application Data

(62) Division of application No. 29/268,569, filed on Nov. 9, 2006.

(30) **Foreign Application Priority Data**

May 15, 2006 (FI) M20060111

(51) **LOC (8) Cl.** **14-03**

(52) **U.S. Cl.** **D14/247**

(58) **Field of Classification Search** D14/137-138,
D14/147-148, 156, 218, 247-248, 341-347,
D14/496, 390, 399, 455, 456; D16/208;
D21/329, 331, 333, 517; 348/14.01-14.02;
361/814; 379/433.01-433.13; 455/90.3,
455/556.1-556.2, 566, 575.1, 575.3, 575.4;
D13/164, 168; 439/165; 343/702

See application file for complete search history.

(56) **References Cited**

U.S. PATENT DOCUMENTS

D496,921 S * 10/2004 Hwang D14/138
D517,039 S * 3/2006 Lee D14/138
D523,836 S * 6/2006 Park D14/138
D532,767 S * 11/2006 Yoshino et al. D14/138
D539,257 S * 3/2007 Obata et al. D14/138

D539,791 S * 4/2007 Sheu D14/247
D543,199 S * 5/2007 Majanen et al. D14/247
D545,792 S * 7/2007 Kim et al. D14/138
D545,800 S * 7/2007 Ou et al. D14/138
D549,208 S * 8/2007 Huang et al. D14/138
D549,699 S * 8/2007 Bower D14/247
D550,220 S * 9/2007 Lyles D14/247
2006/0105806 A1 * 5/2006 Vance et al. 455/556.1

FOREIGN PATENT DOCUMENTS

WO DM/068067 * 8/2006

OTHER PUBLICATIONS

Nokia 2610, announced Mar. 2006, <URL: www.gsmarena.com>, retrieved from internet Dec. 21, 2007.*

Nokia N73, announced Apr. 2006, <URL: www.gsmarena.com>, retrieved from internet Dec. 21, 2007.*

LG B2250, announced 3Q 2005, <URL: www.gsmarena.com>, retrieved from internet Dec. 21, 2007.*

* cited by examiner

Primary Examiner—Ian Simmons

Assistant Examiner—Carla Wright

(74) *Attorney, Agent, or Firm*—Banner & Witcoff, Ltd.

(57) **CLAIM**

The ornamental design for a set of key buttons for a handset, as shown and described.

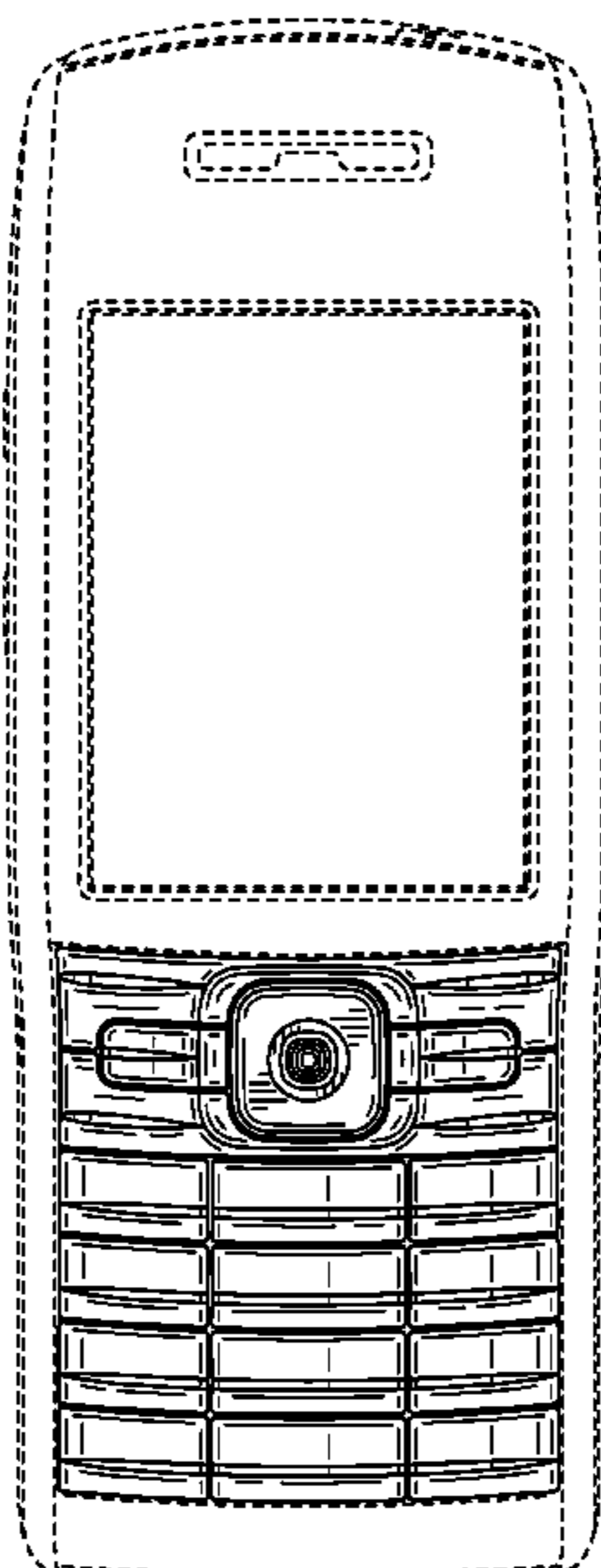
DESCRIPTION

FIG. 1 is a front view of a set of key buttons for a handset showing our new design; and,

FIG. 2 is a perspective front view thereof.

The broken line showing of the remainder of the handset is for illustrative purposes only and forms no portion of the claimed design.

1 Claim, 2 Drawing Sheets



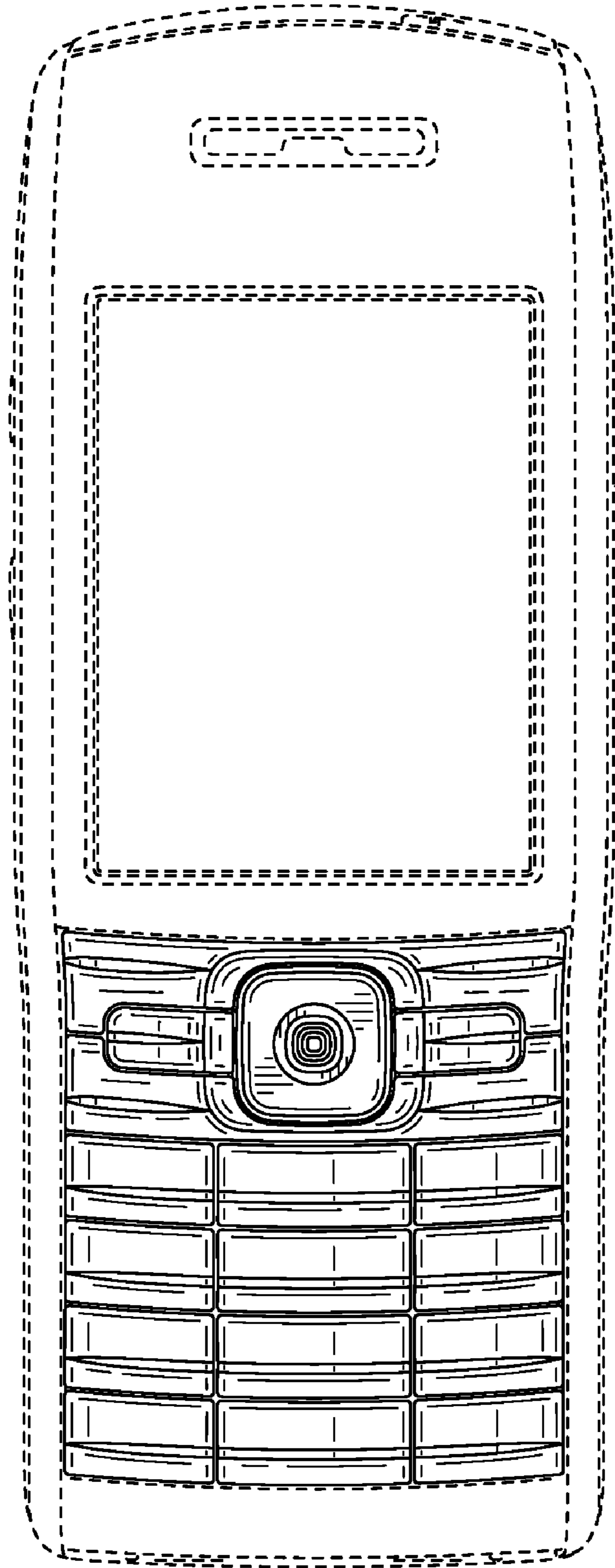


FIG. 1

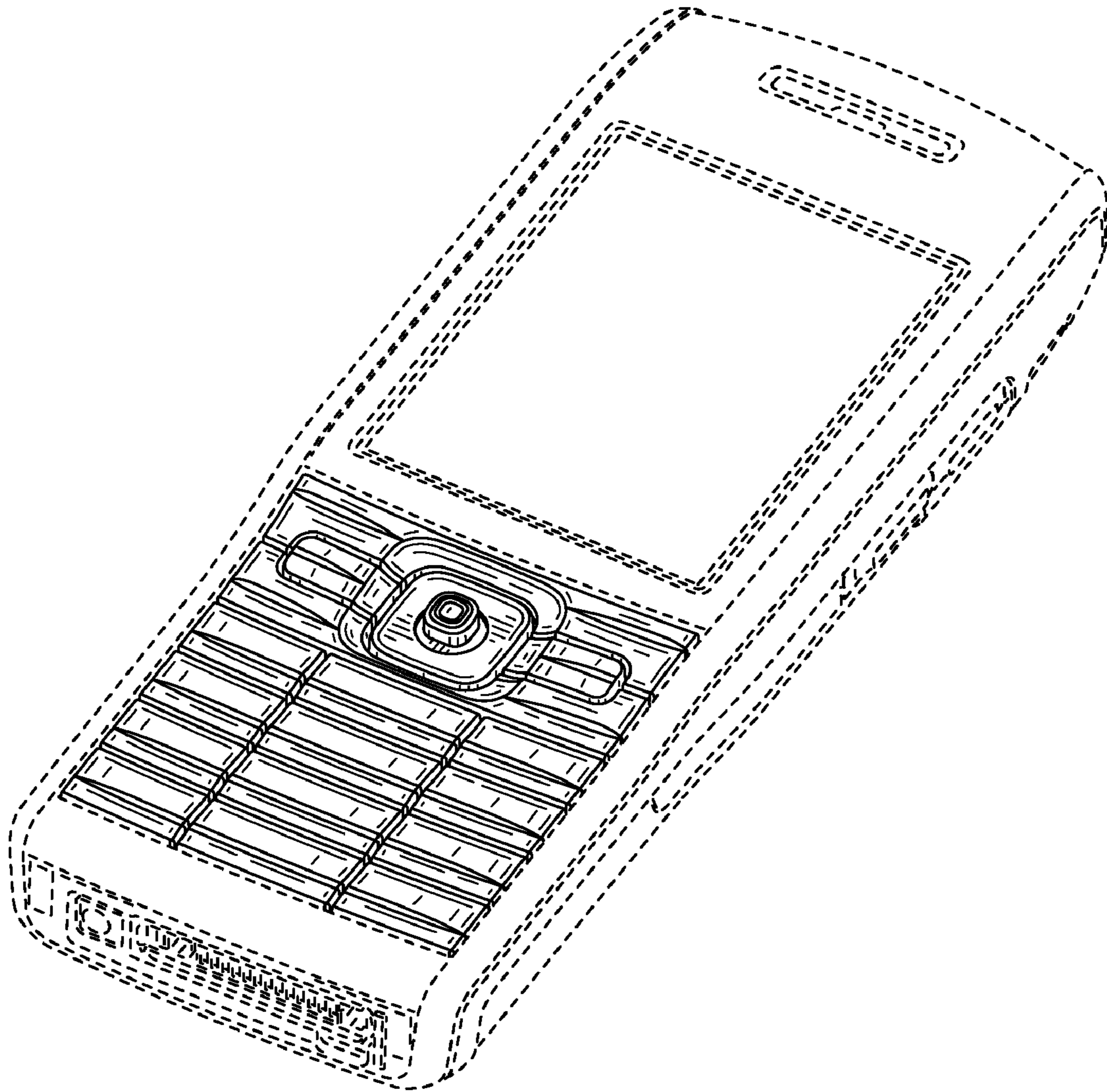


FIG. 2