



US00D574814S

(12) **United States Design Patent**  
**Hammond**

(10) **Patent No.:** **US D574,814 S**

(45) **Date of Patent:** **\*\* Aug. 12, 2008**

(54) **HEADSET FOR AN ELECTRONIC DEVICE**

D545,813 S \* 7/2007 Ma ..... D14/223

\* cited by examiner

(75) Inventor: **Miles Hammond**, Ottawa (CA)

*Primary Examiner*—Paula A Greene

(73) Assignee: **Cellpoint Connect (Canada) Inc.**,  
Burlington, Ontario (CA)

(74) *Attorney, Agent, or Firm*—The Webb Law Firm

(\*\*) Term: **14 Years**

(57) **CLAIM**

(21) Appl. No.: **29/279,676**

The ornamental design for a headset for an electronic device,  
as shown and described.

(22) Filed: **May 4, 2007**

**DESCRIPTION**

(30) **Foreign Application Priority Data**

Nov. 10, 2006 (CA) ..... 118213

FIG. 1 is a front elevational view of a first embodiment of a  
headset for an electronic device showing my new design;

(51) **LOC (8) Cl.** ..... **14-01**

FIG. 2 is a top plan view thereof;

(52) **U.S. Cl.** ..... **D14/223; D14/205**

FIG. 3 is a first side elevational view thereof;

(58) **Field of Classification Search** ..... D14/188,  
D14/192, 205–206, 223; 181/129–130; 379/430–432,  
379/433.01; 381/370, 375–381, 385, 338;  
D24/174

FIG. 4 is a bottom plan view thereof;

FIG. 5 is a side top rear perspective view thereof;

See application file for complete search history.

FIG. 6 is a rear elevational view thereof;

FIG. 7 is a rear side perspective view thereof;

FIG. 8 is a second side elevational view thereof, showing a  
view opposed to FIG. 3;

(56) **References Cited**

**U.S. PATENT DOCUMENTS**

D478,573 S *	8/2003	Wrisley et al.	.....	D14/223
6,760,458 B1 *	7/2004	Bogeskov-Jensen et al.		381/370
D494,570 S *	8/2004	Ma	.....	D14/223
D497,613 S *	10/2004	Gwee	.....	D14/223
D502,171 S *	2/2005	Tang et al.	.....	D14/223
D504,884 S *	5/2005	Hering	.....	D14/206
D509,211 S *	9/2005	Han et al.	.....	D14/205
D509,823 S *	9/2005	Han et al.	.....	D14/223
D512,991 S *	12/2005	Yano	.....	D14/223
D514,549 S *	2/2006	Rath et al.	.....	D14/223
D538,268 S	3/2007	Gibson et al.		

FIG. 9 is a front elevational view of a second embodiment of  
a headset for an electronic device showing my new design;

FIG. 10 is a top plan view thereof;

FIG. 11 is a first side elevational view thereof;

FIG. 12 is a bottom plan view thereof;

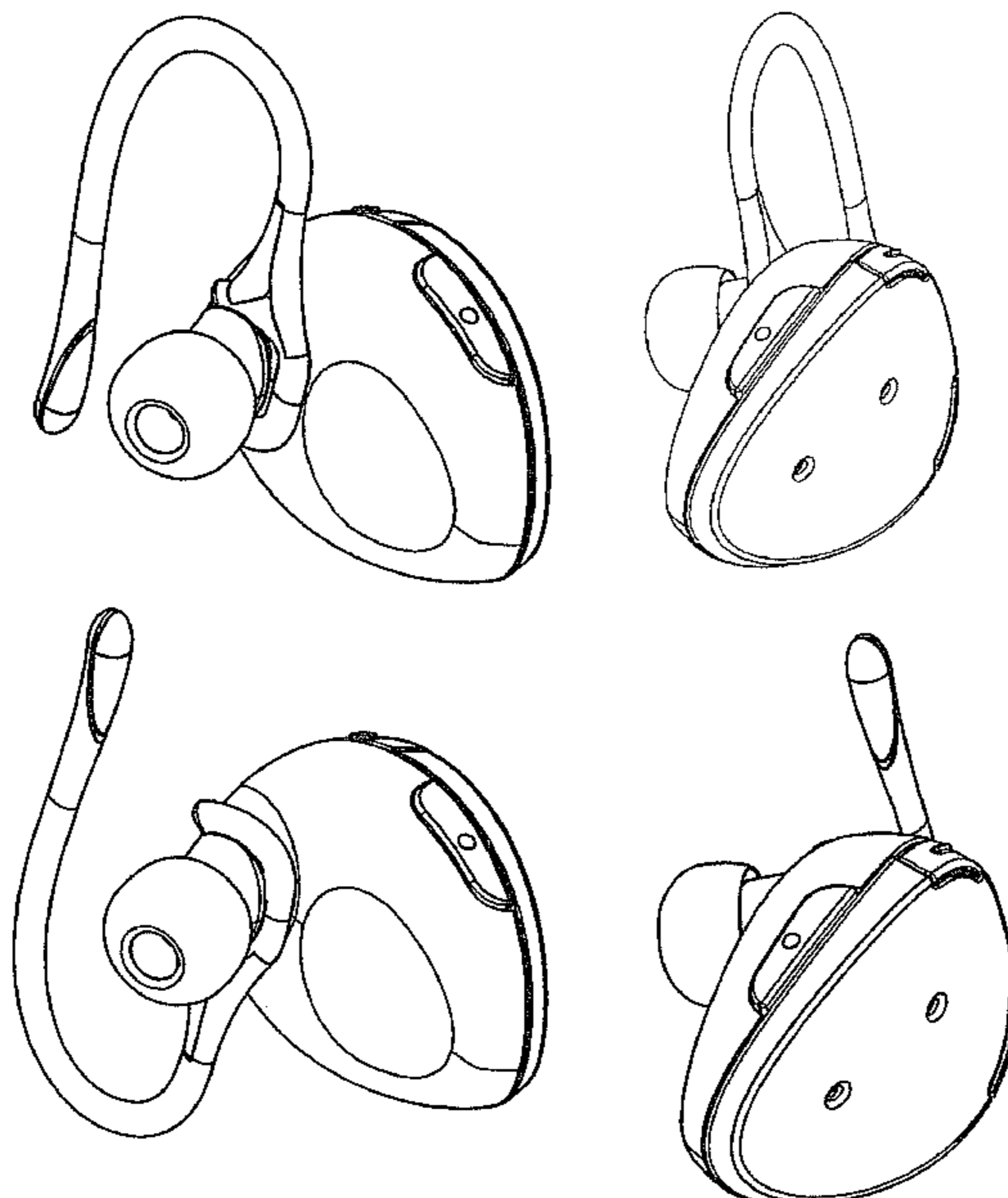
FIG. 13 is a side top rear perspective view thereof;

FIG. 14 is a rear elevational view thereof;

FIG. 15 is a rear side perspective view thereof; and,

FIG. 16 is a second side elevational view thereof, showing a  
view opposed to FIG. 11.

**1 Claim, 8 Drawing Sheets**



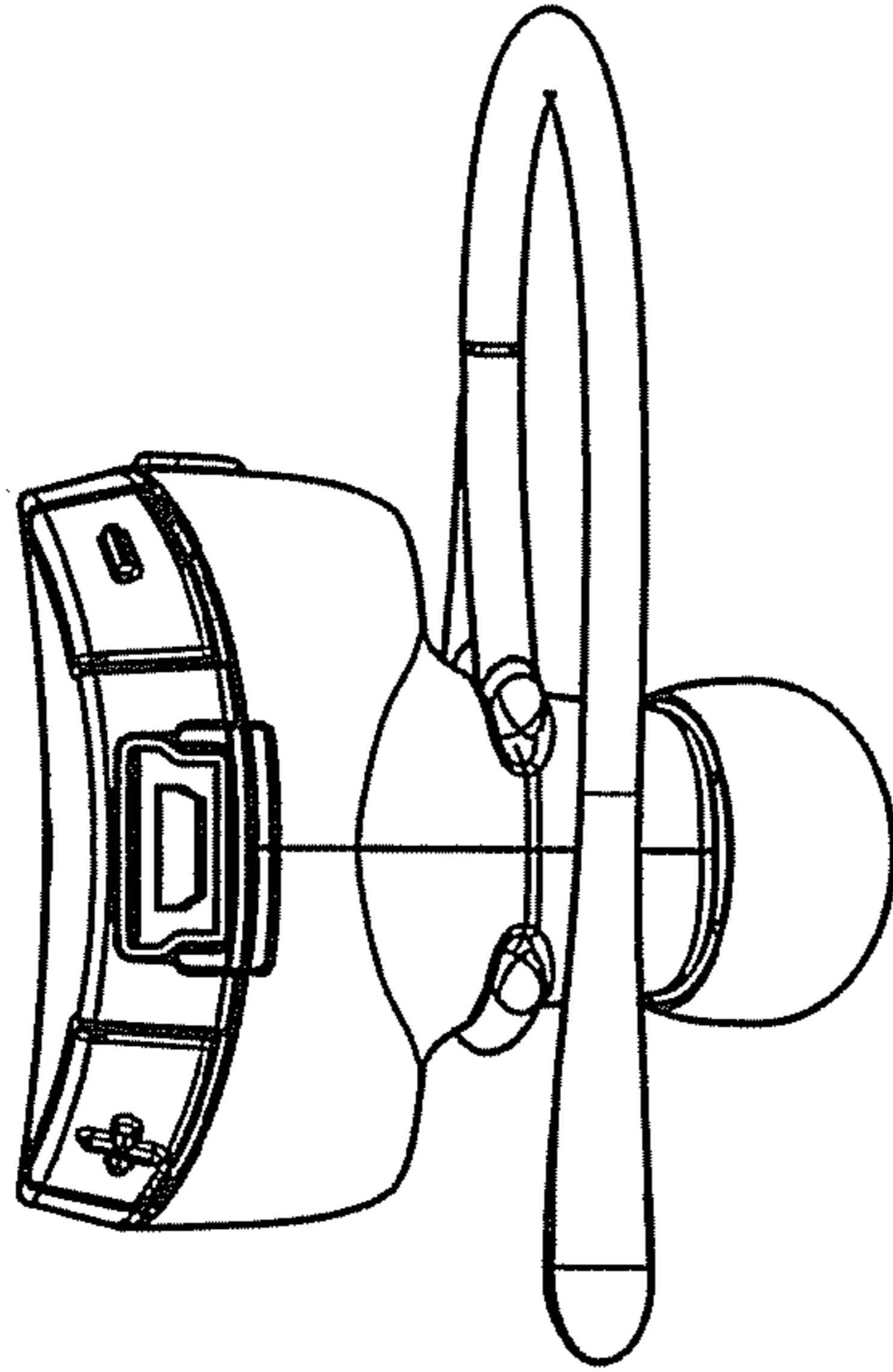


Fig. 1

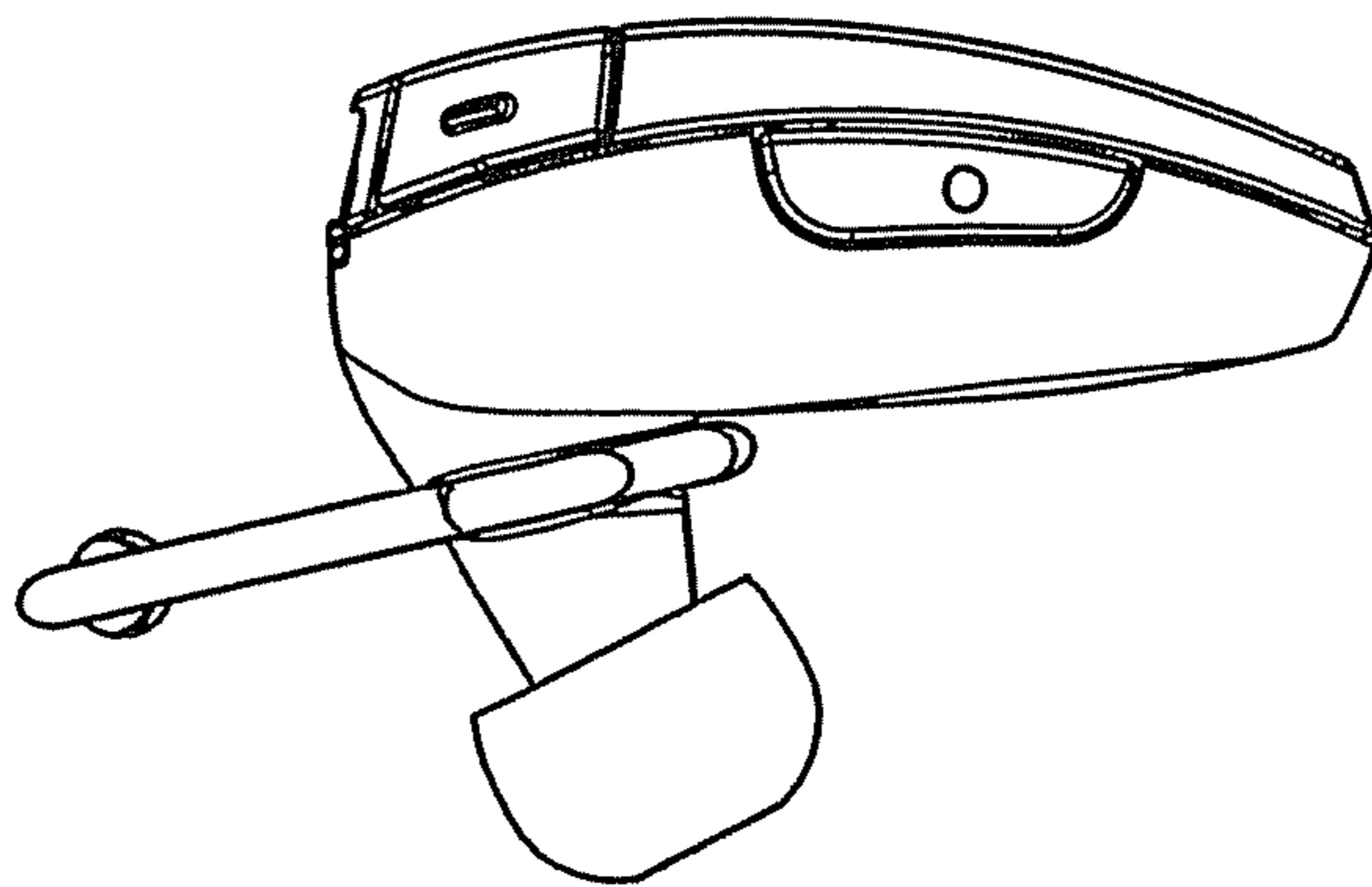


Fig. 2

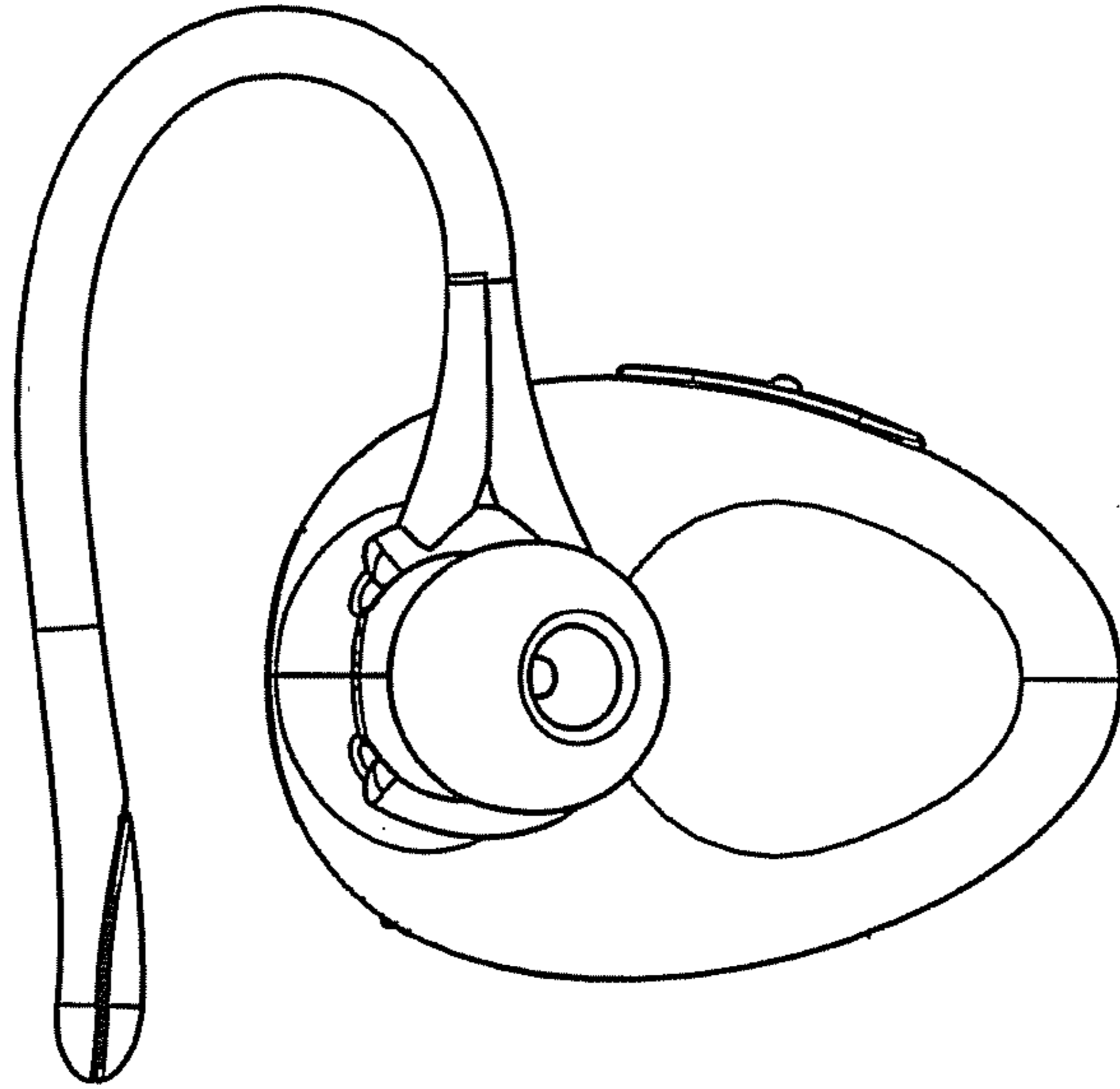


Fig. 3

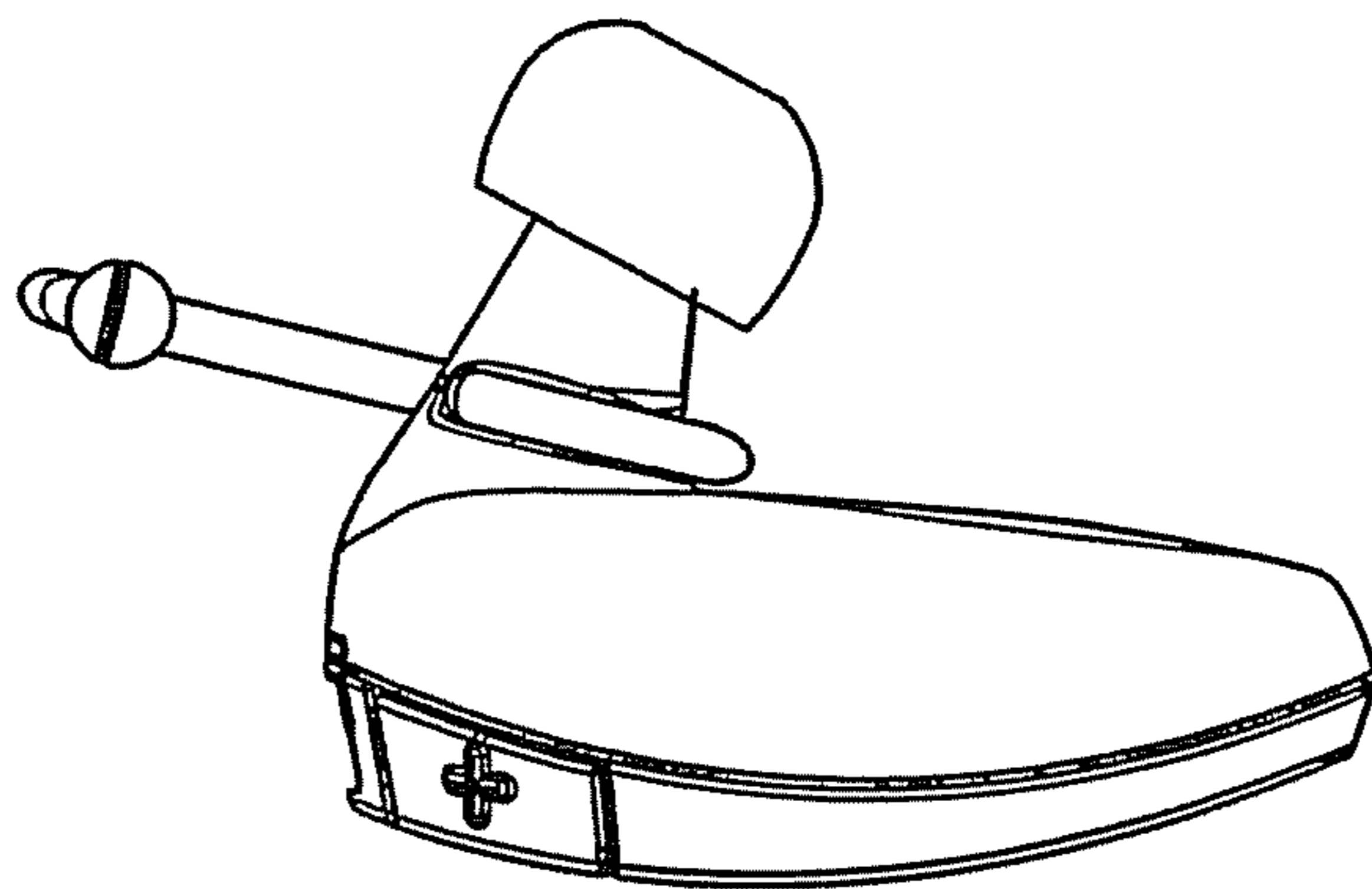


Fig. 4

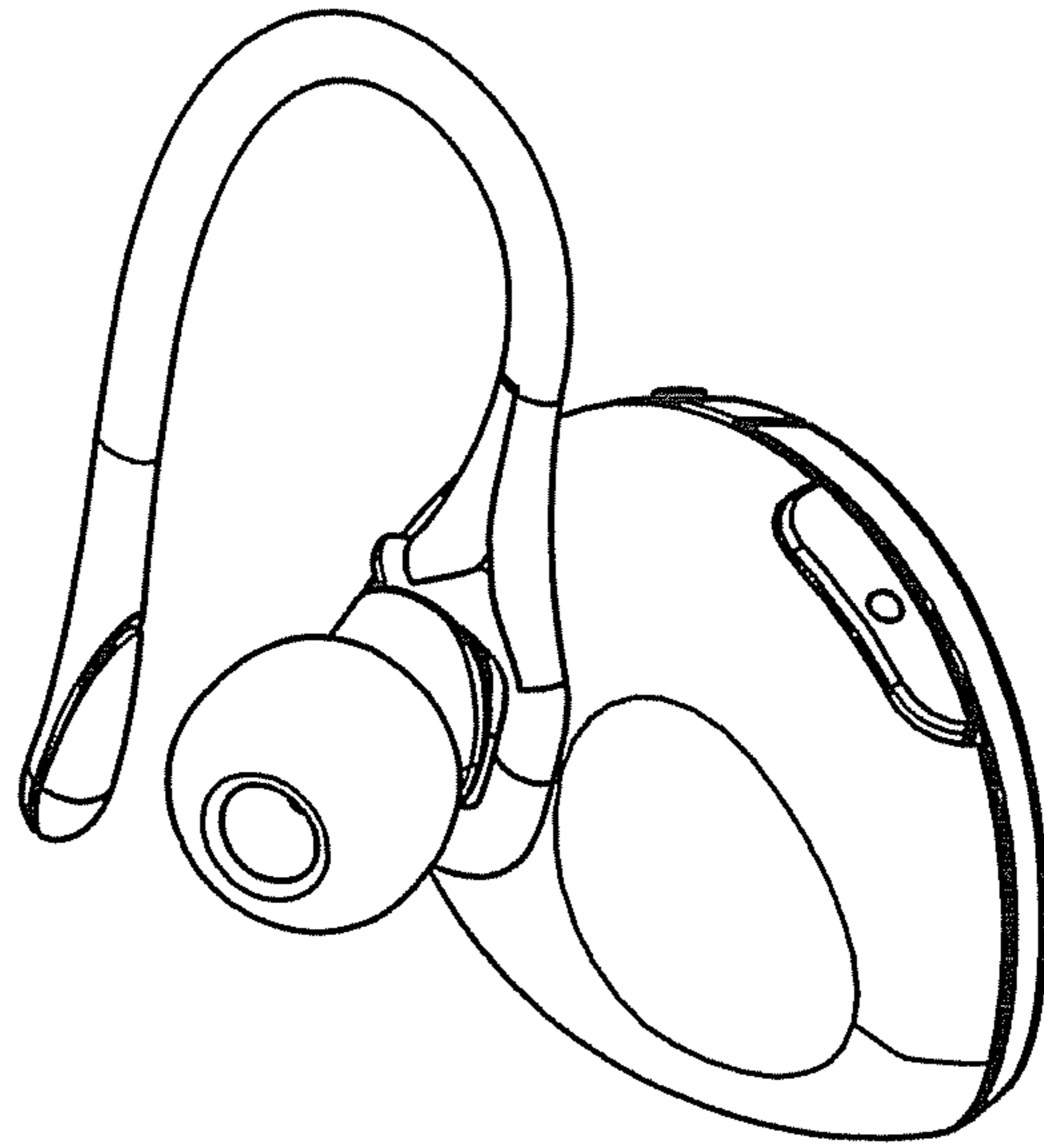


Fig. 5

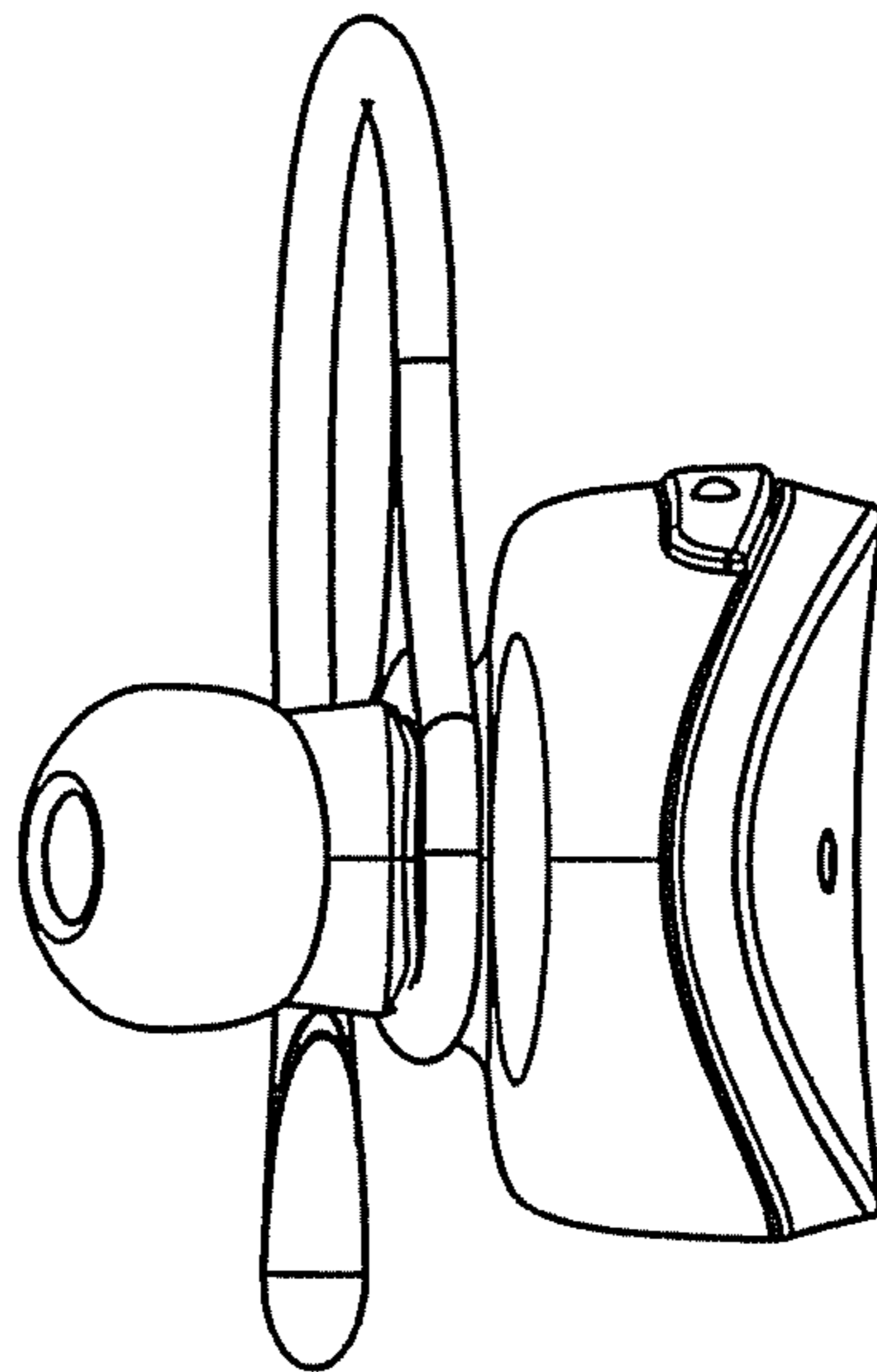


Fig. 6

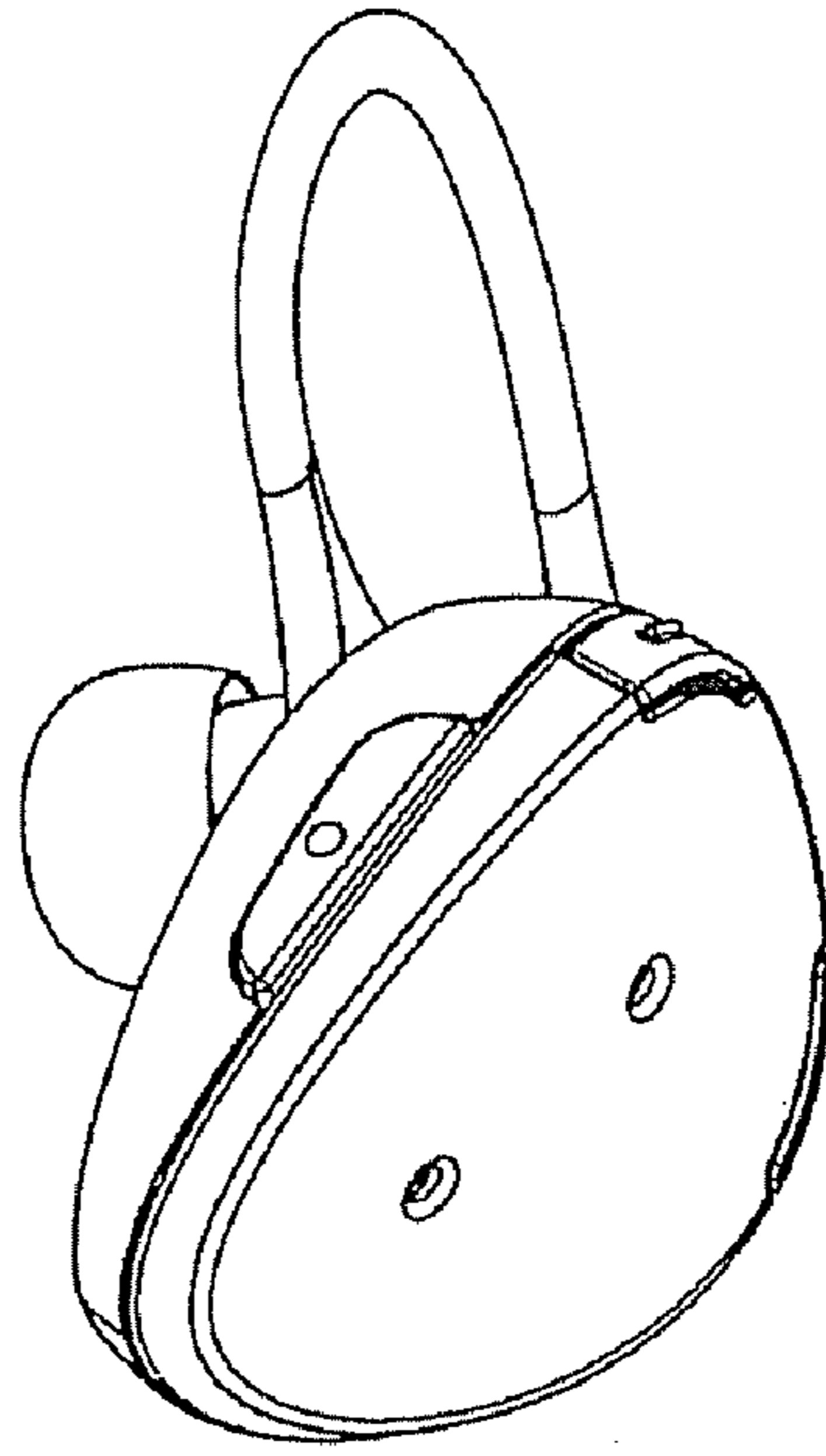


Fig. 7

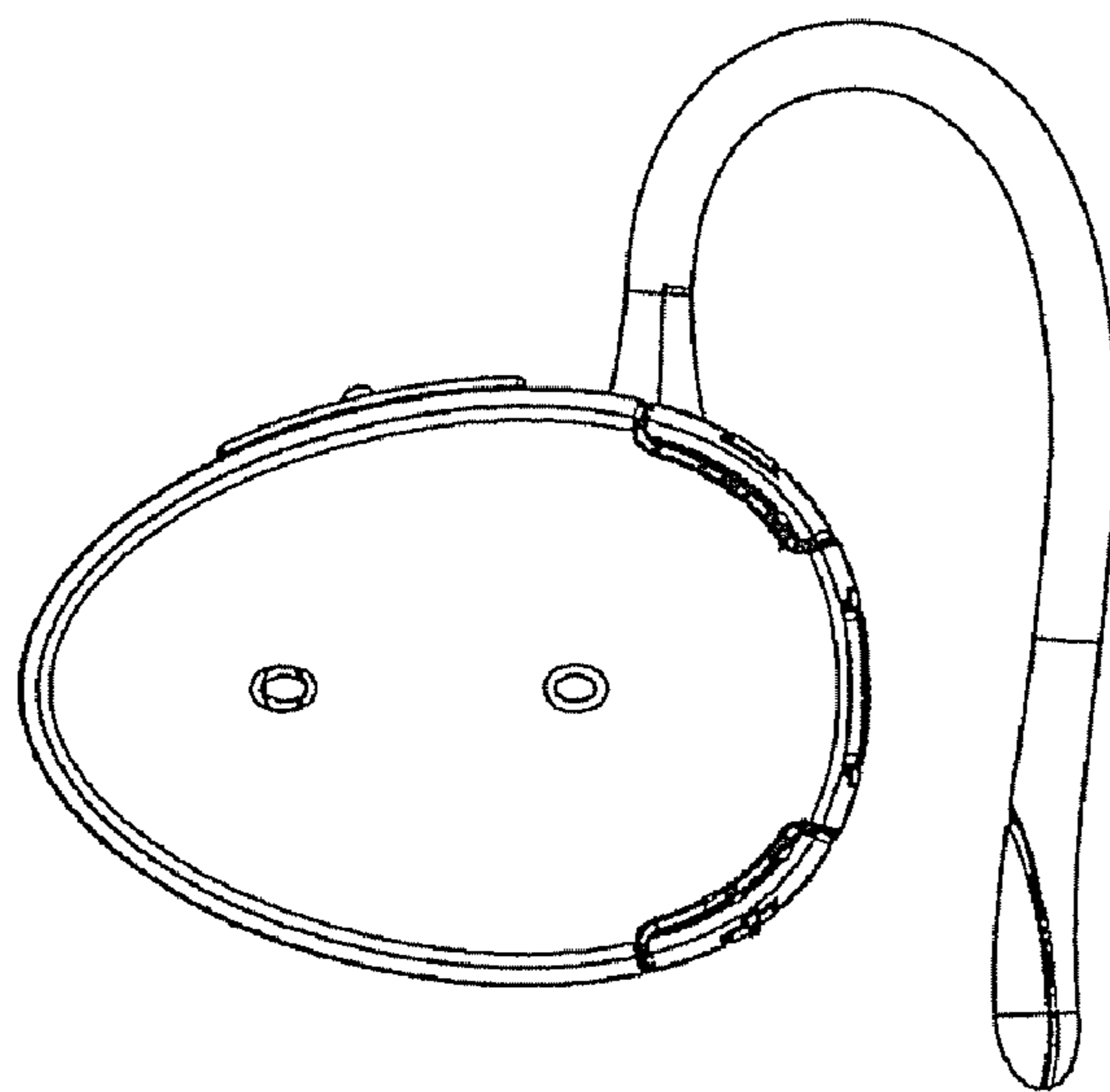


Fig. 8

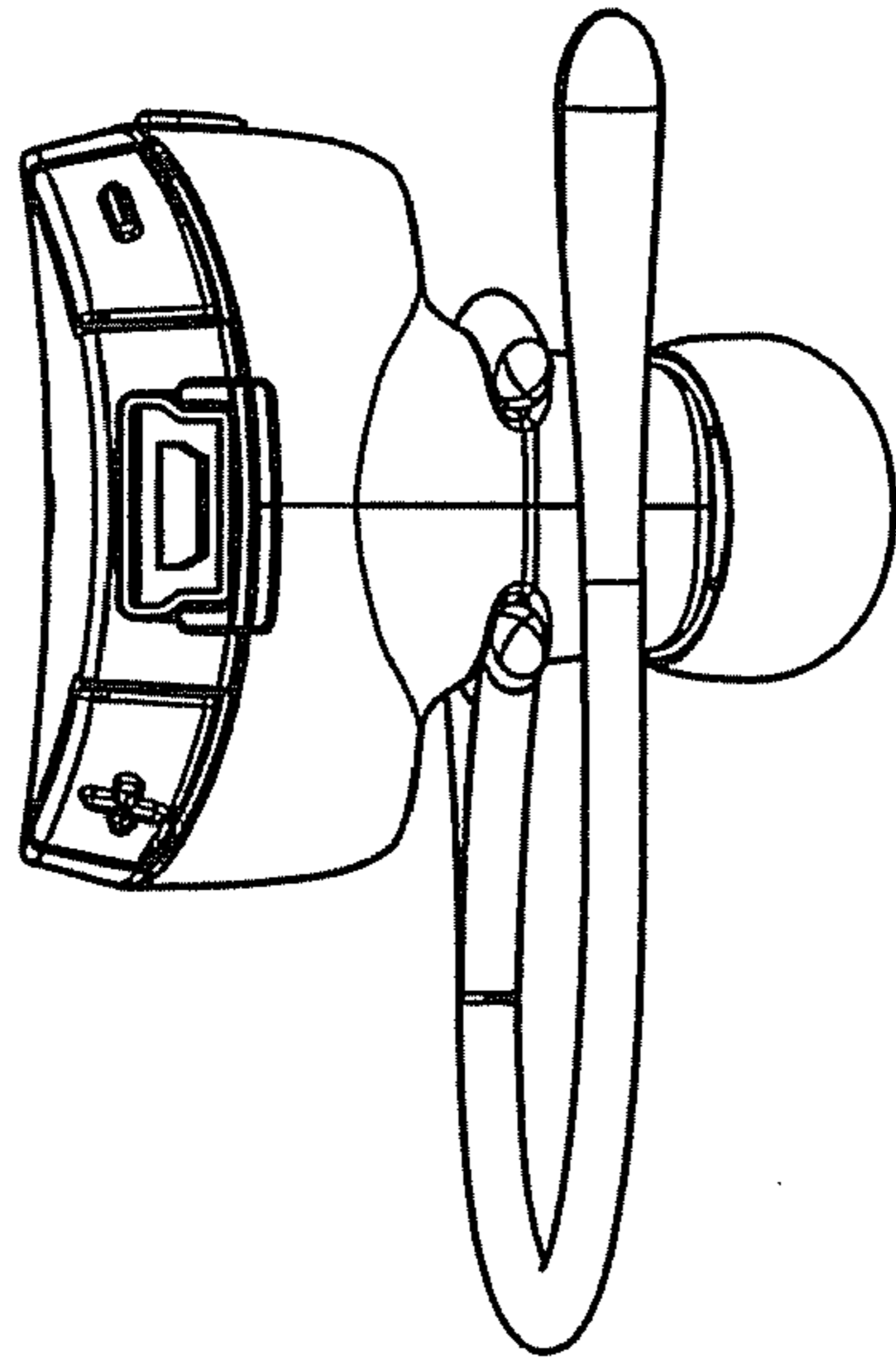


Fig. 9

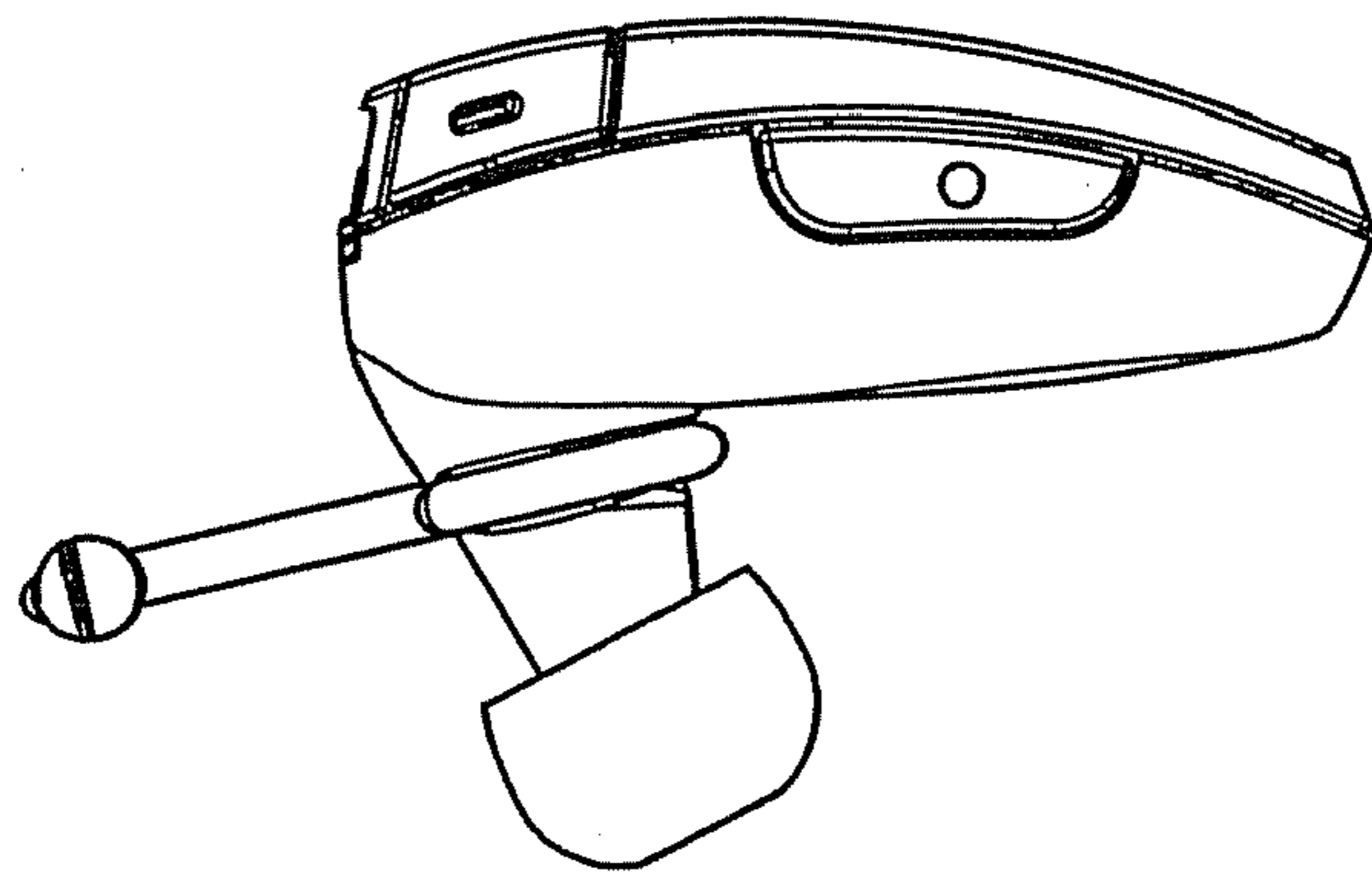


Fig. 10

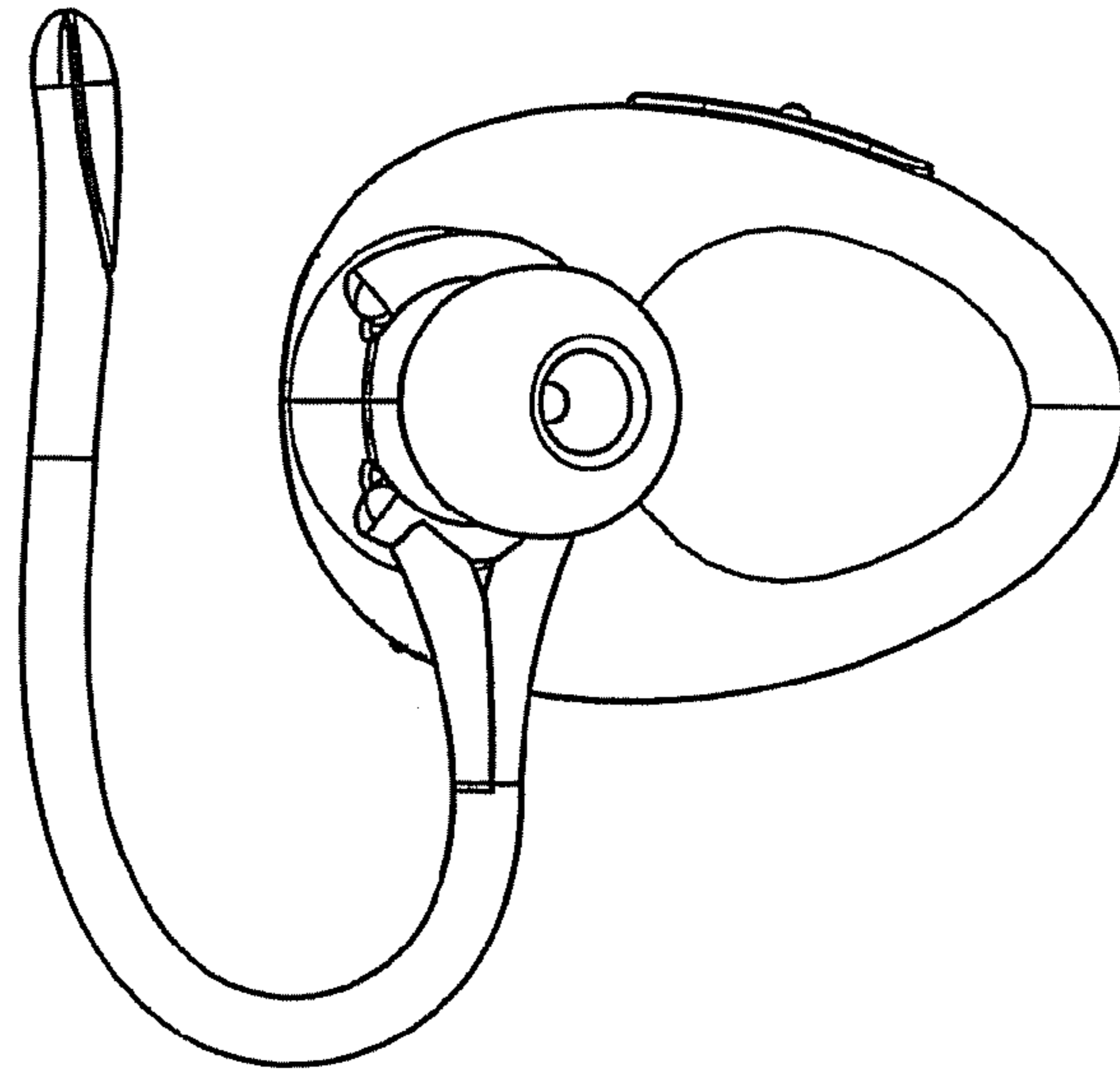


Fig. 11

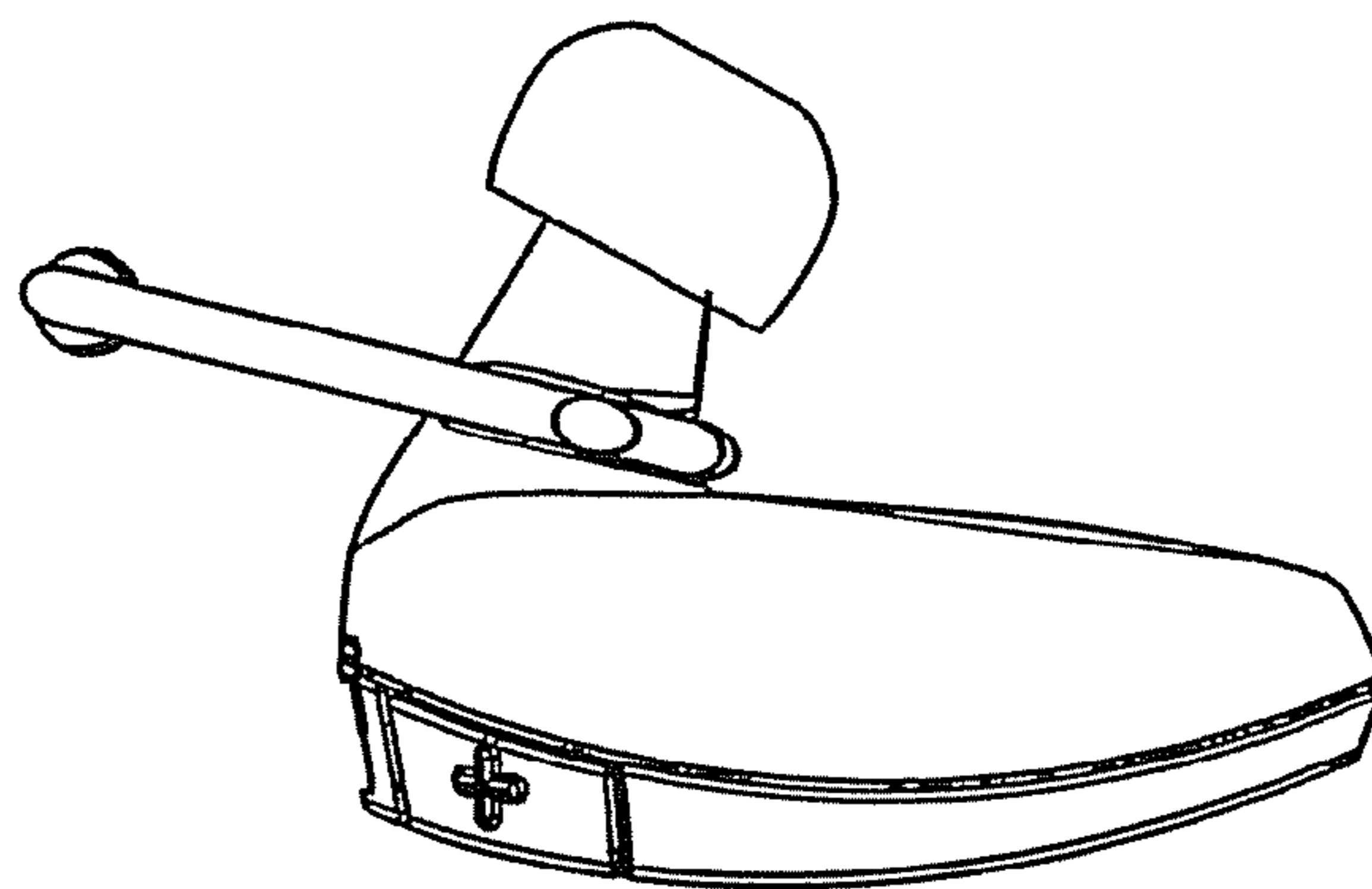


Fig. 12



Fig. 13

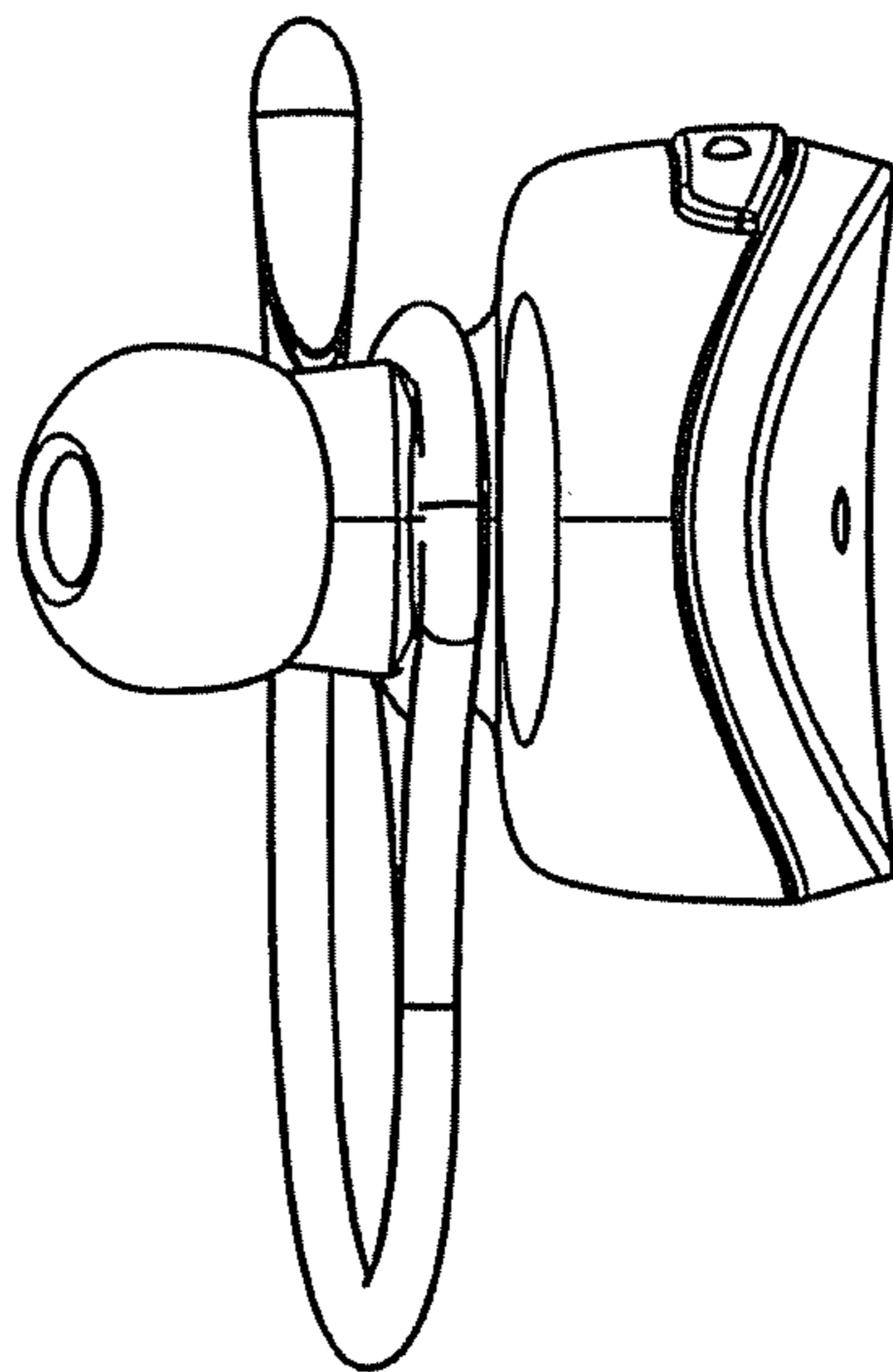


Fig. 14



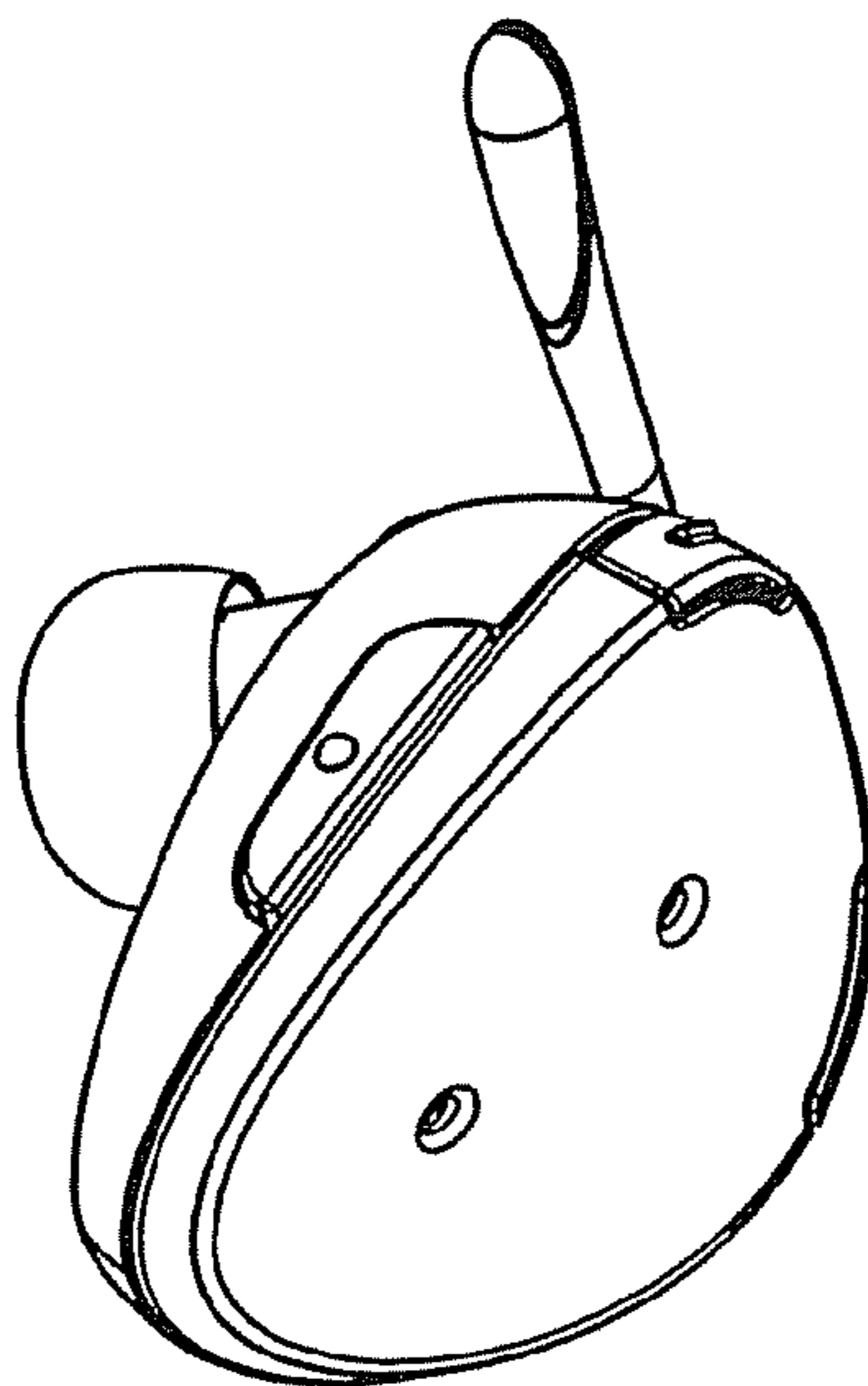


Fig. 15

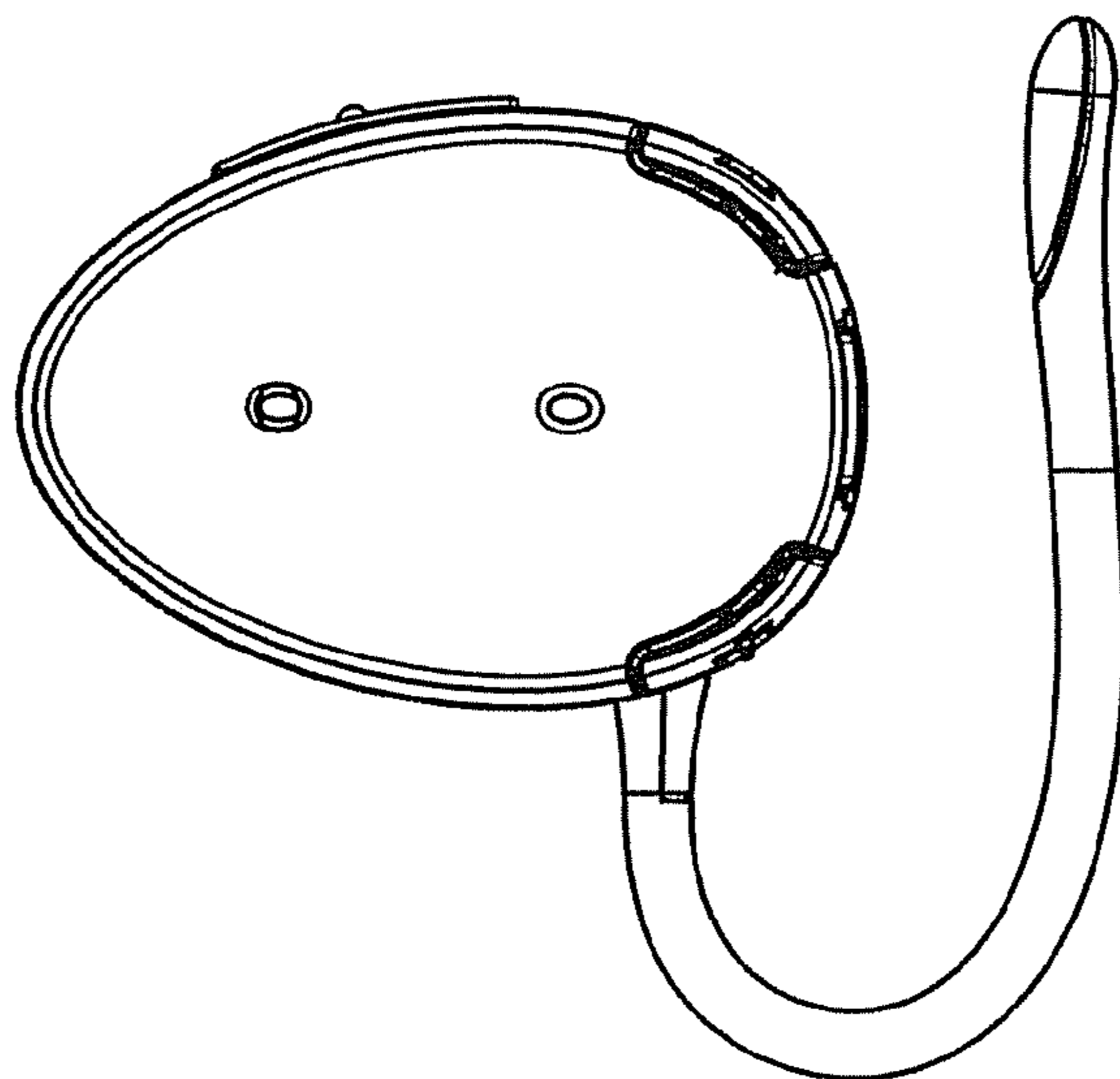


Fig. 16