



US00D574813S

(12) **United States Design Patent**
Abate et al.

(10) **Patent No.:** **US D574,813 S**

(45) **Date of Patent:** **** Aug. 12, 2008**

(54) **AUDIO SPEAKER**

(75) Inventors: **Vito J. Abate**, Toronto (CA); **Myron Samila**, Toronto (CA); **Fabio Venier**, Holland Landing (CA)

(73) Assignee: **Magna Aftermarket Inc.**, Aurora, Ontario (CA)

(**) Term: **14 Years**

(21) Appl. No.: **29/282,714**

(22) Filed: **Jul. 27, 2007**

(51) **LOC (8) Cl.** **14-01**

(52) **U.S. Cl.** **D14/216**

(58) **Field of Classification Search** D14/204,
D14/209–217, 496; 181/143–144, 147–148,
181/150, 157, 198–199, 151, 153; 381/300–302,
381/306, 333, 345, 361–364, 386–388, 332,
381/336

See application file for complete search history.

(56) **References Cited**

U.S. PATENT DOCUMENTS

D317,008 S * 5/1991 Emmerling D14/215

D342,739 S * 12/1993 Atkin et al. D14/217

D360,885 S * 8/1995 Sheu D14/215

D410,651 S * 6/1999 Suzuki D14/215

D415,159 S * 10/1999 Nakano D14/215

D465,212 S * 11/2002 Lytel D14/215

D487,076 S * 2/2004 Nakane et al. D14/216

* cited by examiner

Primary Examiner—Nanda Bondade

(74) *Attorney, Agent, or Firm*—Magna International Inc.

(57) **CLAIM**

The ornamental design for a audio speaker, as shown and described.

DESCRIPTION

FIG. 1 is a front perspective view of the audio speaker showing my new design;

FIG. 2 is a front view thereof;

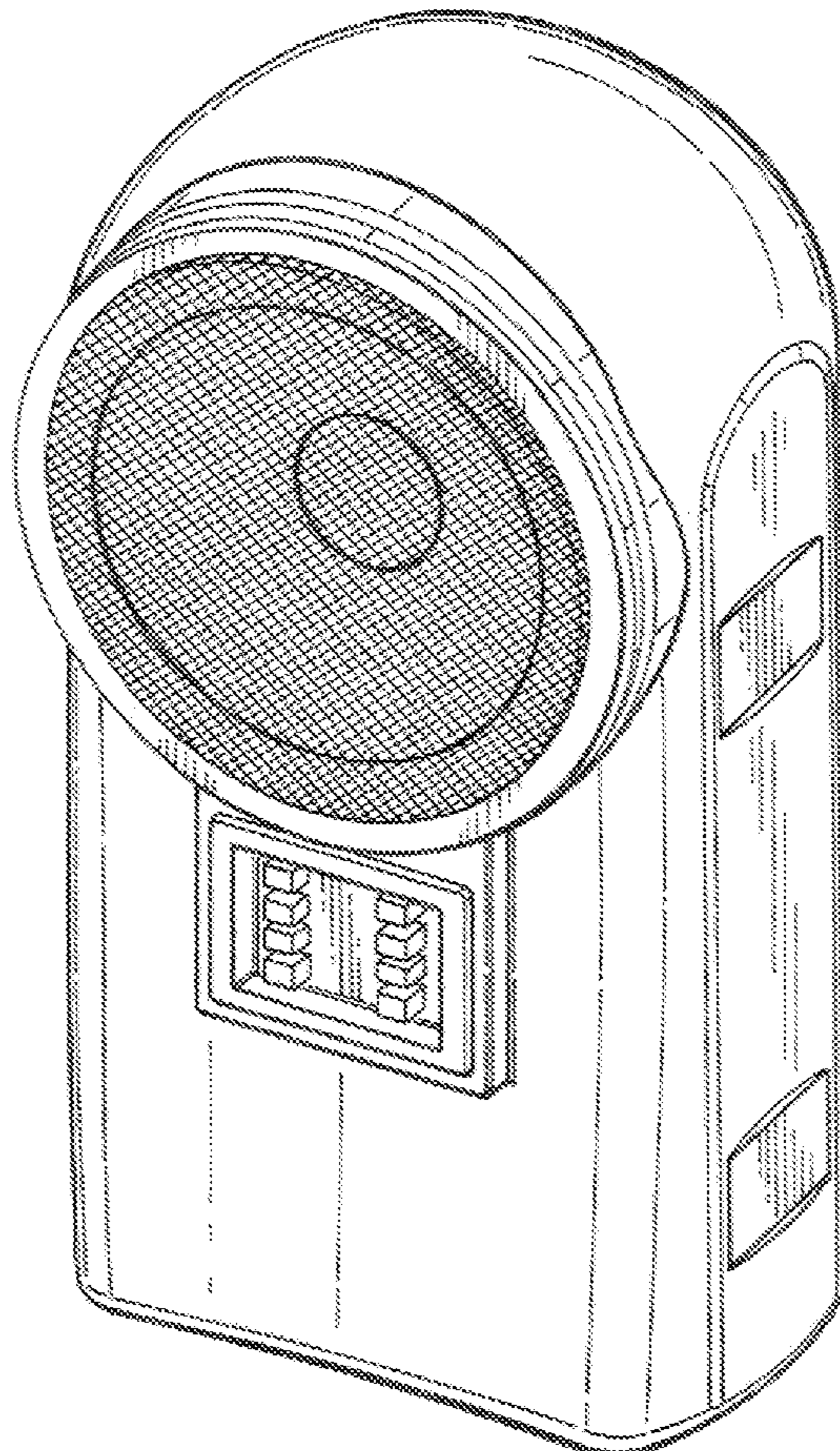
FIG. 3 is a side view thereof;

FIG. 4 is a rear view thereof;

FIG. 5 is a top view thereof; and,

FIG. 6 is a bottom view thereof.

1 Claim, 3 Drawing Sheets



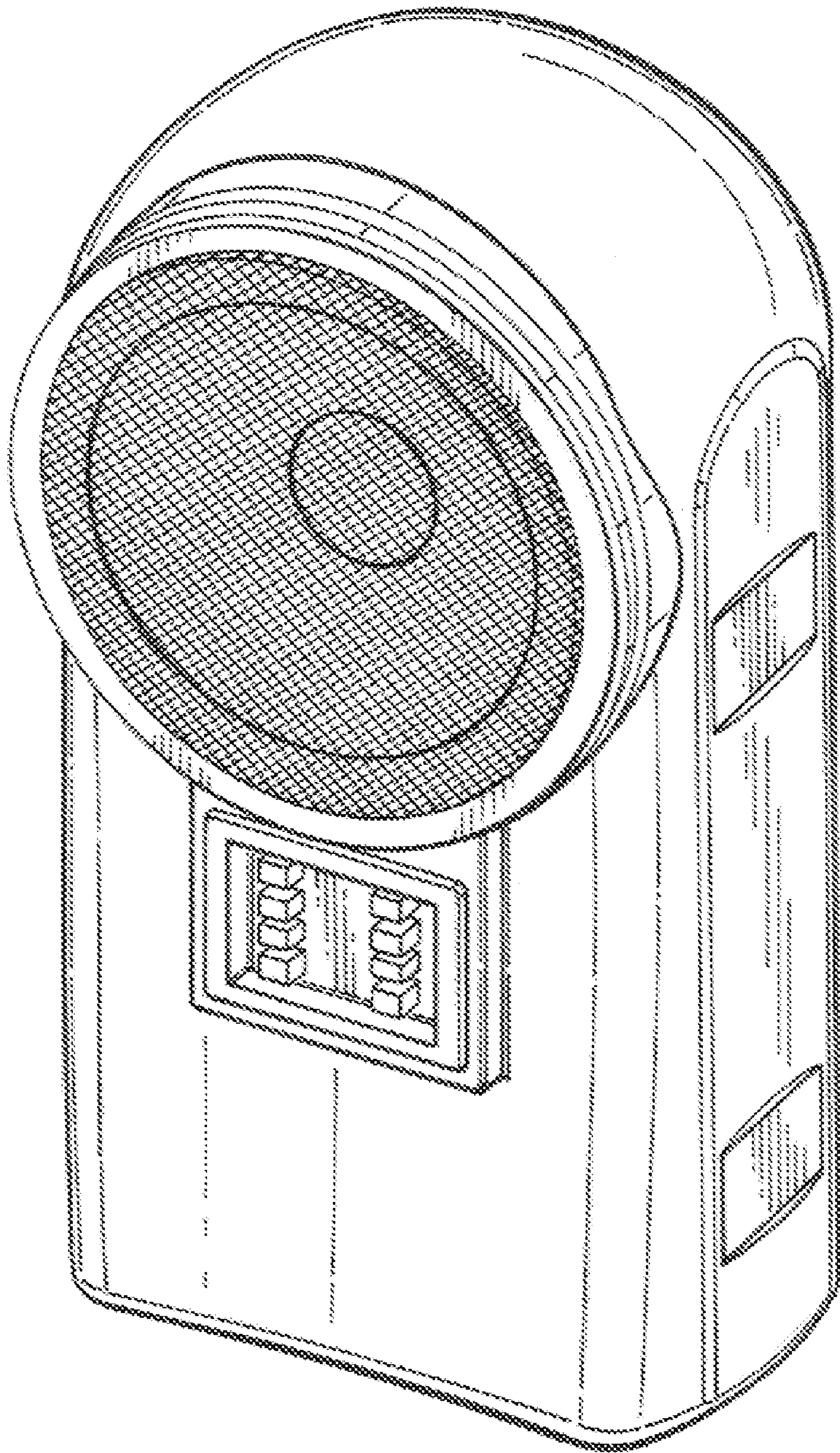


FIG. 1.

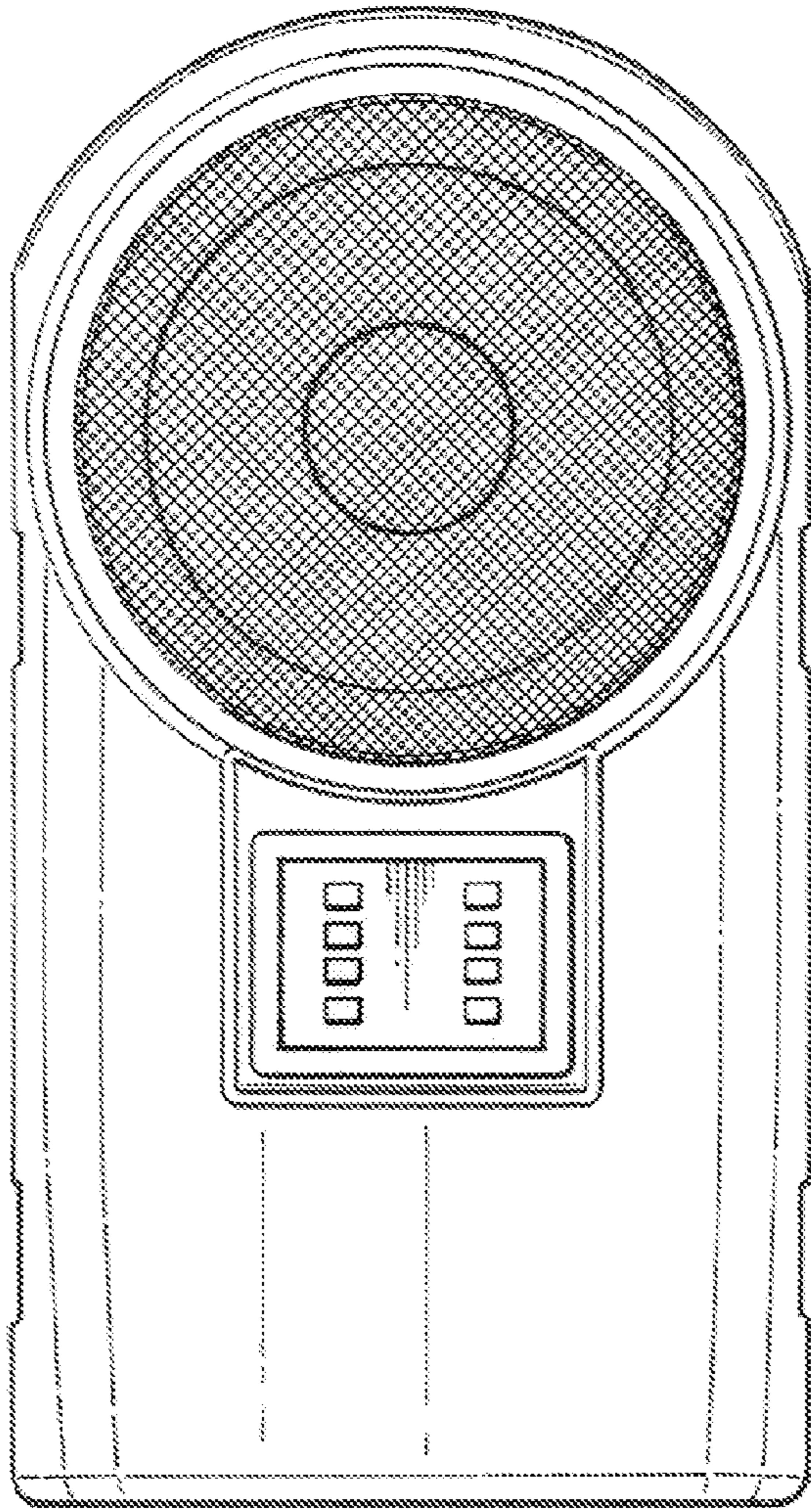


FIG. 2.

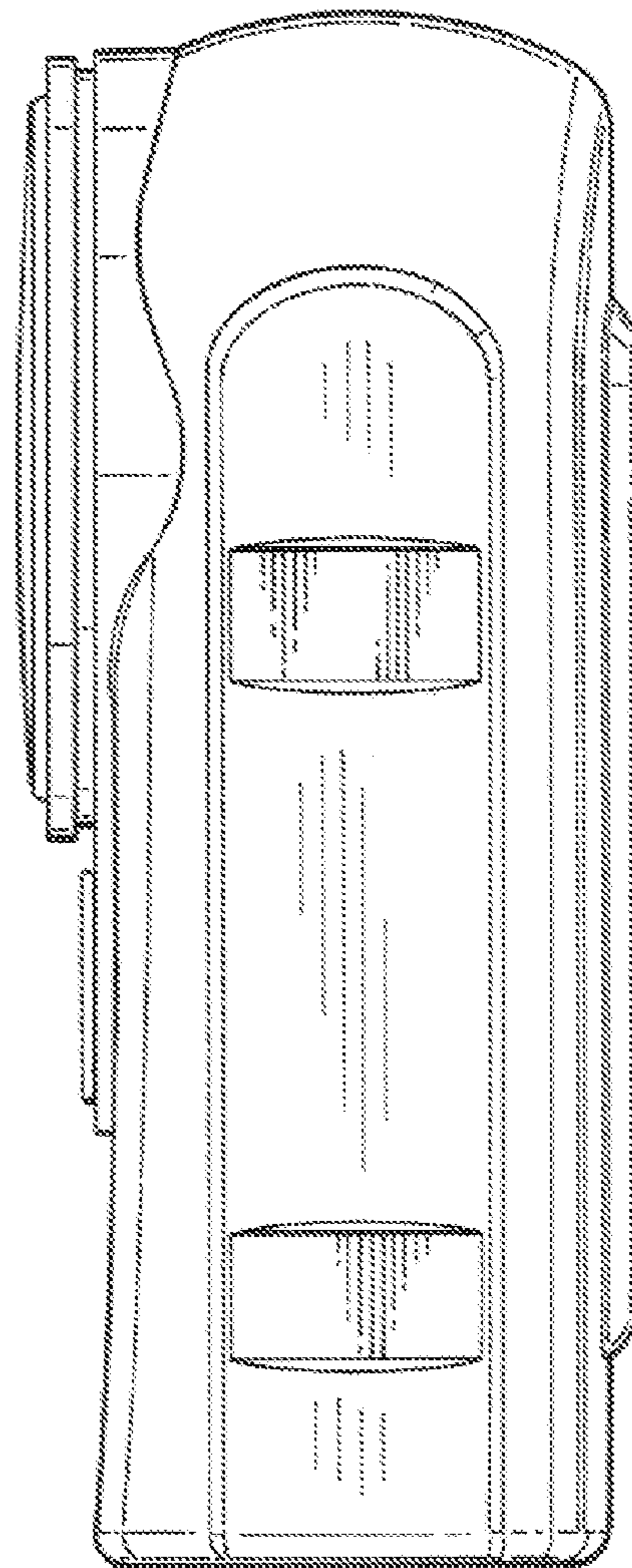


FIG. 3.

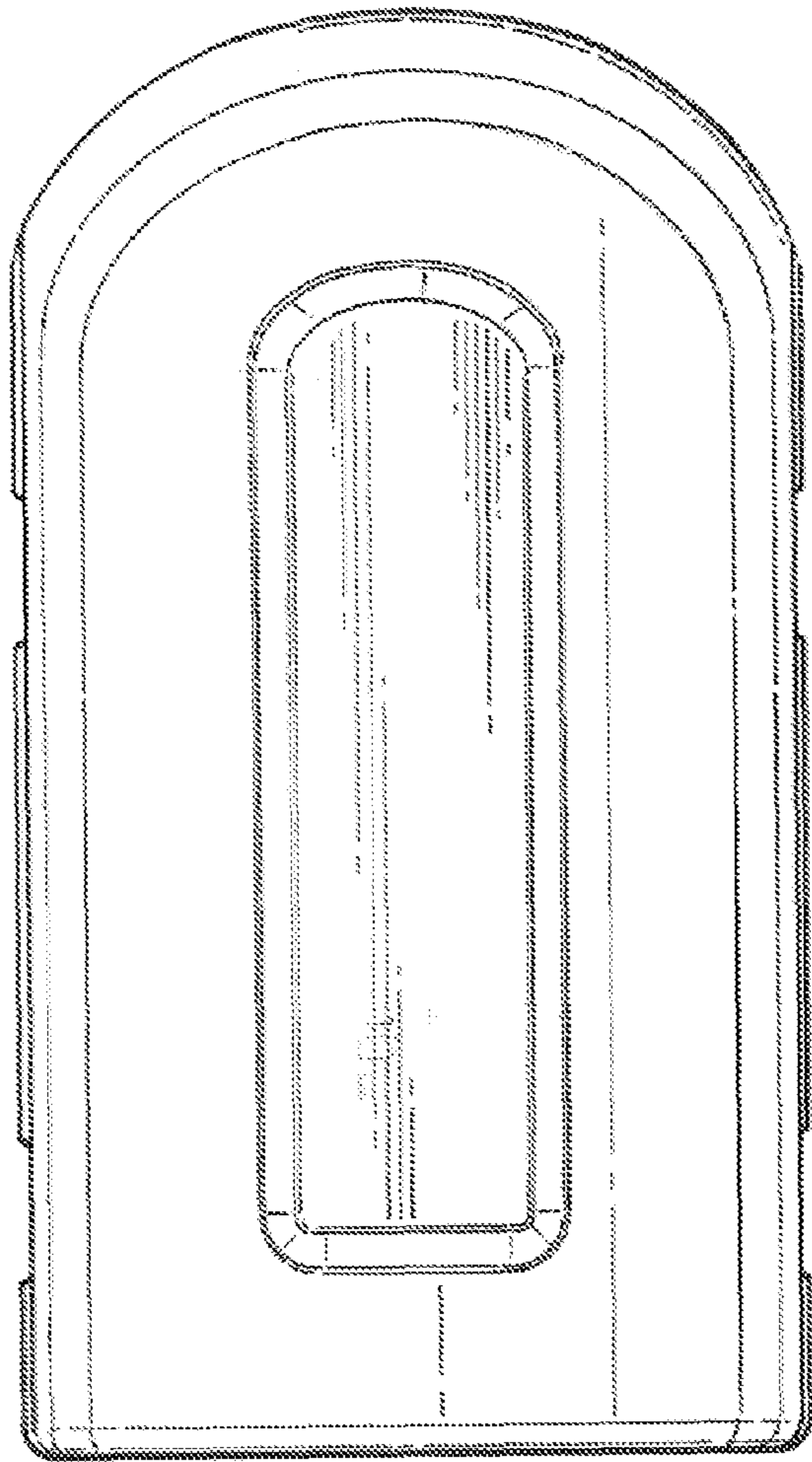


FIG. 4.

FIG. 5.

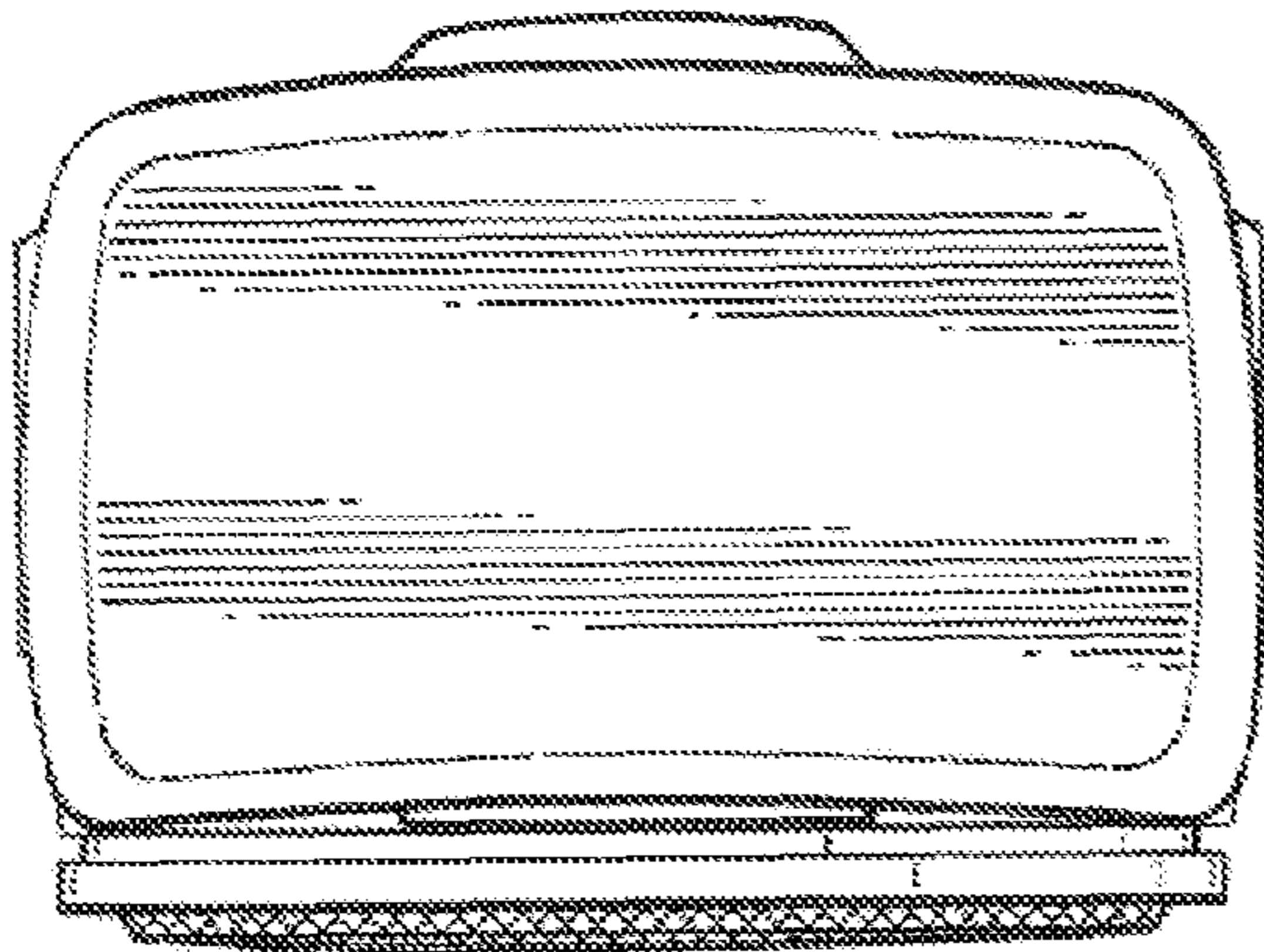
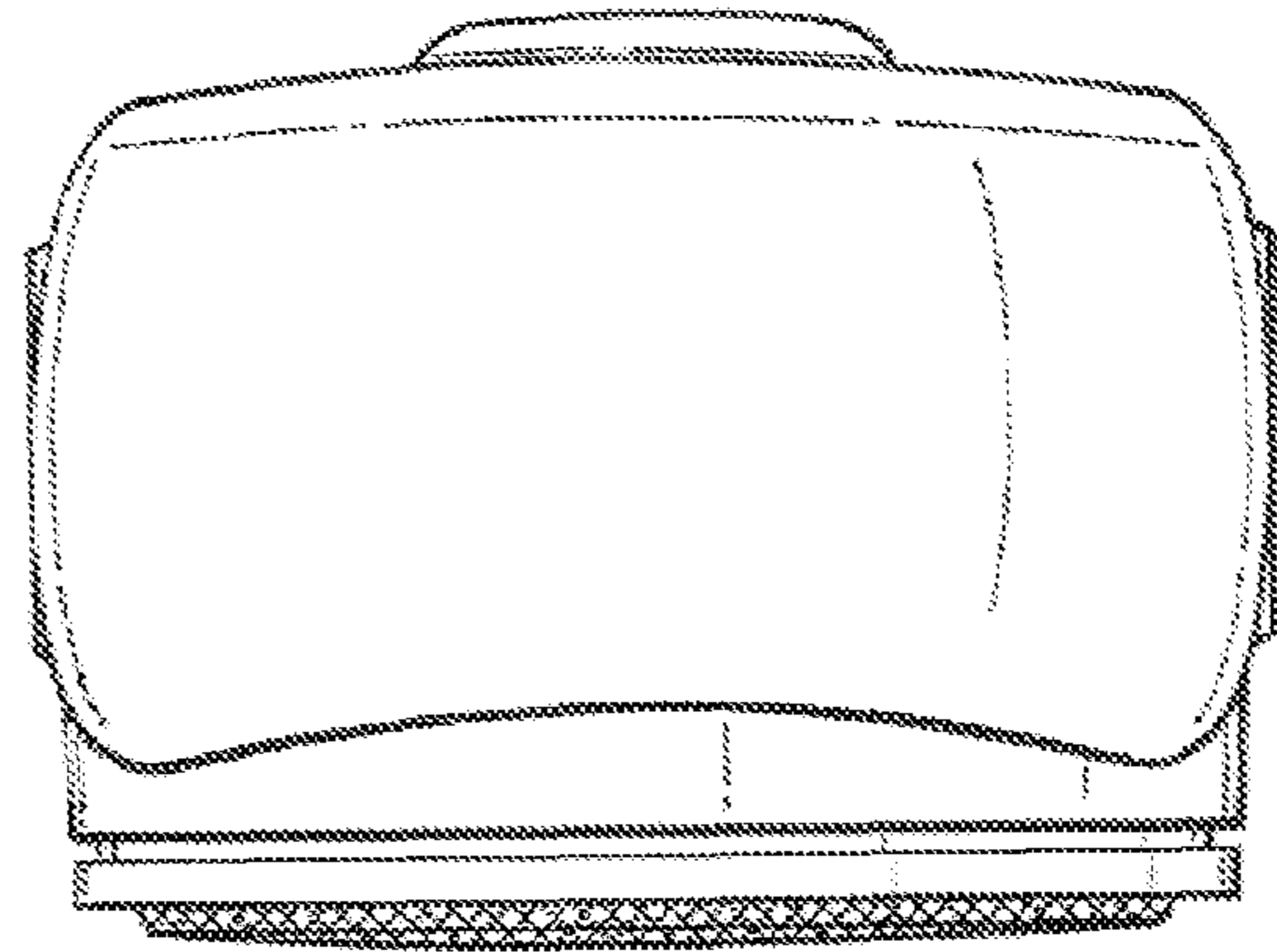


FIG. 6.