



US00D574812S

(12) **United States Design Patent**
Sei

(10) **Patent No.:** **US D574,812 S**

(45) **Date of Patent:** **** Aug. 12, 2008**

(54) **LOUDSPEAKER FOR VEHICLE**

D320,020 S * 9/1991 Iwano D14/216
6,095,278 A * 8/2000 Lin 181/148
6,282,297 B1 * 8/2001 Lin 381/386

(75) Inventor: **Kazufumi Sei**, Tokyo (JP)

(73) Assignee: **Victor Company of Japan, Limited**,
Yokohama-shi (JP)

* cited by examiner

Primary Examiner—Nanda Bondade
(74) *Attorney, Agent, or Firm*—Nath Law Group; Jerald L.
Meyer; Derek Richmond

(**) Term: **14 Years**

(21) Appl. No.: **29/274,956**

(57) **CLAIM**

(22) Filed: **Jun. 12, 2007**

The ornamental design for a loudspeaker for vehicle, as shown and described.

(30) **Foreign Application Priority Data**

Dec. 19, 2006 (JP) 2006-034790

DESCRIPTION

(51) **LOC (8) Cl.** **14-01**

FIG. 1 is a perspective view of a loudspeaker for vehicle;

(52) **U.S. Cl.** **D14/216**

FIG. 2 is a front view thereof;

(58) **Field of Classification Search** D14/204,
D14/209–216, 219–220; 181/143–144, 147–148,
181/150, 157, 198–199, 151, 153; 381/300–302,
381/306, 333, 345, 361–364, 386–388, 32,
381/336

FIG. 3 is a rear view thereof;

FIG. 4 is a left side view thereof;

FIG. 5 is a right side view thereof;

FIG. 6 is a top plan view thereof; and,

FIG. 7 is a bottom plan view thereof.

See application file for complete search history.

The broken lines showing on the drawing disclosure are for illustrative purposes only and form no part of the claimed design.

(56) **References Cited**

U.S. PATENT DOCUMENTS

D188,542 S * 8/1960 Levy et al. D14/216
D289,041 S * 3/1987 Bittencourt D14/216

1 Claim, 5 Drawing Sheets

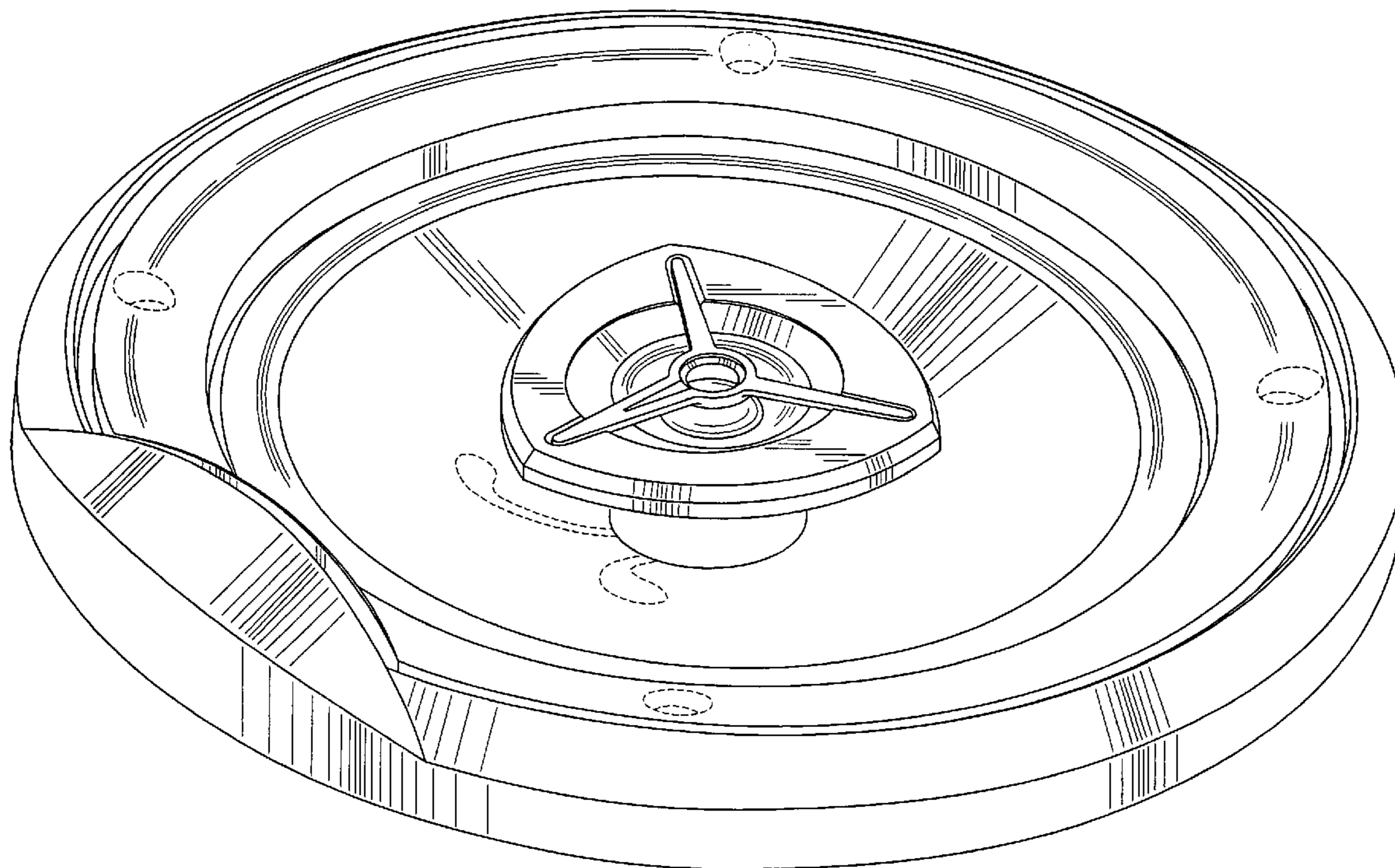


Fig.1

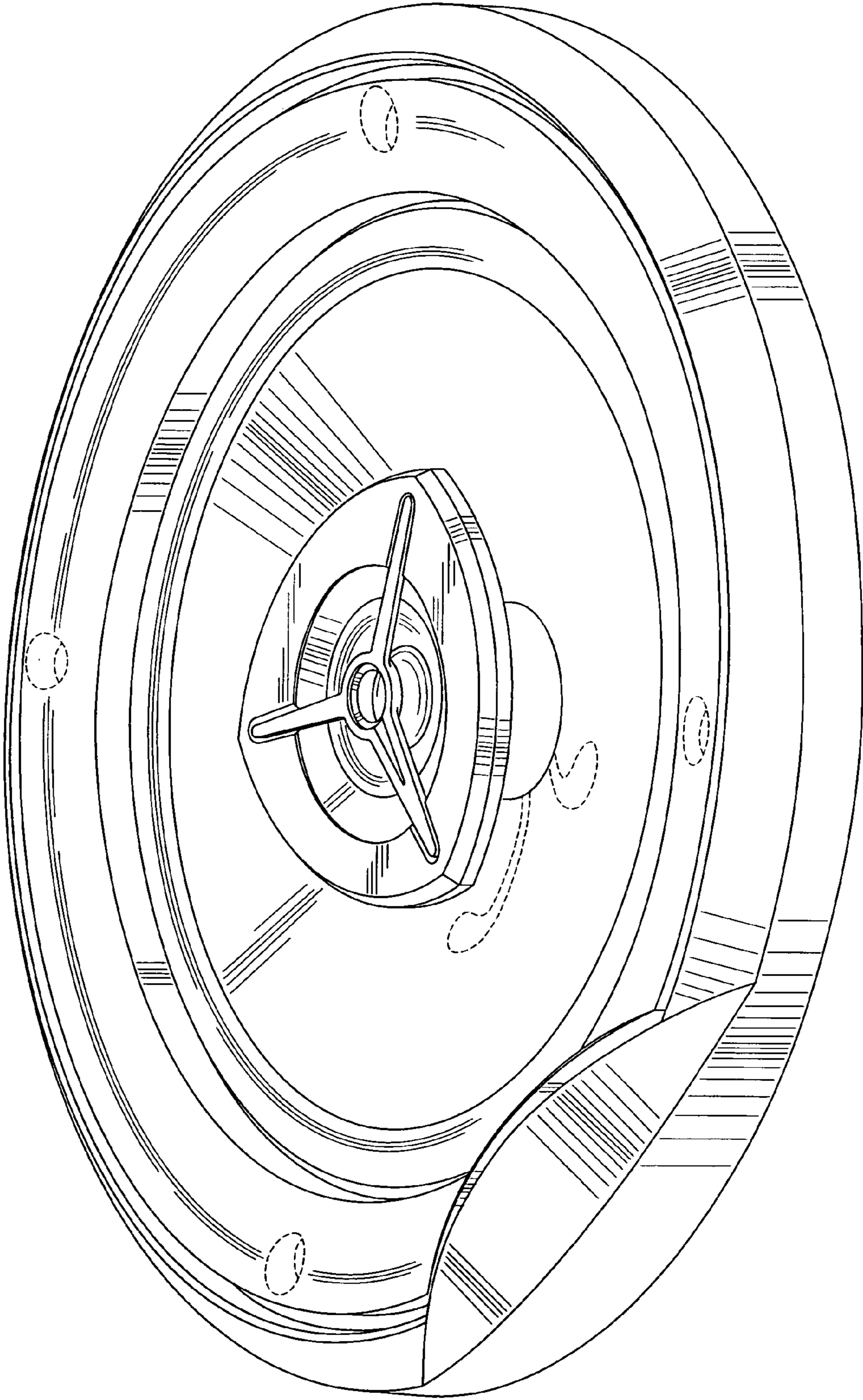


Fig.2

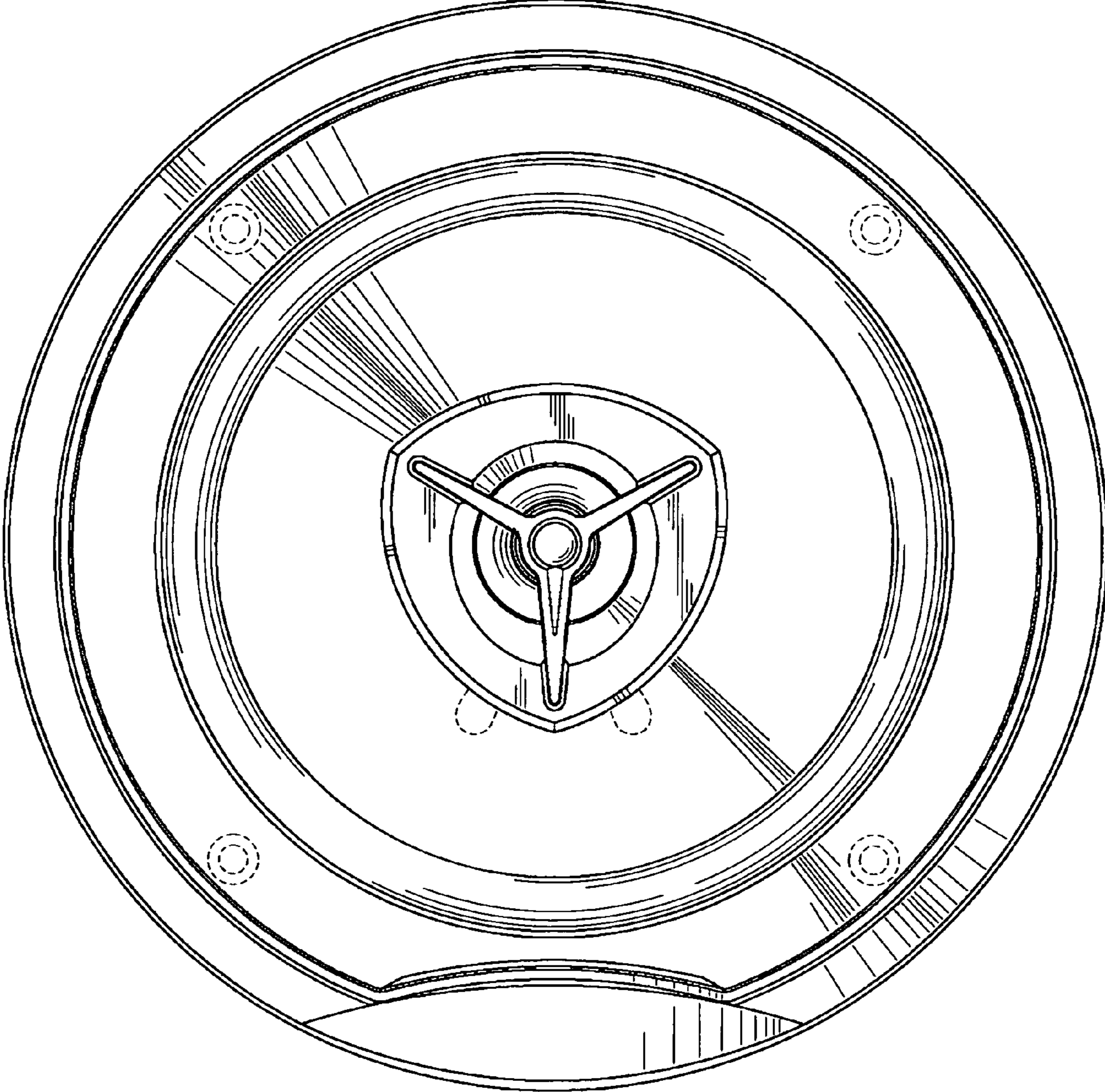


Fig.3

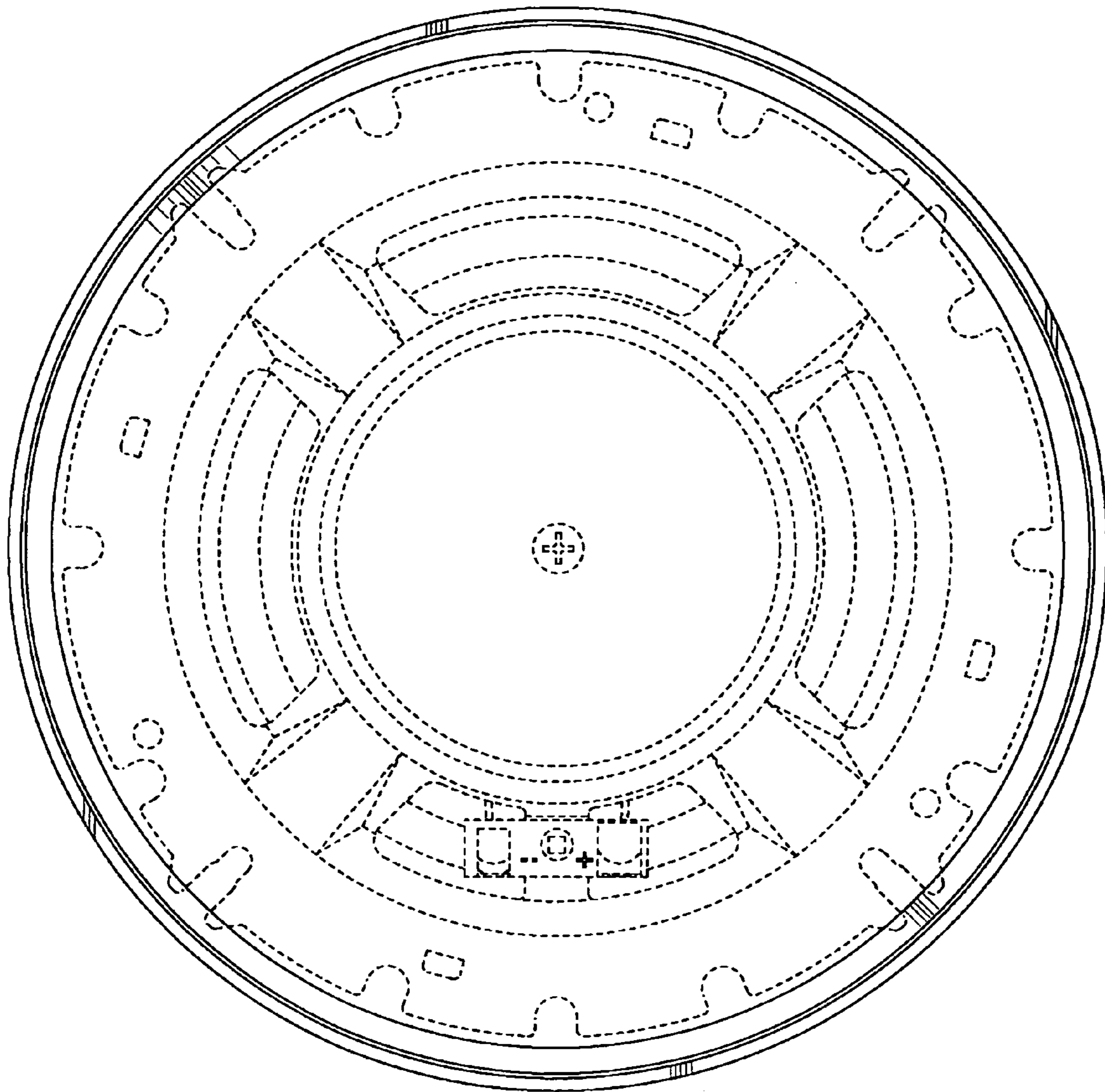


Fig.4

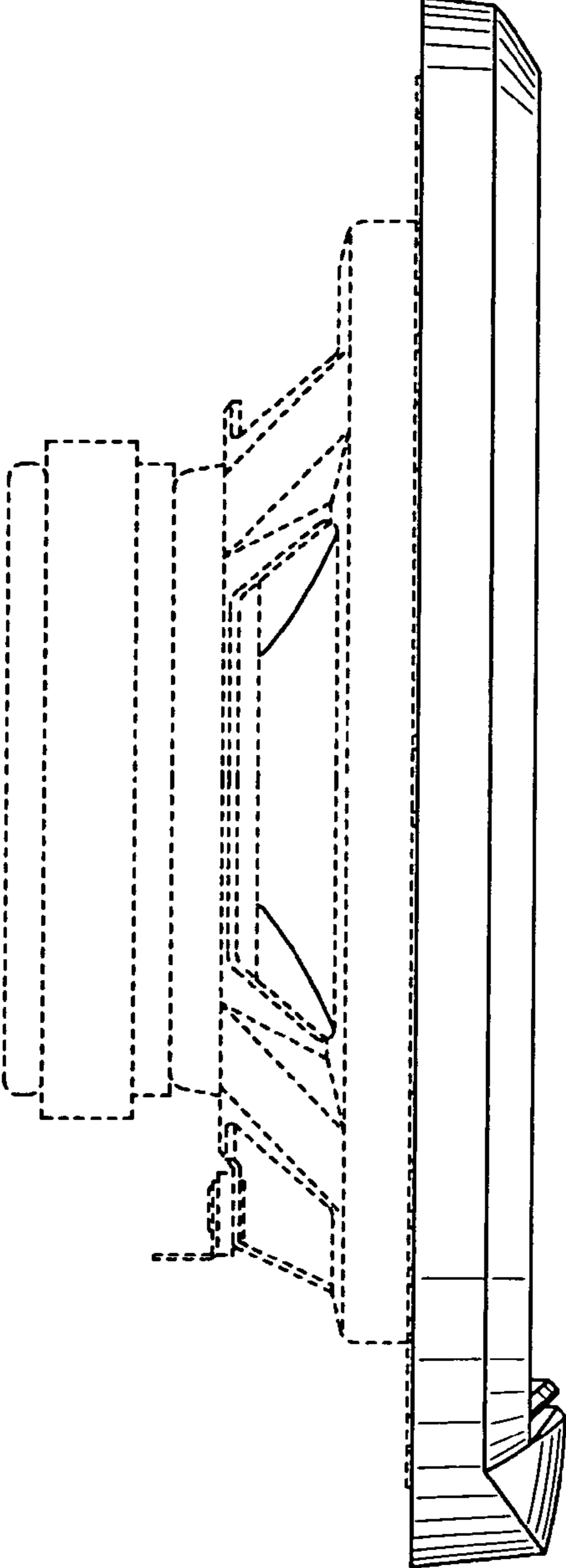


Fig.5

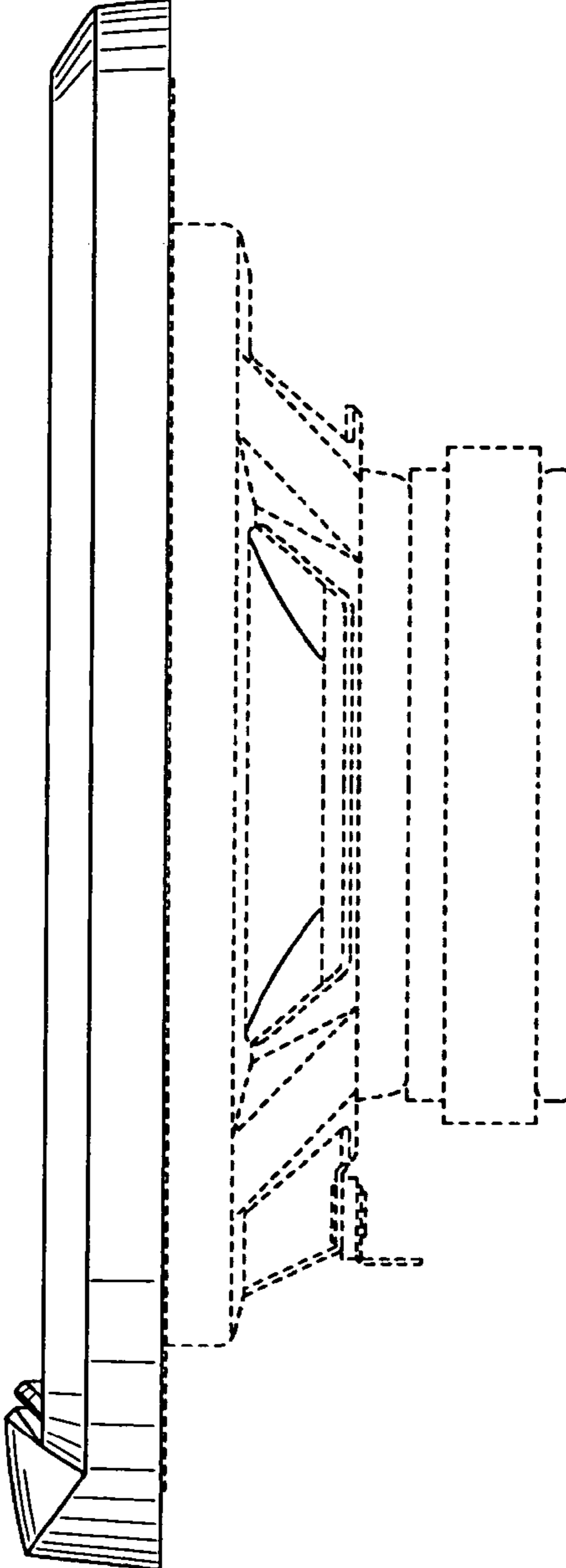


Fig.6

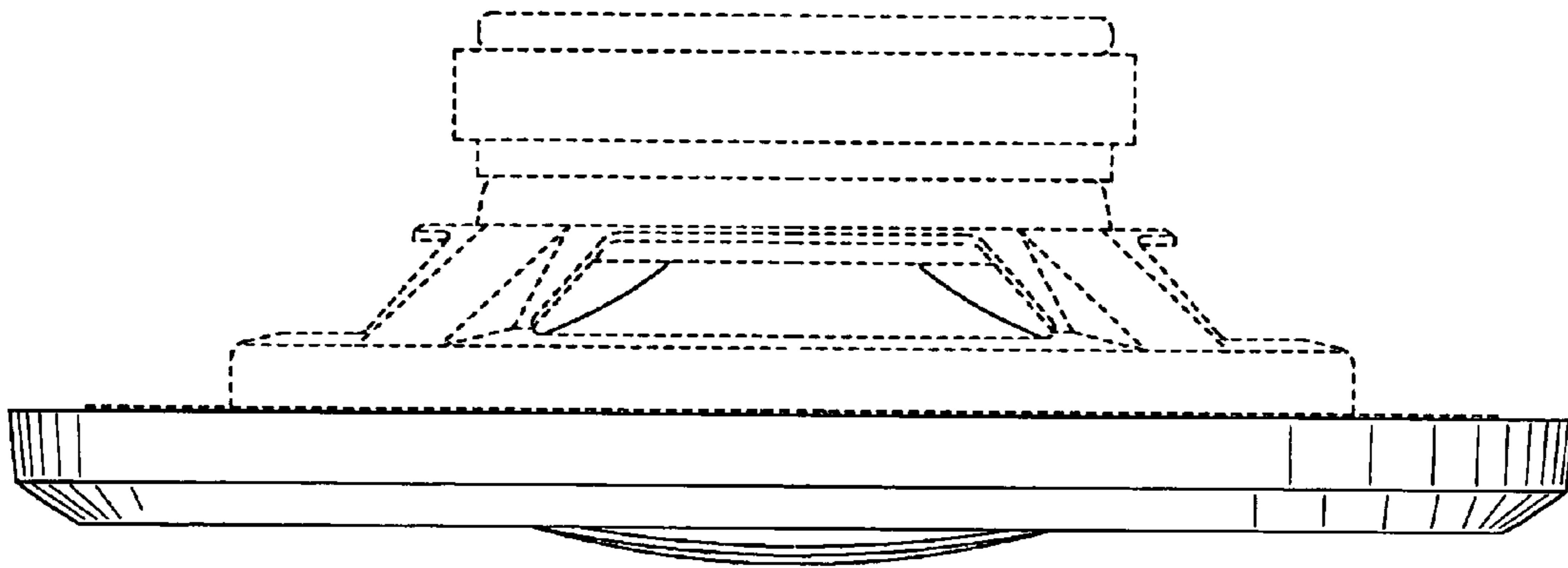


Fig.7

