



US00D574811S

(12) **United States Design Patent**
Zhang

(10) **Patent No.:** **US D574,811 S**

(45) **Date of Patent:** **** Aug. 12, 2008**

(54) **MULTIMEDIA AMPLIFIED SPEAKER**

(57) **CLAIM**

(75) Inventor: **Wendong Zhang**, Beijing (CN)

I claim the ornamental design for a multimedia amplified speaker, as shown and described.

(73) Assignee: **Beijing Edifier Technology Co., Ltd.**,
Beijing (CN)

(**) Term: **14 Years**

DESCRIPTION

(21) Appl. No.: **29/239,513**

FIG. 1 is a front elevational view of a left satellite speaker component of a multimedia amplified speaker, shown separately for clarity of illustration;

(22) Filed: **Sep. 30, 2005**

FIG. 2 is rear elevational view thereof;

(51) **LOC (8) Cl.** **14-01**

(52) **U.S. Cl.** **D14/216**

(58) **Field of Classification Search** D14/204,
D14/209-216, 172; 181/143-144, 147-148,
181/150, 157, 198-199, 151, 153; 381/300-302,
381/306, 333, 345, 361-364, 386-388, 332,
381/336

FIG. 3 is a left side elevational view thereof;

FIG. 4 is a right side elevational view thereof;

FIG. 5 is a bottom plan view thereof;

FIG. 6 is a top plan view thereof;

FIG. 7 is a front elevational view of a right satellite speaker component of a multimedia amplified speaker, shown separately for clarity of illustration;

See application file for complete search history.

FIG. 8 is rear elevational view of FIG. 7;

FIG. 9 is a left side elevational view of FIG. 7;

FIG. 10 is a right side elevational view of FIG. 7;

FIG. 11 is a bottom plan view of FIG. 7;

FIG. 12 is a top plan view of FIG. 7;

FIG. 13 is a front elevational view of a bass speaker component of a multimedia amplified speaker, shown separately for clarity of illustration;

(56) **References Cited**

U.S. PATENT DOCUMENTS

2,896,737	A *	7/1959	Gellman	181/153
4,756,382	A *	7/1988	Hudson, III	181/156
D375,746	S *	11/1996	Wu	D14/216
D466,887	S *	12/2002	Lewis	D14/216
D487,076	S *	2/2004	Nakane et al.	D14/216
D487,737	S *	3/2004	Lewis	D14/215
D496,351	S *	9/2004	Allen	D14/211
D505,131	S *	5/2005	Lee et al.	D14/215

FIG. 14 is a rear elevational view of FIG. 13;

FIG. 15 is a left side elevational view of FIG. 13;

FIG. 16 is a right side elevational view of FIG. 13;

FIG. 17 is a bottom plan view of FIG. 13;

FIG. 18 is a top plan view of FIG. 13; and,

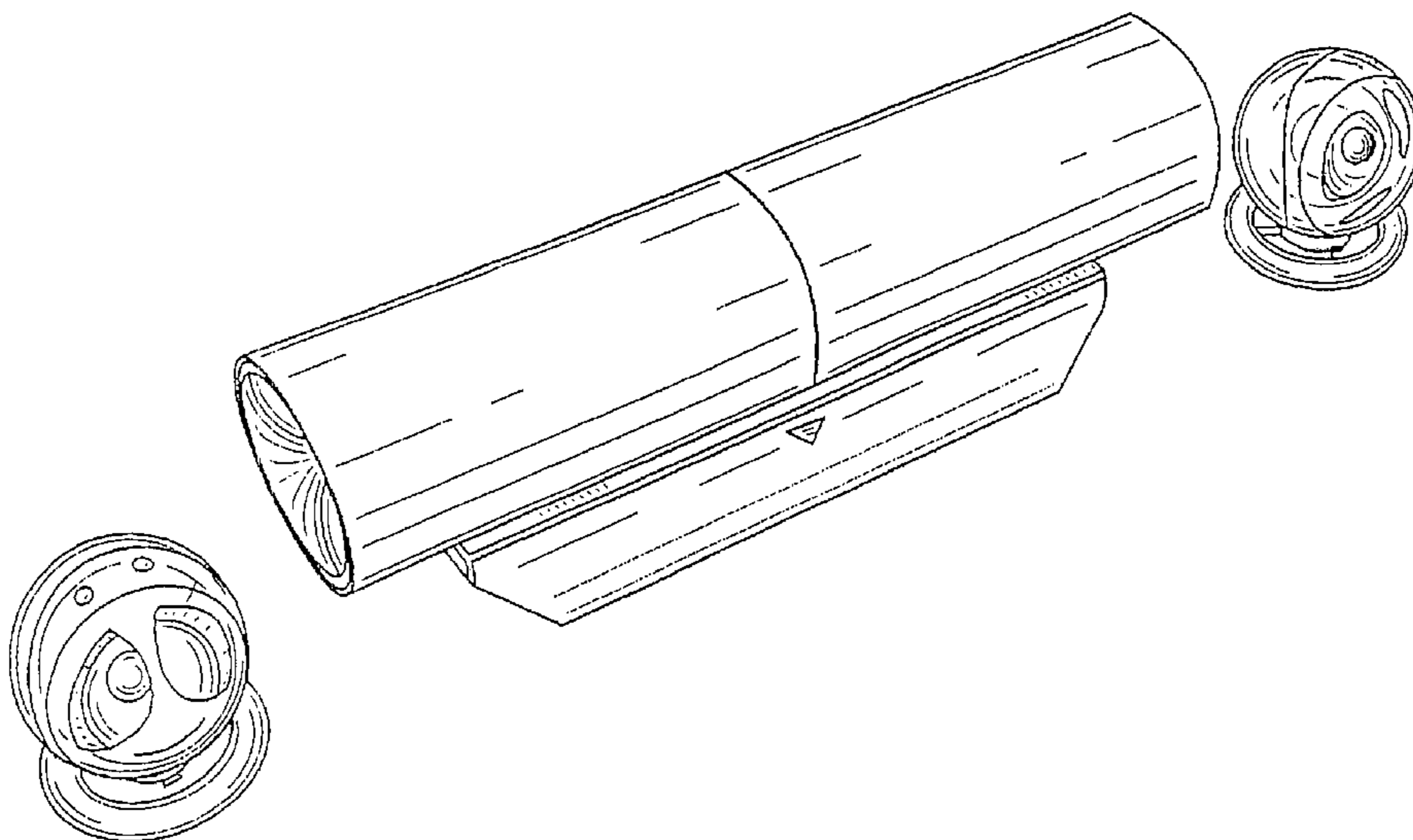
FIG. 19 is a perspective view of the multimedia amplified speaker.

* cited by examiner

Primary Examiner—Nanda Bondade

(74) *Attorney, Agent, or Firm*—Lackenbach Siegel, LLP;
Myron Greenspan

1 Claim, 12 Drawing Sheets



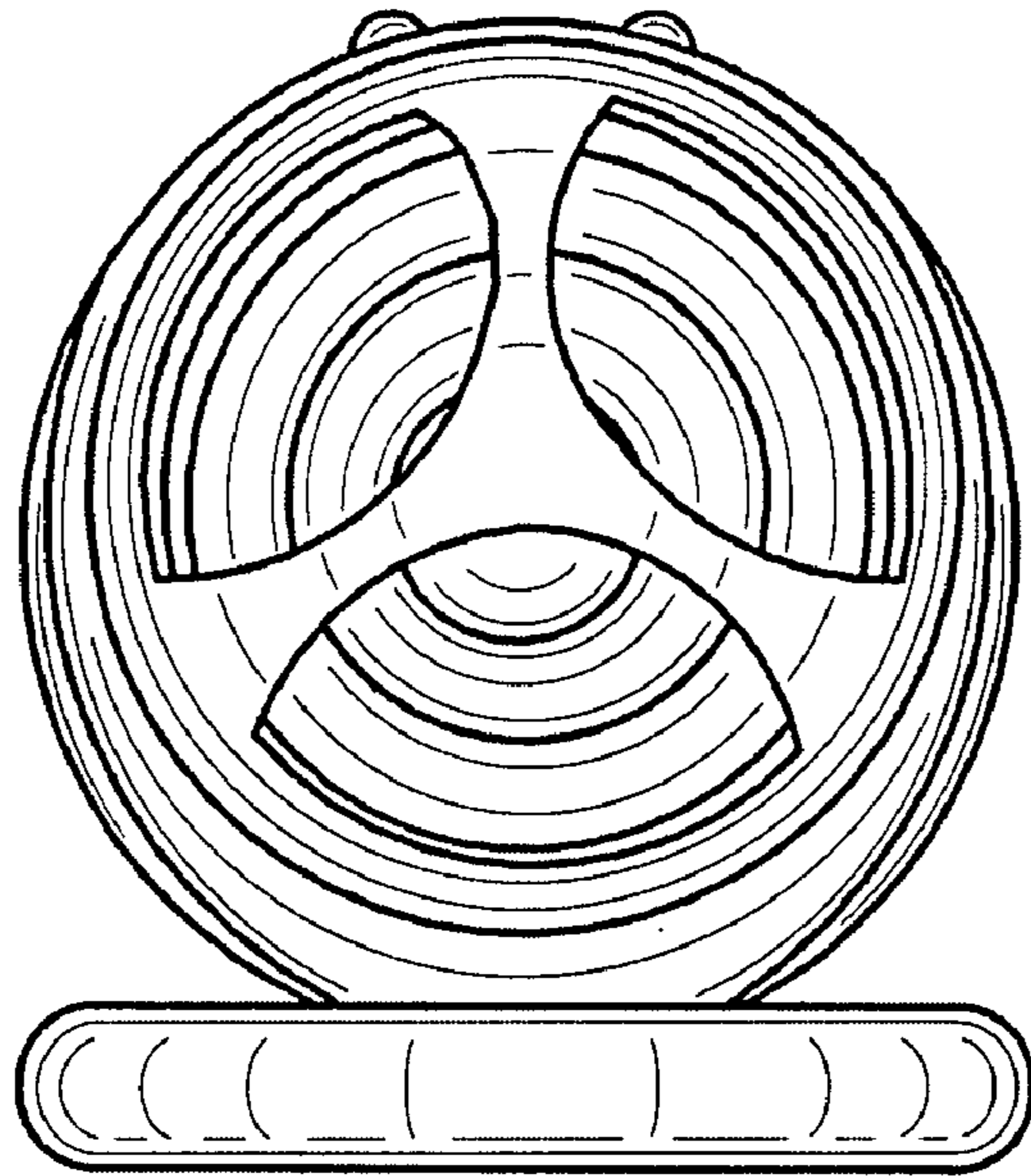


FIG. 1

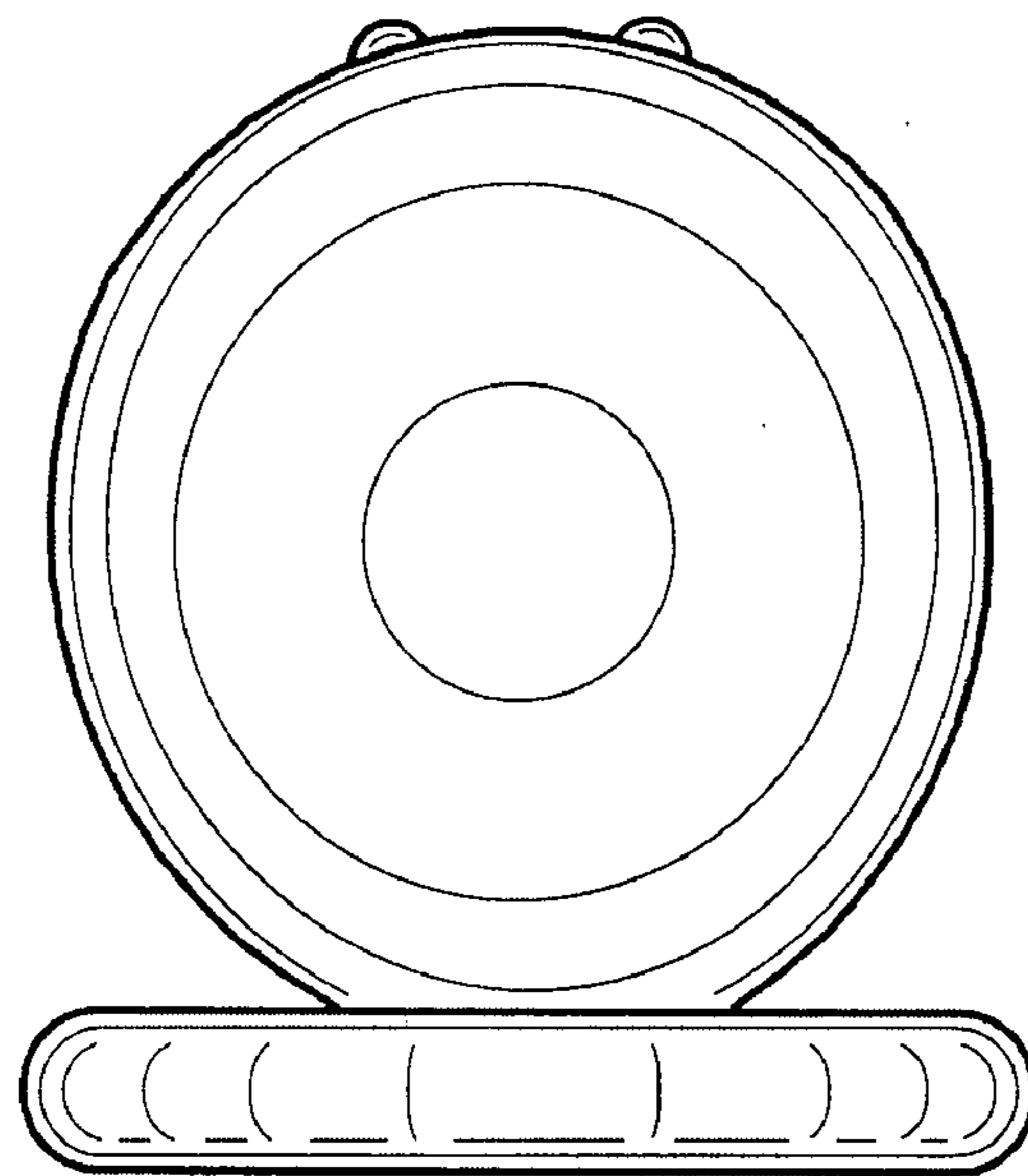


FIG. 2

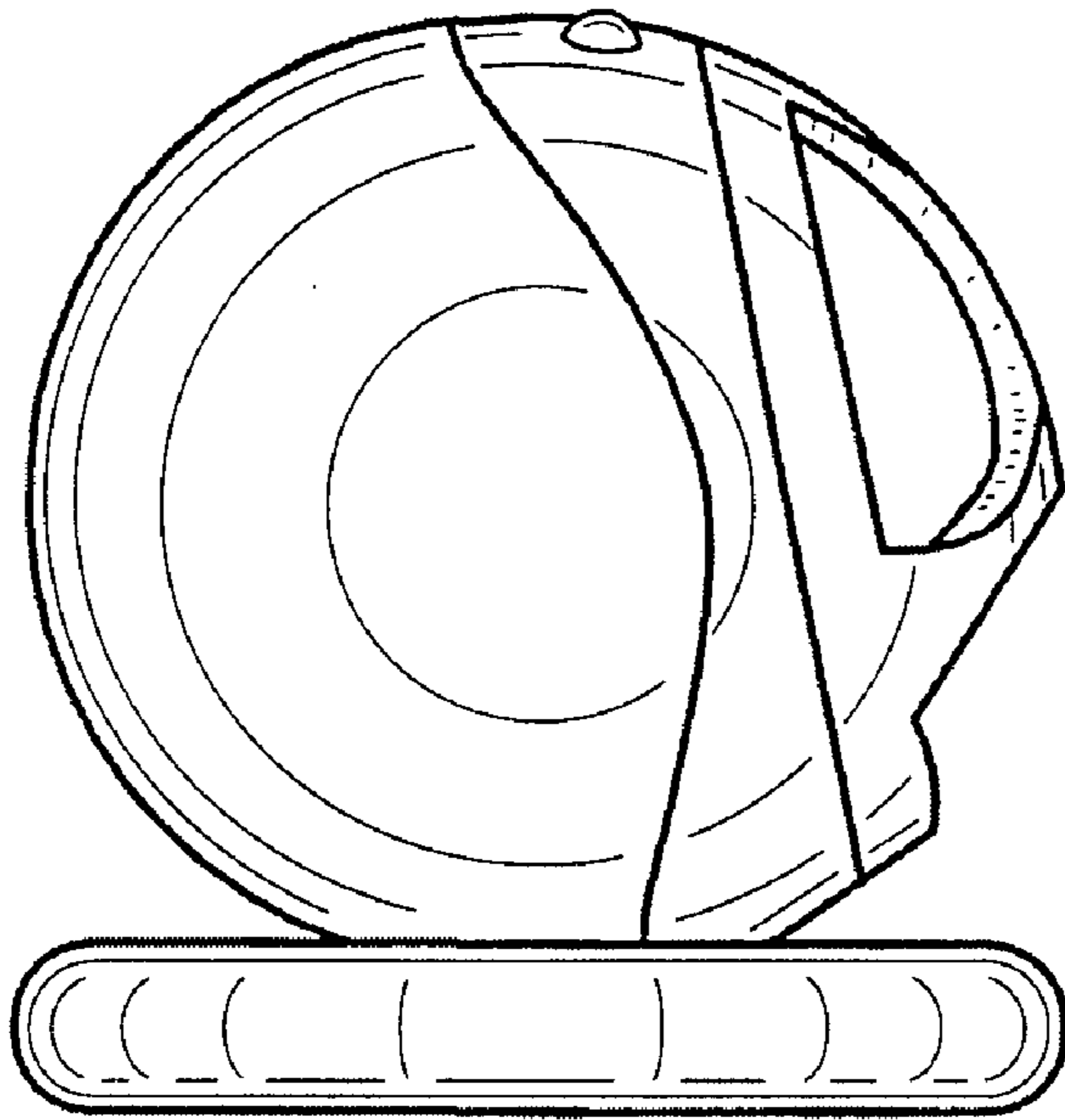


FIG. 3

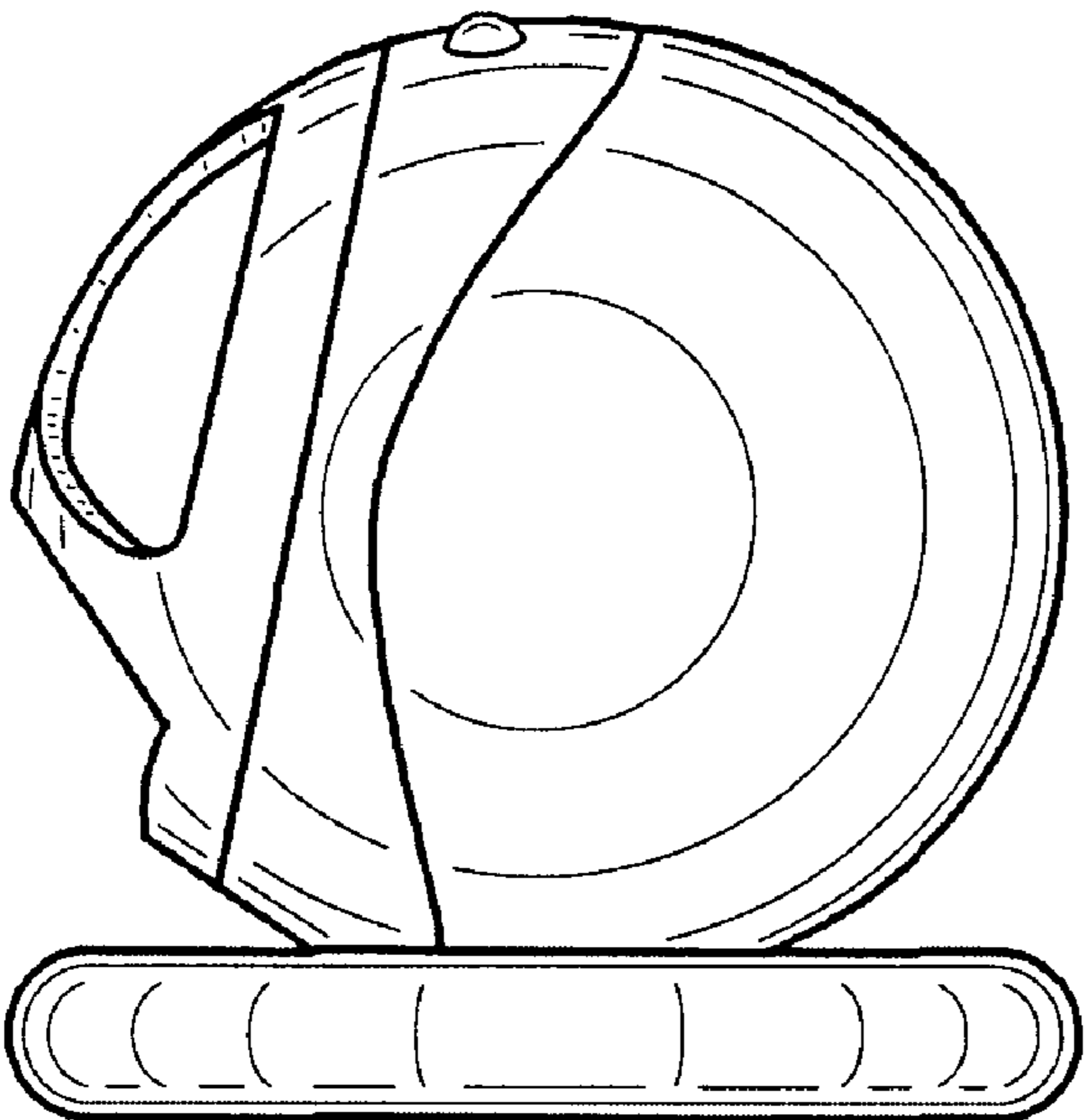


FIG. 4

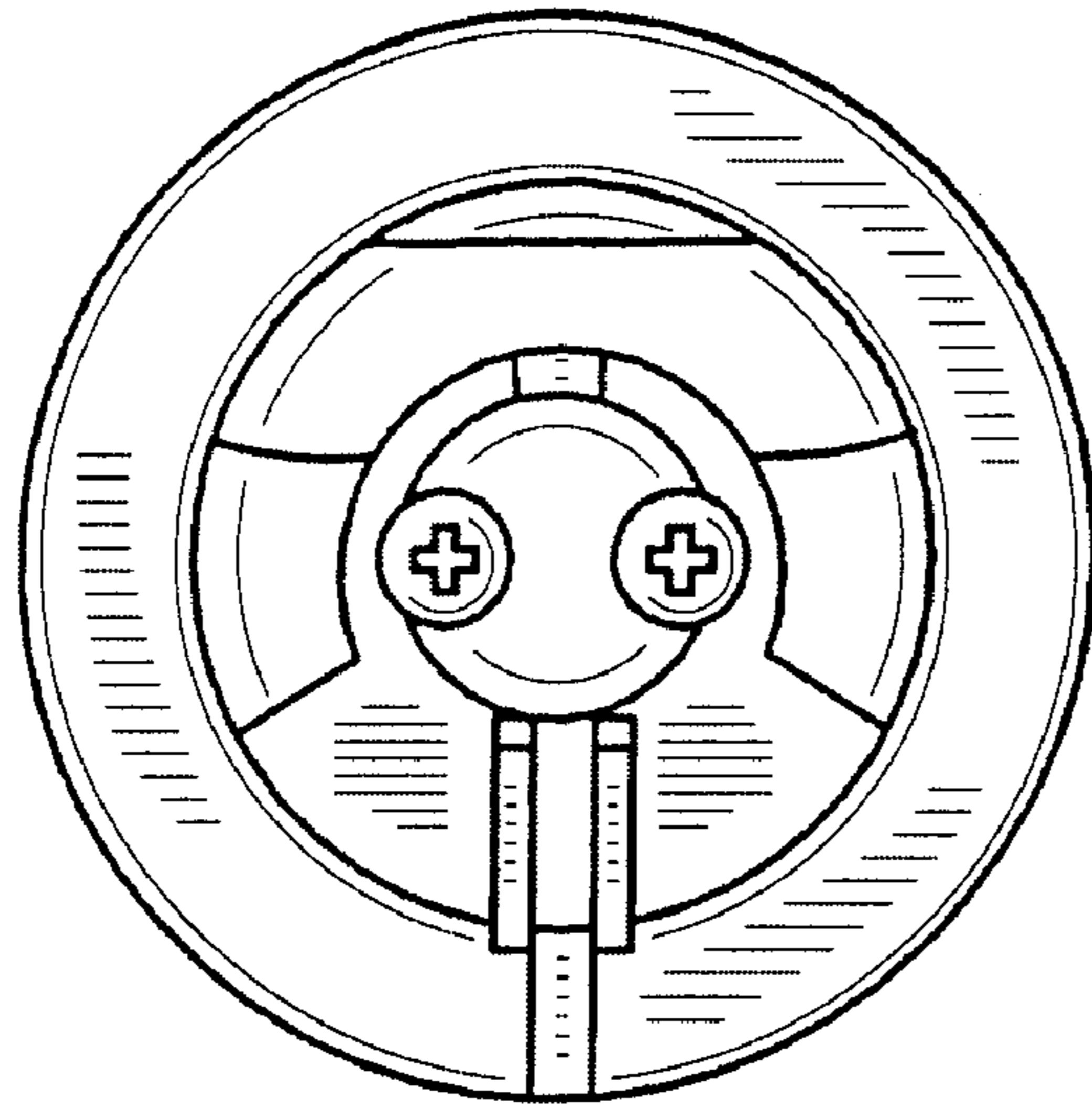


FIG. 5

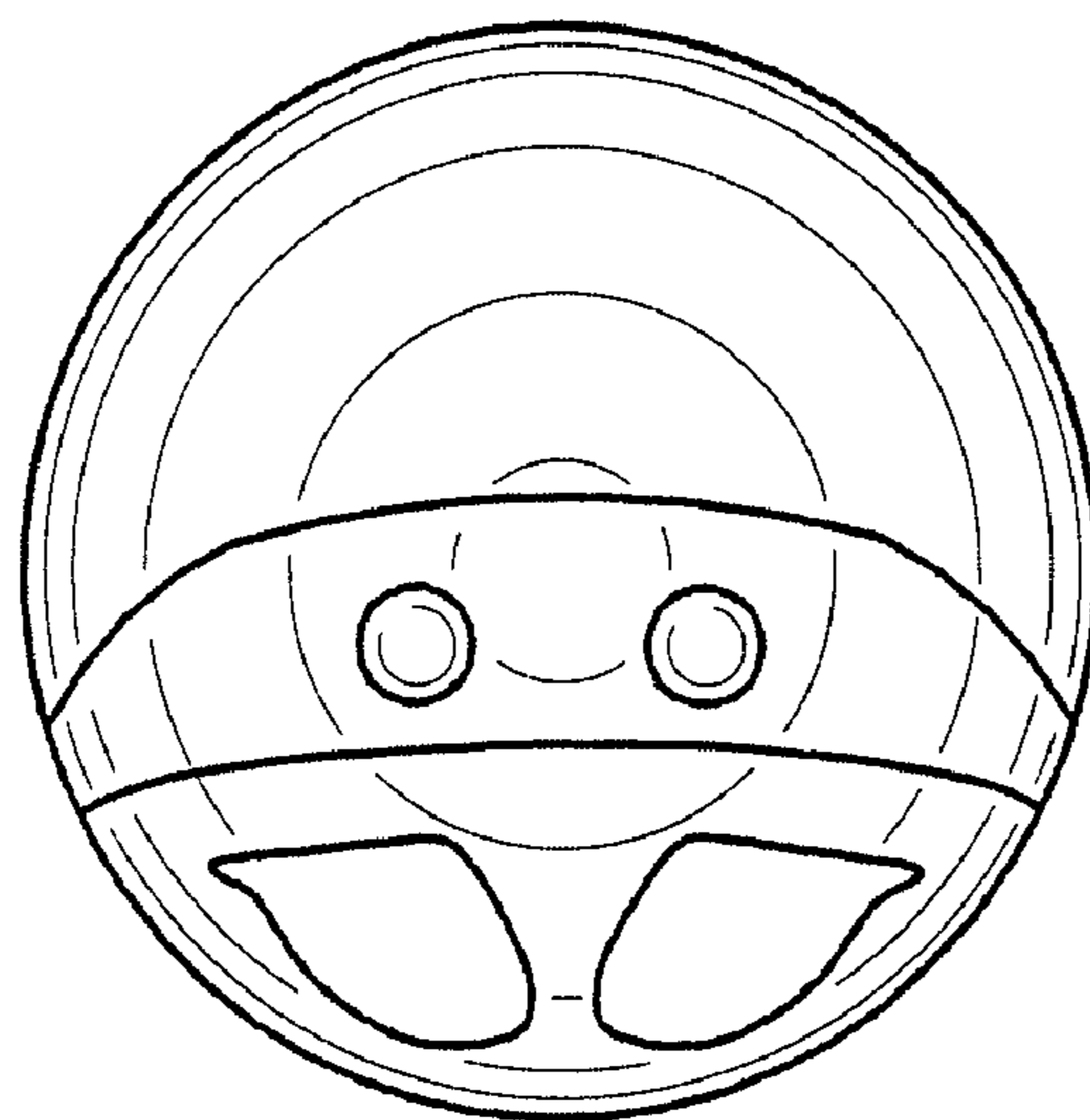


FIG. 6

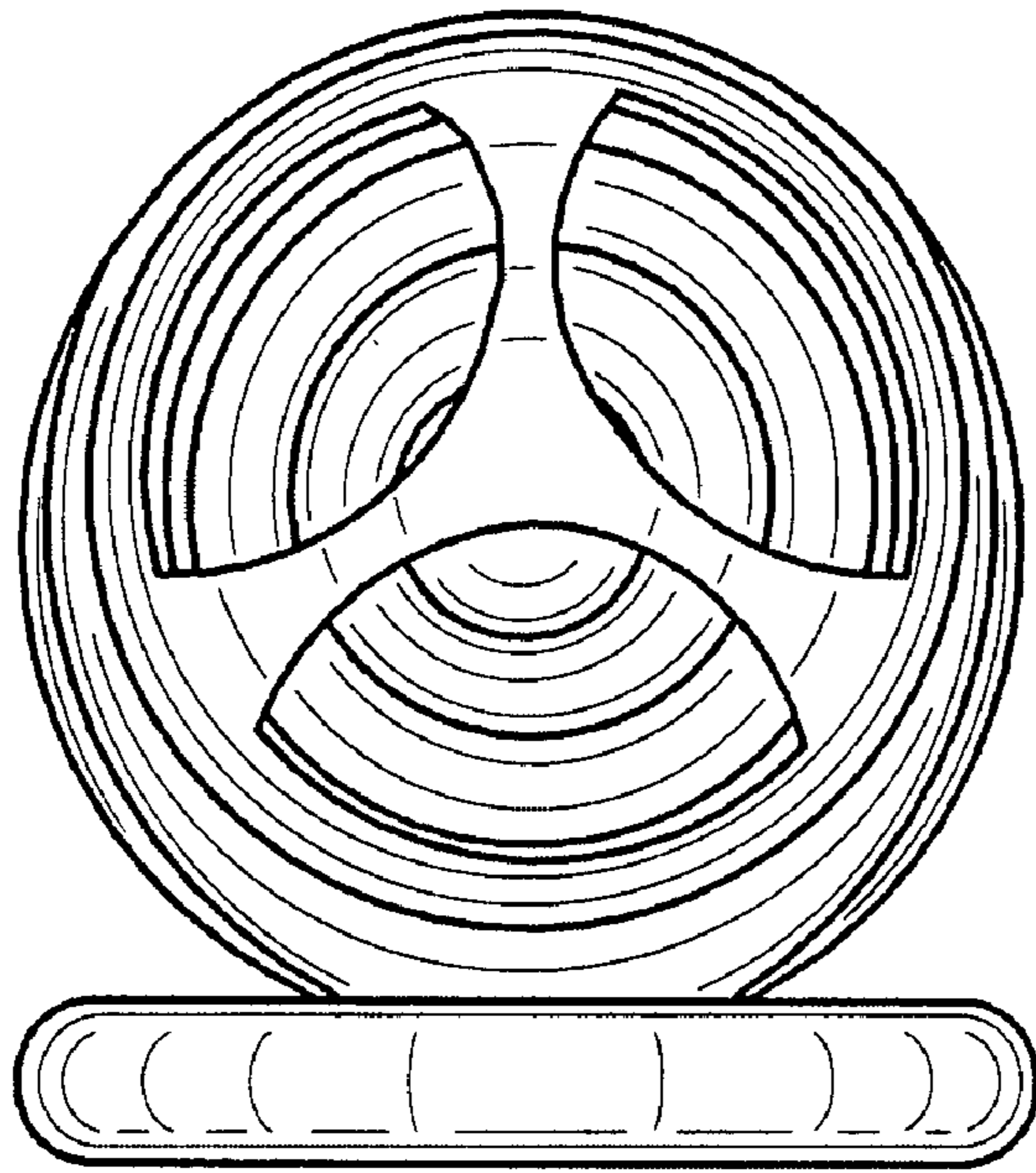


FIG. 7

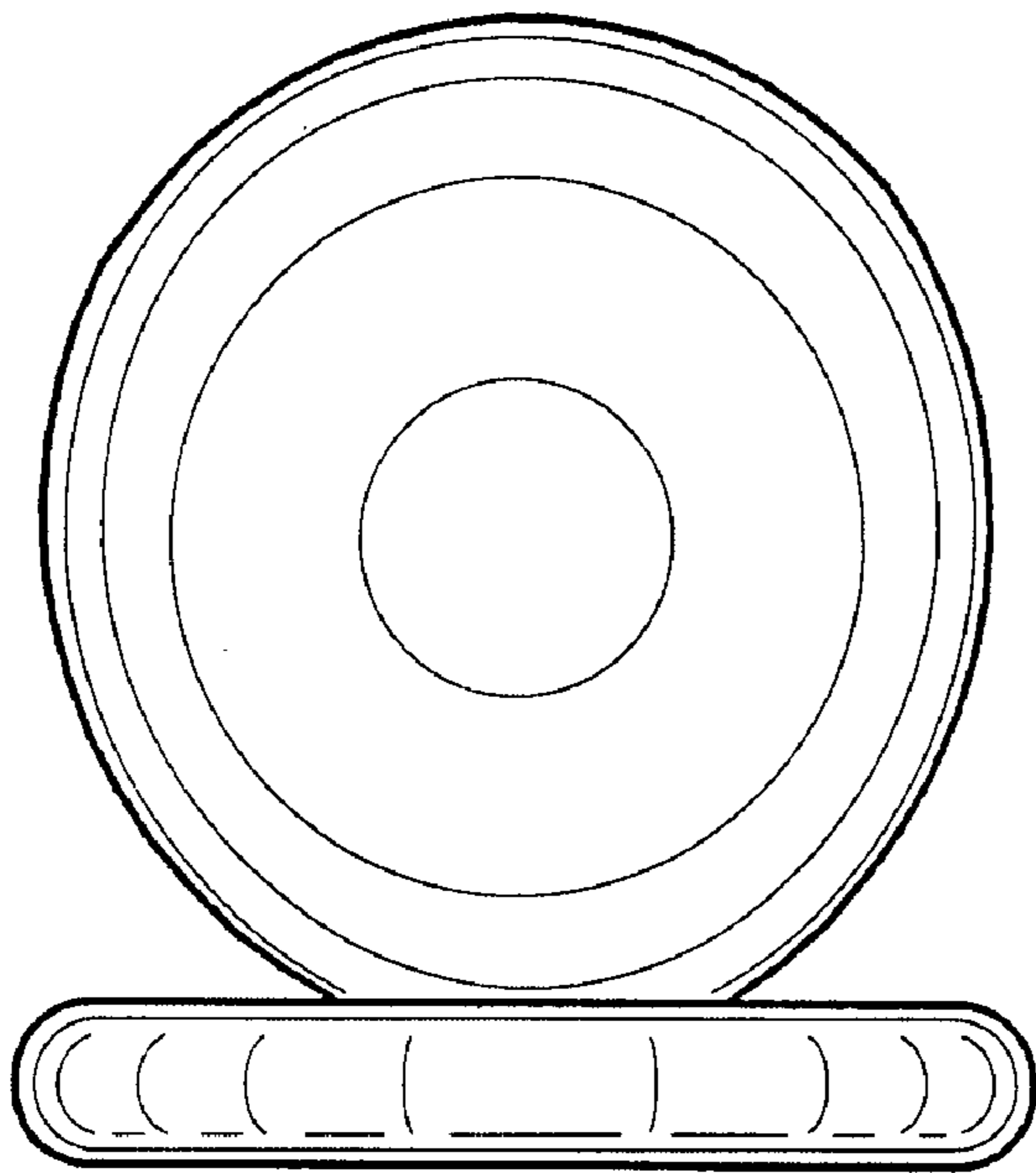


FIG. 8

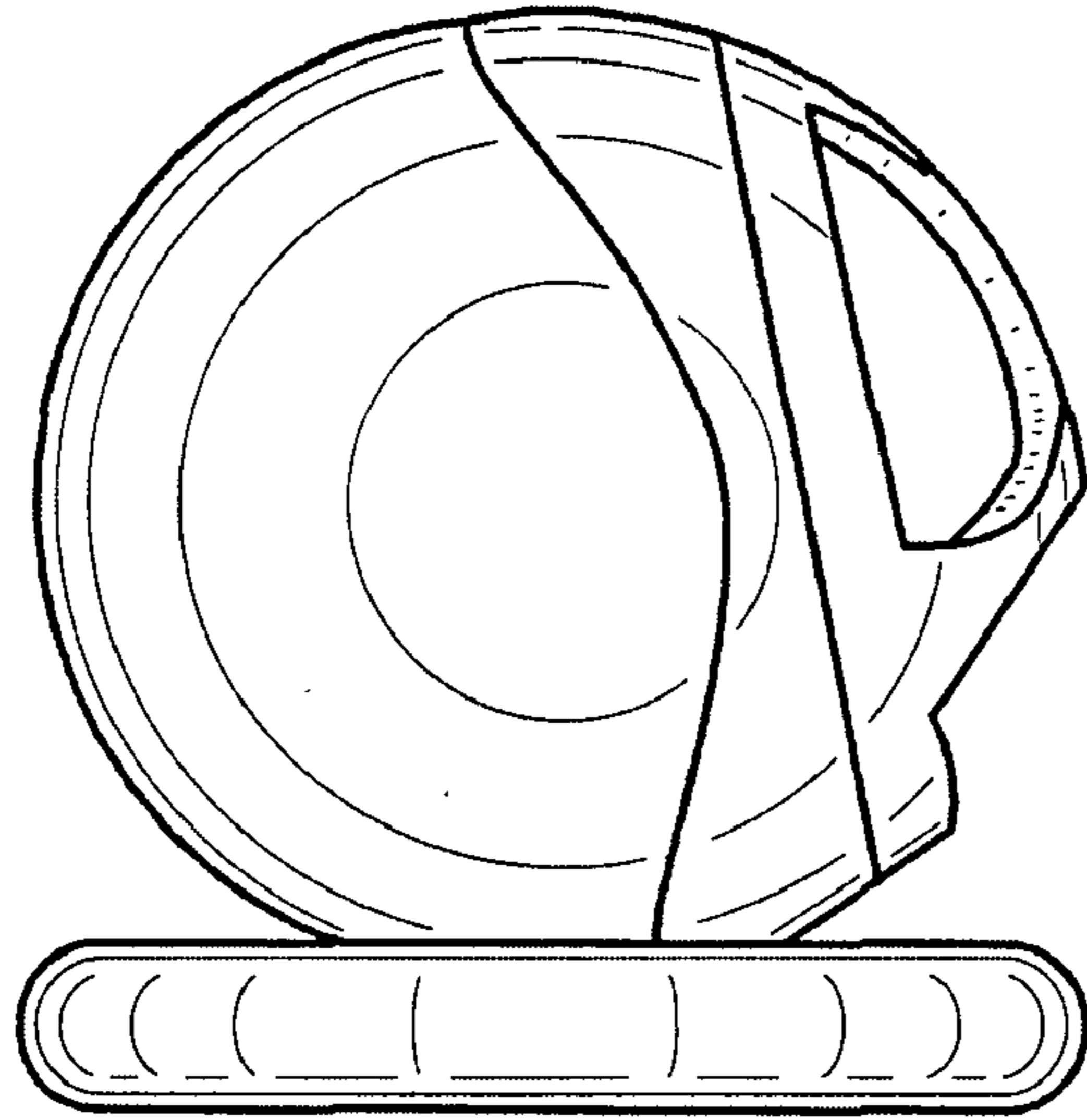


FIG. 9

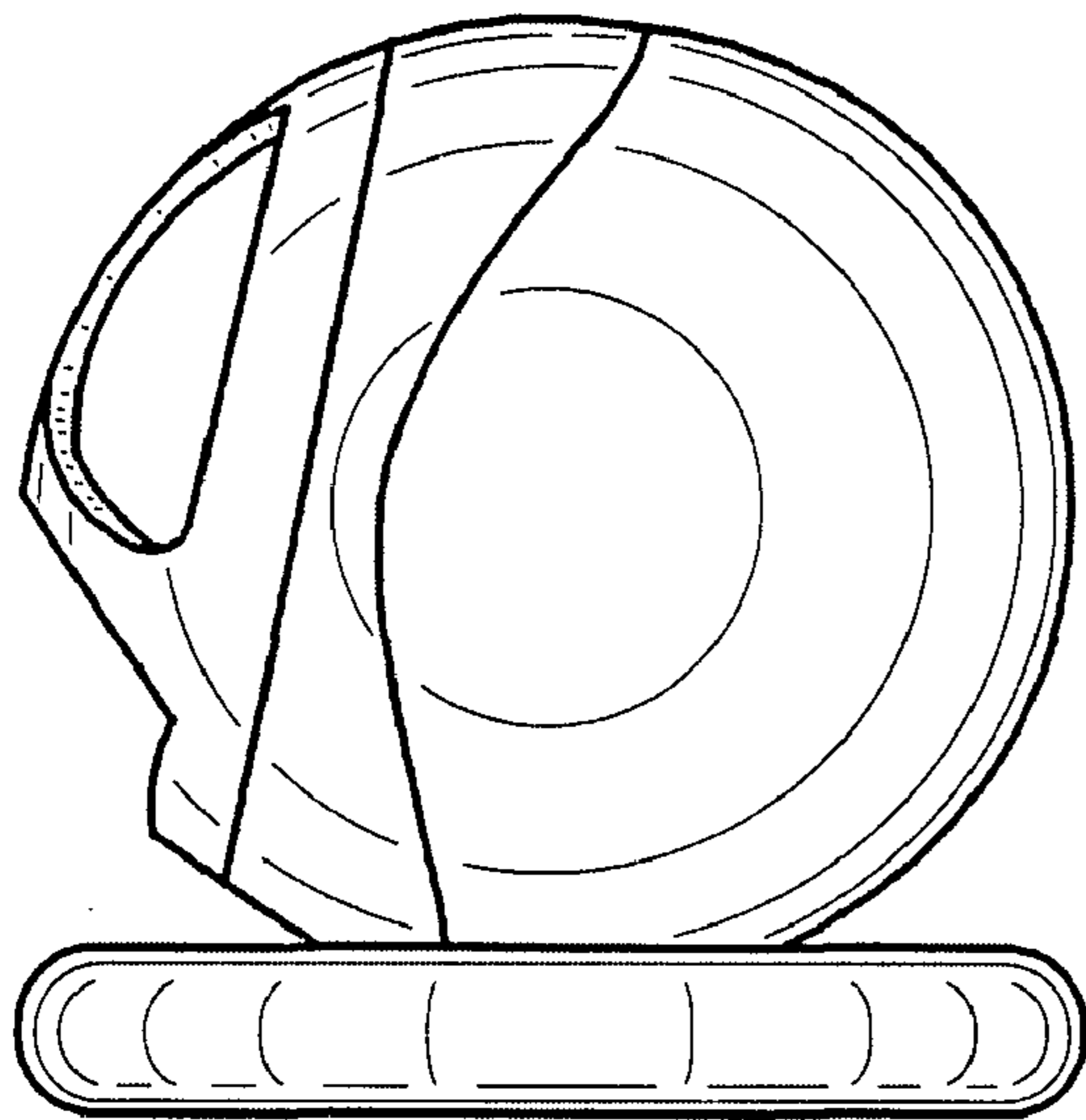


FIG. 10

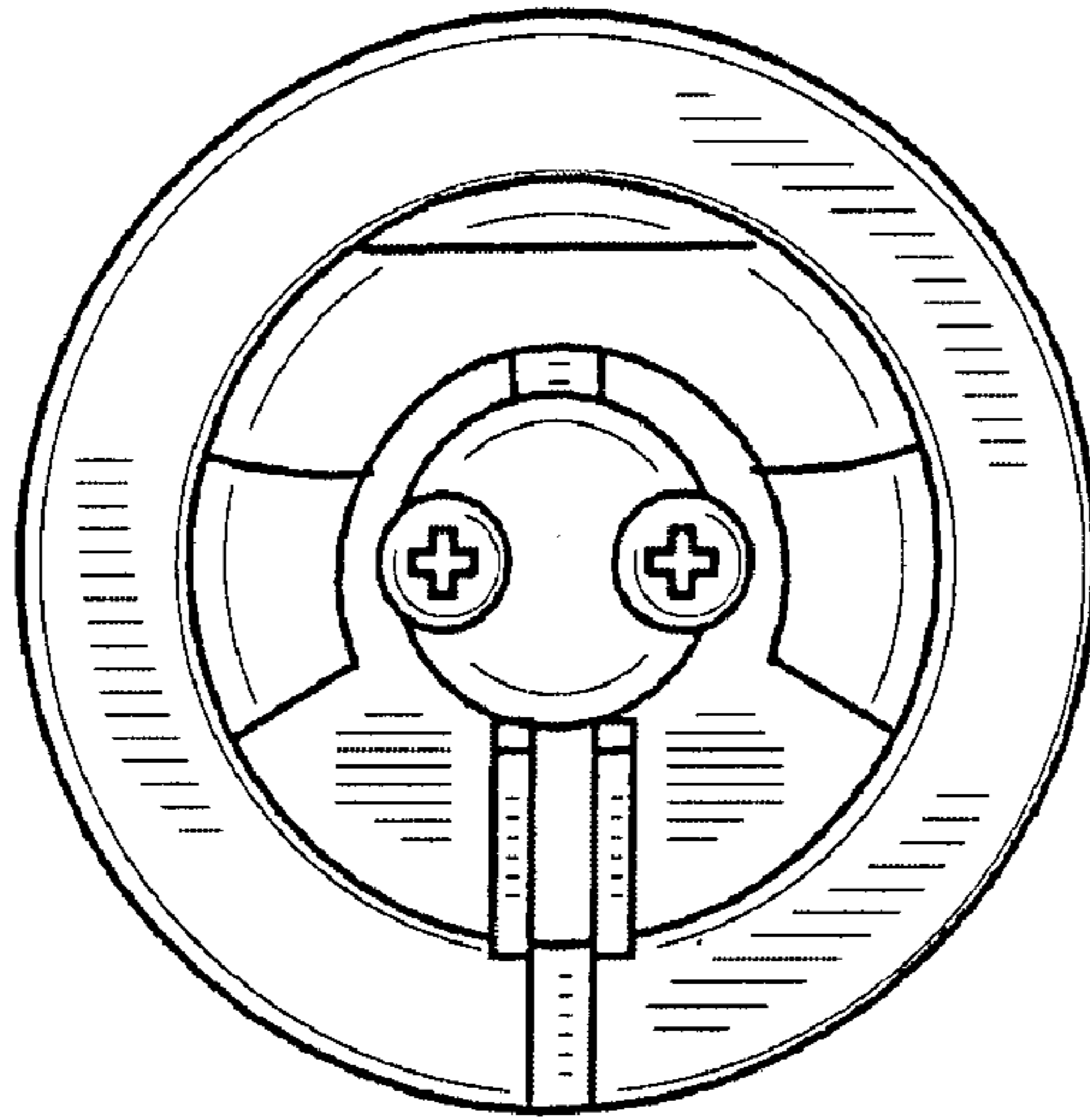


FIG. 11

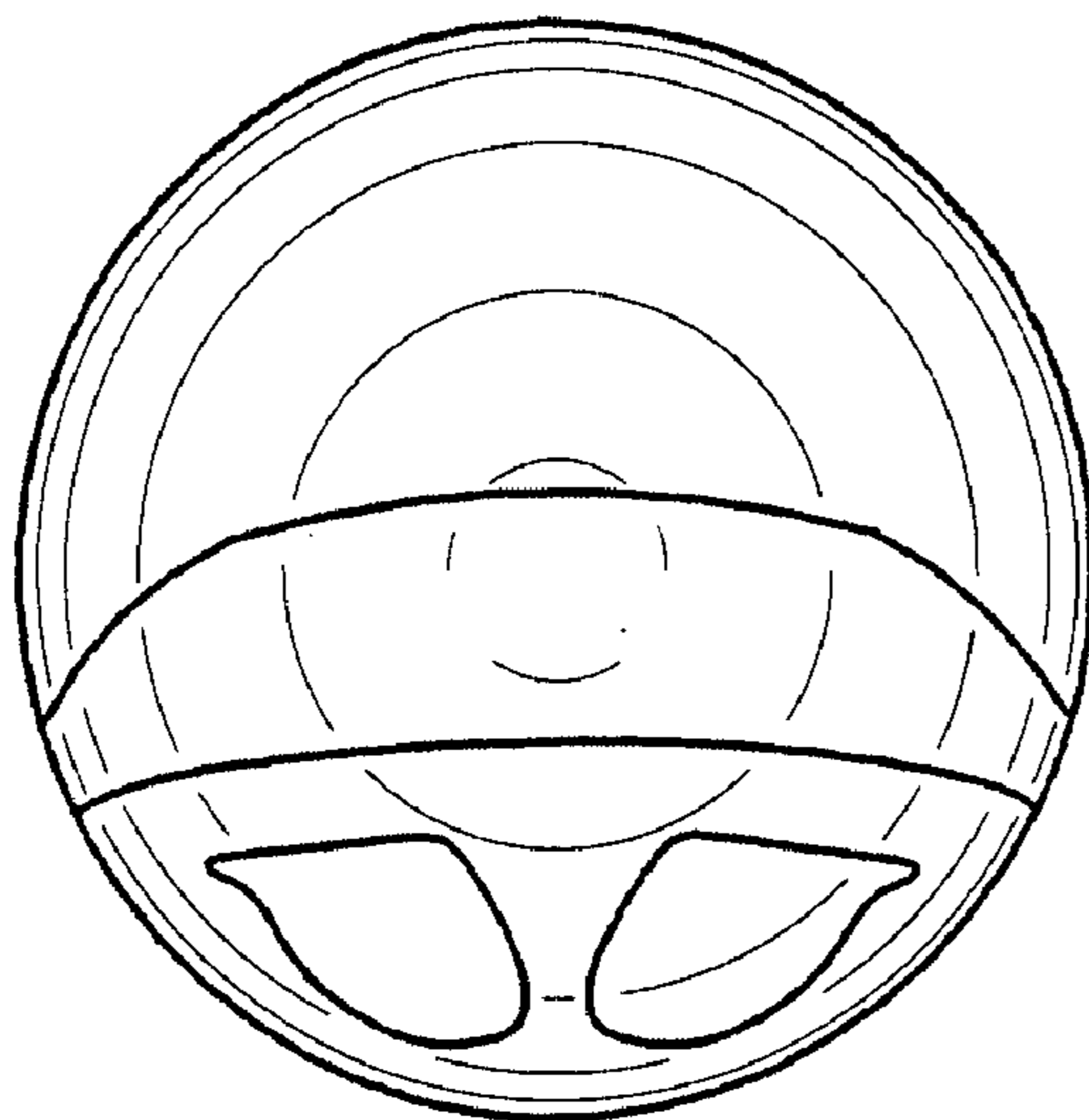


FIG. 12

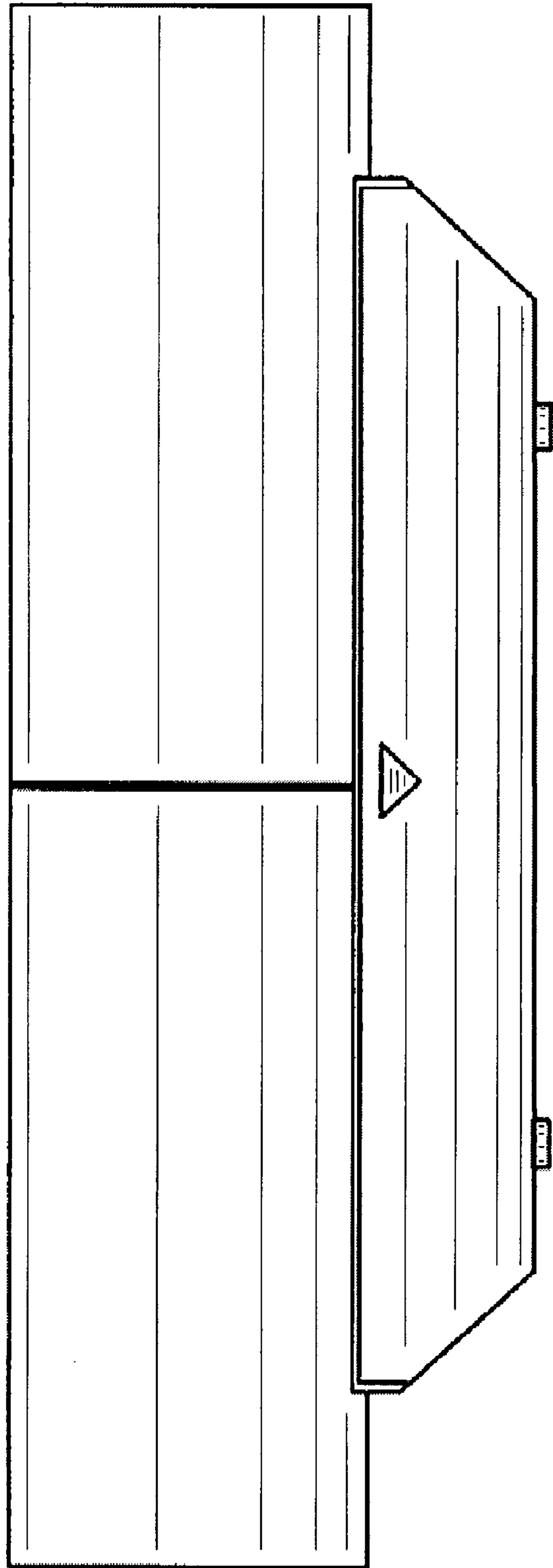


FIG. 13

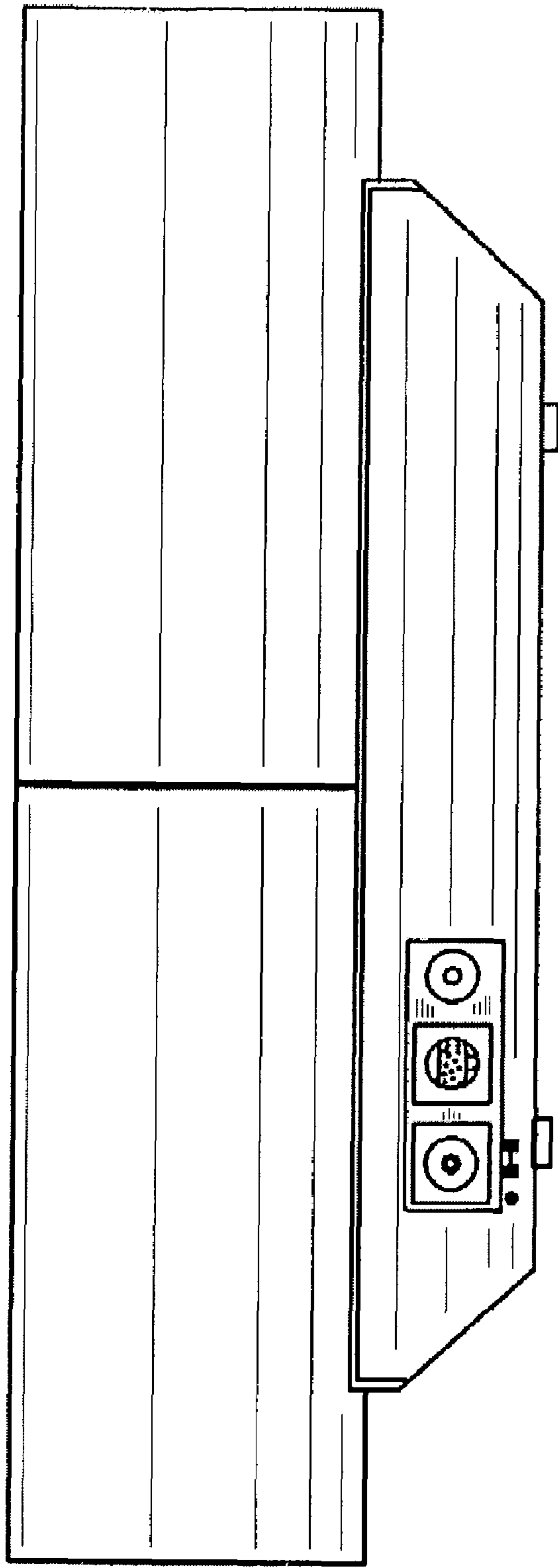


FIG. 14

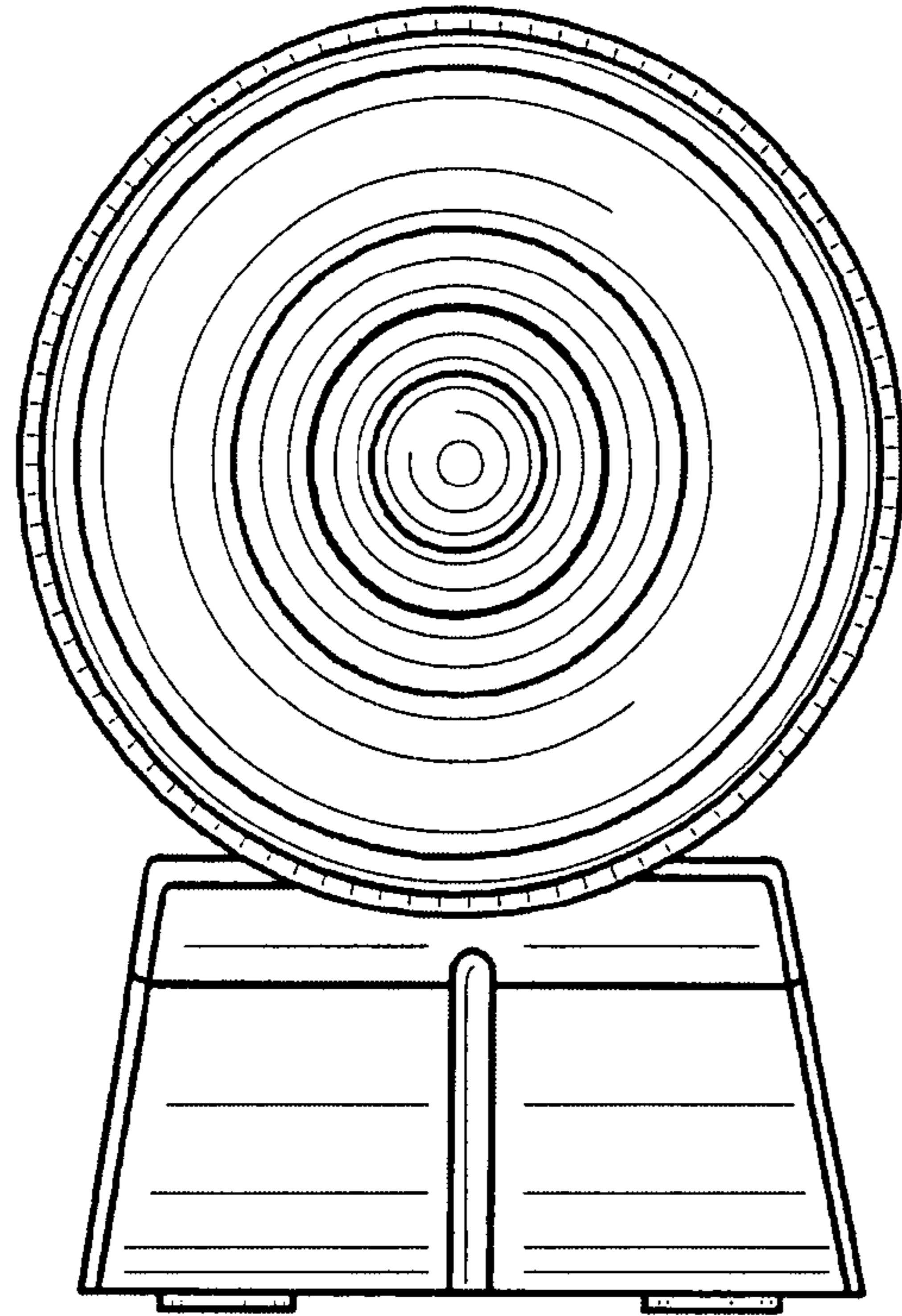


FIG. 15

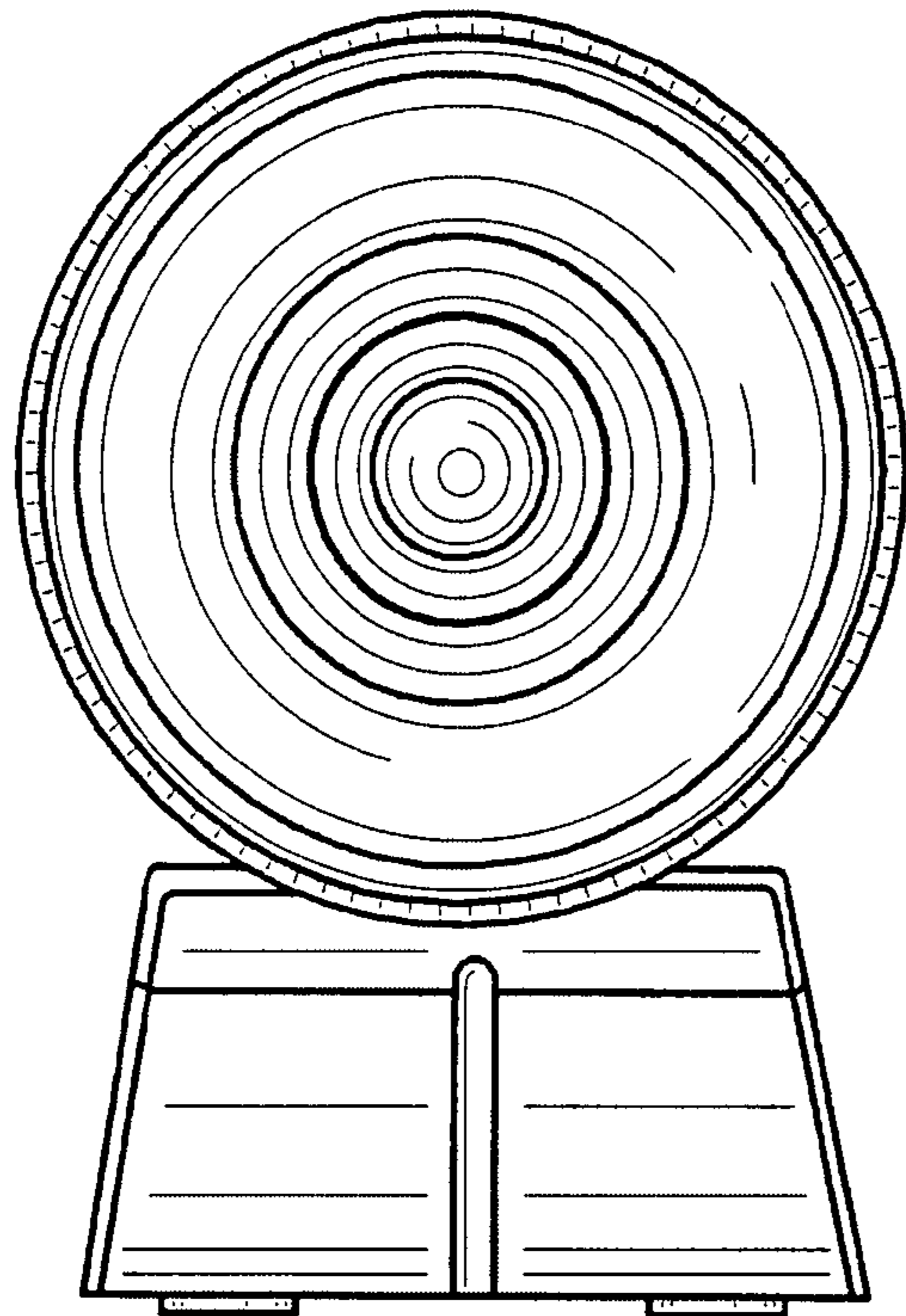


FIG. 16

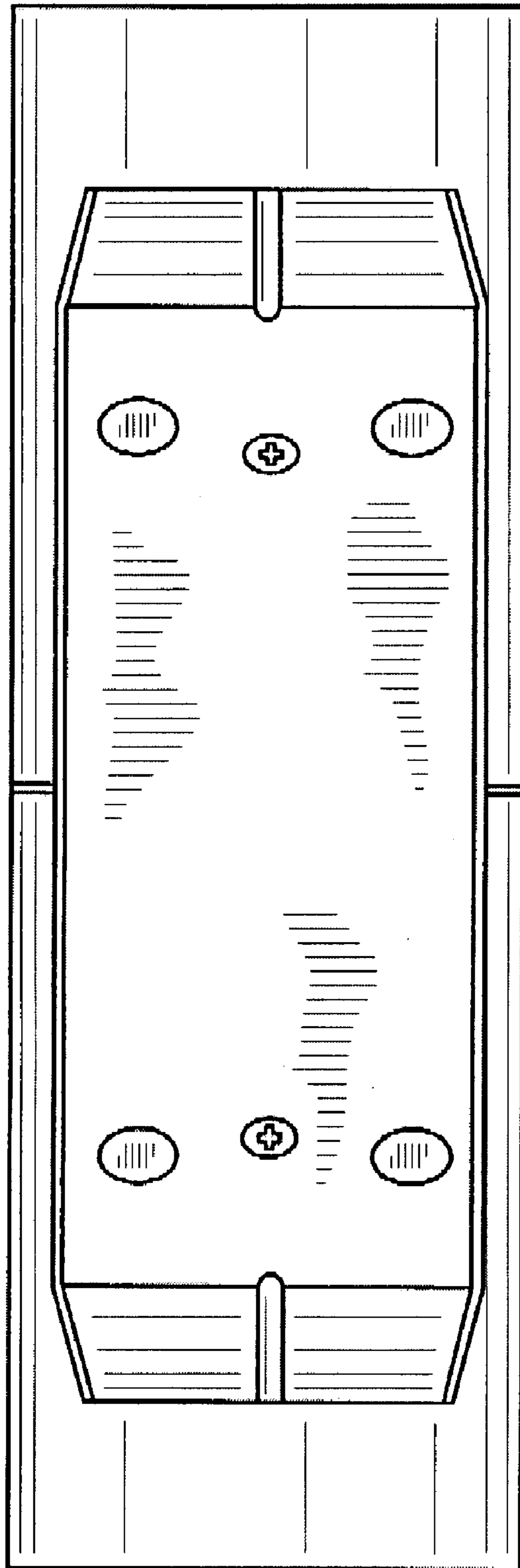


FIG. 17

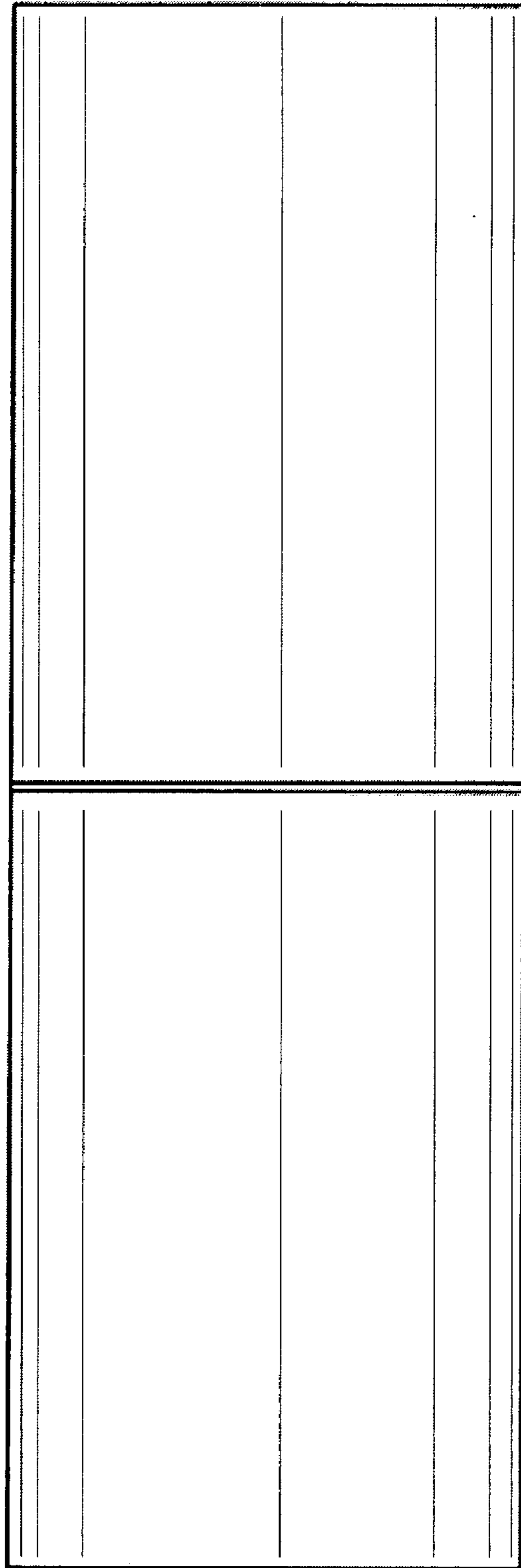


FIG. 18

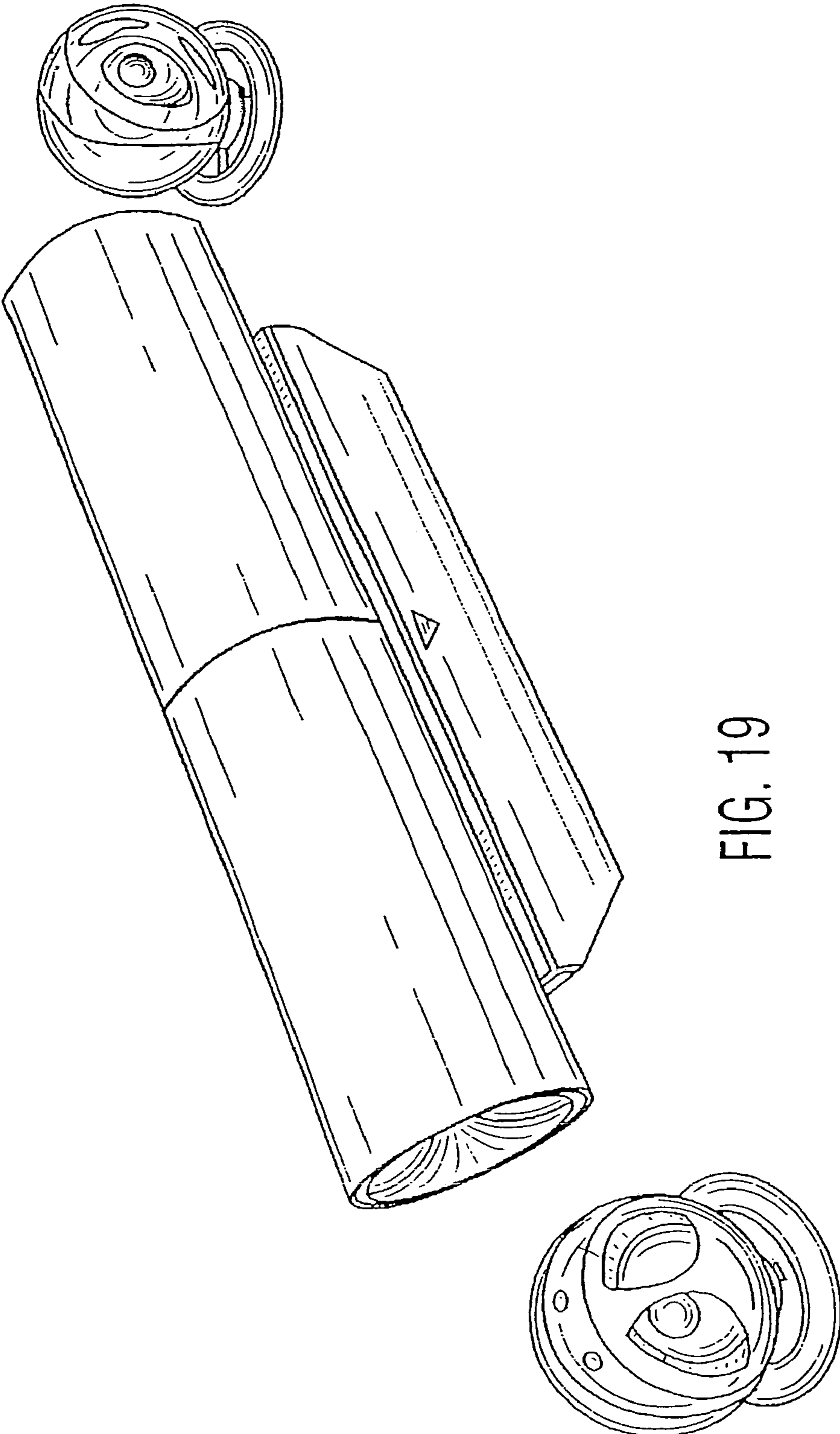


FIG. 19