



US00D574809S

(12) **United States Design Patent**
Yagihashi

(10) **Patent No.:** **US D574,809 S**

(45) **Date of Patent:** **** Aug. 12, 2008**

(54) **AMPLIFIER FOR CAR**

D549,214 S * 8/2007 Uehara D14/188
D554,606 S * 11/2007 Kimura D14/136

(75) Inventor: **Tatsuya Yagihashi**, Tokyo (JP)

* cited by examiner

(73) Assignee: **Sony Corporation**, Tokyo (JP)

Primary Examiner—Stella M. Reid

Assistant Examiner—Keli L Acker

(**) Term: **14 Years**

(74) *Attorney, Agent, or Firm*—Rader, Fishman & Grauer, PLLC

(21) Appl. No.: **29/287,599**

(22) Filed: **Aug. 28, 2007**

(57) **CLAIM**

The ornamental design for an amplifier for car, as shown.

(51) **LOC (8) Cl.** **14-03**

(52) **U.S. Cl.** **D14/188**

(58) **Field of Classification Search** D14/168,
D14/169, 179, 188, 194–198, 217, 257, 265,
D14/299; 330/1 R, 3, 4, 250; 381/86, 120;
455/344–351

See application file for complete search history.

DESCRIPTION

FIG. 1 is a perspective view of an amplifier for car showing my new design;

FIG. 2 is a front elevational view thereof;

FIG. 3 is a rear elevational view thereof;

FIG. 4 is a left side elevational view thereof;

FIG. 5 is a right side elevational view thereof;

FIG. 6 is a top plan view thereof; and,

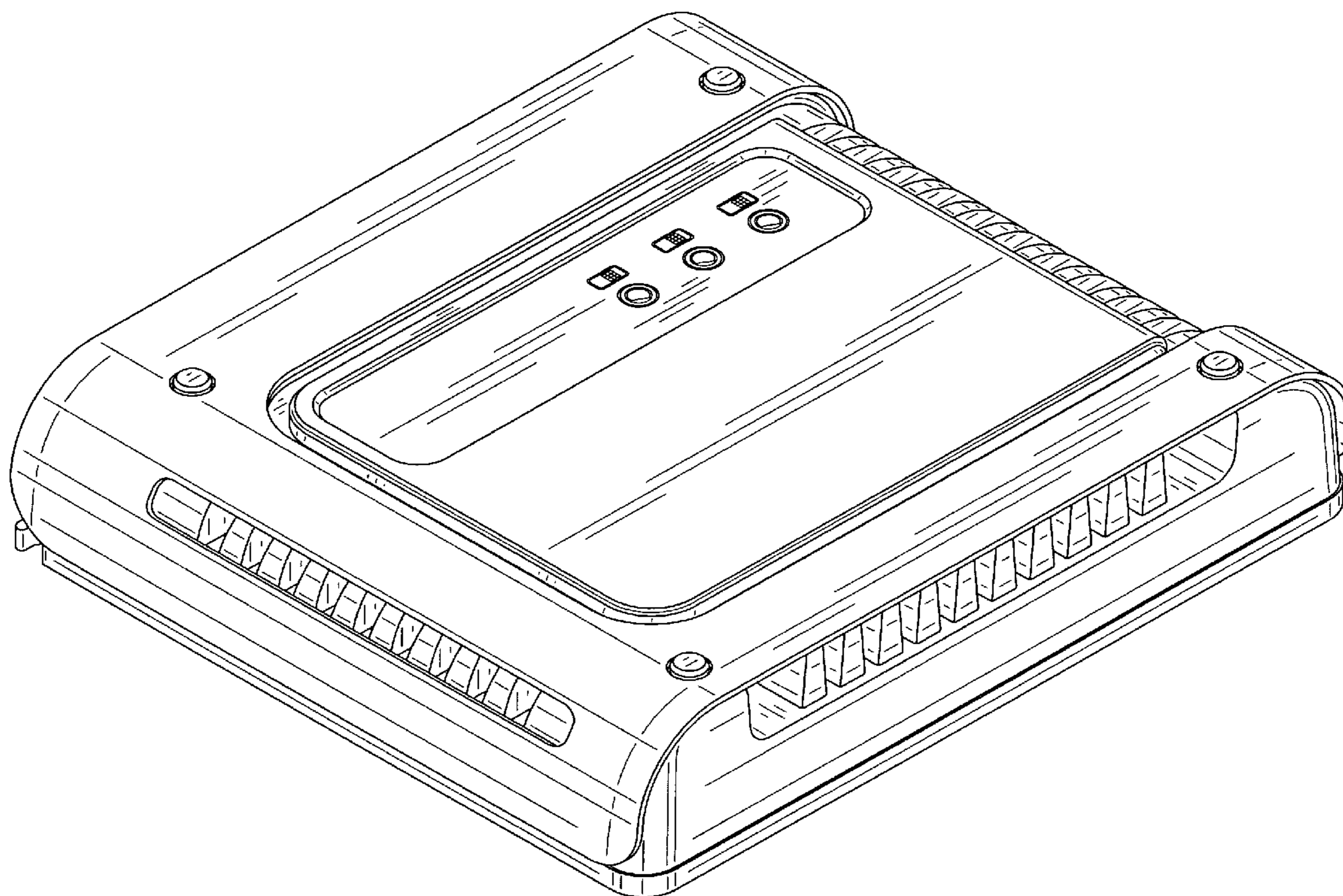
FIG. 7 is a bottom plan view thereof.

(56) **References Cited**

U.S. PATENT DOCUMENTS

D488,798 S * 4/2004 Ishii et al. D14/168
D513,507 S 1/2006 Tsuge
D548,722 S * 8/2007 Suzuki D14/188
D548,723 S * 8/2007 Mizokawa D14/188

1 Claim, 7 Drawing Sheets



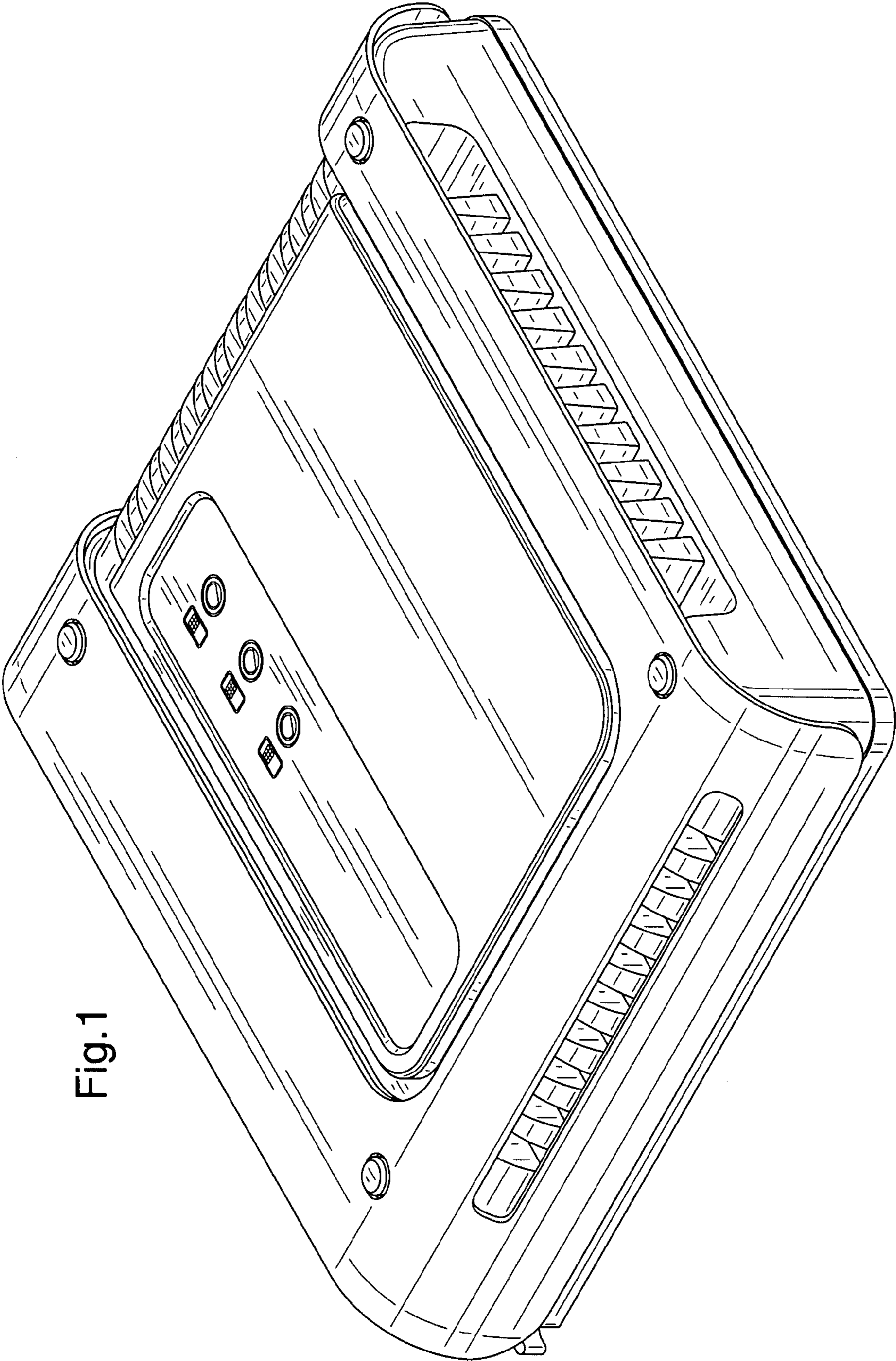


Fig.1

Fig.2

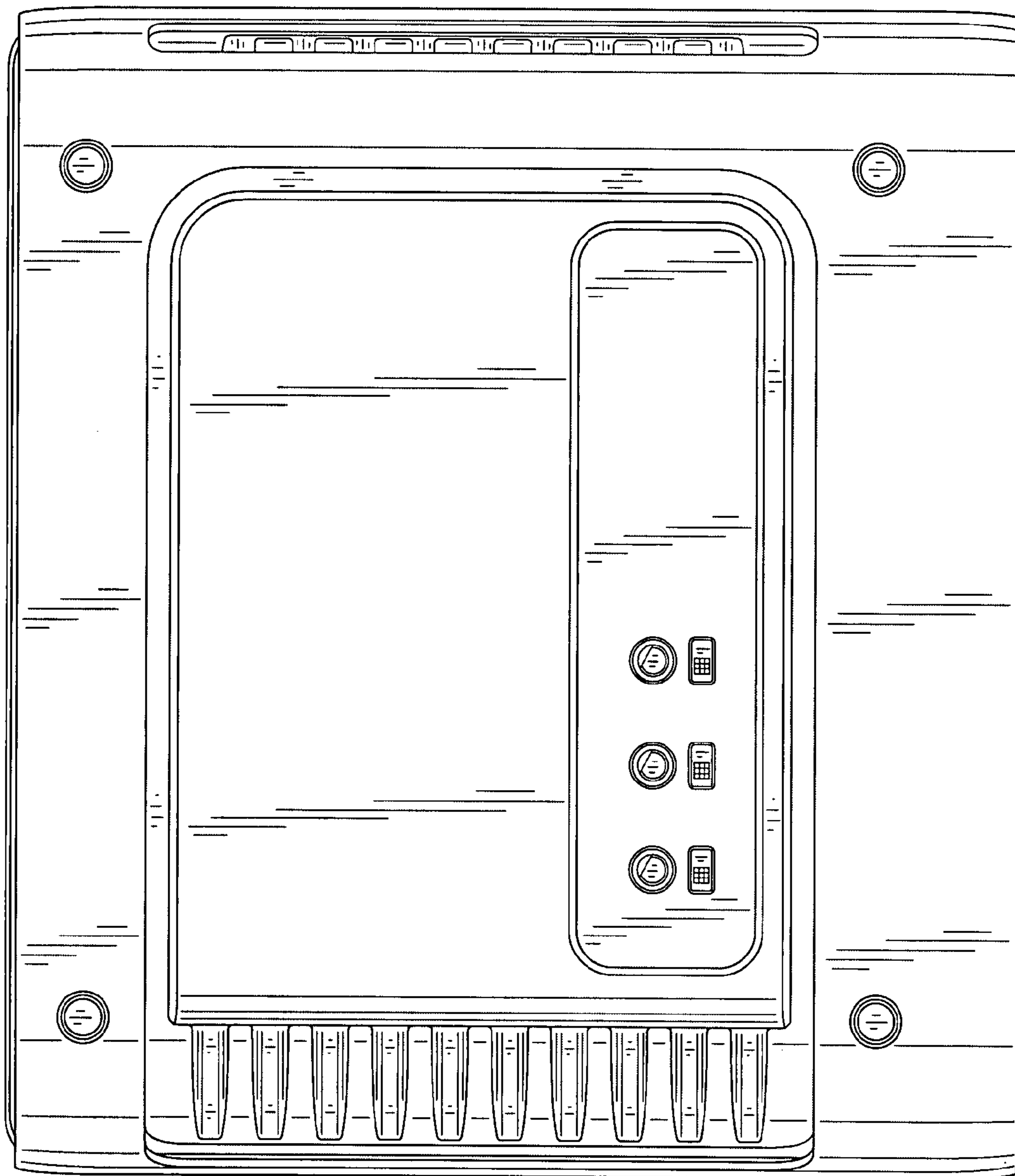


Fig.3

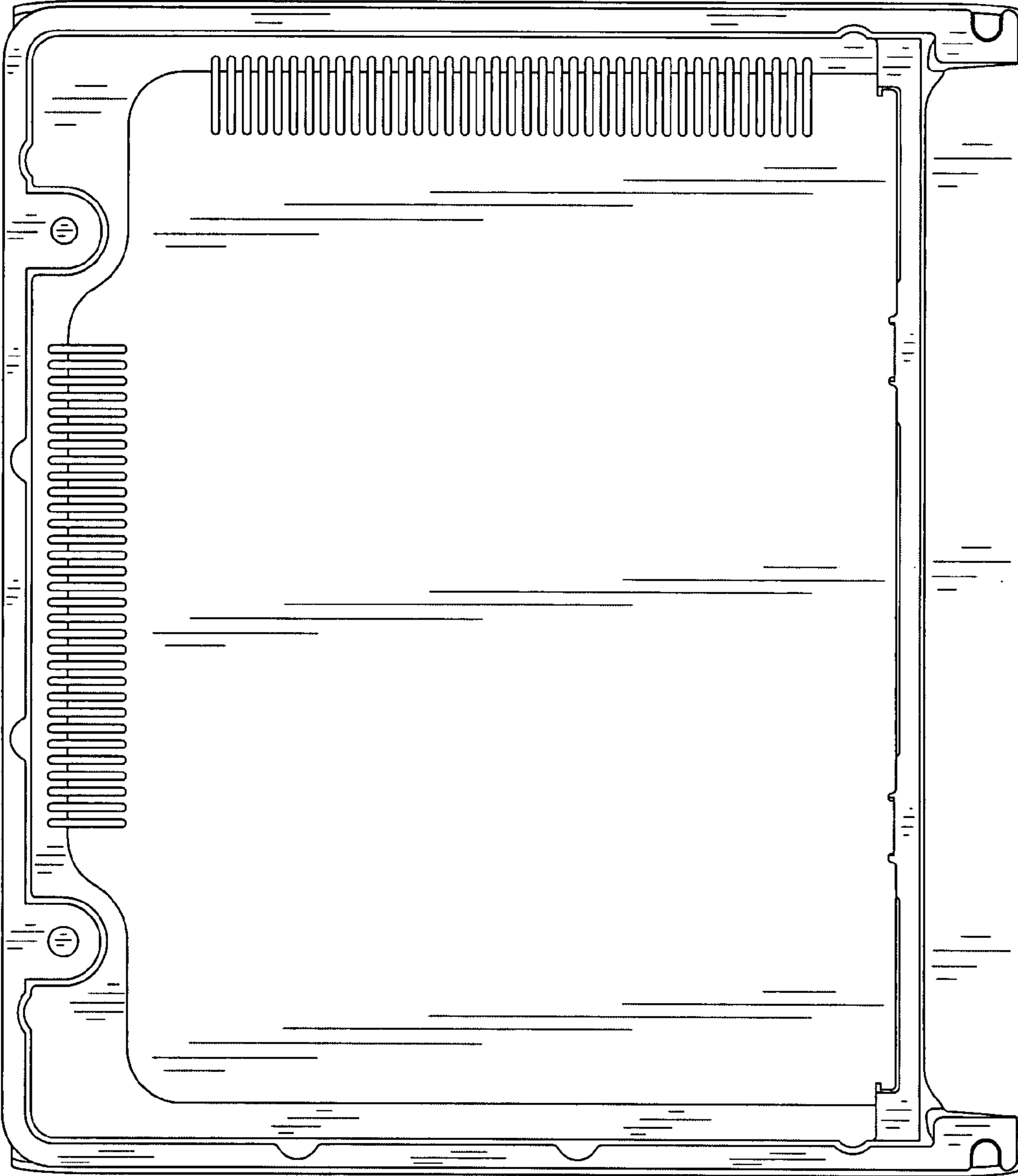


Fig.4

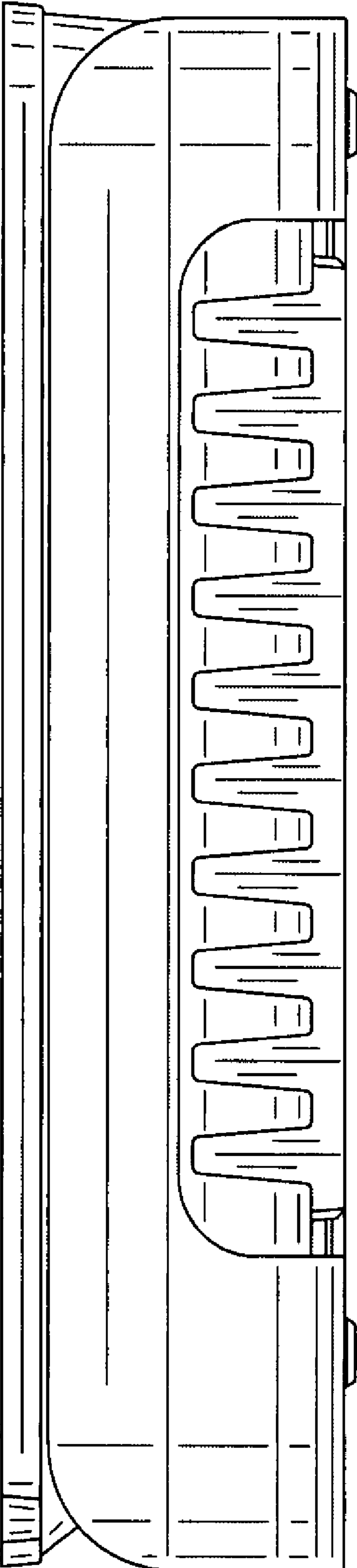


Fig. 5

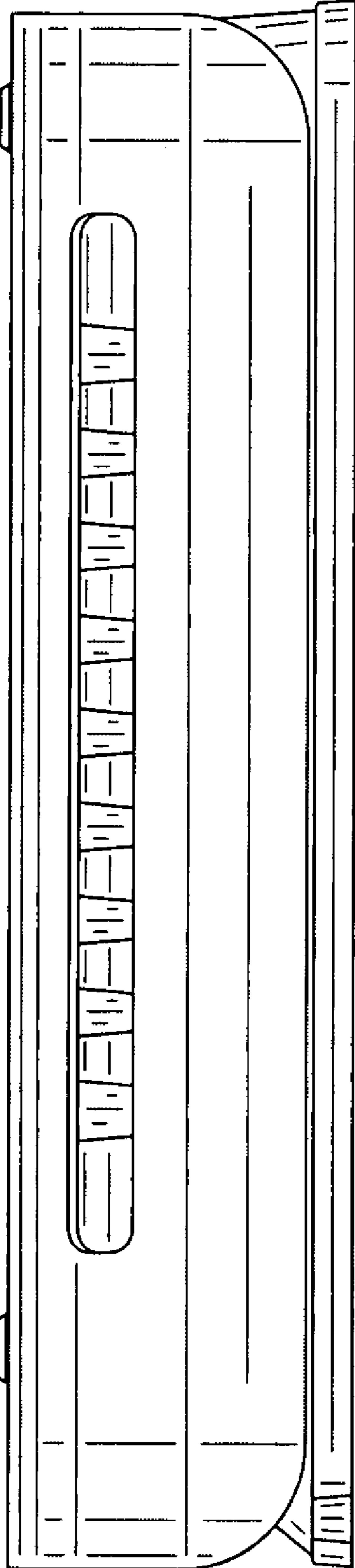


Fig.6

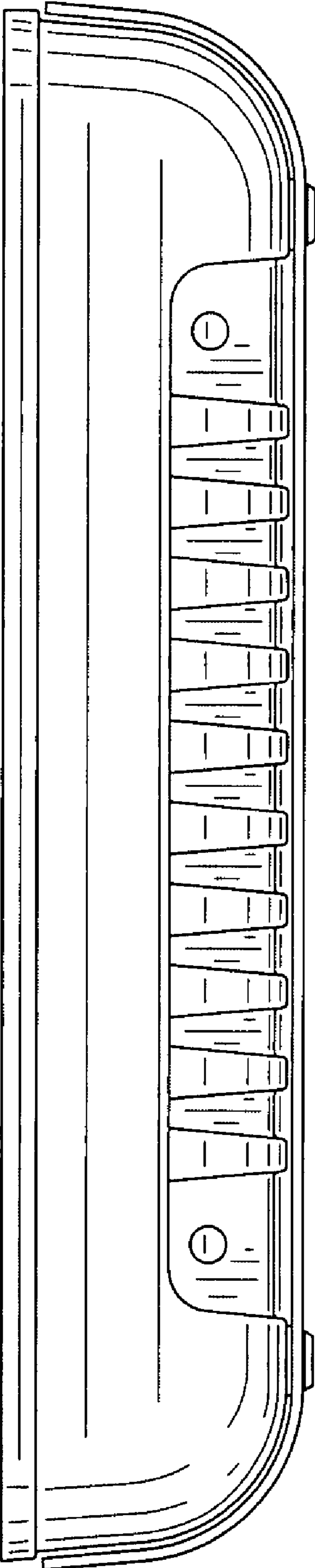


Fig.7

