



US00D574807S

(12) **United States Design Patent**  
**Lee et al.**

(10) **Patent No.:** **US D574,807 S**  
(45) **Date of Patent:** **\*\* Aug. 12, 2008**

(54) **MOBILE PHONE**

(75) Inventors: **Ji-Young Lee**, Seoul (KR); **Sang-Min Hyun**, Seoul (KR); **Chang-Hwan Hwang**, Goyang-si (KR)

(73) Assignee: **Samsung Electronics Co., Ltd.**, Suwon-Si (KR)

(\*\*) Term: **14 Years**

(21) Appl. No.: **29/287,890**

(22) Filed: **Sep. 28, 2007**

(30) **Foreign Application Priority Data**

Jul. 24, 2007 (KR) ..... 30-2007-0031864

(51) **LOC (8) Cl.** ..... **14-03**

(52) **U.S. Cl.** ..... **D14/138**

(58) **Field of Classification Search** ..... D14/137, D14/138, 147, 191, 218, 247-248, 341-347, D14/496; D10/65, 78, 104; D13/168; D18/7; 455/556.1, 575.1, 575.3, 575.4; 345/169  
See application file for complete search history.

(56) **References Cited**

**U.S. PATENT DOCUMENTS**

D517,042 S *	3/2006	Byun et al.	.....	D14/191
D534,516 S *	1/2007	Lheem	.....	D14/138
D535,275 S *	1/2007	Kim et al.	.....	D14/138
D536,326 S *	2/2007	Kim et al.	.....	D14/138
D536,691 S *	2/2007	Park	.....	D14/138
D541,812 S *	5/2007	Wang	.....	D14/496
D550,191 S *	9/2007	Cho et al.	.....	D14/138
D554,149 S *	10/2007	Kim	.....	D14/496
D555,170 S *	11/2007	Dai	.....	D14/496

D560,686 S *	1/2008	Kim	.....	D14/496
D561,204 S *	2/2008	Toh	.....	D14/496
D563,929 S *	3/2008	Park	.....	D14/138
2005/0009556 A1 *	1/2005	Hickey et al.	.....	455/550.1

**OTHER PUBLICATIONS**

Pantech PG3000, announced 1<sup>st</sup> quarter 2005, [online], [retrieved on Feb. 20, 2007]. Retrieved from Internet ,<URL: http://www.gsmarena.com>.\*

Toshiba TX80, announced Dec. 2006, [online], [retrieved on Feb. 20, 2007]. Retrieved from Internet ,<URL: http://www.gsmarena.com>.\*

\* cited by examiner

*Primary Examiner*—Jeffrey D. Asch

*Assistant Examiner*—Bridget L Eland

(74) *Attorney, Agent, or Firm*—Staas & Halsey LLP

(57) **CLAIM**

The ornamental design for a mobile phone, as shown and described.

**DESCRIPTION**

FIG. 1 is a perspective view of a mobile phone;  
FIG. 2 is a front view of the mobile phone of FIG. 1;  
FIG. 3 is a rear view of the mobile phone of FIG. 1;  
FIG. 4 is left-side of the mobile phone of FIG. 1;  
FIG. 5 is right-side of the mobile phone of FIG. 1;  
FIG. 6 is top plan view of the mobile phone of FIG. 1;  
FIG. 7 is bottom plan view of the mobile phone of FIG. 1; and,  
FIG. 8 is an open perspective view of the mobile phone of FIG. 1.

**1 Claim, 6 Drawing Sheets**

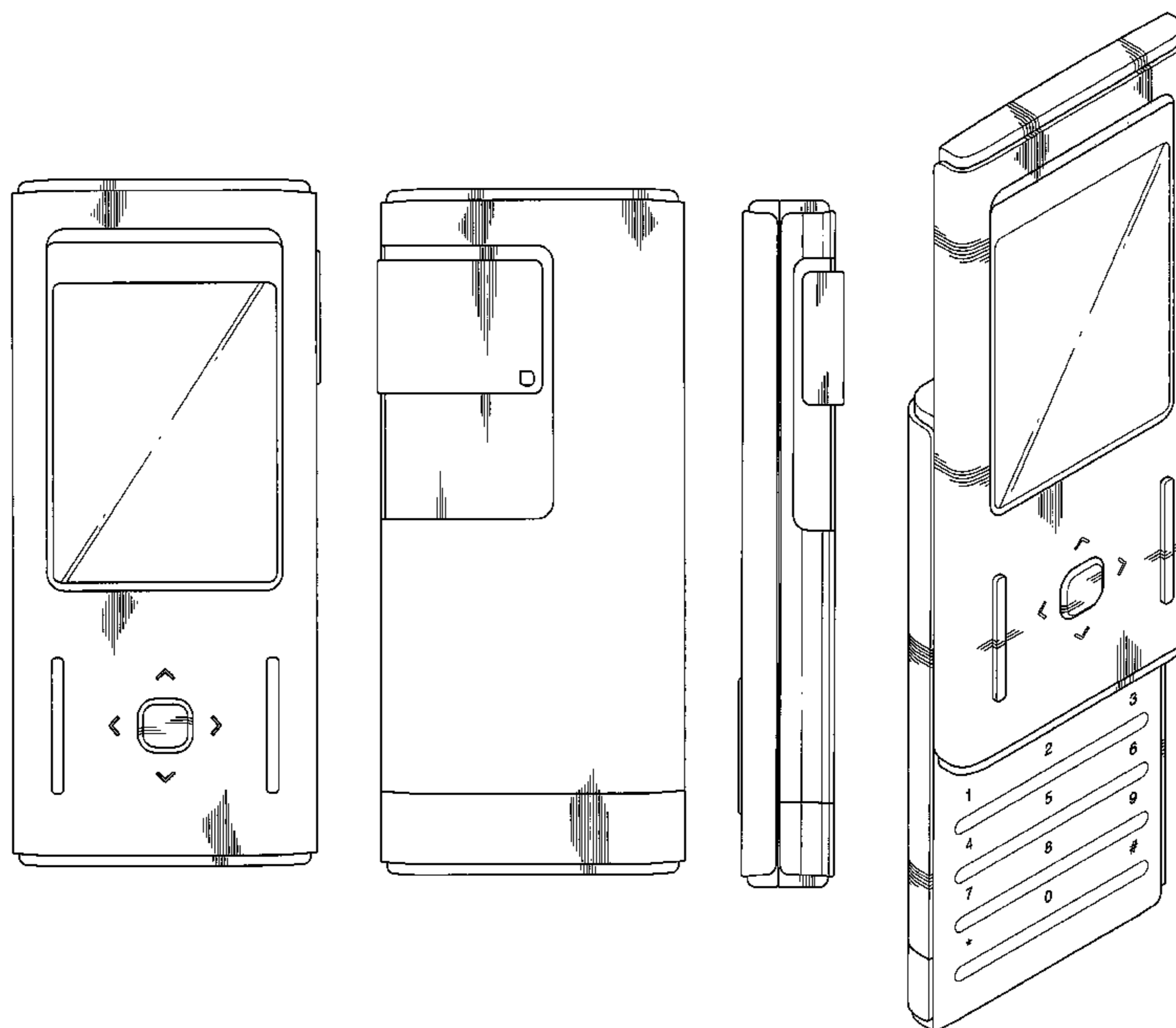


FIG. 1

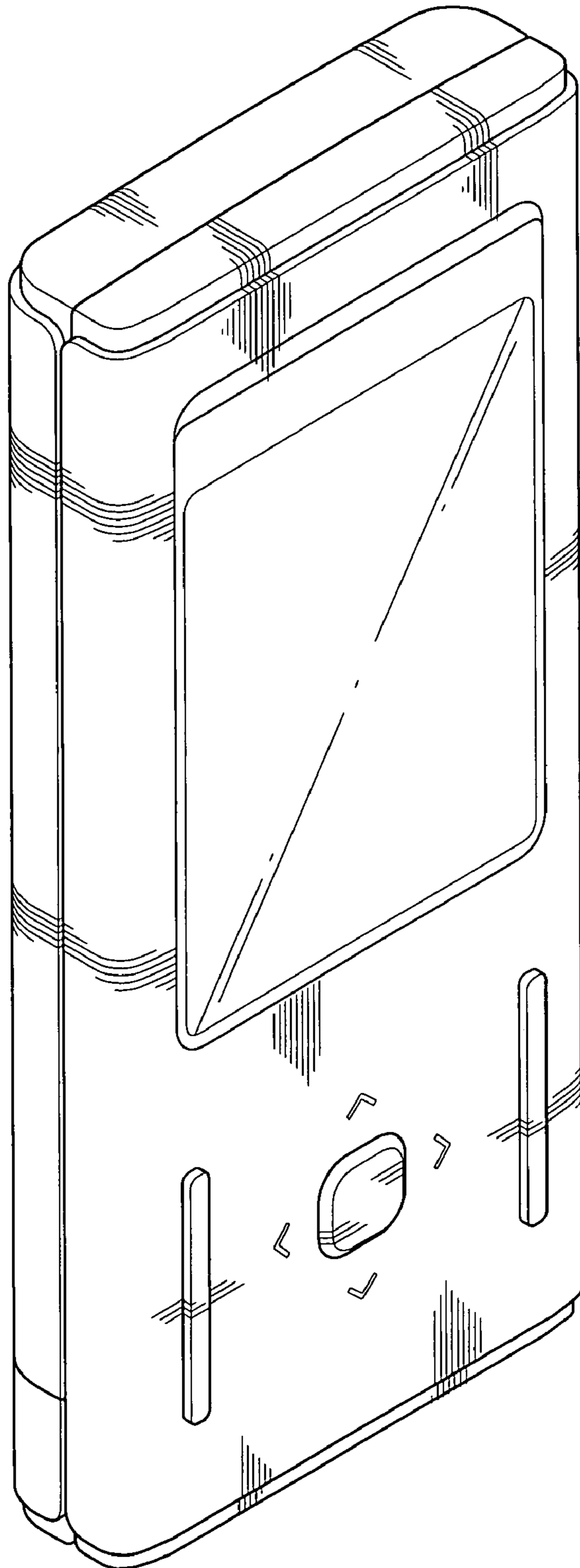


FIG. 2

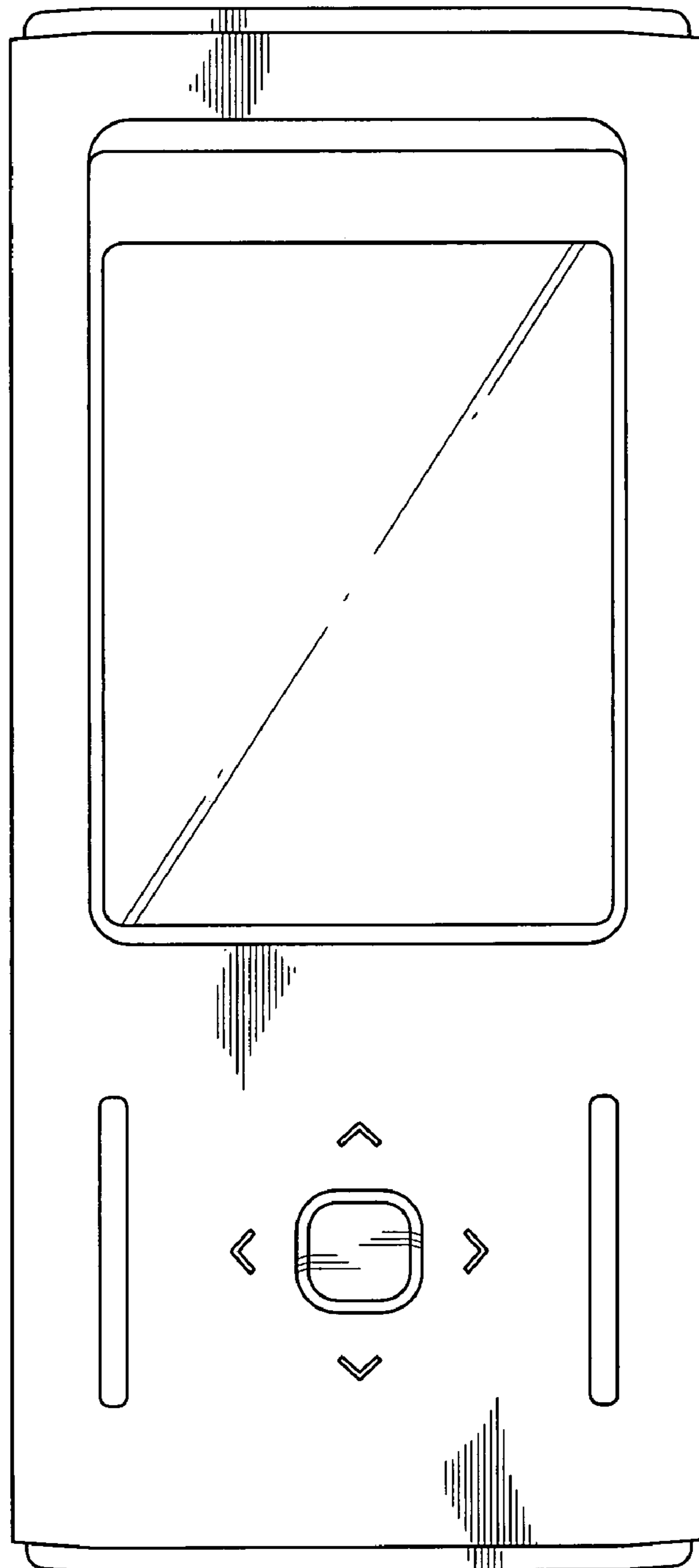


FIG. 3

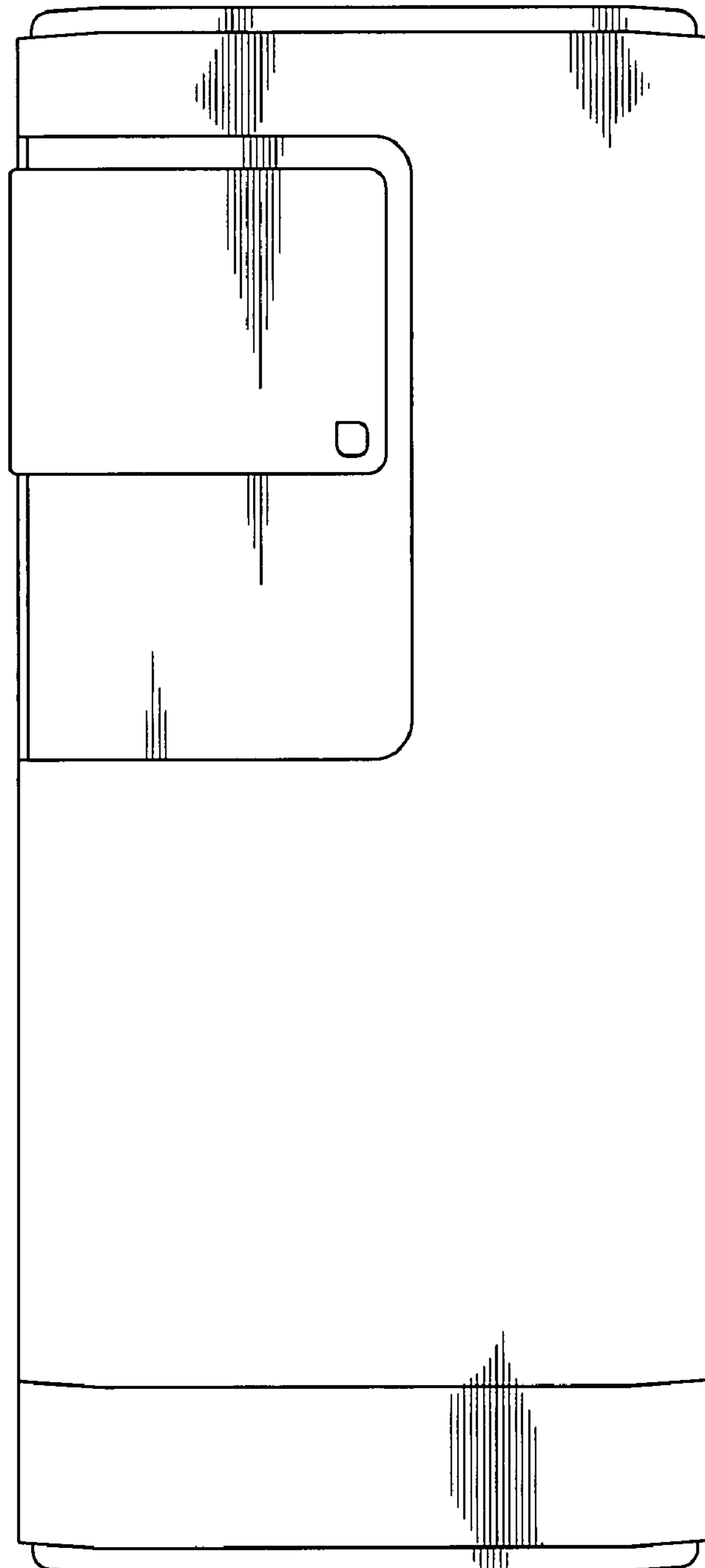


FIG. 4

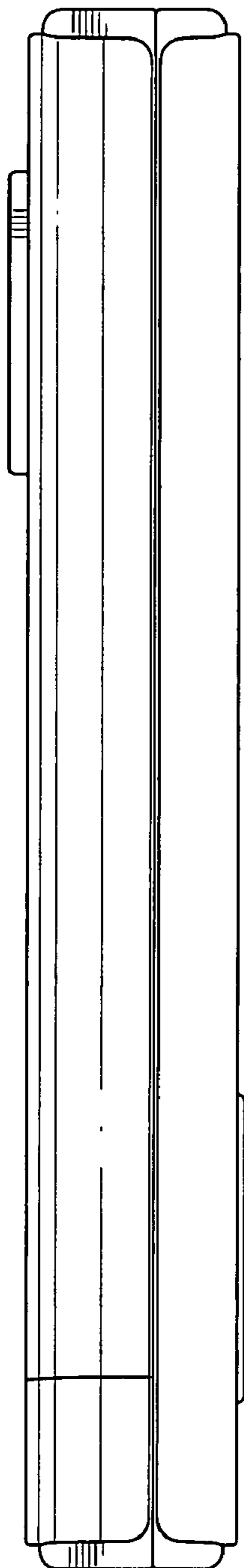
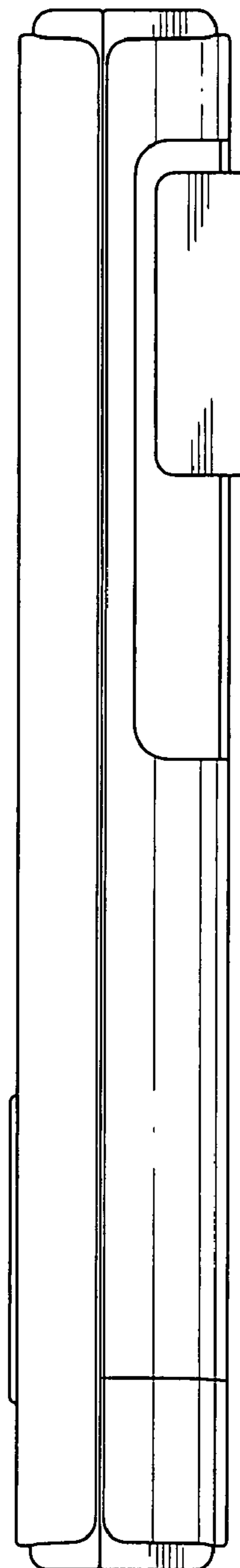
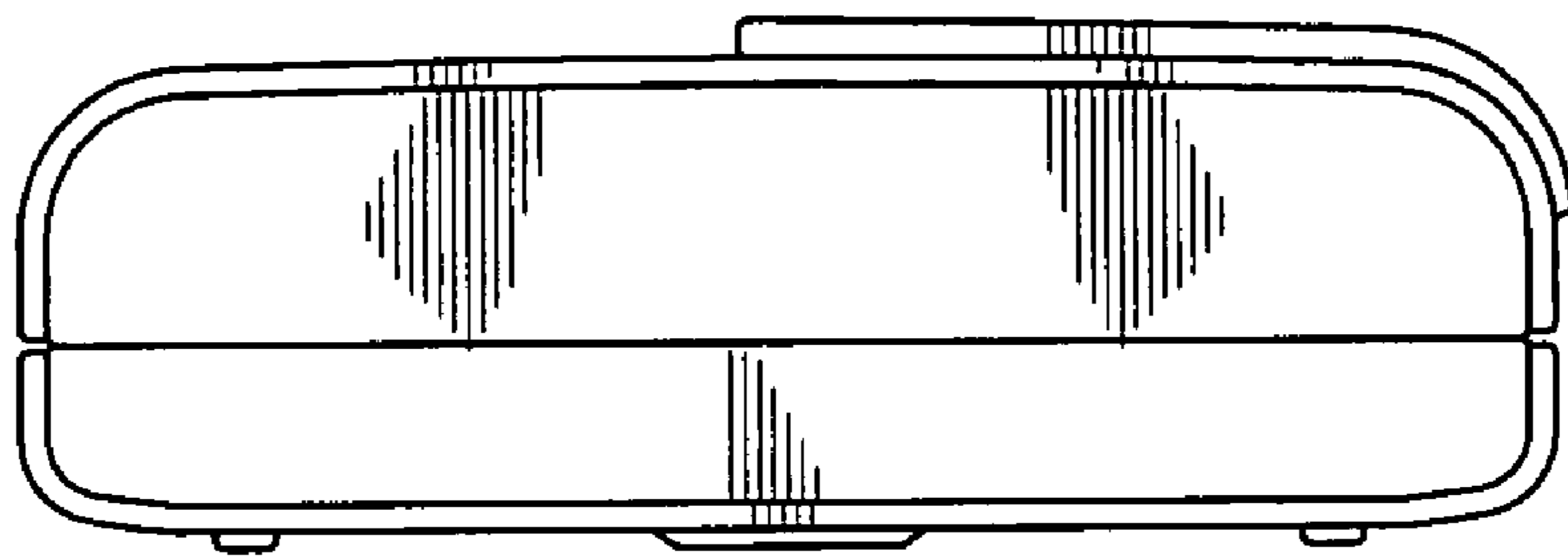


FIG. 5



# FIG. 6



# FIG. 7

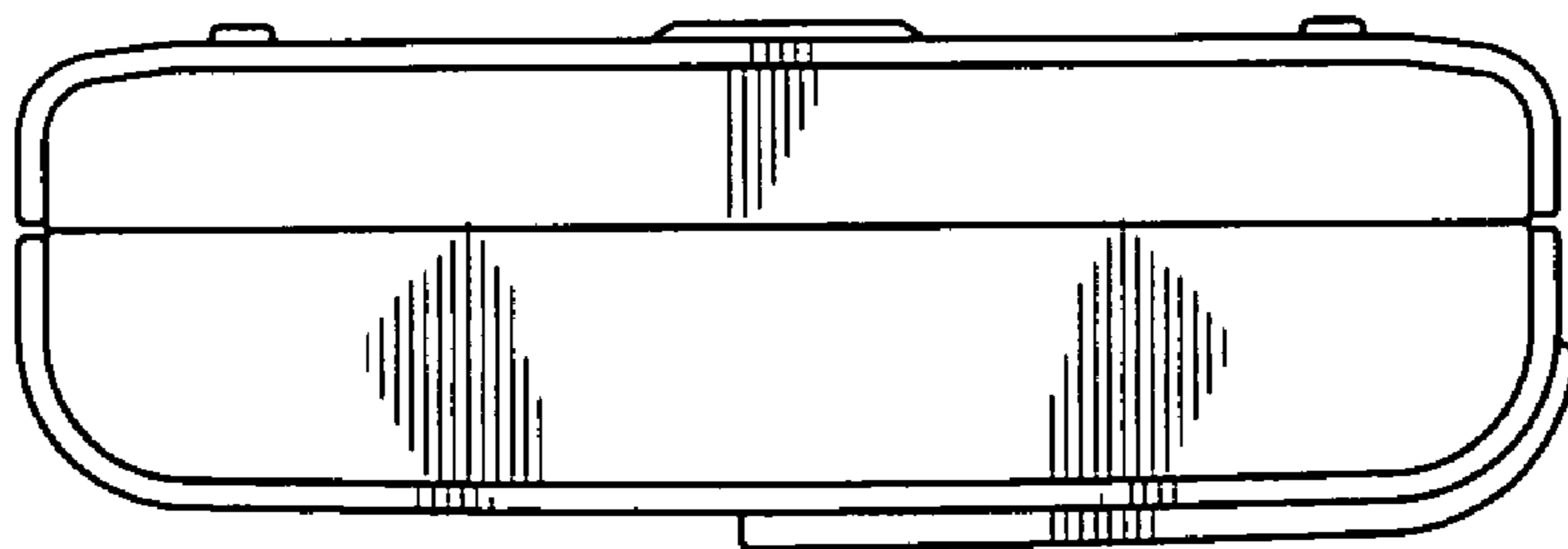


FIG. 8

