



US00D574799S

(12) **United States Design Patent**
Cronmiller et al.

(10) **Patent No.:** **US D574,799 S**

(45) **Date of Patent:** **** Aug. 12, 2008**

(54) **FACEPLATE FOR A MANUALLY OPERABLE EMERGENCY AND POLICE VEHICLE, SIREN, PUBLIC ADDRESS AND WARNING LIGHT CONTROLLER**

(75) Inventors: **James J. Cronmiller**, West Henrietta, NY (US); **Oriana J. Starr**, Rochester, NY (US)

(73) Assignee: **Star Headlight & Lantern Co., Inc.**, Avon, NY (US)

(**) Term: **14 Years**

(21) Appl. No.: **29/294,850**

(22) Filed: **Jan. 30, 2008**

(51) **LOC (8) Cl.** **14-03**

(52) **U.S. Cl.** **D14/137; D14/257; D14/258; D10/102**

(58) **Field of Classification Search** D10/102; D14/137, 139, 157, 257, 258, 188, 240, 441, D14/443; 361/814; 455/347-349, 351, 90.2
See application file for complete search history.

(56) **References Cited**

U.S. PATENT DOCUMENTS

D250,815 S *	1/1979	Yanitz	D14/137
D284,081 S *	6/1986	Taylor	D14/257
D310,371 S *	9/1990	Scott et al.	D14/258
D345,354 S *	3/1994	Ichimura	D14/137

D361,995 S *	9/1995	Culbertson	D14/137
5,477,432 A *	12/1995	Magic et al.	D14/258
D373,767 S *	9/1996	Hinderks	D14/150
D379,808 S *	6/1997	Lindeman	D14/137
D503,644 S	4/2005	Case et al.		
D511,704 S *	11/2005	Zwingmann	D10/102
D514,077 S *	1/2006	Haase et al.	D14/137

OTHER PUBLICATIONS

Signal Vehicle Products, A Division of Star Headlight & Lantern Co., Inc., Catalog 116, p. 45 (2006).

* cited by examiner

Primary Examiner—Antoine D Davis

(74) *Attorney, Agent, or Firm*—Kenneth J. Lukacher; Martin Lukacher

(57) **CLAIM**

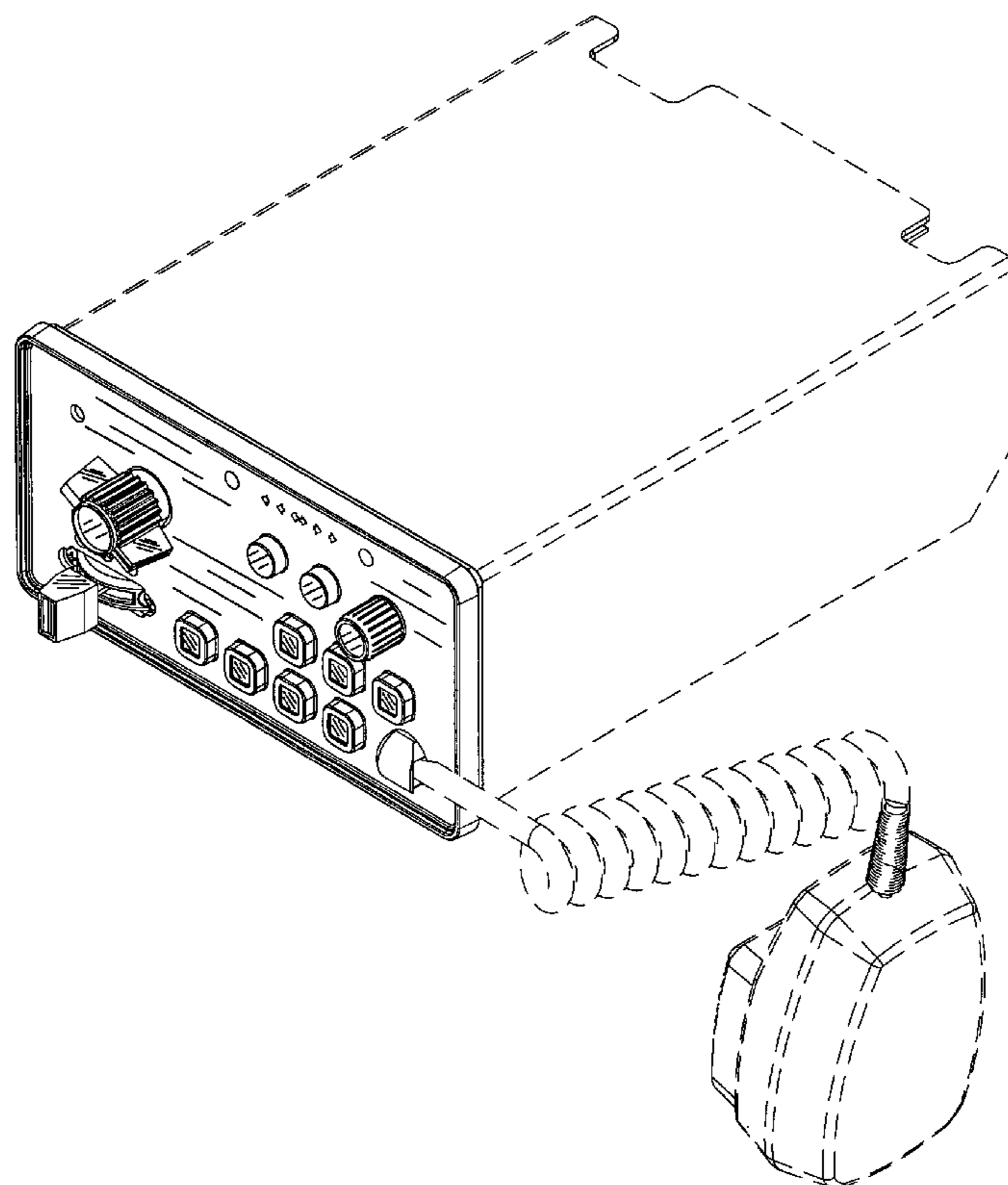
The ornamental design for a faceplate for a manually operable emergency and police vehicle, siren, public address and warning light controller, as shown and described.

DESCRIPTION

FIG. 1 is a front elevational view of a faceplate for a manually operable emergency and police vehicle, siren, public address and warning light controller embodying my invention; and,

FIG. 2 is perspective view thereof which shows in dash lines an environment thereof which environment does not form part of our invention.

1 Claim, 2 Drawing Sheets



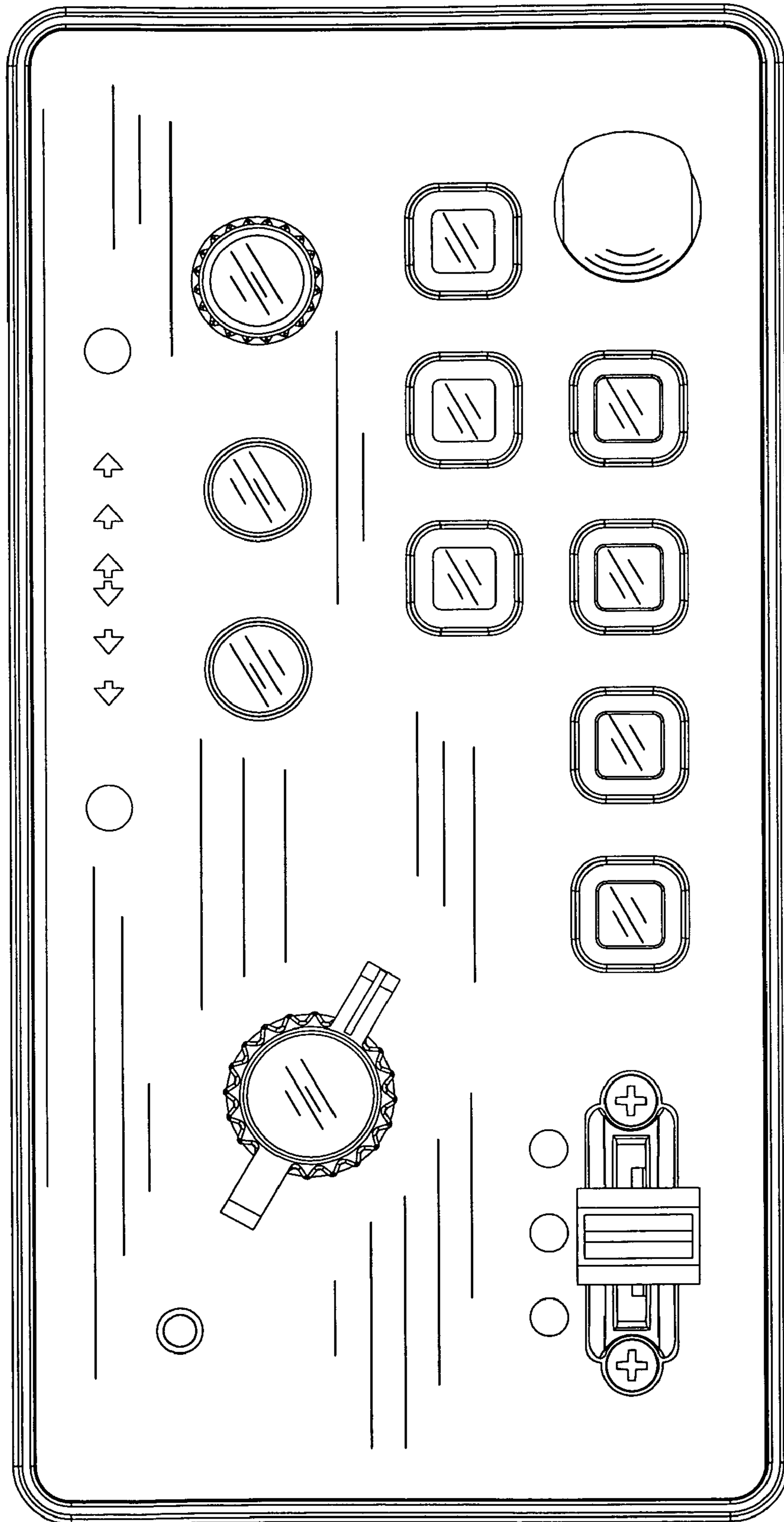


Fig. 1

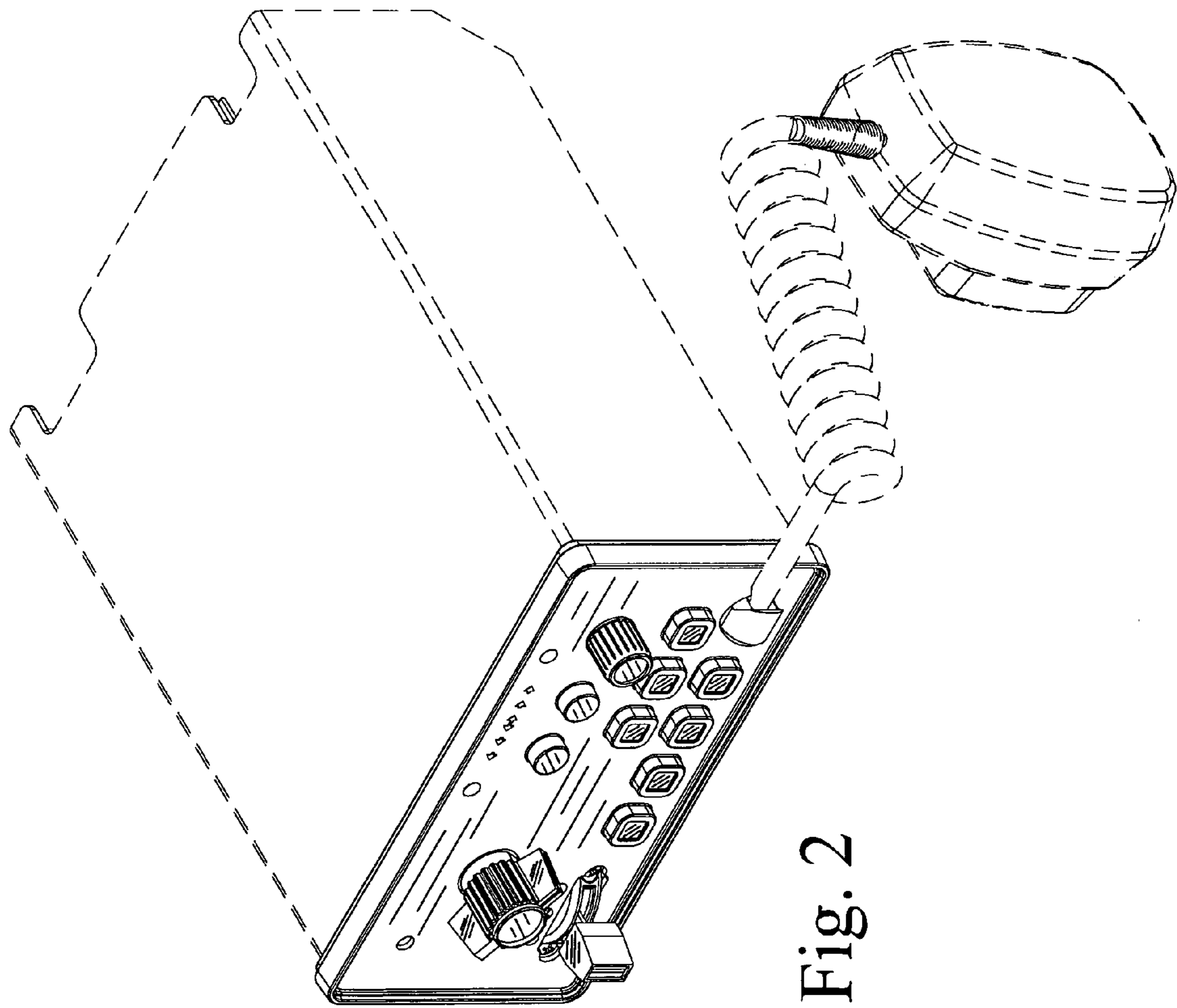


Fig. 2