



US00D574797S

(12) **United States Design Patent**
Hirose

(10) **Patent No.:** **US D574,797 S**

(45) **Date of Patent:** **** Aug. 12, 2008**

(54) **DIGITAL DISC PLAYER**

(75) Inventor: **Masami Hirose**, Hachioji (JP)

(73) Assignee: **Clarion Co., Ltd.**, Tokyo (JP)

(**) Term: **14 Years**

(21) Appl. No.: **29/287,872**

(22) Filed: **Sep. 28, 2007**

(51) **LOC (8) Cl.** **14-01**

(52) **U.S. Cl.** **D14/136**

(58) **Field of Classification Search** D14/135-136,
D14/156-157, 167-168, 198, 188, 217, 257,
D14/258, 445; 360/99.02, 137, 99.07; 369/75.11,
369/75.21, 77.21, 77.11; 720/612, 619, 647,
720/655; 455/344, 347-351
See application file for complete search history.

(56) **References Cited**

U.S. PATENT DOCUMENTS

5,848,042	A *	12/1998	Takahashi et al.	360/137
D427,990	S *	7/2000	Ito et al.	D14/156
D443,868	S *	6/2001	Ito et al.	D14/168
D538,257	S *	3/2007	Shimizu	D14/156
D540,294	S *	4/2007	Yamashita	D14/156

FOREIGN PATENT DOCUMENTS

JP	D-1118222	8/2001
JP	D-1302543	6/2007
JP	D-1307498	8/2007
JP	D-1307504	8/2007

* cited by examiner

Primary Examiner—Nanda Bondade

(74) *Attorney, Agent, or Firm*—Olliff & Berridge, PLC

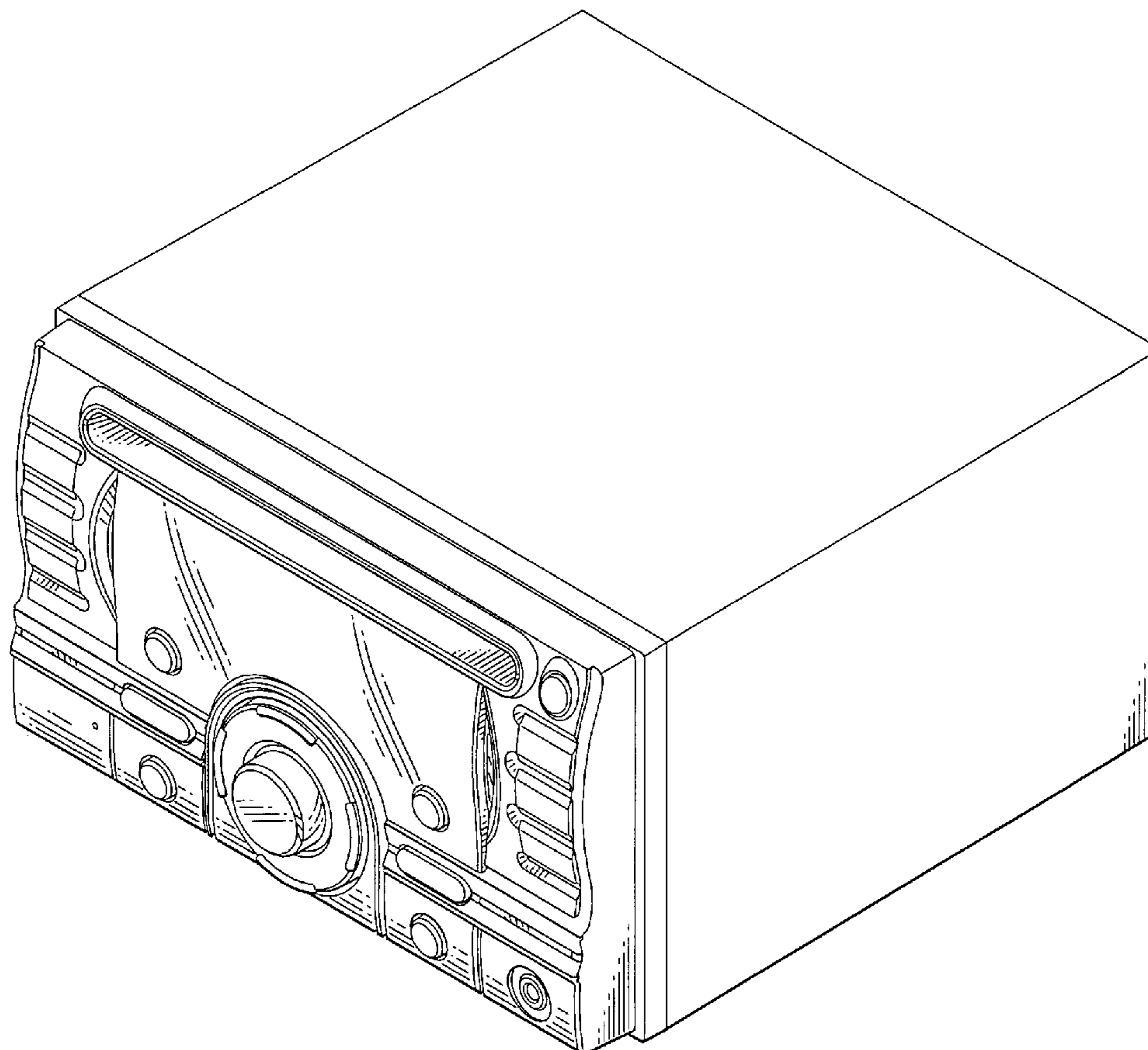
(57) **CLAIM**

The ornamental design for a digital disc player, as shown and described.

DESCRIPTION

FIG. 1 is a perspective view of a digital disc player;
FIG. 2 is a front view thereof;
FIG. 3 is a rear view thereof;
FIG. 4 is a left-side view thereof;
FIG. 5 is a right-side view thereof;
FIG. 6 is a top view thereof; and,
FIG. 7 is a bottom view thereof.

1 Claim, 5 Drawing Sheets



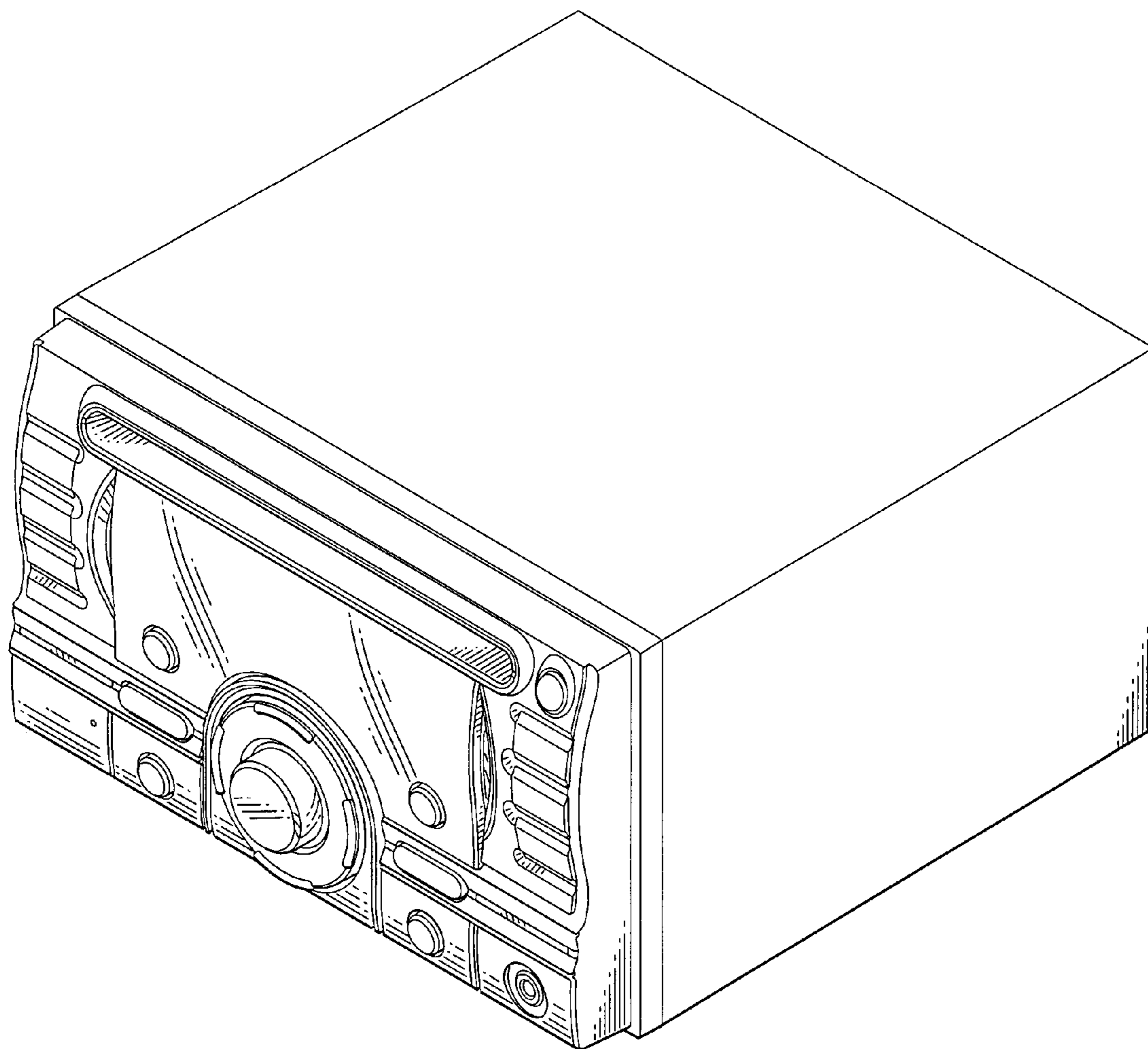


FIG.1

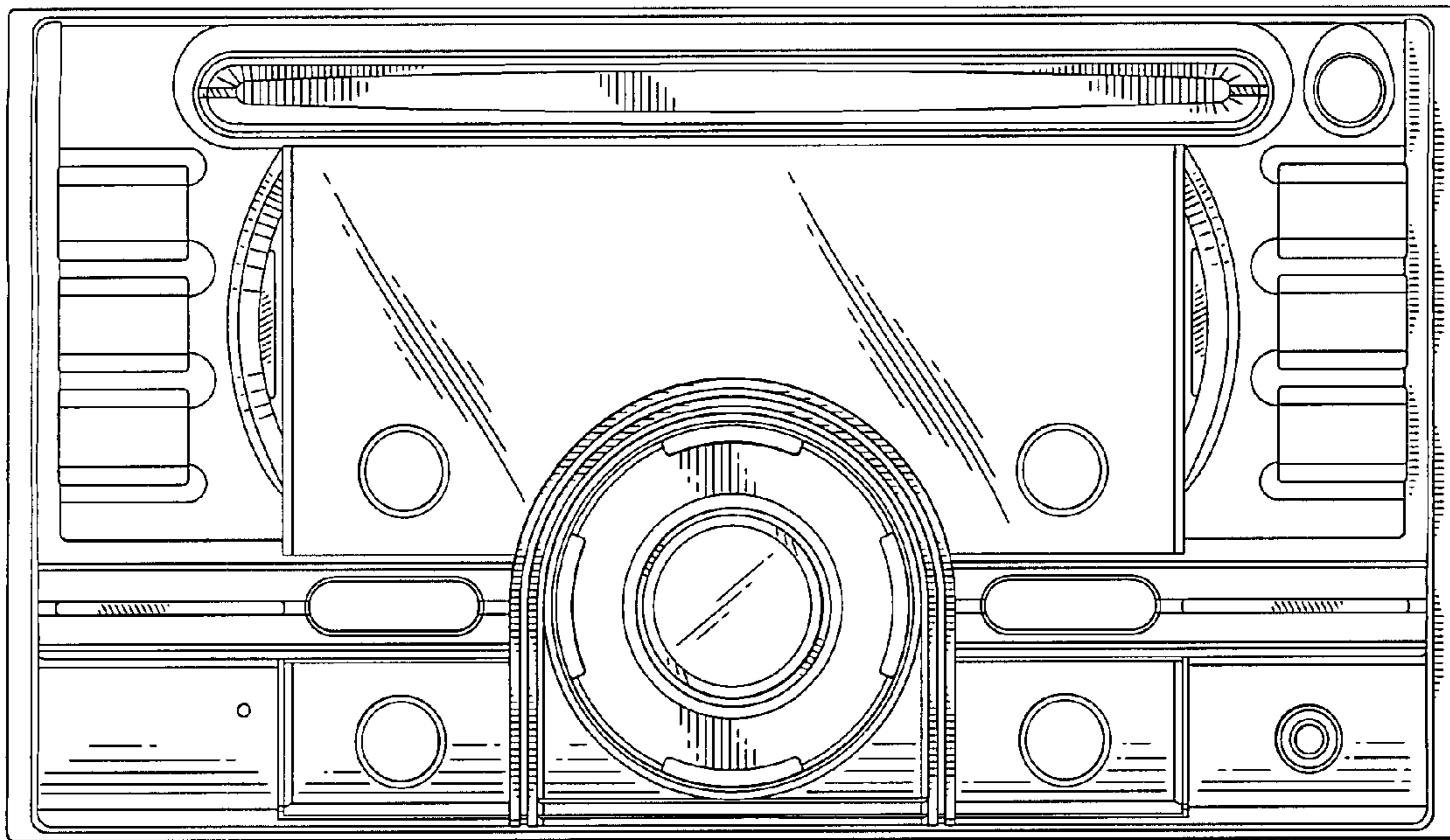


FIG. 2

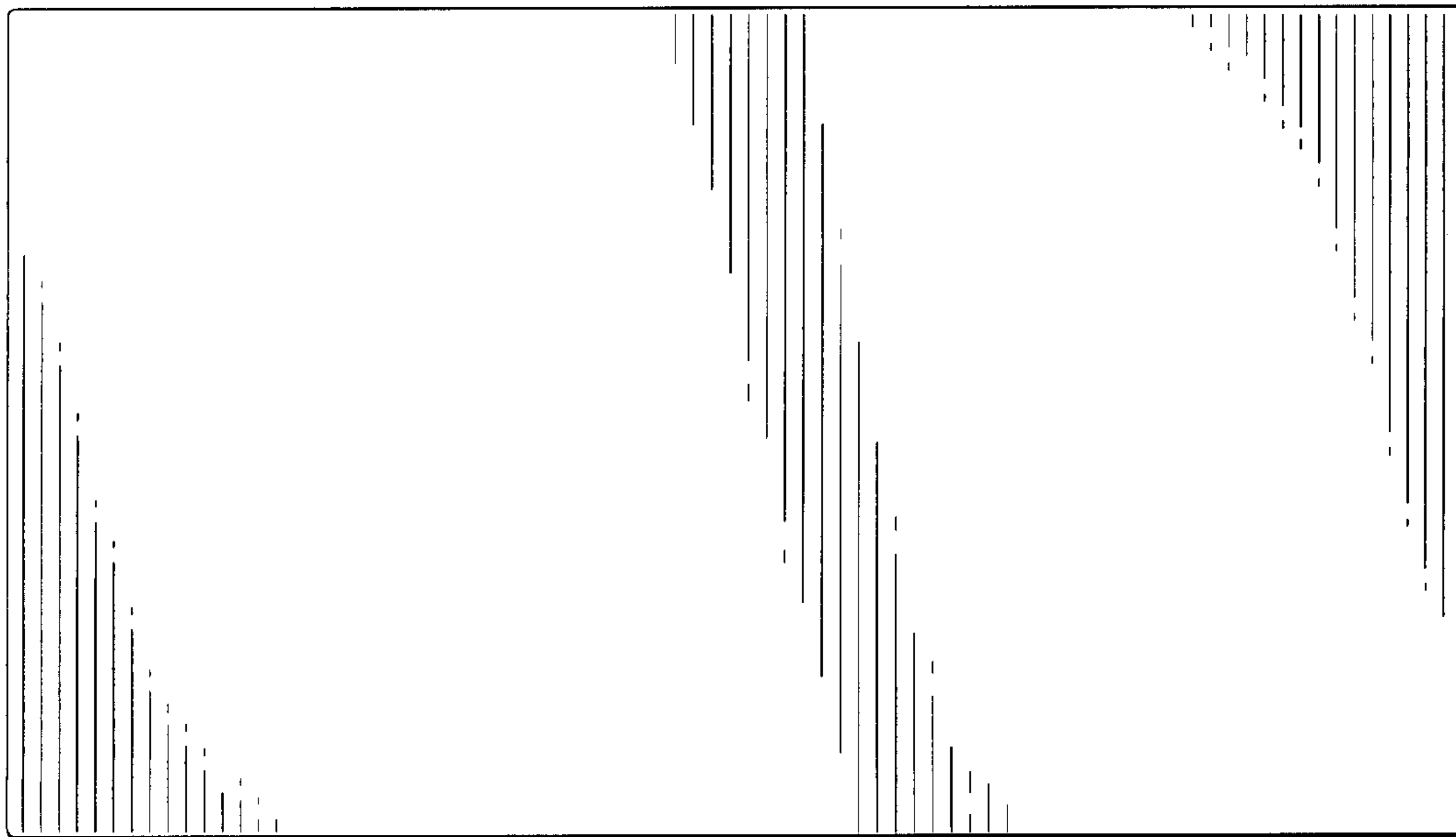


FIG. 3

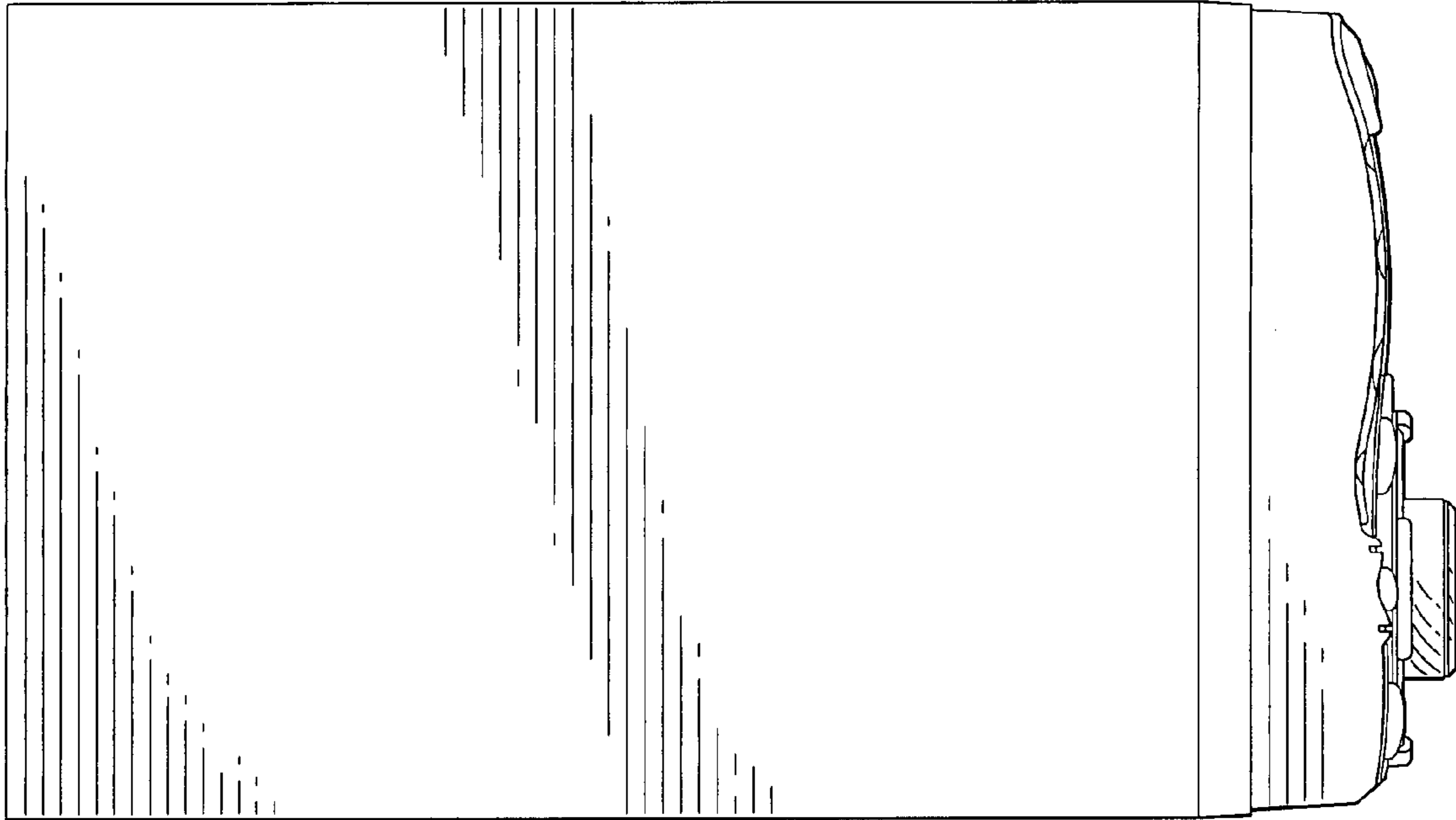


FIG. 4

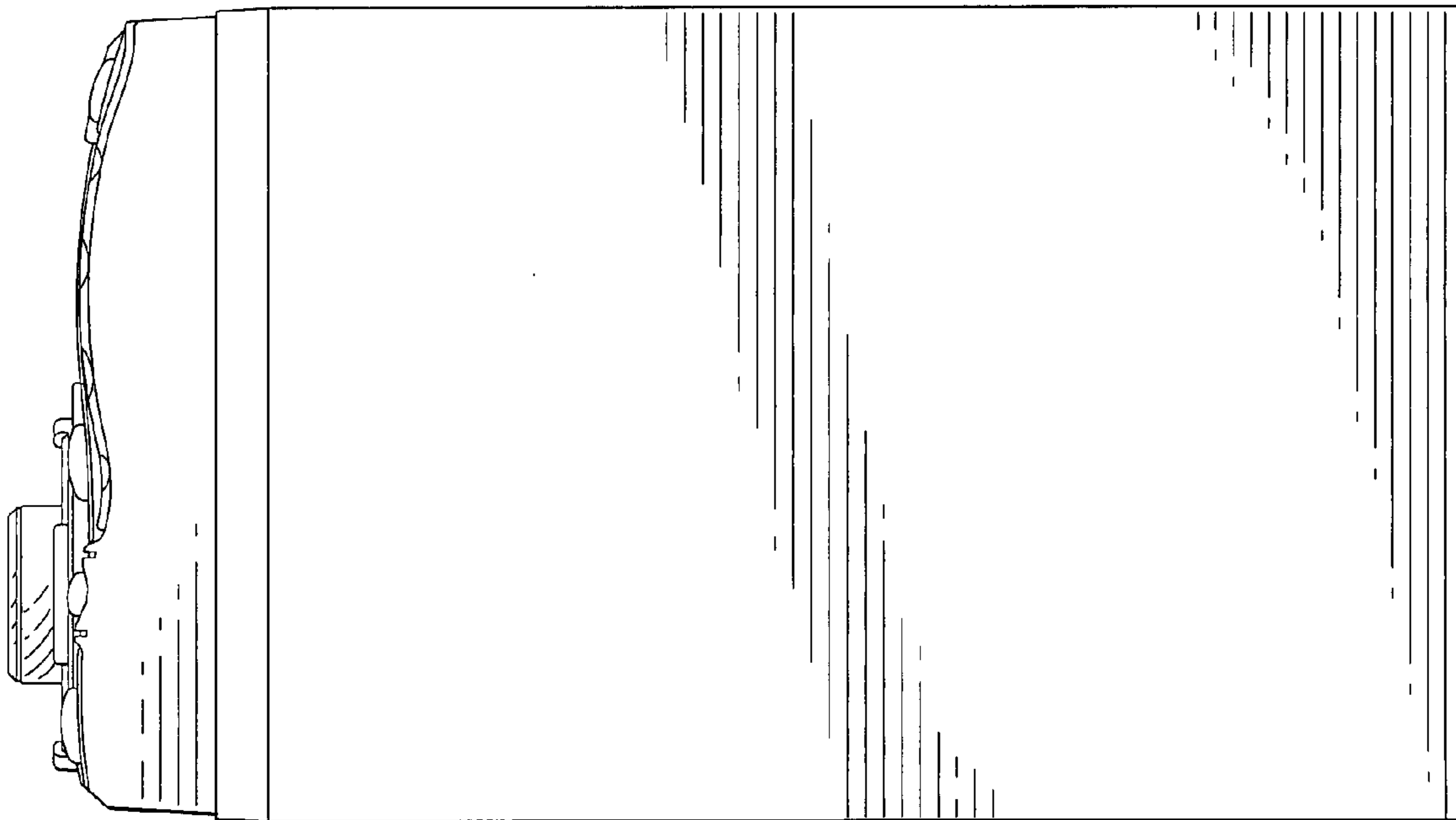


FIG. 5

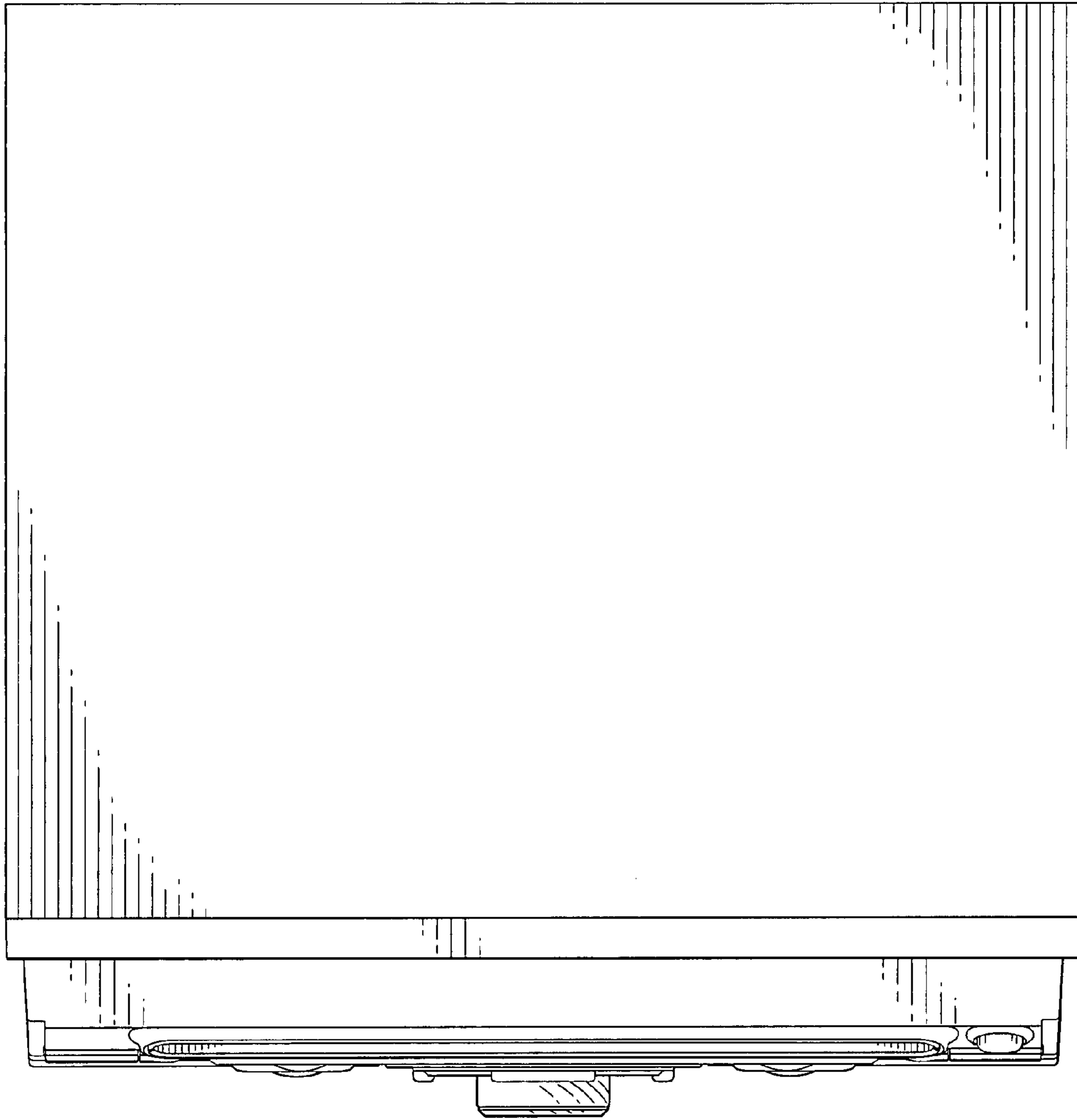


FIG.6

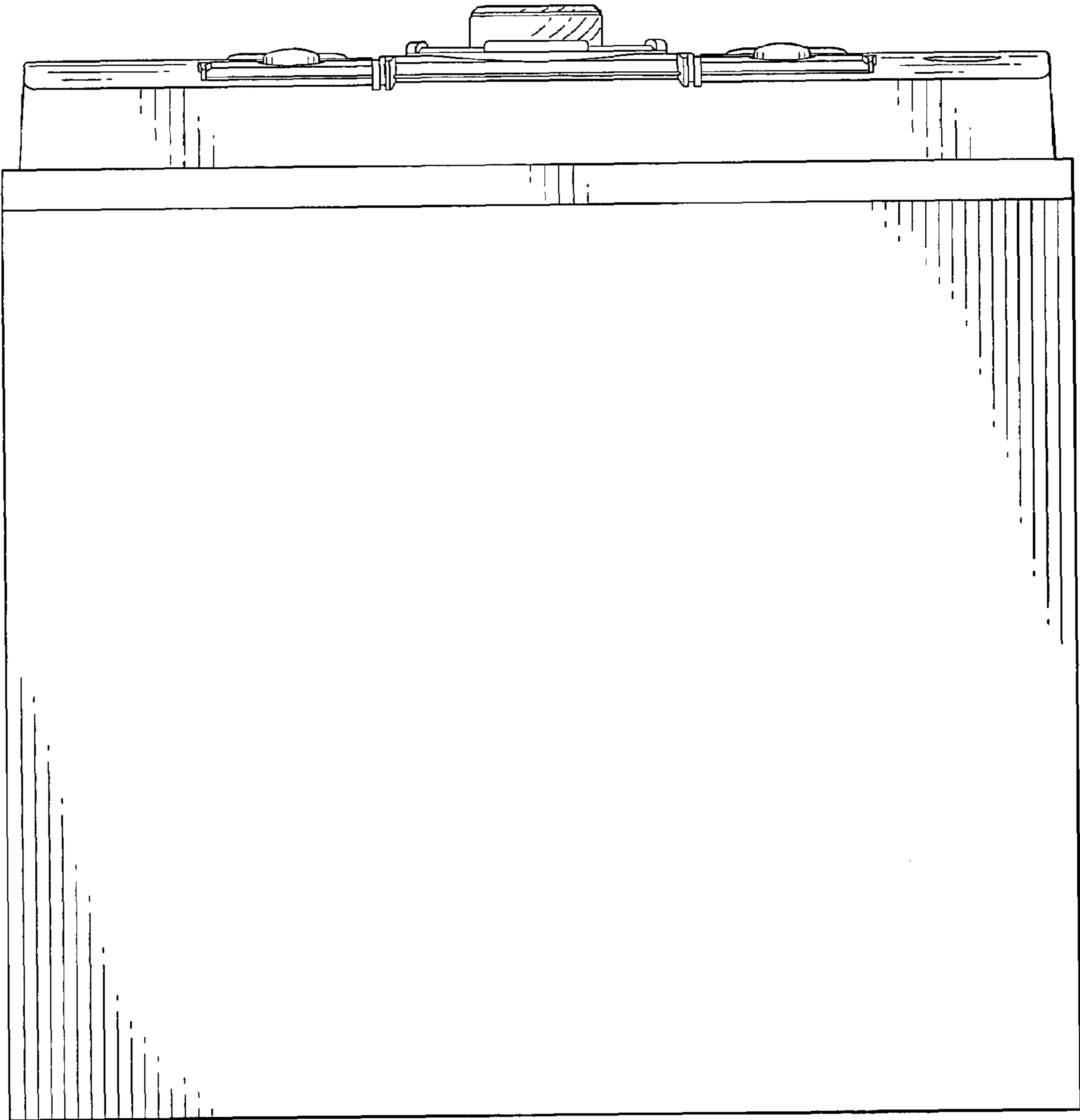


FIG. 7