



US00D574796S

(12) **United States Design Patent**
Yokoyama

(10) **Patent No.:** **US D574,796 S**

(45) **Date of Patent:** **** Aug. 12, 2008**

(54) **COMBINED MONITOR DISPLAY AND DISC PLAYER**

(75) Inventor: **Hiroaki Yokoyama**, Tokyo (JP)

(73) Assignee: **Sony Corporation**, Tokyo (JP)

(**) Term: **14 Years**

(21) Appl. No.: **29/273,264**

(22) Filed: **Mar. 2, 2007**

(30) **Foreign Application Priority Data**

Dec. 27, 2006 (JP) D2006-035776

(51) **LOC (8) Cl.** **14-03**

(52) **U.S. Cl.** **D14/132**

(58) **Field of Classification Search** D14/125-134,
D14/239, 371, 136, 374-377, 440, 450, 448,
D14/336, 342; 312/7.2; 348/836, 838, 180,
348/184, 325, 739; 341/12; 248/917-924,
248/465; 345/104, 133, 156, 168, 87, 173;
720/605, 669, 600, 655; 369/99, 197; 455/344,
455/347; D21/329, 515, 577, 622, 333, 433,
D21/448, 452, 450, 331; D6/477, 479; 273/148 B;
446/484, 175, 356; D10/15, 26
See application file for complete search history.

(56) **References Cited**

U.S. PATENT DOCUMENTS

D362,236 S * 9/1995 Dann et al. D14/336
D391,251 S 2/1998 Yuyama et al.
D460,745 S 7/2002 Kanatani
6,570,628 B1 * 5/2003 Hirano 349/11

6,816,177 B2 * 11/2004 Wang et al. 345/156
D532,399 S * 11/2006 Sogabe et al. D14/132
D533,859 S * 12/2006 Nishii et al. D14/132
D548,706 S * 8/2007 Yang et al. D14/126
D564,474 S * 3/2008 Miyawaki D14/129

OTHER PUBLICATIONS

Web page "XAV-77" http://www.sony.jp/products/me/contents/navi/lineup/xav_77.html, 2 sheets, Sony (Aug. 2006).

Press release "News and Information" <http://www.sony.jp/CorporateCruise/Press/200304/03-0407/>, 8 sheets, Sony Marketing (Japan) Inc. (Aug. 2003).

* cited by examiner

Primary Examiner—Raphael Barkai

(74) *Attorney, Agent, or Firm*—Rader, Fishman & Grauer, PLLC

(57) **CLAIM**

The ornamental design for a combined monitor display and disc player, as shown and described.

DESCRIPTION

FIG. 1 is a perspective view of a combined monitor display and disc player showing my new design;

FIG. 2 is a front elevational view thereof;

FIG. 3 is a left side elevational view thereof;

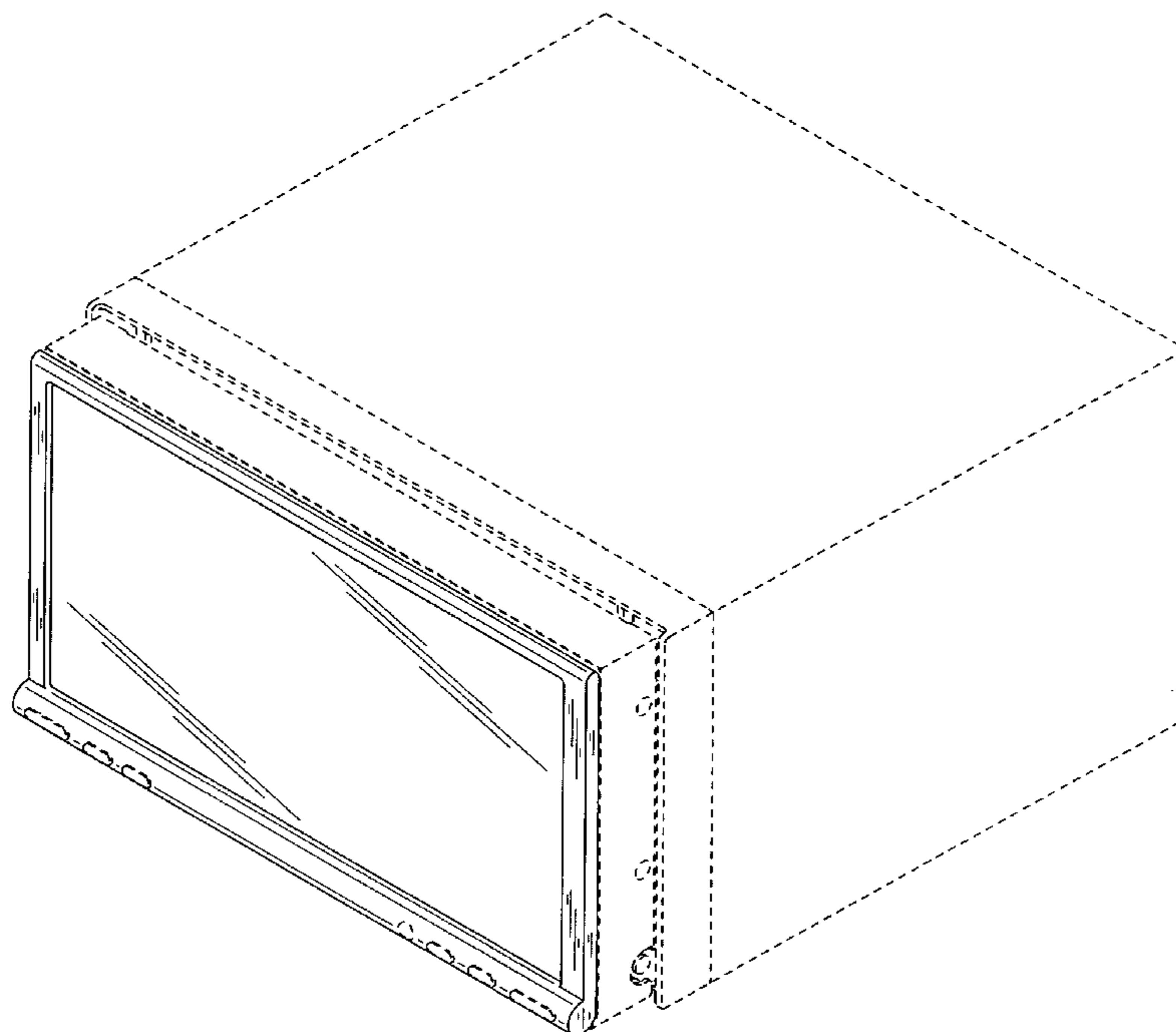
FIG. 4 is a right side elevational view thereof;

FIG. 5 is a top plan view thereof; and,

FIG. 6 is a bottom plan view thereof.

The portions indicated in broken lines are for illustrative purposes only and form no part of the claimed design.

1 Claim, 6 Drawing Sheets



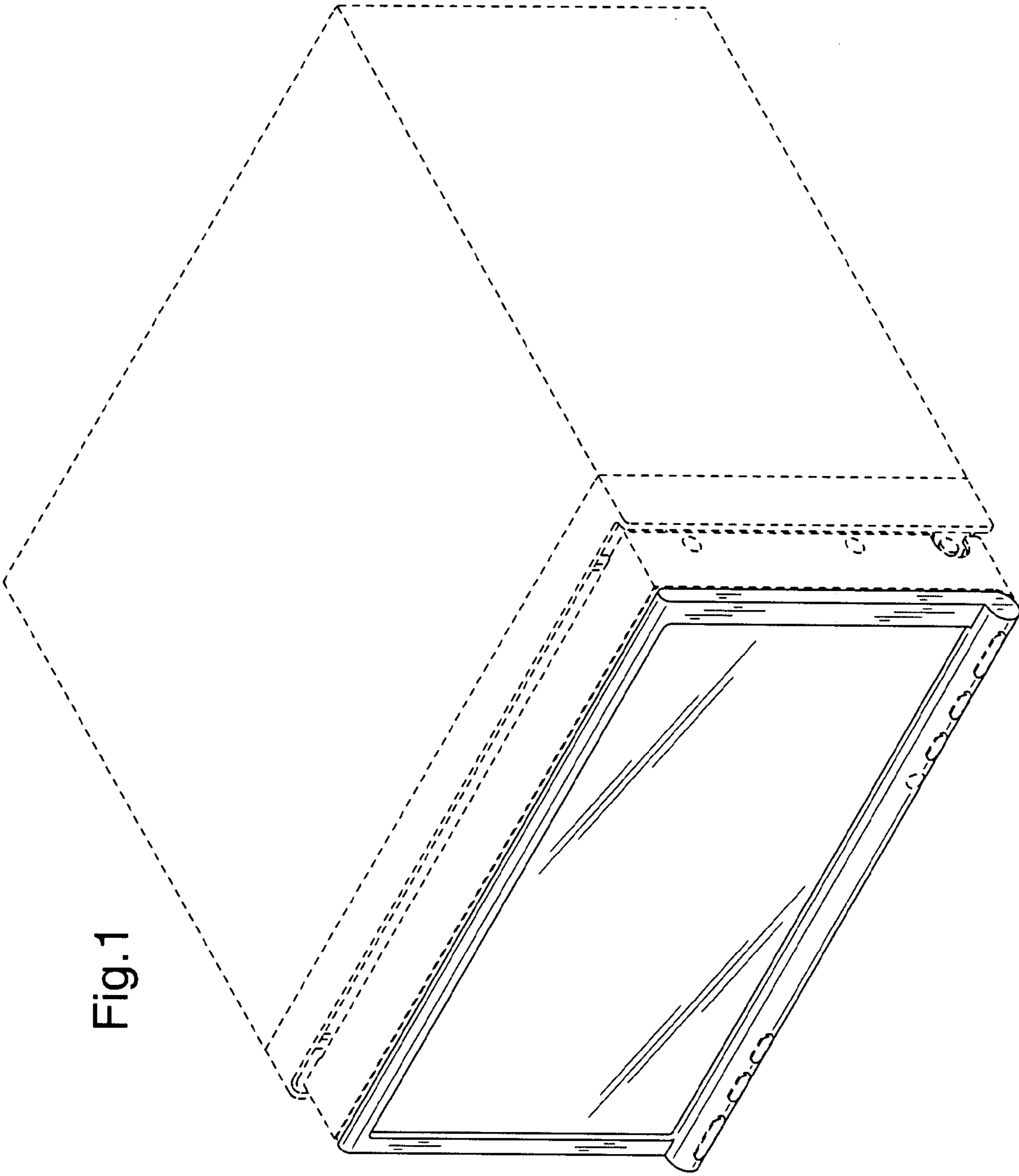


Fig.1

Fig. 2

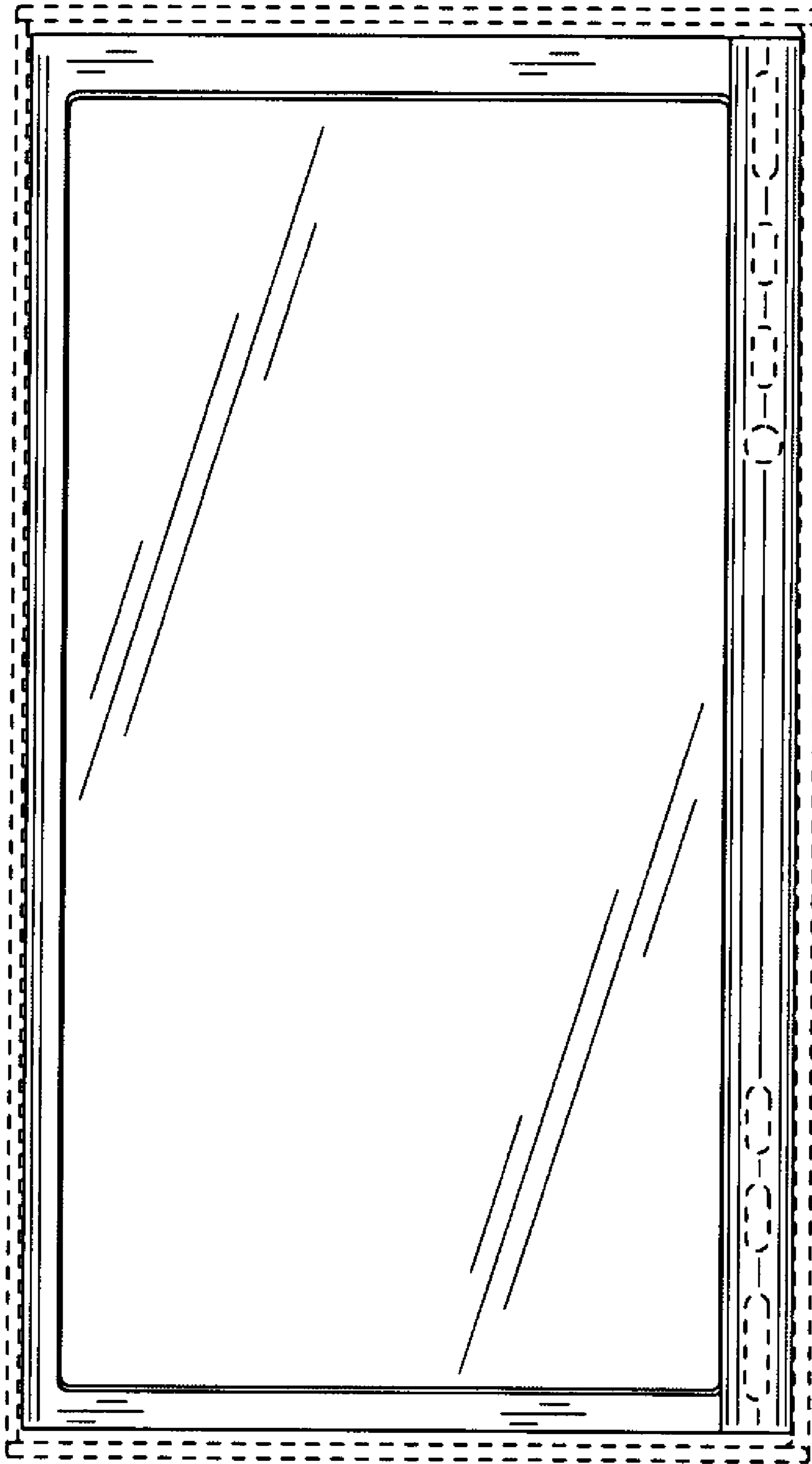


Fig. 3

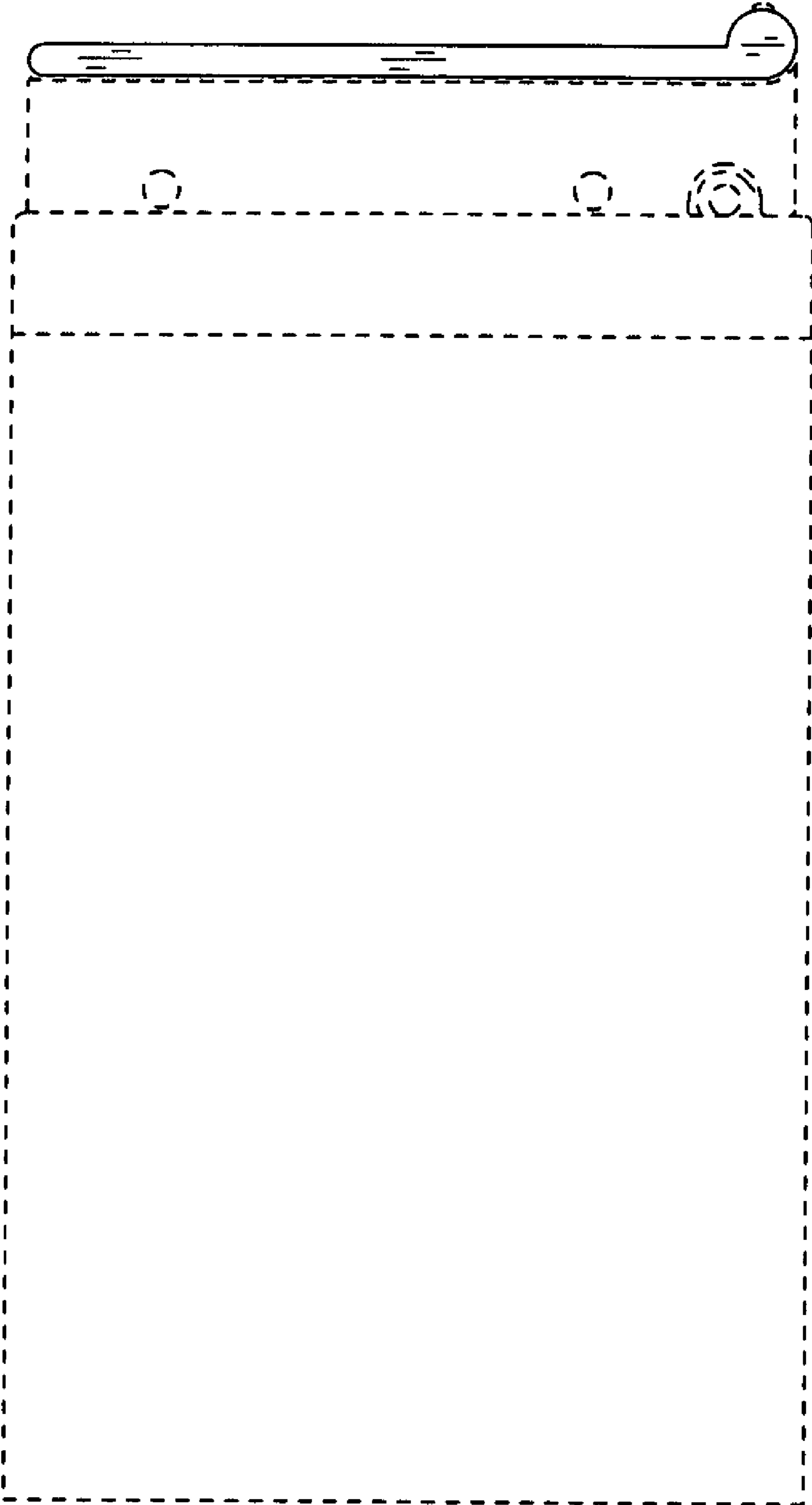


Fig.4

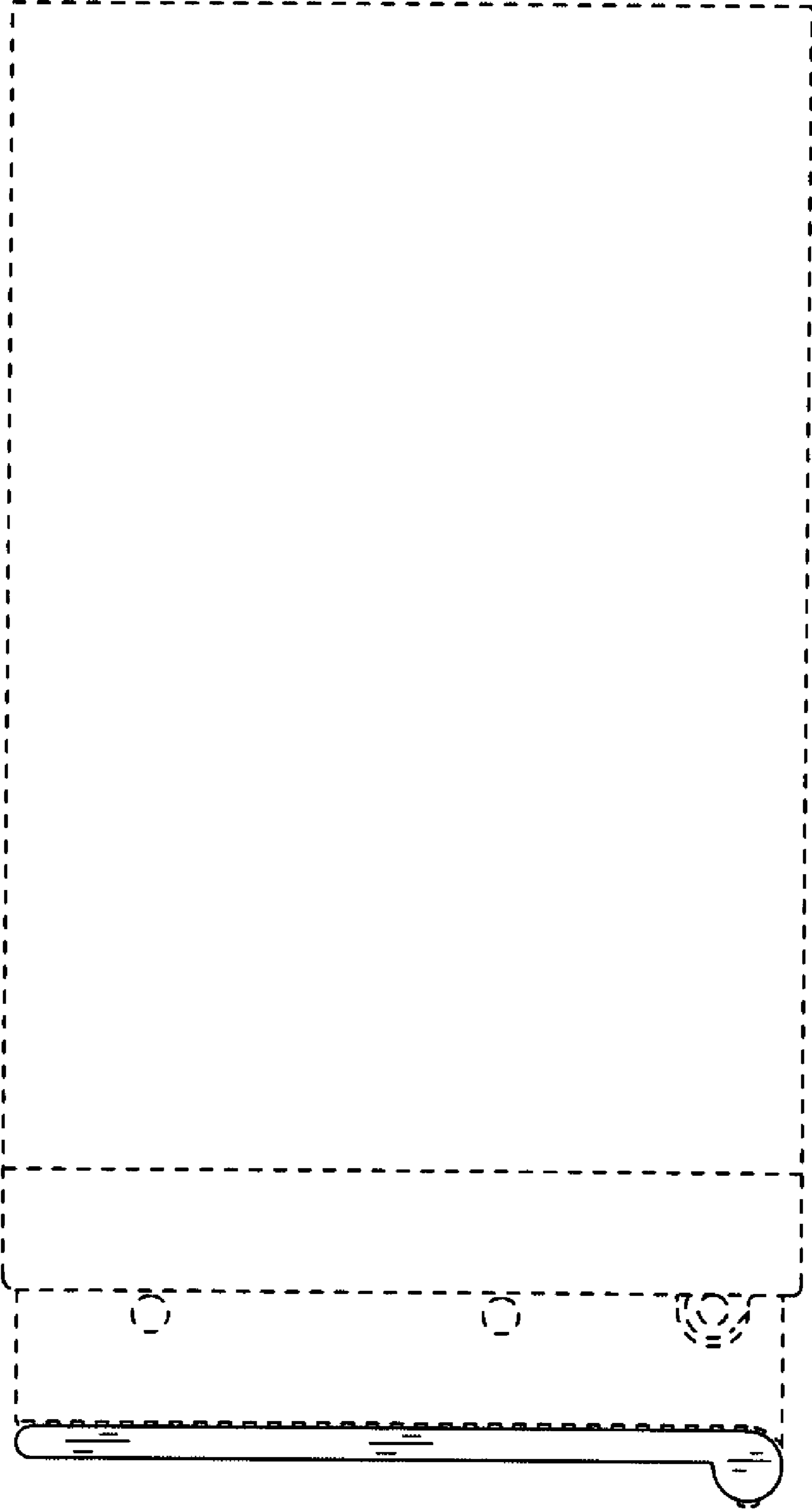


Fig.5

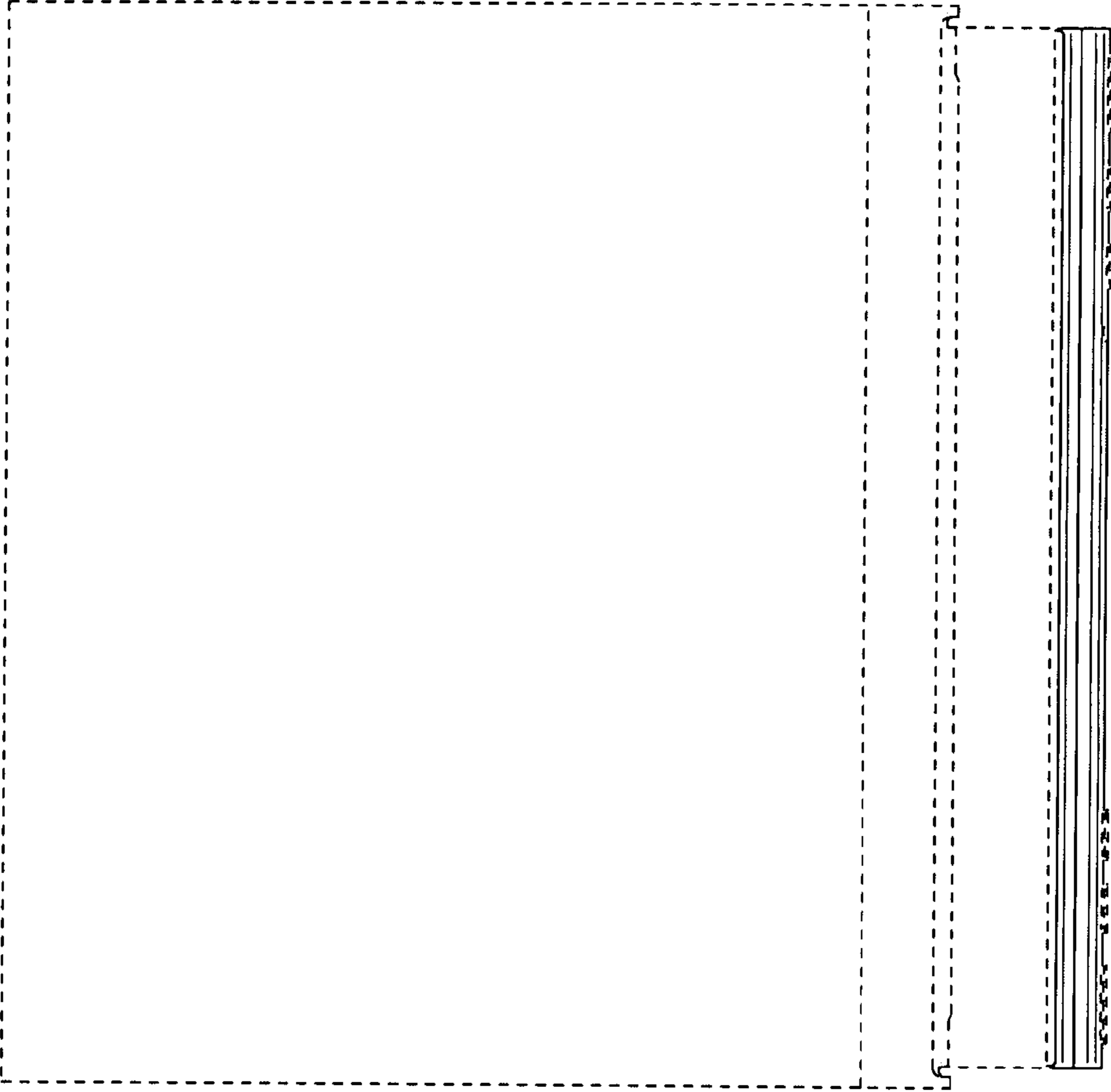


Fig.6

