



US00D574795S

(12) **United States Design Patent**
Wlotzka

(10) **Patent No.:** **US D574,795 S**

(45) **Date of Patent:** **** Aug. 12, 2008**

(54) **PORTABLE DVD PLAYER**

(75) Inventor: **Paul Ernst Joachim Wlotzka,**
Nürtingen (DE)

(73) Assignee: **Harman International Industries,**
Incorporated, Northridge, CA (US)

(**) Term: **14 Years**

(21) Appl. No.: **29/284,773**

(22) Filed: **Sep. 14, 2007**

(30) **Foreign Application Priority Data**

Mar. 15, 2007 (EM) 000689013

(51) **LOC (8) Cl.** **14-03**

(52) **U.S. Cl.** **D14/129**

(58) **Field of Classification Search** D14/125-134,
D14/239, 371, 136, 374-377, 440, 450, 448,
D14/336, 342; 312/7.2; 348/836, 838, 180,
348/184, 325, 739; 341/12; 248/917-924,
248/465; 345/104, 133, 156, 168, 87, 173;
720/605, 669, 600, 655; 369/99, 197; 455/344,
455/347; D21/329, 515, 577, 622, 333, 433,
D21/448, 452, 450, 331; D6/477, 479; 273/148 B;
446/484, 175, 356; D10/15, 26
See application file for complete search history.

(56) **References Cited**

U.S. PATENT DOCUMENTS

D402,979 S * 12/1998 Ogasawara D14/136
D533,156 S * 12/2006 Nakata D14/126
D543,167 S * 5/2007 Hung D14/129
D551,196 S * 9/2007 Hsiung D14/129

D554,086 S * 10/2007 Hsiung D14/129
D559,859 S * 1/2008 Kim D14/496
D565,526 S * 4/2008 Ishikawa et al. D14/129

* cited by examiner

Primary Examiner—Raphael Barkai

(74) *Attorney, Agent, or Firm*—Plumsea Law Group, LLC

(57) **CLAIM**

The ornamental design for a portable DVD player, as shown and described.

DESCRIPTION

FIG. 1 is a perspective view of a portable DVD player showing my new design;

FIG. 2 is a front elevational view thereof;

FIG. 3 is a rear elevational view thereof;

FIG. 4 is a side elevational view thereof;

FIG. 5 is a side elevational view of the other side thereof;

FIG. 6 is a top plan view thereof;

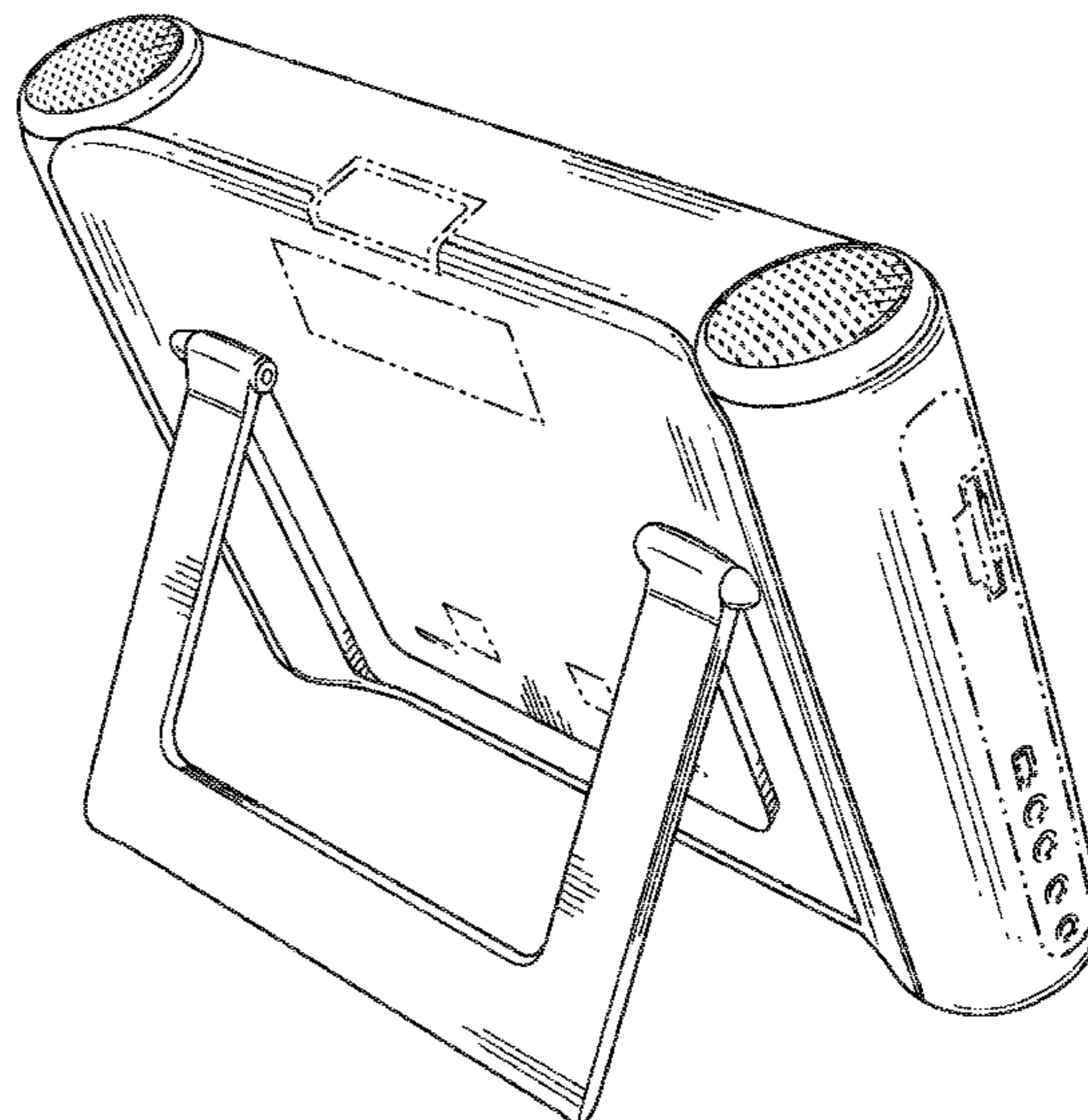
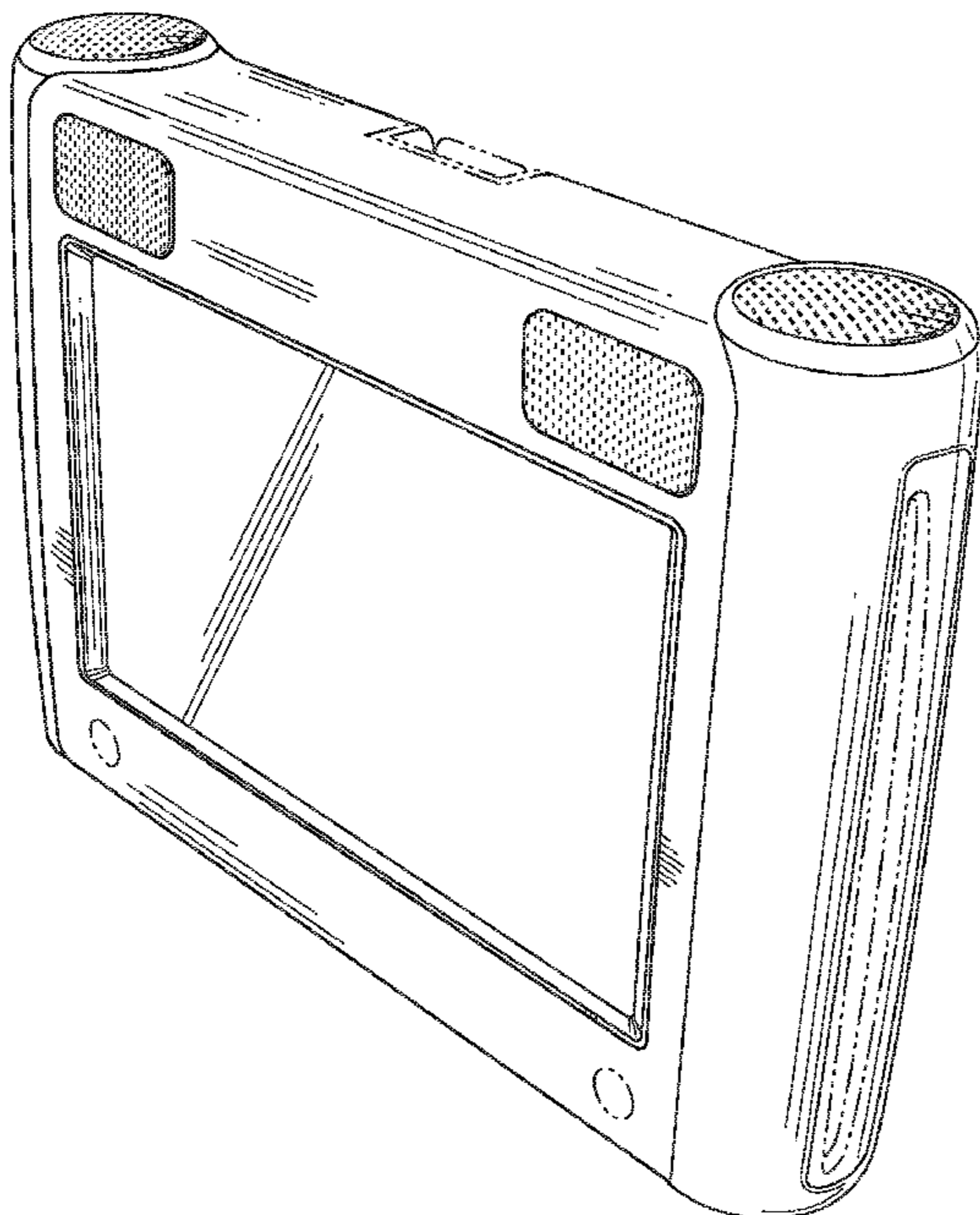
FIG. 7 is a bottom view thereof;

FIG. 8 is a rear perspective view thereof; and,

FIG. 9 is a side elevational view of the same side as FIG. 4 but shown with the stand in an open configuration.

The broken line showings of the circles on the front face; the rectangular area on the top surface; rectangles on the rear face; the slot shape in the side surface shown in FIGS. 4 and 9; the rectangle and ports on the side surface shown in FIG. 5; the circles and circle portions on the bottom surface shown in FIG. 7; and the locking tab shown in FIG. 9 are for illustrative purposes only and form no part of the claimed design.

1 Claim, 9 Drawing Sheets



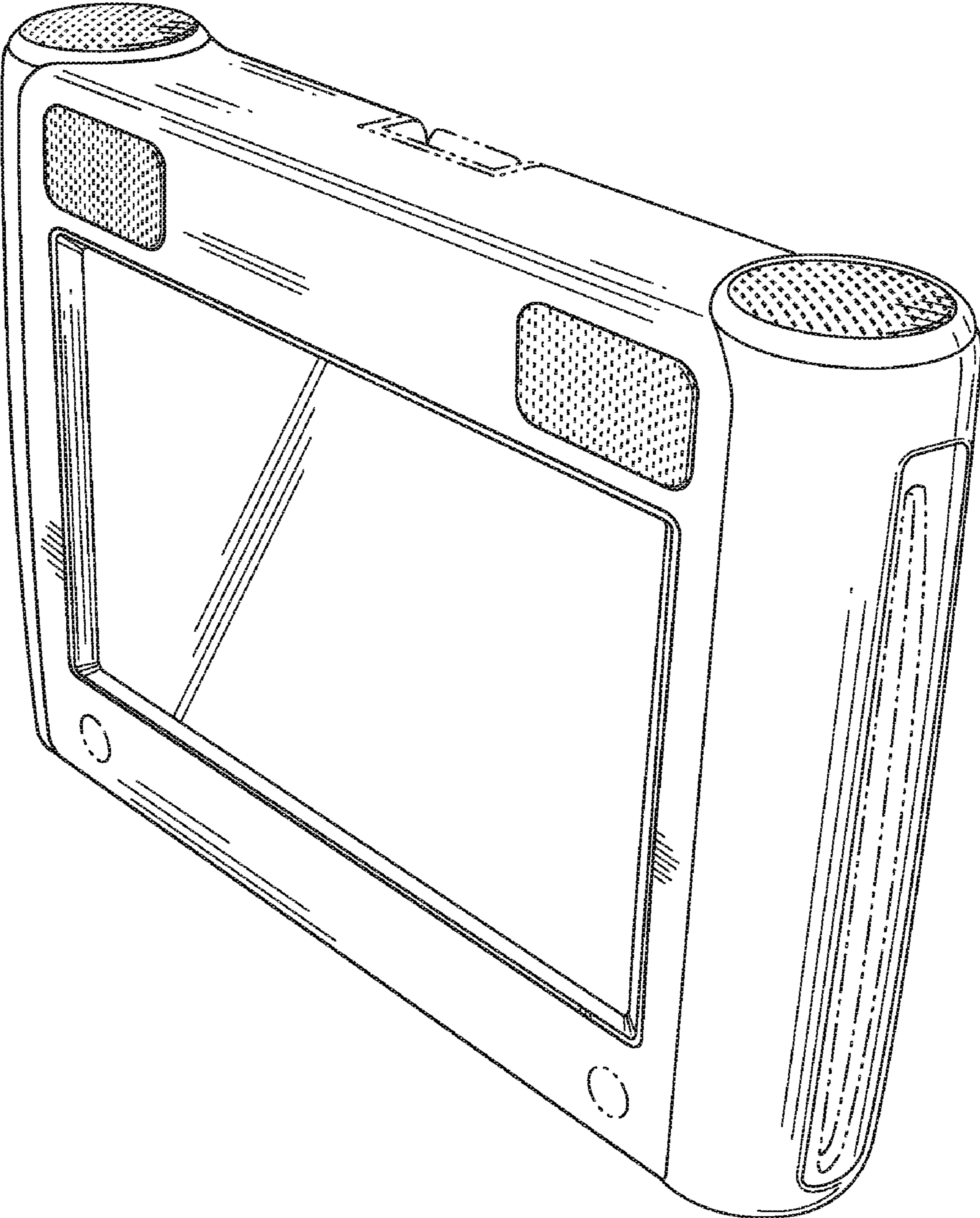


Fig. 1

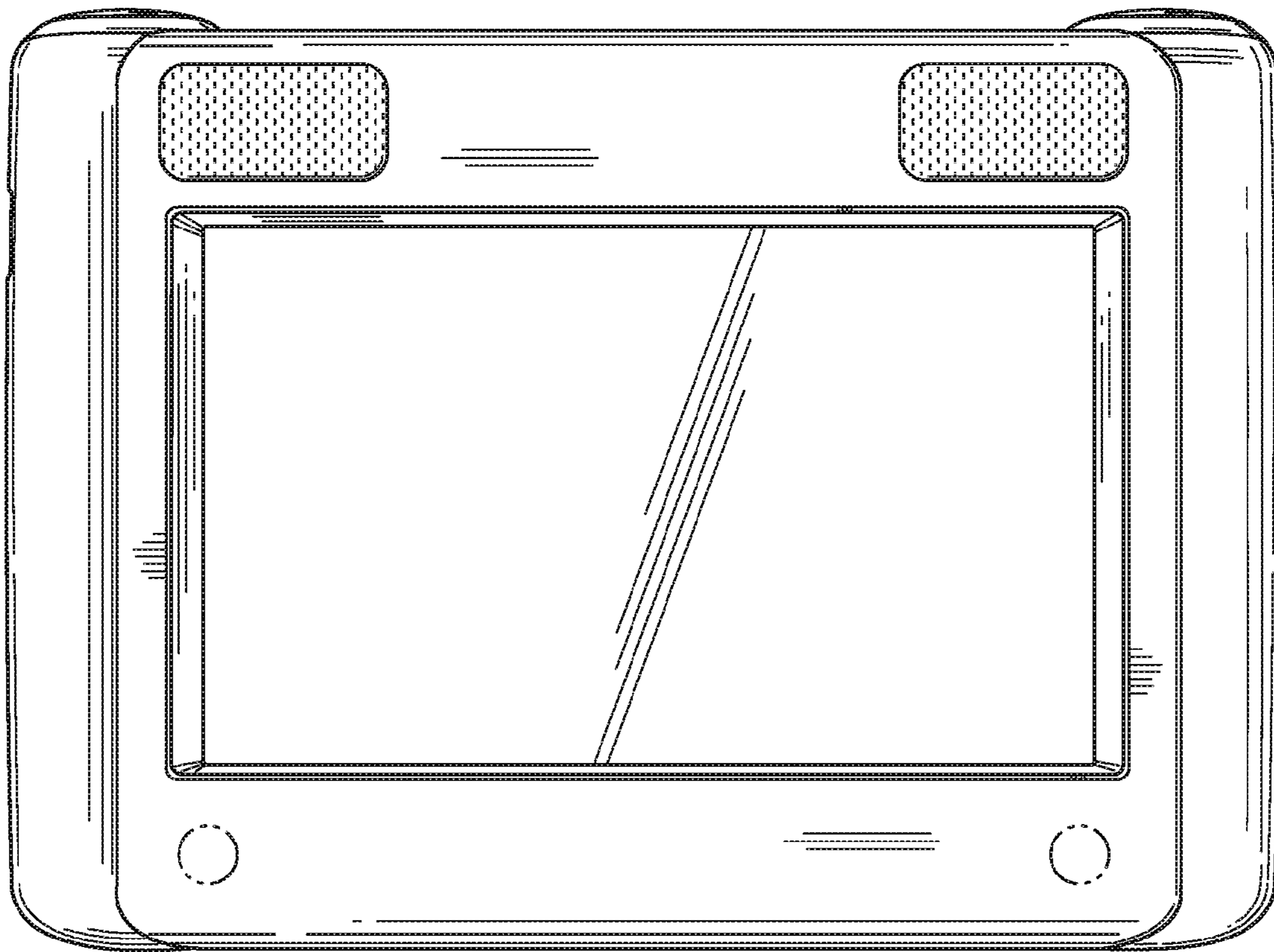


Fig. 2

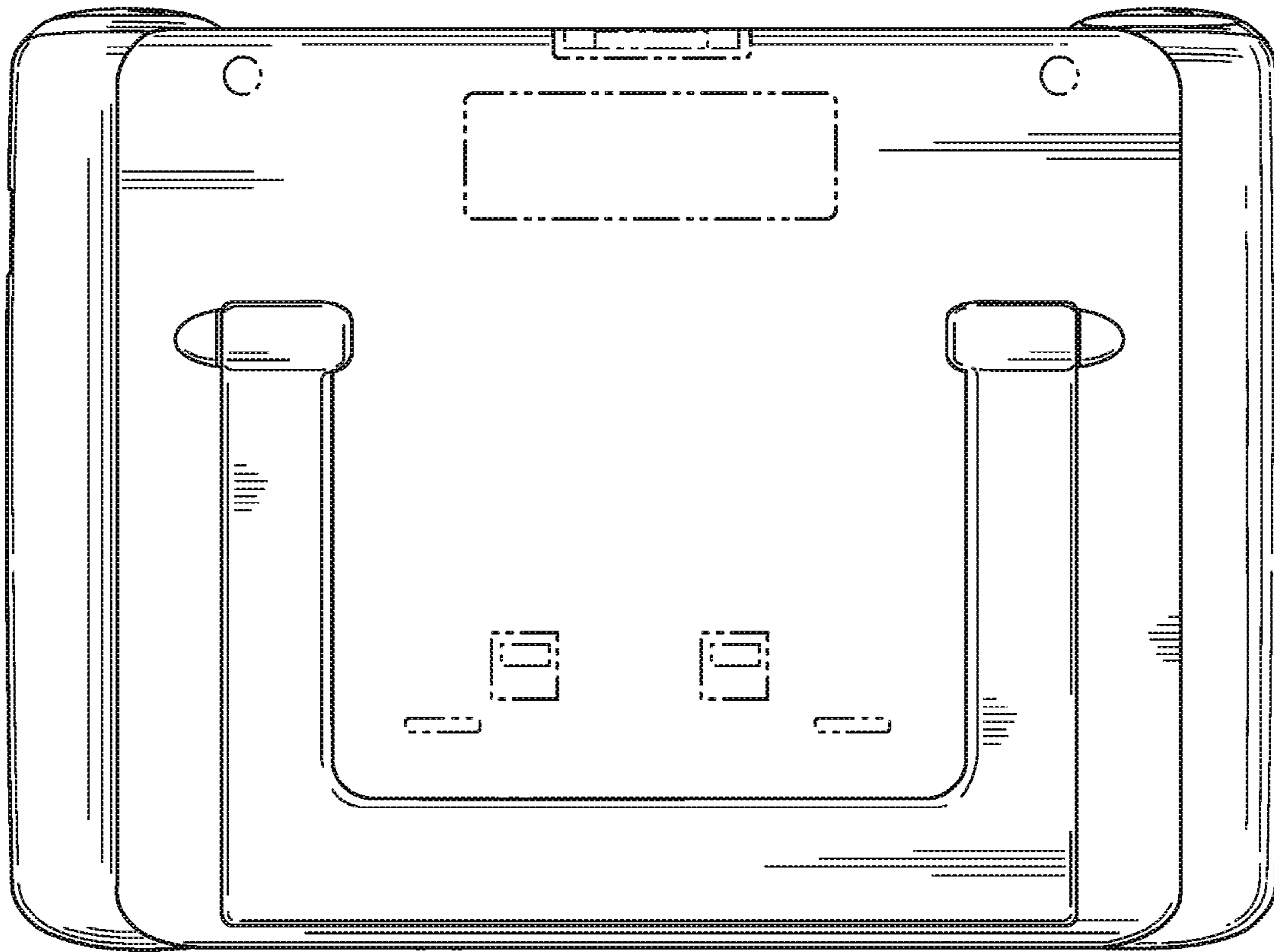


Fig. 3

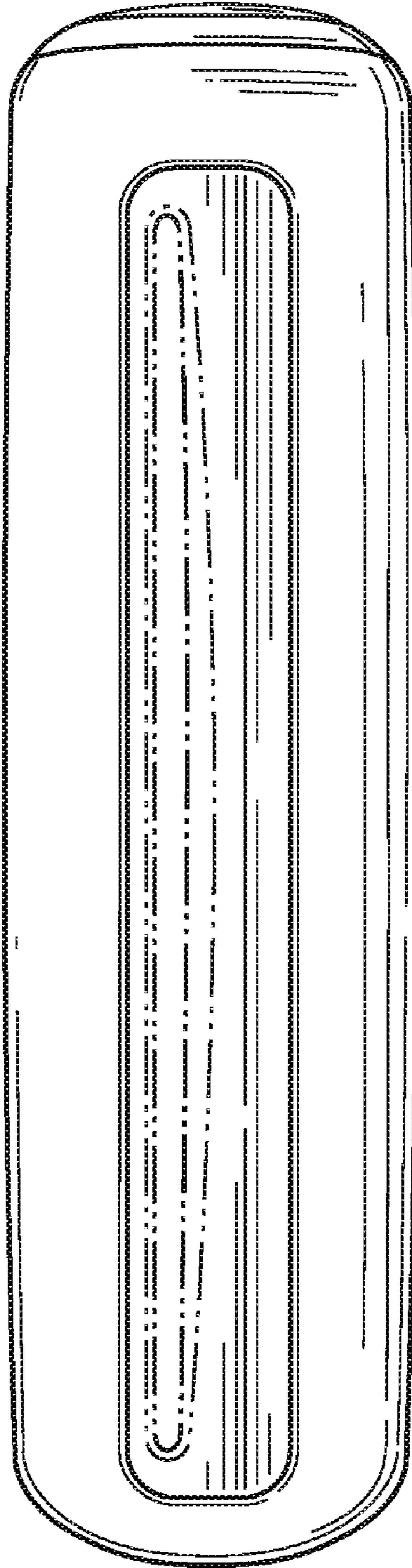


Fig. 4

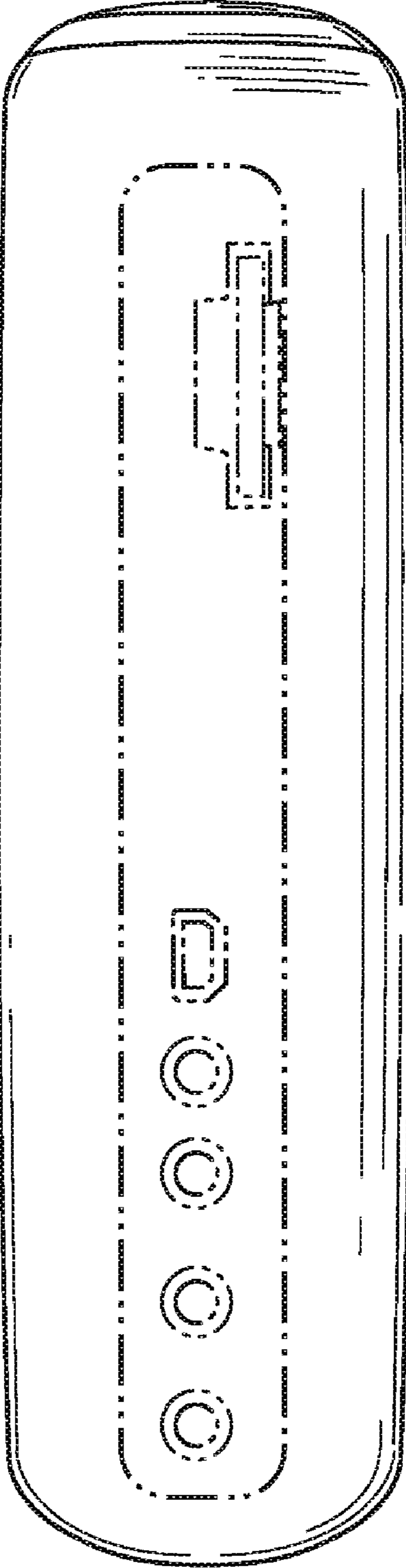


Fig. 5

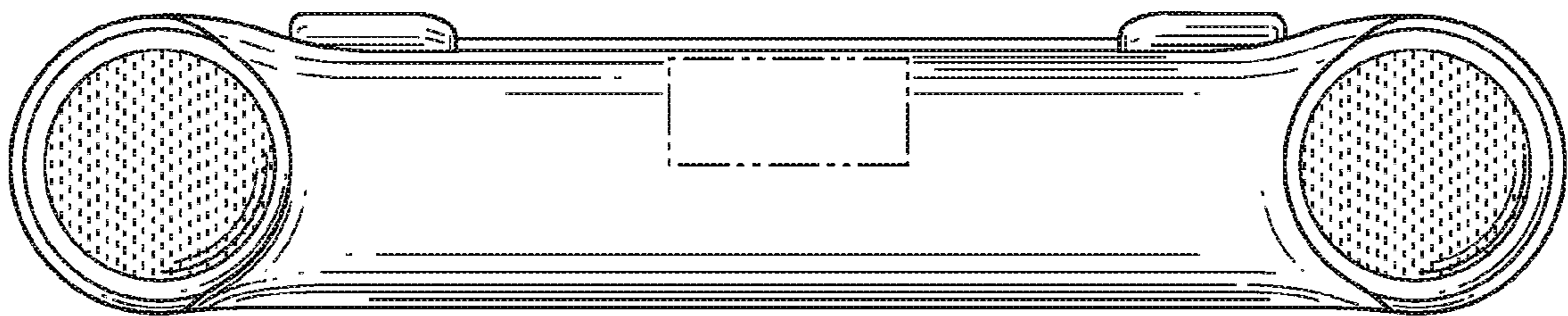


Fig.6

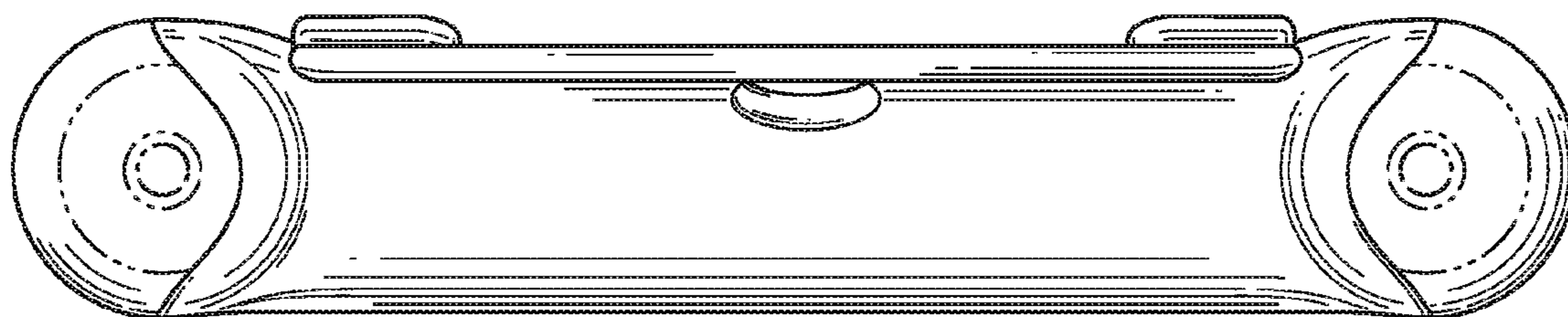


Fig. 7

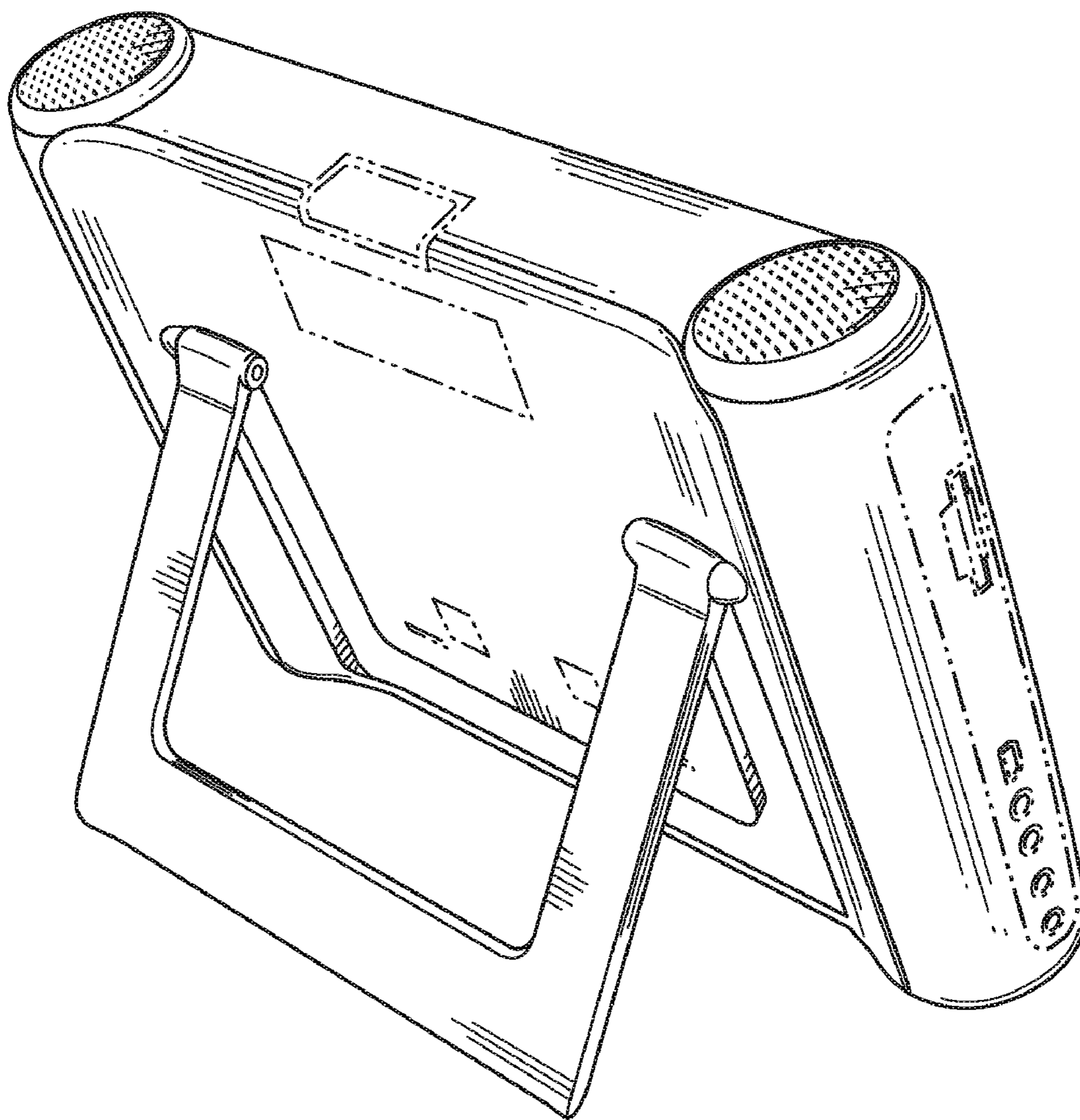


Fig. 8

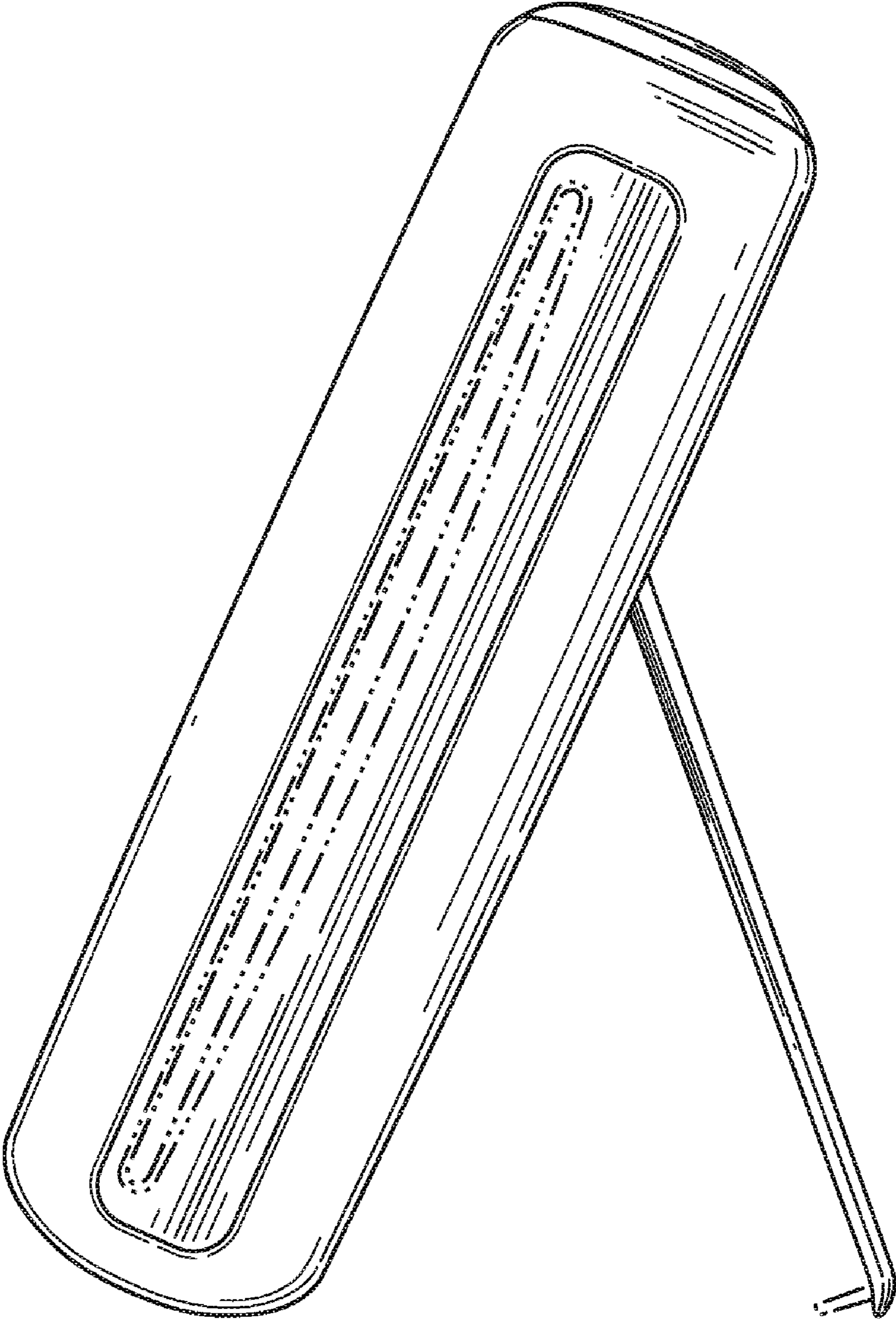


Fig. 9

UNITED STATES PATENT AND TRADEMARK OFFICE
CERTIFICATE OF CORRECTION

PATENT NO. : Des. 574,795 S
APPLICATION NO. : 29/284773
DATED : August 12, 2008
INVENTOR(S) : Paul Ernst Joachim Wlotzka

Page 1 of 1

It is certified that error appears in the above-identified patent and that said Letters Patent is hereby corrected as shown below:

Title Page,

Item (73) Assignee: Change "Harman International Industries, Incorporated" to

--Harman Becker Automotive Systems GmbH--

Signed and Sealed this

Second Day of December, 2008

A handwritten signature in black ink that reads "Jon W. Dudas". The signature is written in a cursive style with a large, looped initial "J".

JON W. DUDAS

Director of the United States Patent and Trademark Office