



US00D574794S

(12) **United States Design Patent**  
**Lin**

(10) **Patent No.:** **US D574,794 S**  
(45) **Date of Patent:** **\*\* Aug. 12, 2008**

(54) **TELEVISION SET**

D531,600 S \* 11/2006 Nakata ..... D14/126  
D558,161 S \* 12/2007 Chu ..... D14/126

(75) Inventor: **Roger Lin**, Taipei (TW)

(73) Assignee: **Hannspree, Inc.**, Taiwan (CN)

(\*\*) Term: **14 Years**

\* cited by examiner

(21) Appl. No.: **29/287,766**

*Primary Examiner*—Raphael Barkai

(22) Filed: **Sep. 17, 2007**

(74) *Attorney, Agent, or Firm*—Birch, Stewart, Kolasch & Birch, LLP

(30) **Foreign Application Priority Data**

(57) **CLAIM**

Jul. 16, 2007 (TW) ..... 96303921

The ornamental design for a television set, as shown and described.

(51) **LOC (8) Cl.** ..... **14-03**

(52) **U.S. Cl.** ..... **D14/126**

(58) **Field of Classification Search** ..... D14/125–134,  
D14/239, 371, 136, 374–377, 440, 450, 448,  
D14/336, 342; 312/7.2; 348/836, 838, 180,  
348/184, 325, 739; 341/12; 248/917–924,  
248/465; 345/104, 133, 156, 168, 87, 173;  
720/605, 669, 600, 655; 369/99, 197; 455/344,  
455/347; D21/329, 515, 577, 622, 333, 433,  
D21/448, 452, 450, 331; D6/477, 479; 273/148 B;  
446/484, 175, 356; D10/15, 26

**DESCRIPTION**

See application file for complete search history.

FIG. 1. is a perspective view thereof;

FIG. 2. is a front elevational view thereof;

FIG. 3. is a rear elevational view thereof;

FIG. 4. is a left side elevational view thereof;

FIG. 5. is a right side elevational view thereof;

FIG. 6. is a top plan view thereof; and,

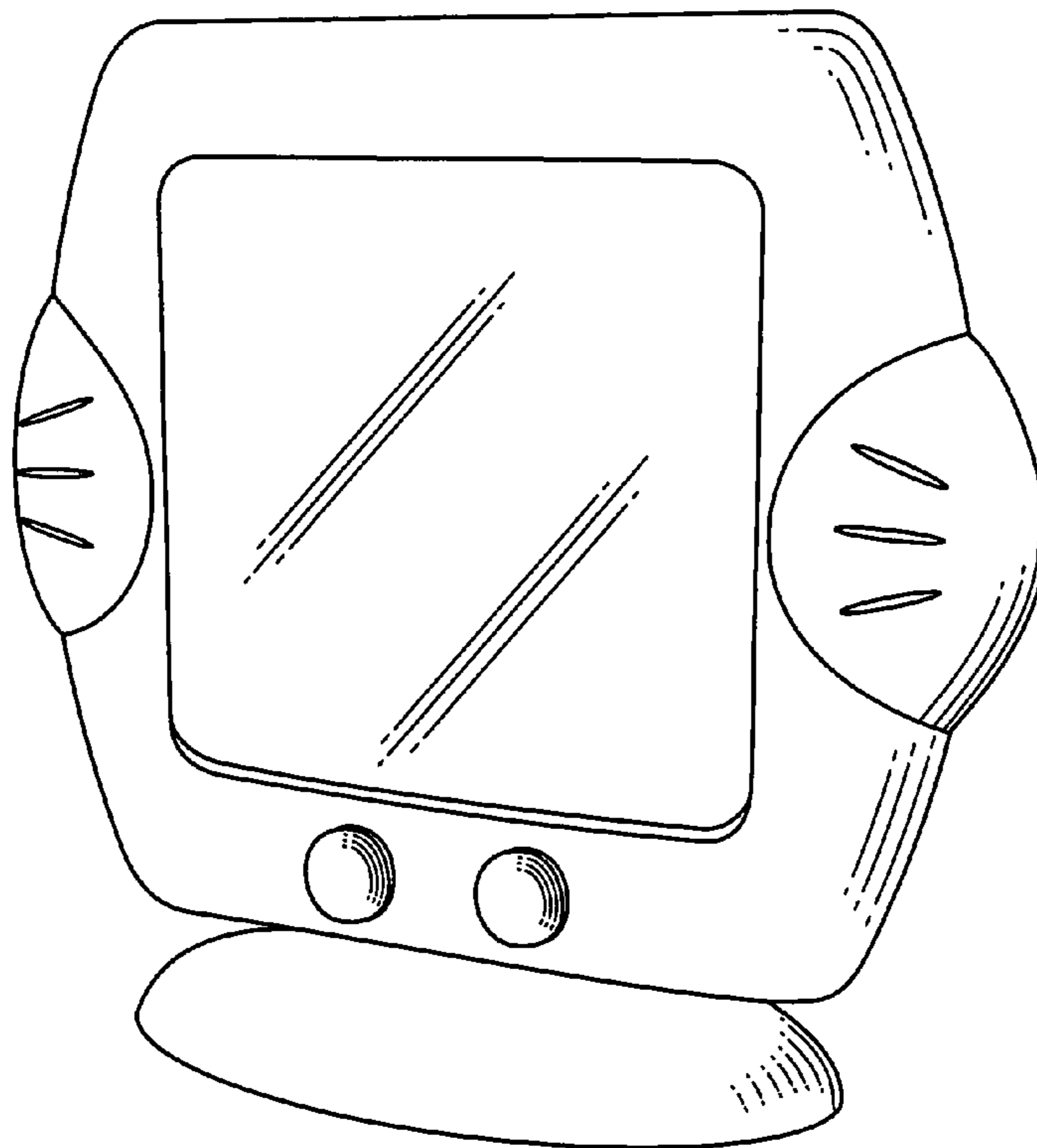
FIG. 7. is a bottom plan view thereof.

(56) **References Cited**

**U.S. PATENT DOCUMENTS**

D525,952 S \* 8/2006 Lin ..... D14/129

**1 Claim, 7 Drawing Sheets**



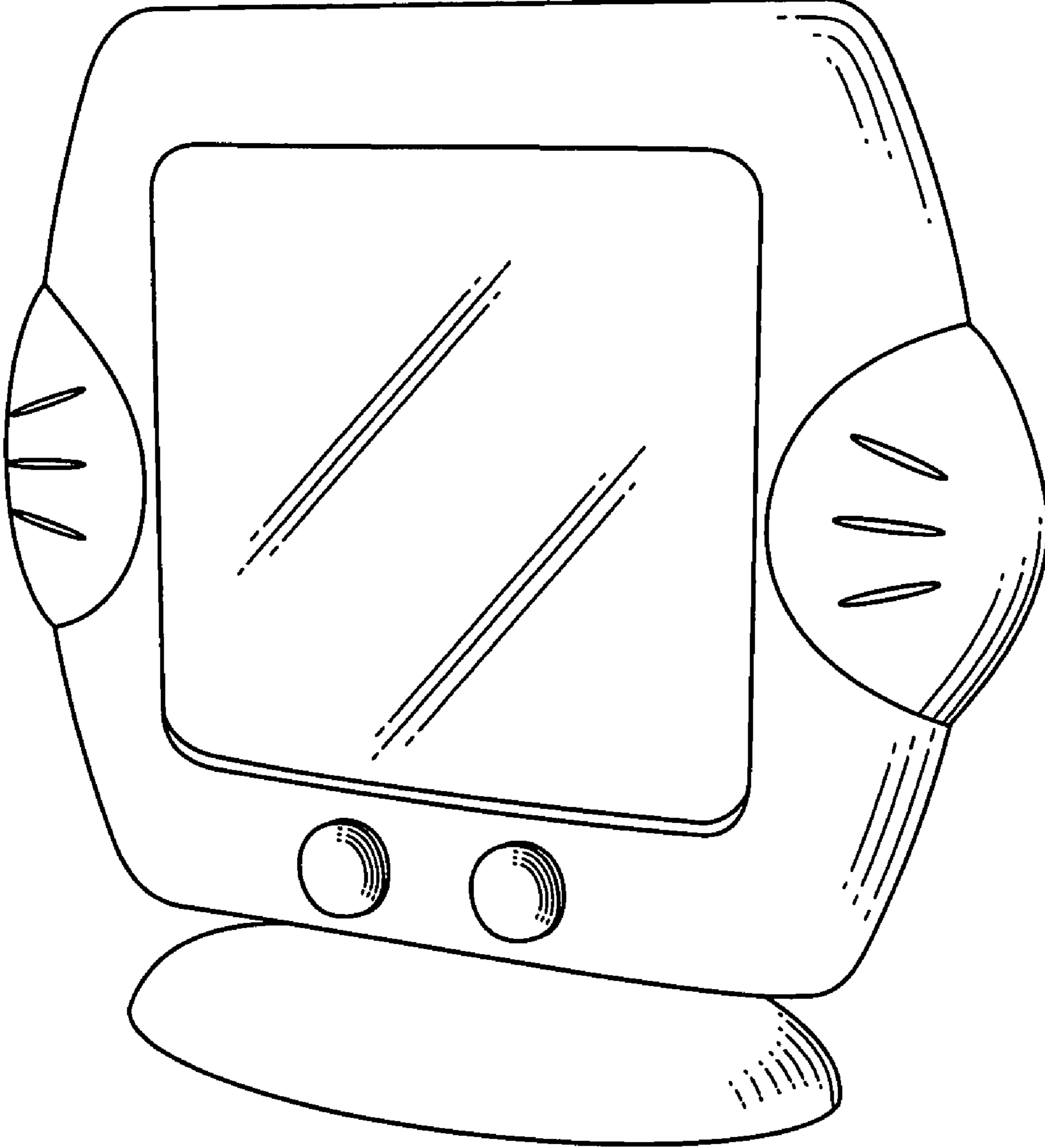


FIG. 1

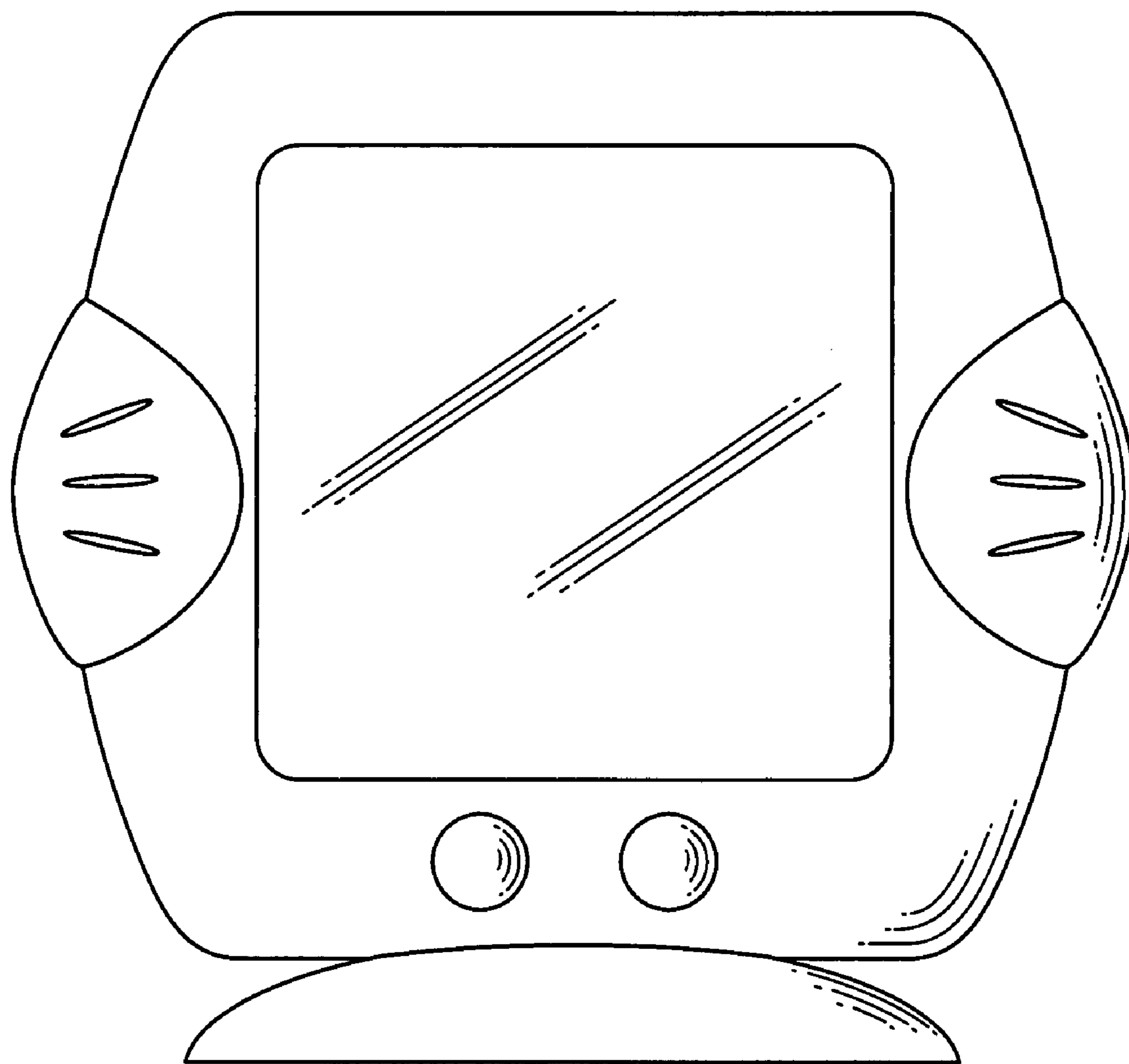


FIG. 2

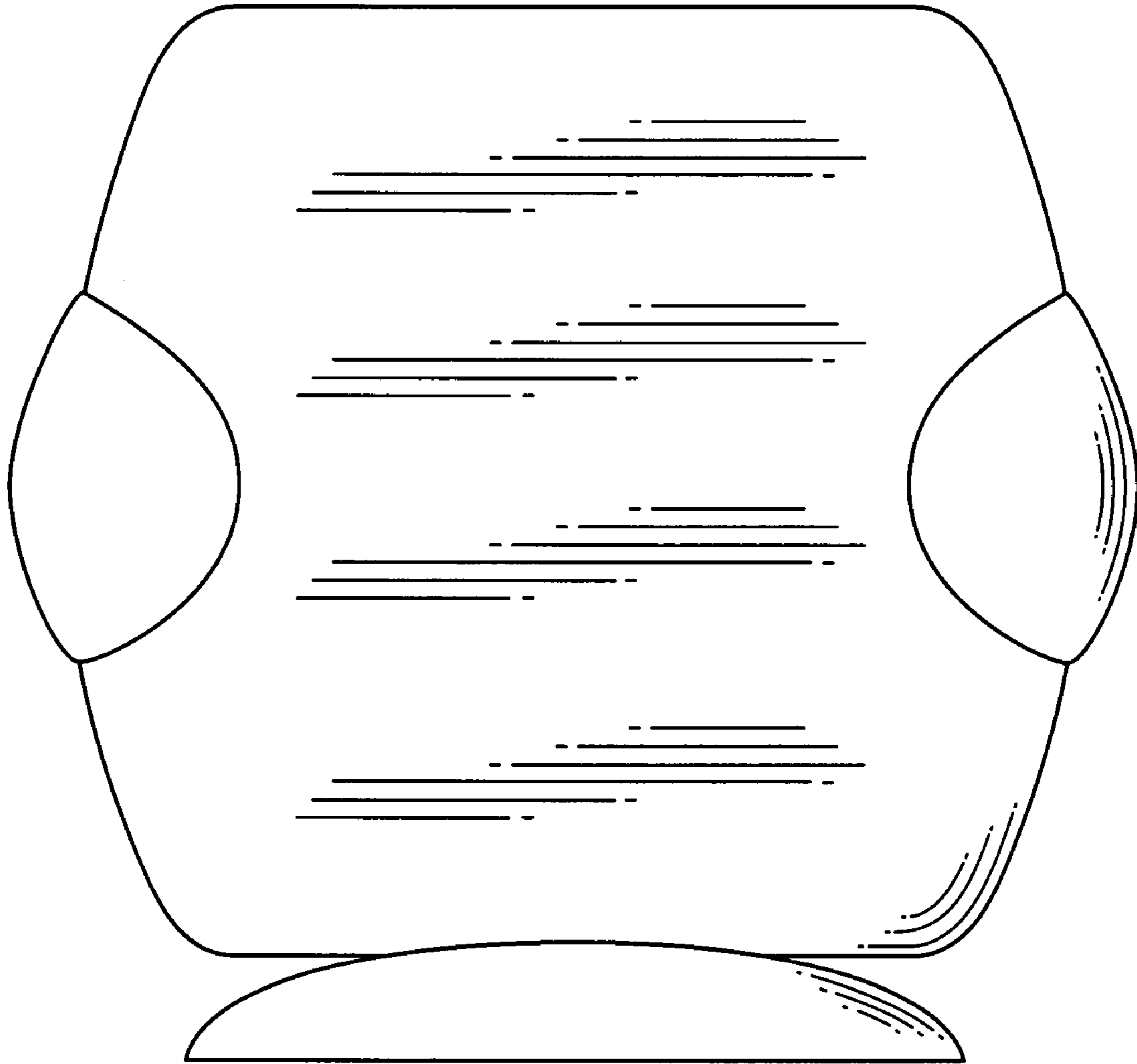


FIG. 3

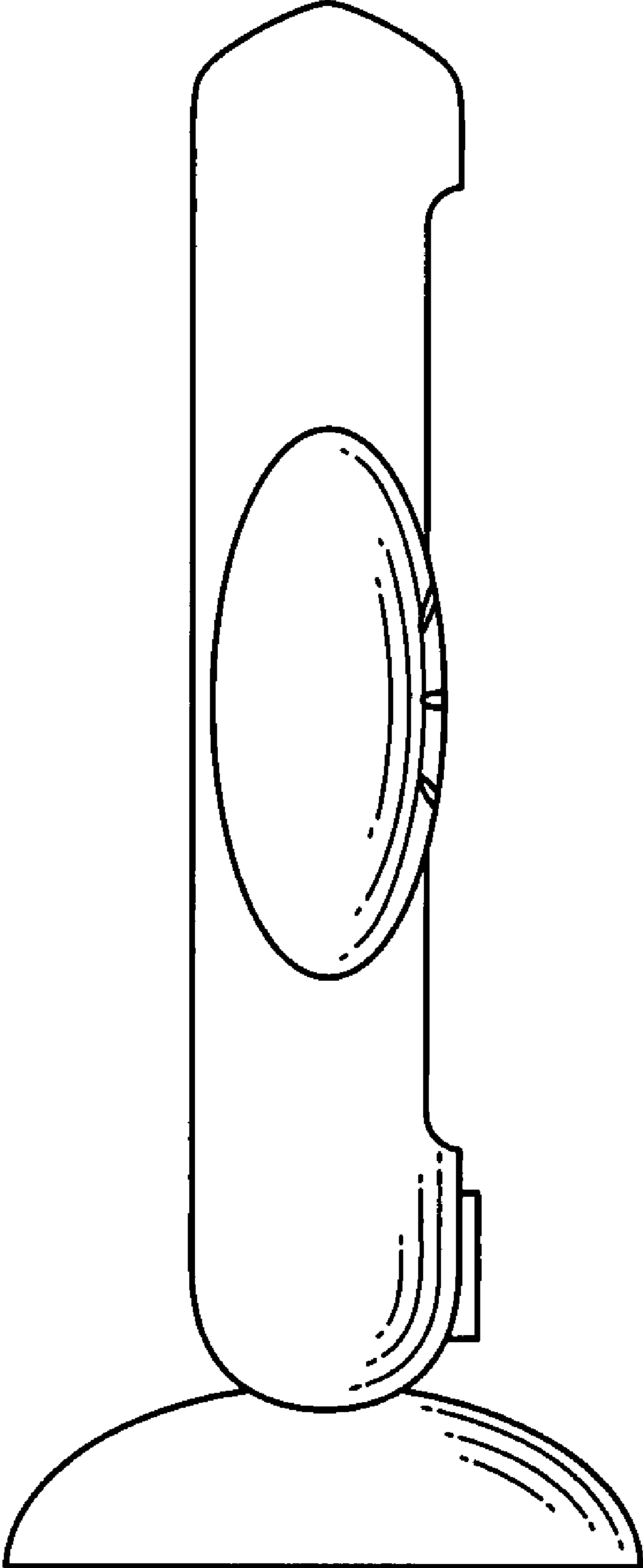
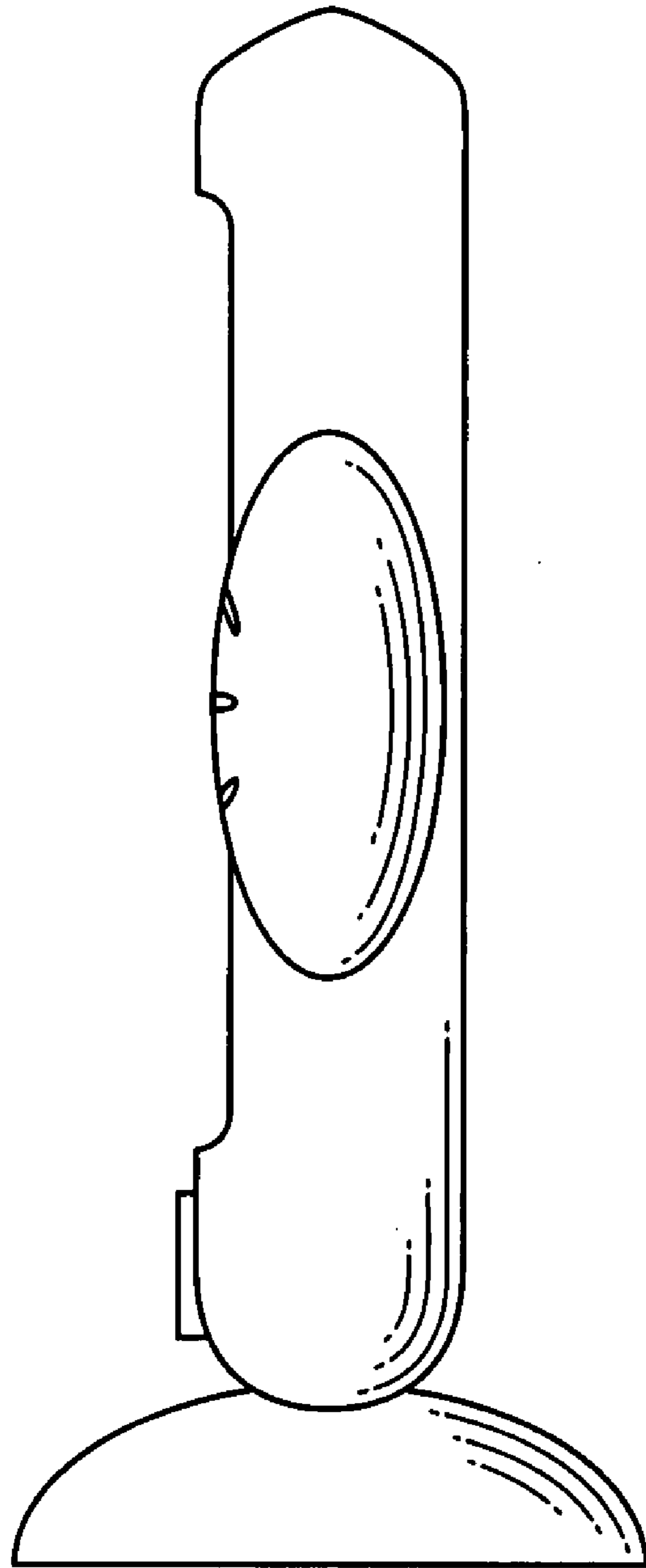


FIG. 4



**FIG. 5**

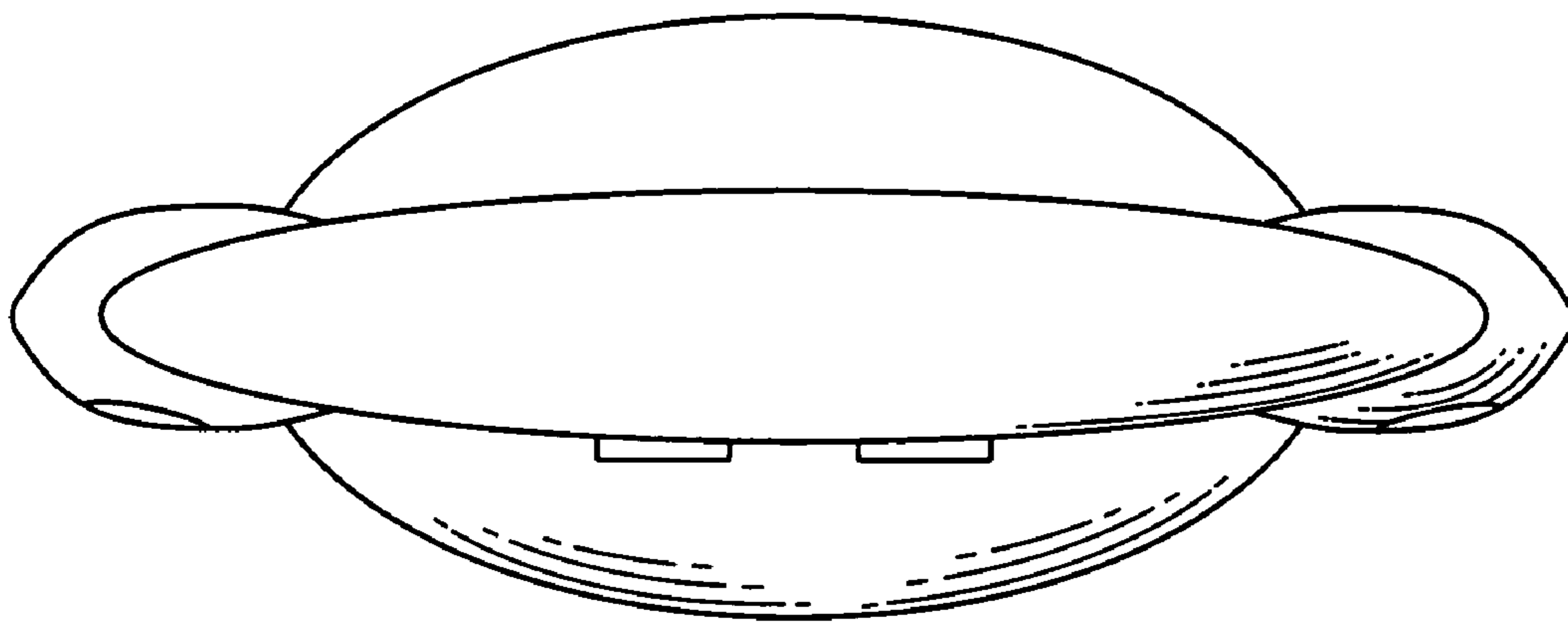


FIG. 6

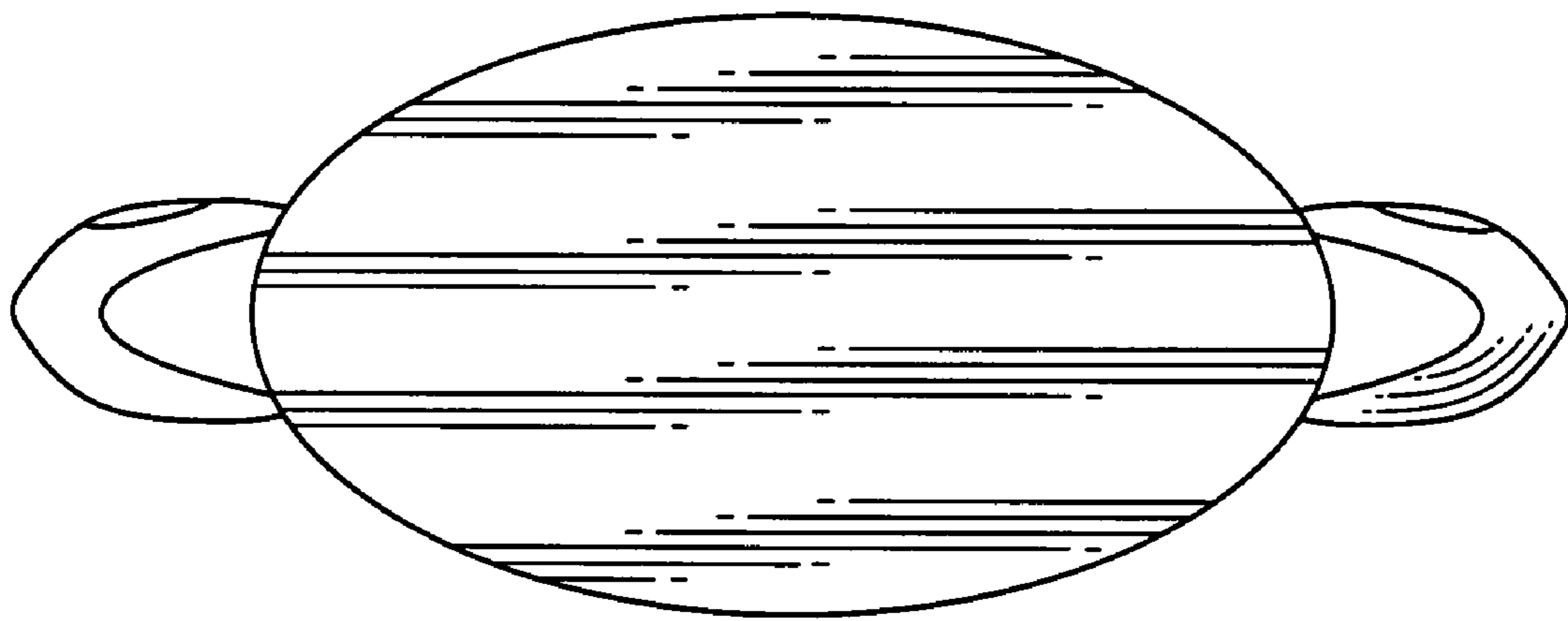


FIG. 7