



US00D574791S

(12) **United States Design Patent**
Shimozawa

(10) **Patent No.:** **US D574,791 S**
(45) **Date of Patent:** **** Aug. 12, 2008**

(54) **LIGHT-EMITTING DIODE**

(75) Inventor: **Arata Shimozawa**, Yamanashi (JP)

(73) Assignee: **Citizen Electronics Co., Ltd.**,
Yamanashi (JP)

(**) Term: **14 Years**

(21) Appl. No.: **29/267,217**

(22) Filed: **Oct. 10, 2006**

(30) **Foreign Application Priority Data**

Apr. 10, 2006	(JP)	2006-009232
Apr. 10, 2006	(JP)	2006-009241
Apr. 10, 2006	(JP)	2006-009242

(51) **LOC (8) Cl.** **13-03**

(52) **U.S. Cl.** **D13/180**

(58) **Field of Classification Search** D13/180;
D26/2; 257/79, 80, 81, 88, 89, 95, 98, 99,
257/100; 313/483, 498, 500; 362/555, 800
See application file for complete search history.

(56) **References Cited**

U.S. PATENT DOCUMENTS

D476,960 S 7/2003 Fukasawa et al.

(Continued)

FOREIGN PATENT DOCUMENTS

TW 555458 9/2003

(Continued)

Primary Examiner—Selina Sikder

(74) *Attorney, Agent, or Firm*—Browdy and Neimark, PLLC

(57) **CLAIM**

The ornamental design for a light-emitting diode, as shown and described.

DESCRIPTION

FIG. 1 is a perspective view of a light-emitting diode in a first embodiment in accordance with the present design, as viewed from above;

FIG. 2 is a perspective view thereof as viewed from below;

FIG. 3 is a front elevational view thereof (a rear elevational view is identical to FIG. 3);

FIG. 4 is a right side elevational view thereof (a left side elevational view is identical to FIG. 4);

FIG. 5 is a top plan view thereof;

FIG. 6 is a bottom plan view thereof;

FIG. 7 is a sectional view taken along the 7—7 line in FIG. 5;

FIG. 8 is a perspective view of a light-emitting diode in a second embodiment in accordance with the present design, as viewed from above;

FIG. 9 is a perspective view thereof as viewed from below;

FIG. 10 is a front elevational view thereof (a rear elevational view is identical to FIG. 10);

FIG. 11 is a right side elevational view thereof (a left side elevational view is identical to FIG. 11);

FIG. 12 is a top plan view thereof;

FIG. 13 is a bottom plan view thereof;

FIG. 14 is a sectional view taken along the 14—14 line in FIG. 12;

FIG. 15 is a perspective view of a light-emitting diode in a third embodiment in accordance with the present design, as viewed from above;

FIG. 16 is a perspective view thereof as viewed from below;

FIG. 17 is a front elevational view thereof (a rear elevational view is identical to FIG. 17);

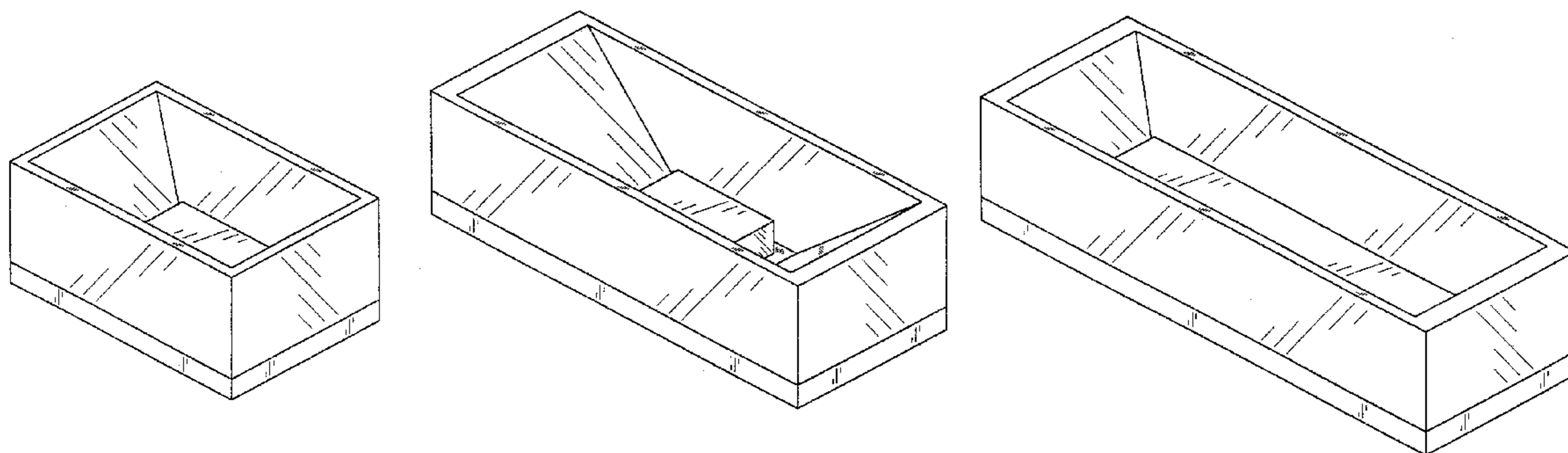
FIG. 18 is a right side elevational view thereof (a left side elevational view is identical to FIG. 18);

FIG. 19 is a top plan view thereof;

FIG. 20 is a bottom plan view thereof; and,

FIG. 21 is a sectional view taken along the 21—21 line in FIG. 19.

1 Claim, 9 Drawing Sheets



US D574,791 S

Page 2

U.S. PATENT DOCUMENTS

2004/0046179 A1* 3/2004 Baur et al. 257/98
2006/0163602 A1* 7/2006 Isokawa et al. 257/100
2006/0198162 A1* 9/2006 Ishidu et al. 362/623
2006/0220205 A1* 10/2006 Hongo et al. 257/680

FOREIGN PATENT DOCUMENTS

TW 95305429 6/2007
TW 95305431 6/2007
TW 95305514 6/2007

* cited by examiner

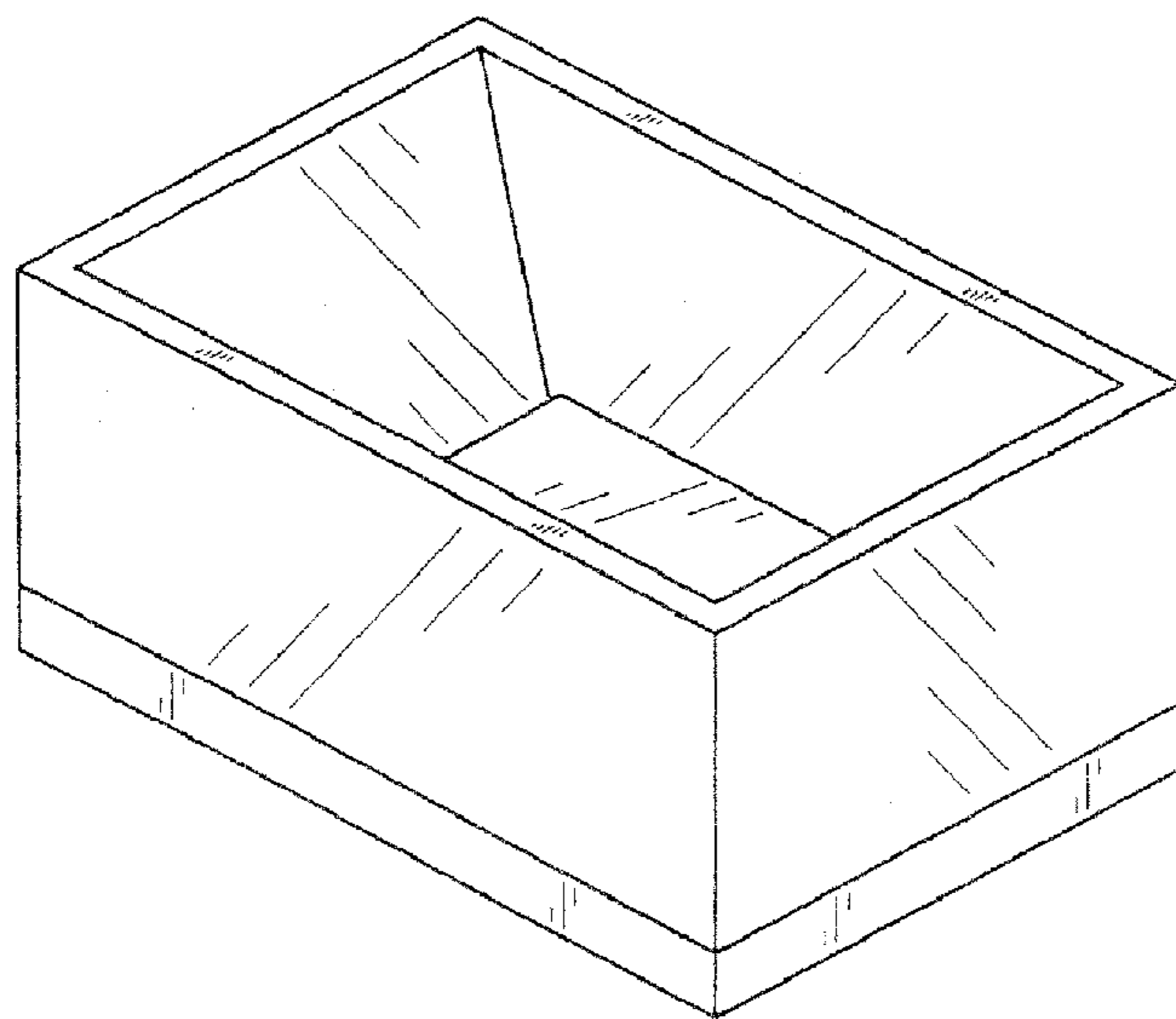


FIG. 1

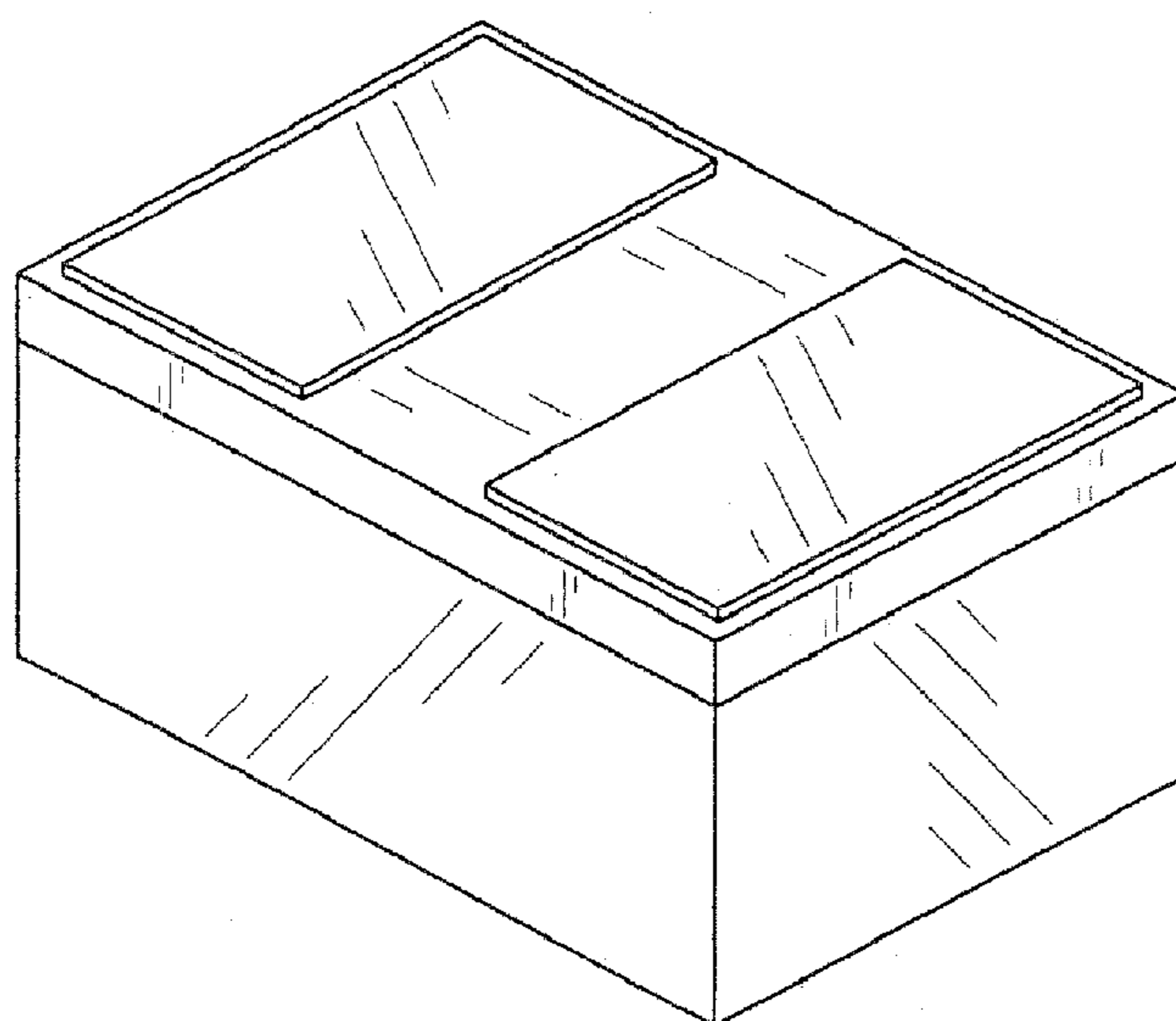


FIG. 2

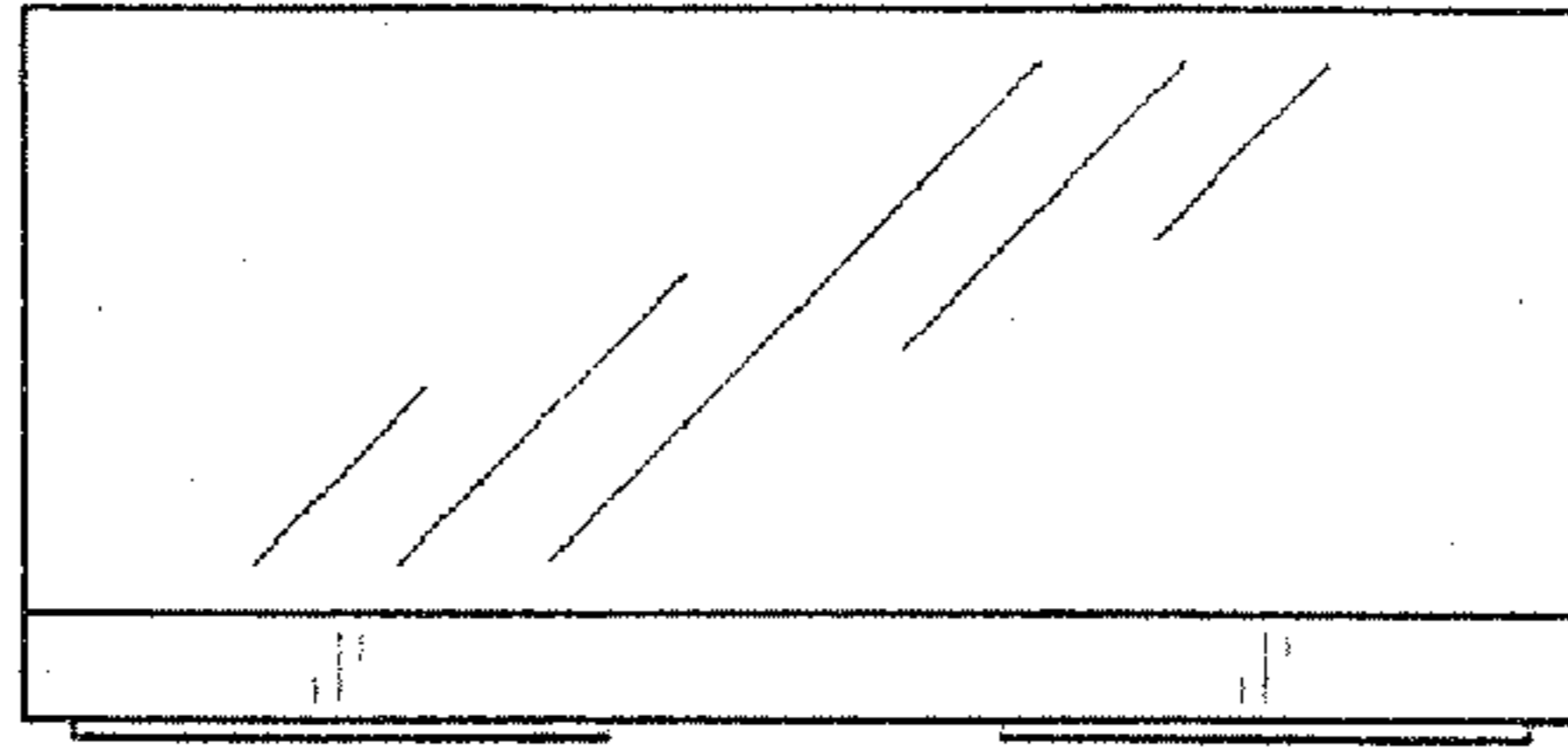


FIG. 3

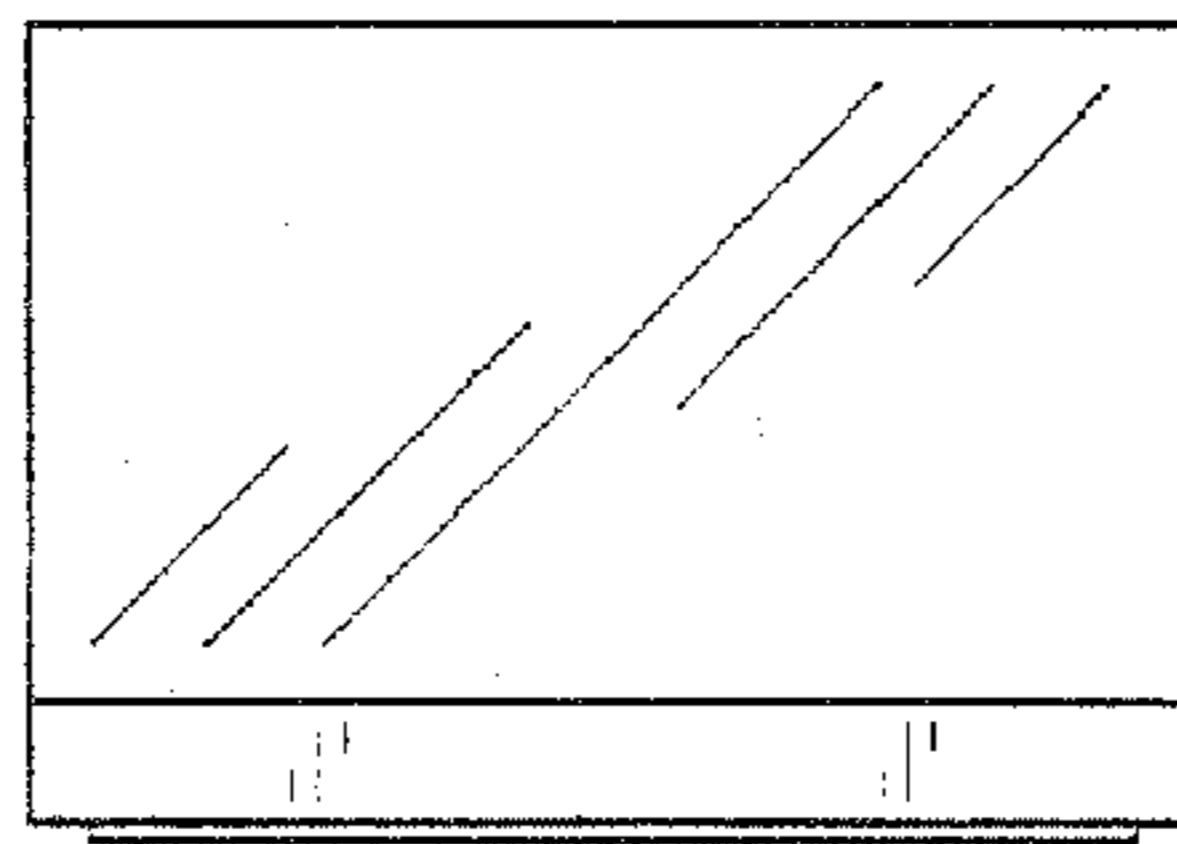


FIG. 4

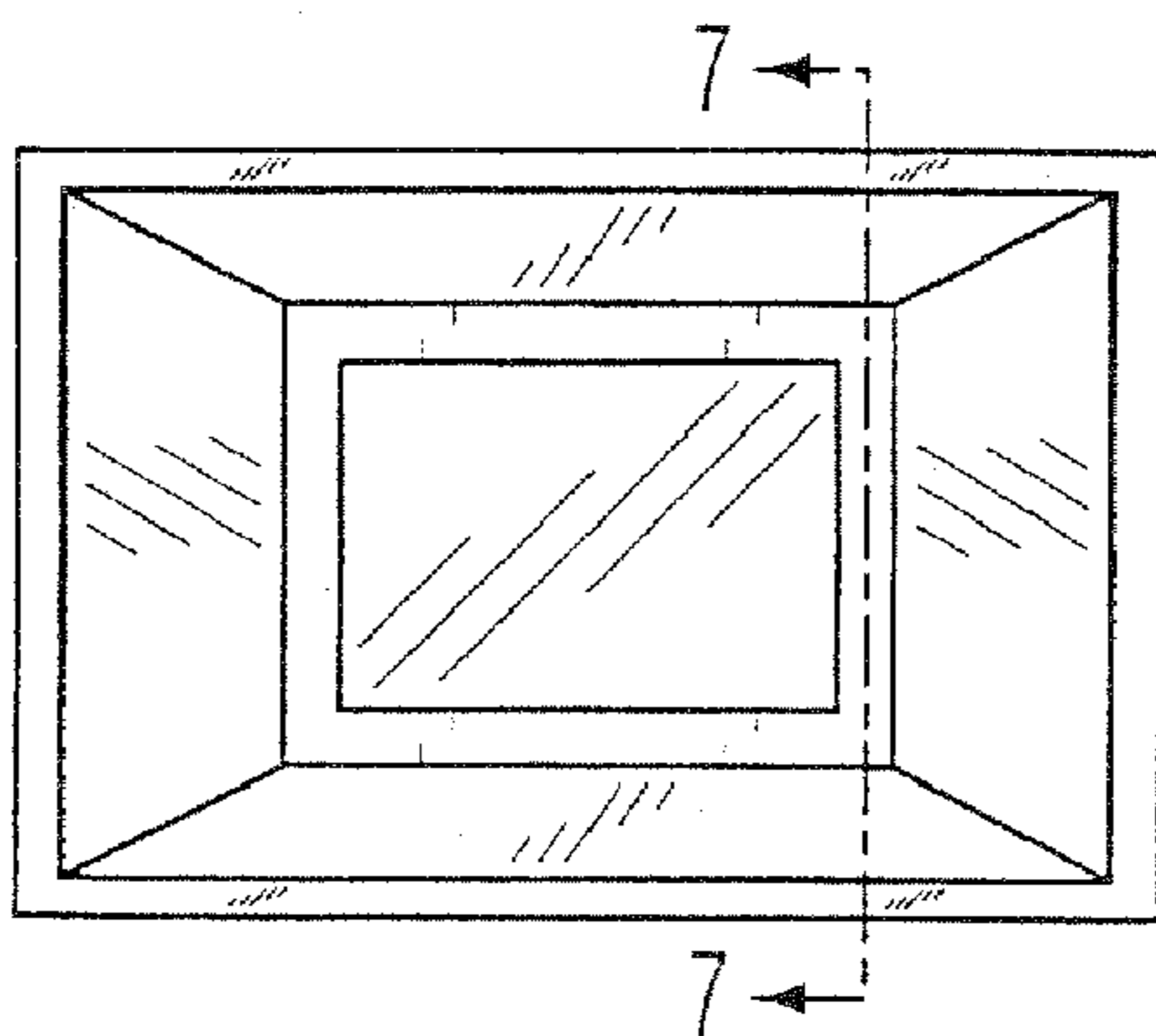


FIG. 5

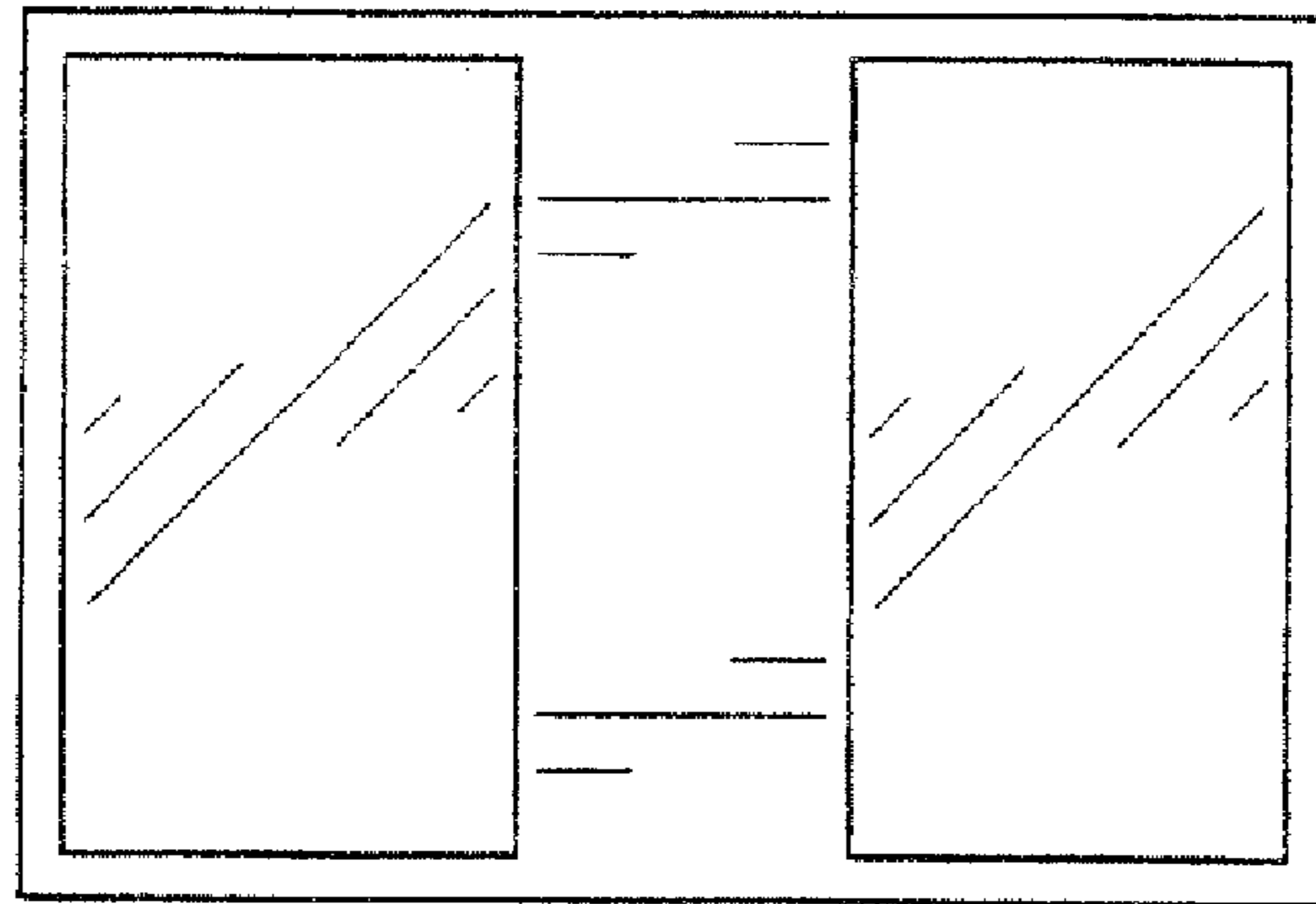


FIG. 6

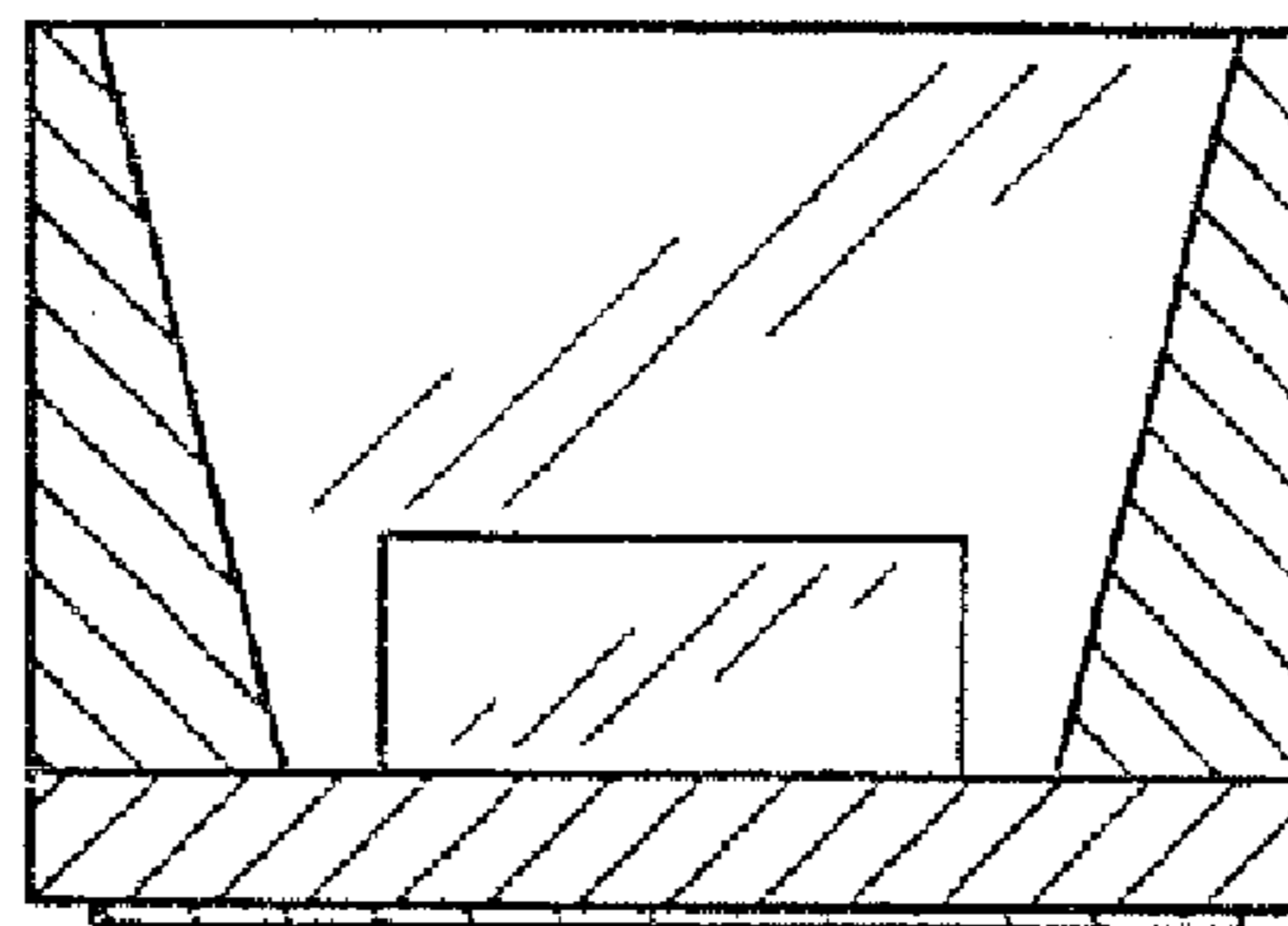


FIG. 7

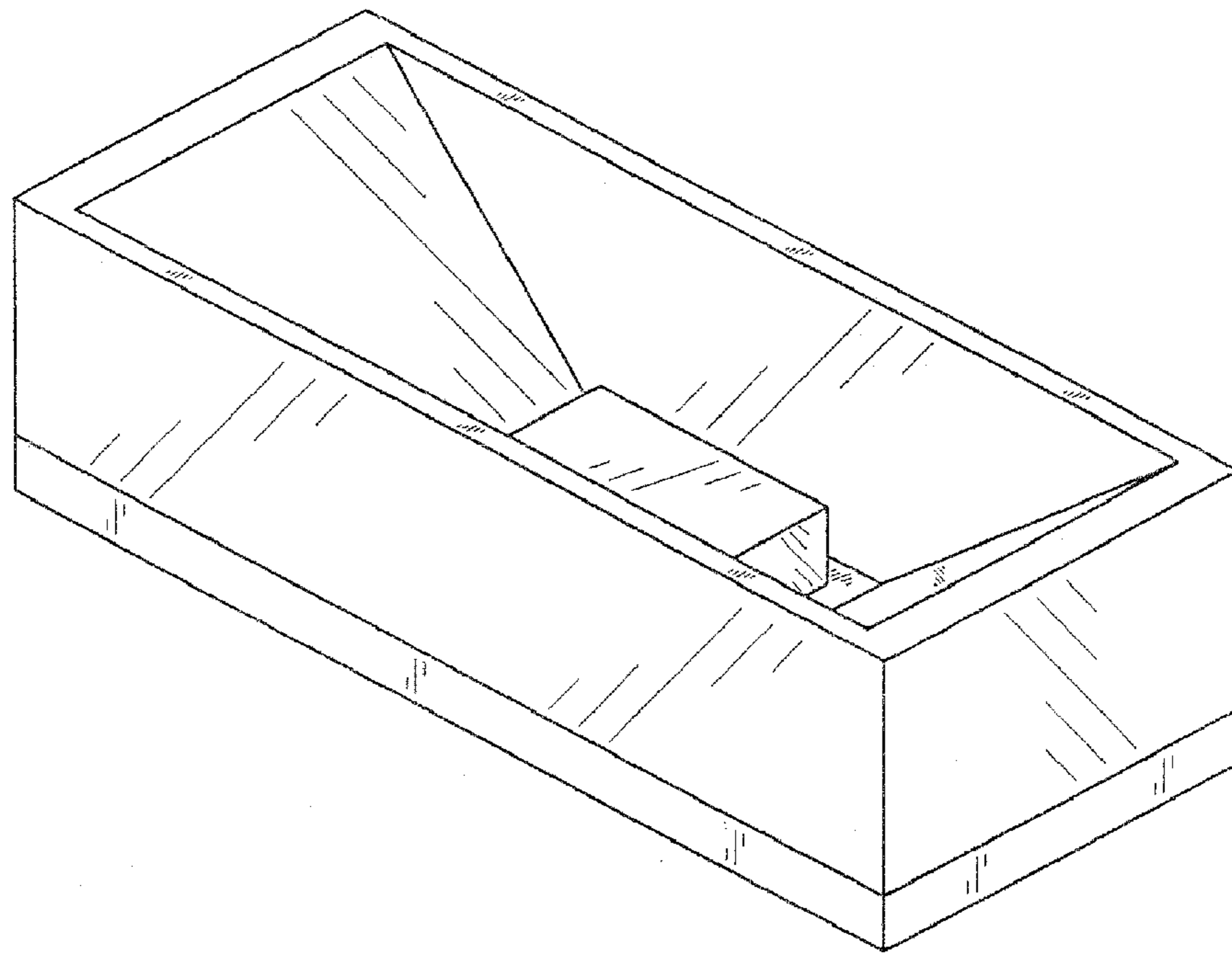


FIG. 8

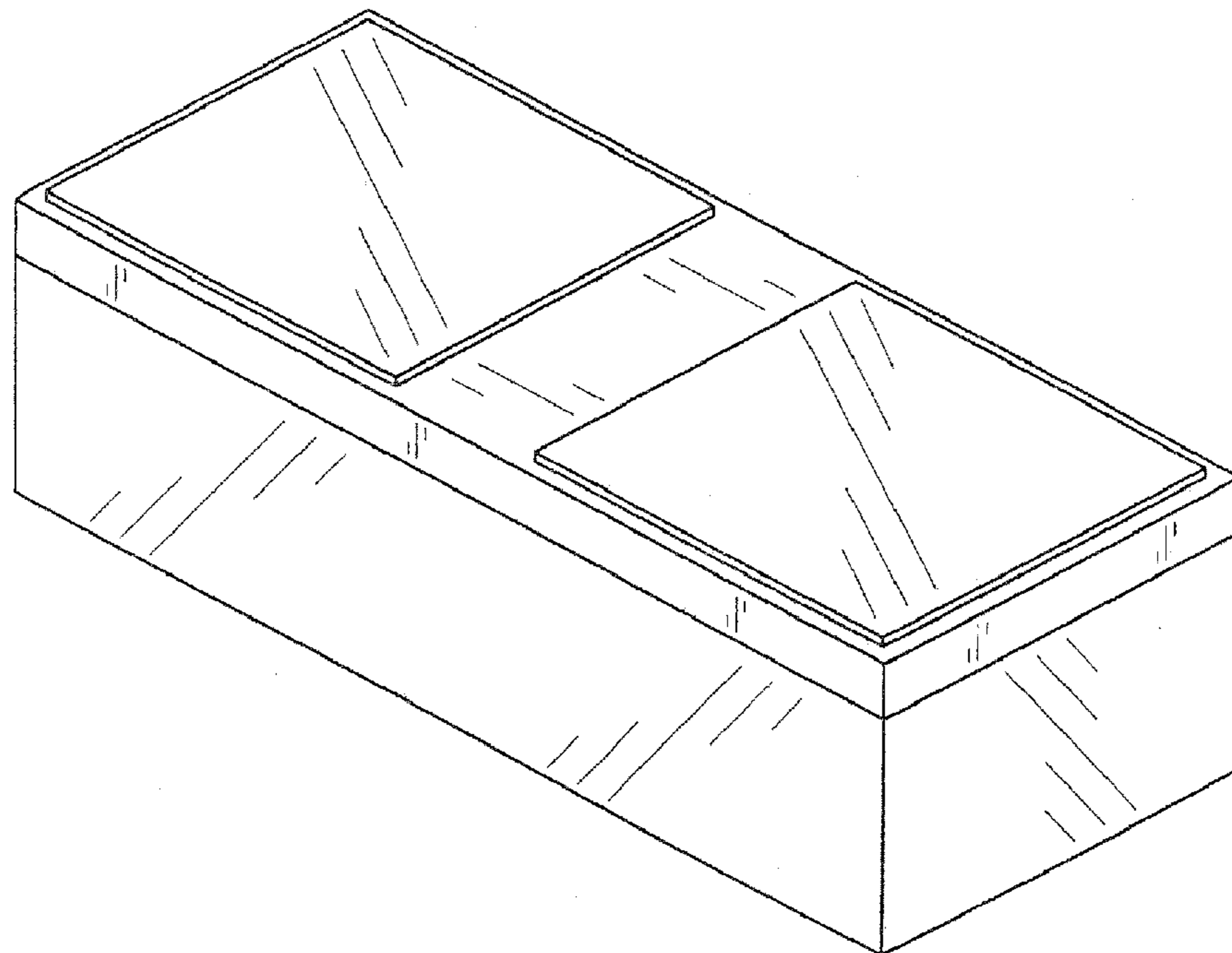


FIG. 9

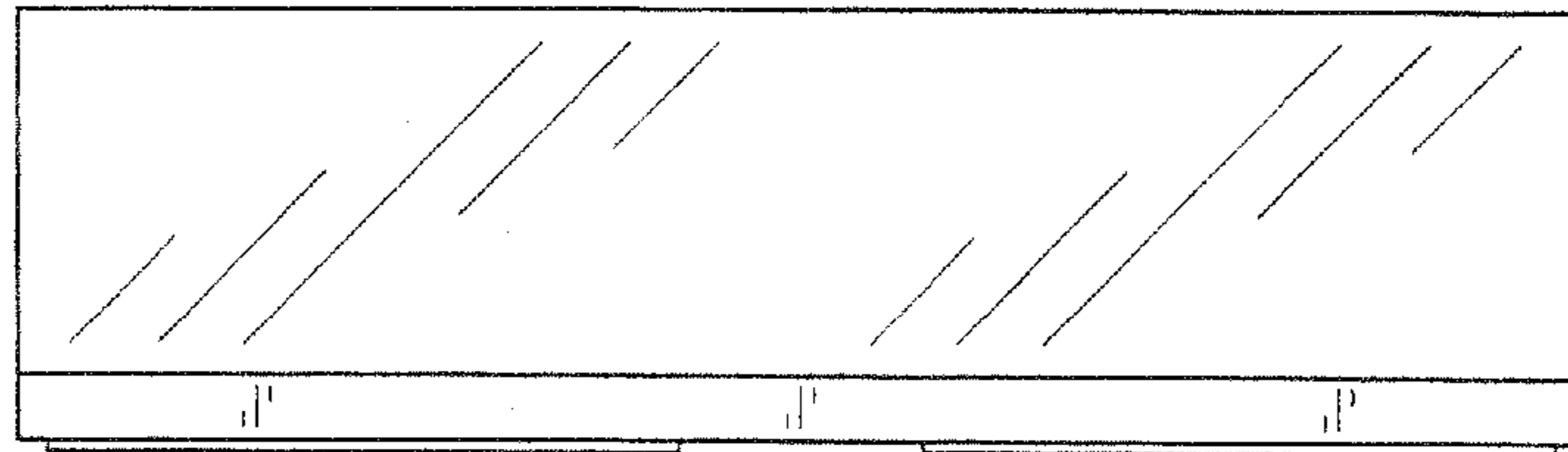


FIG. 10

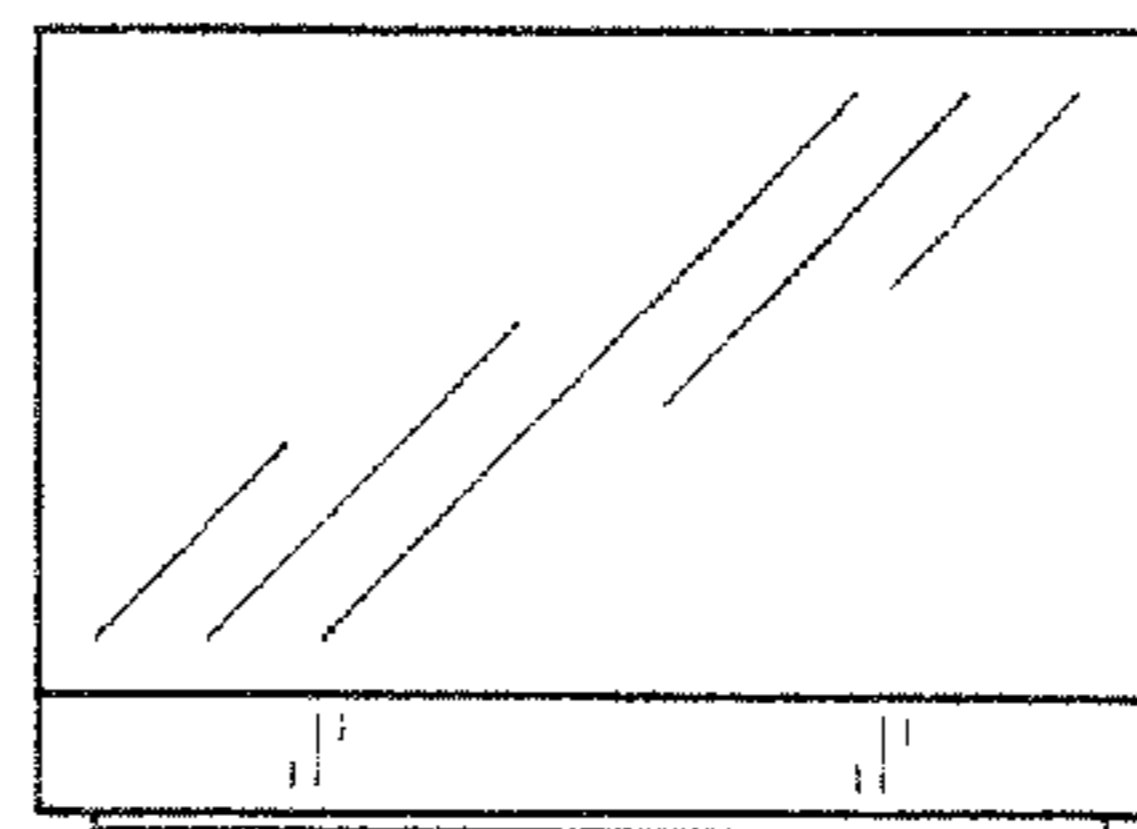


FIG. 11

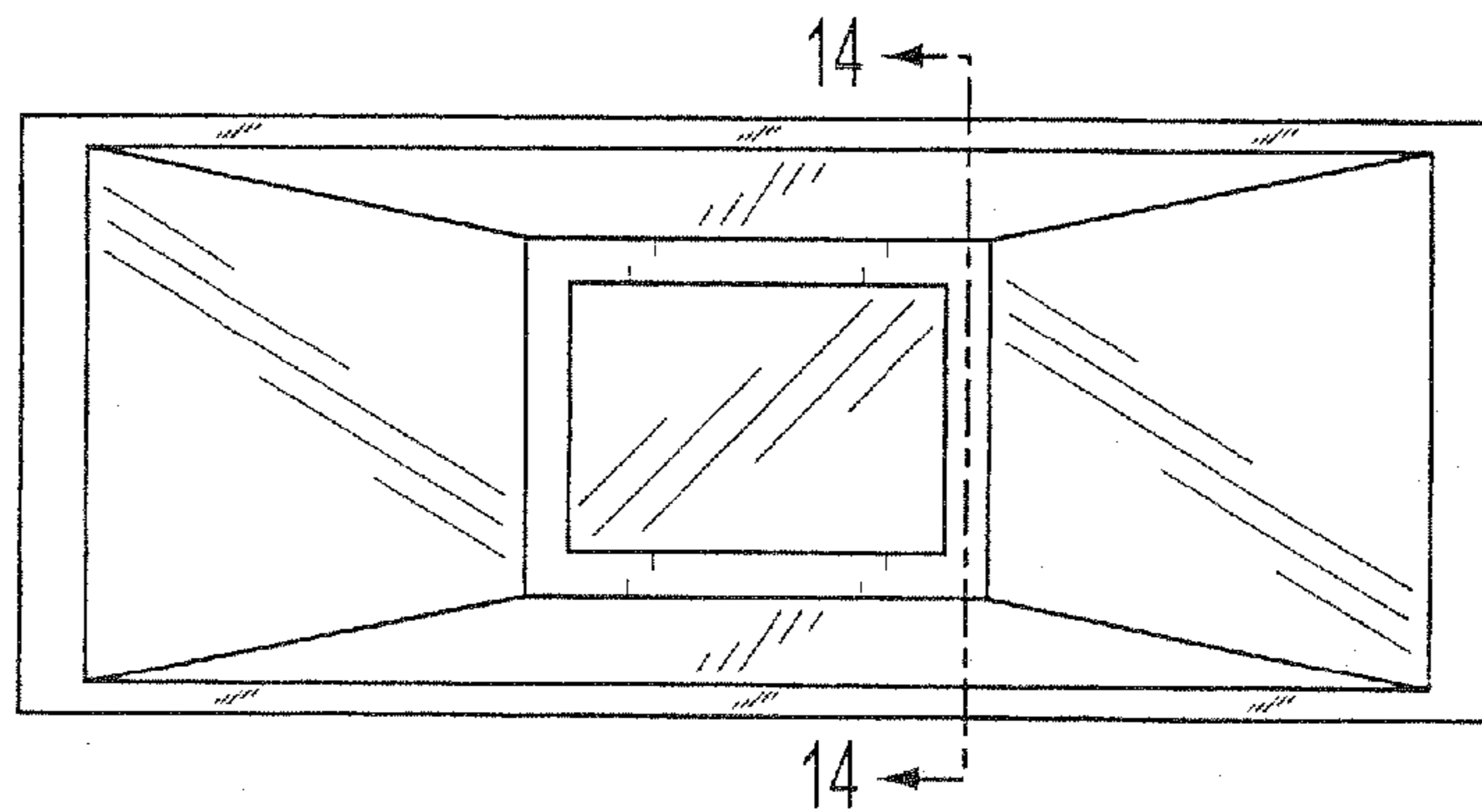


FIG. 12

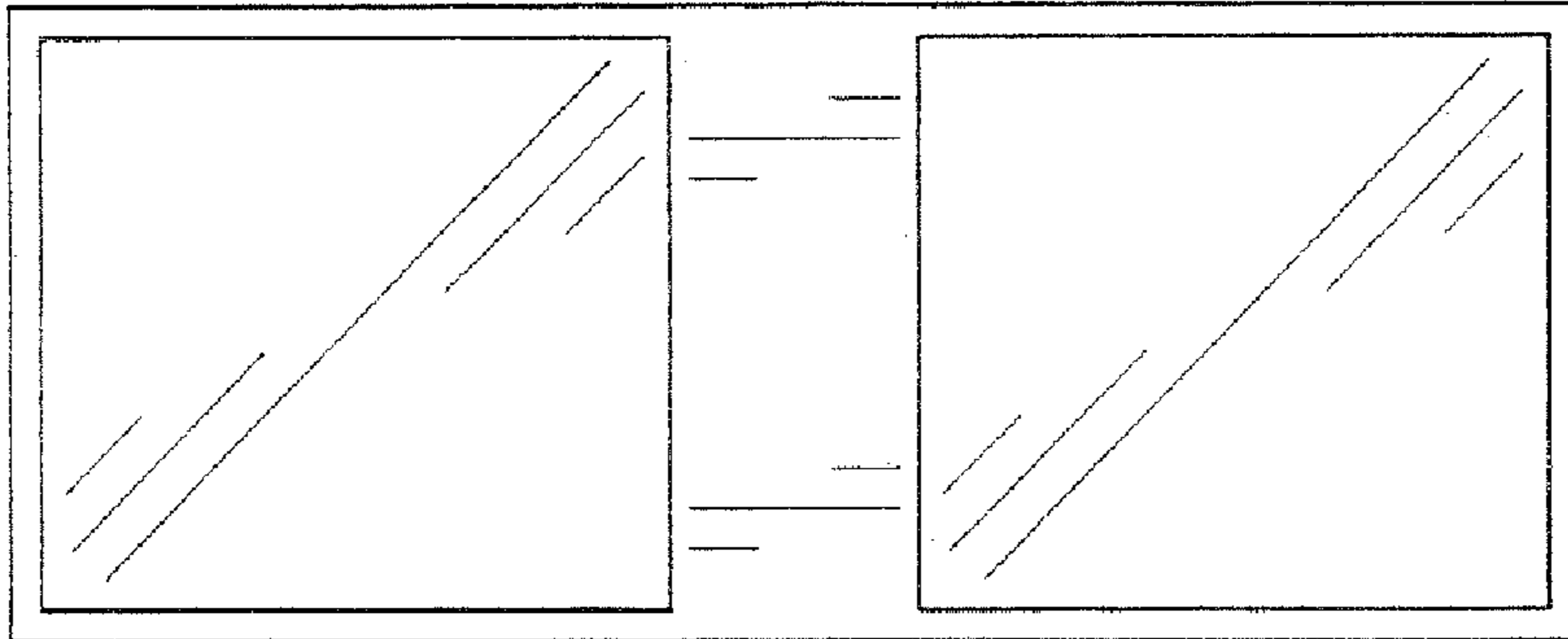


FIG. 13

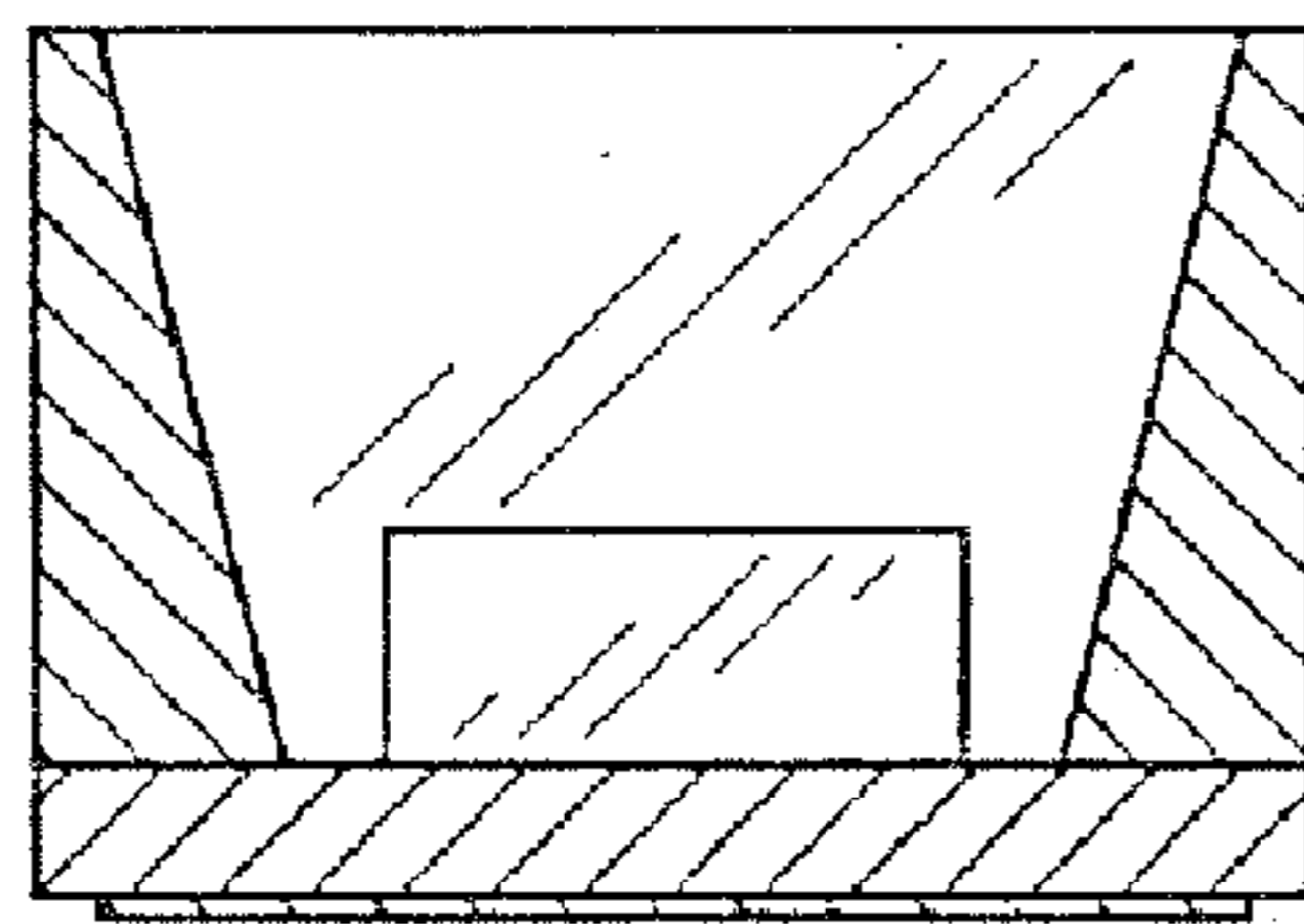


FIG. 14

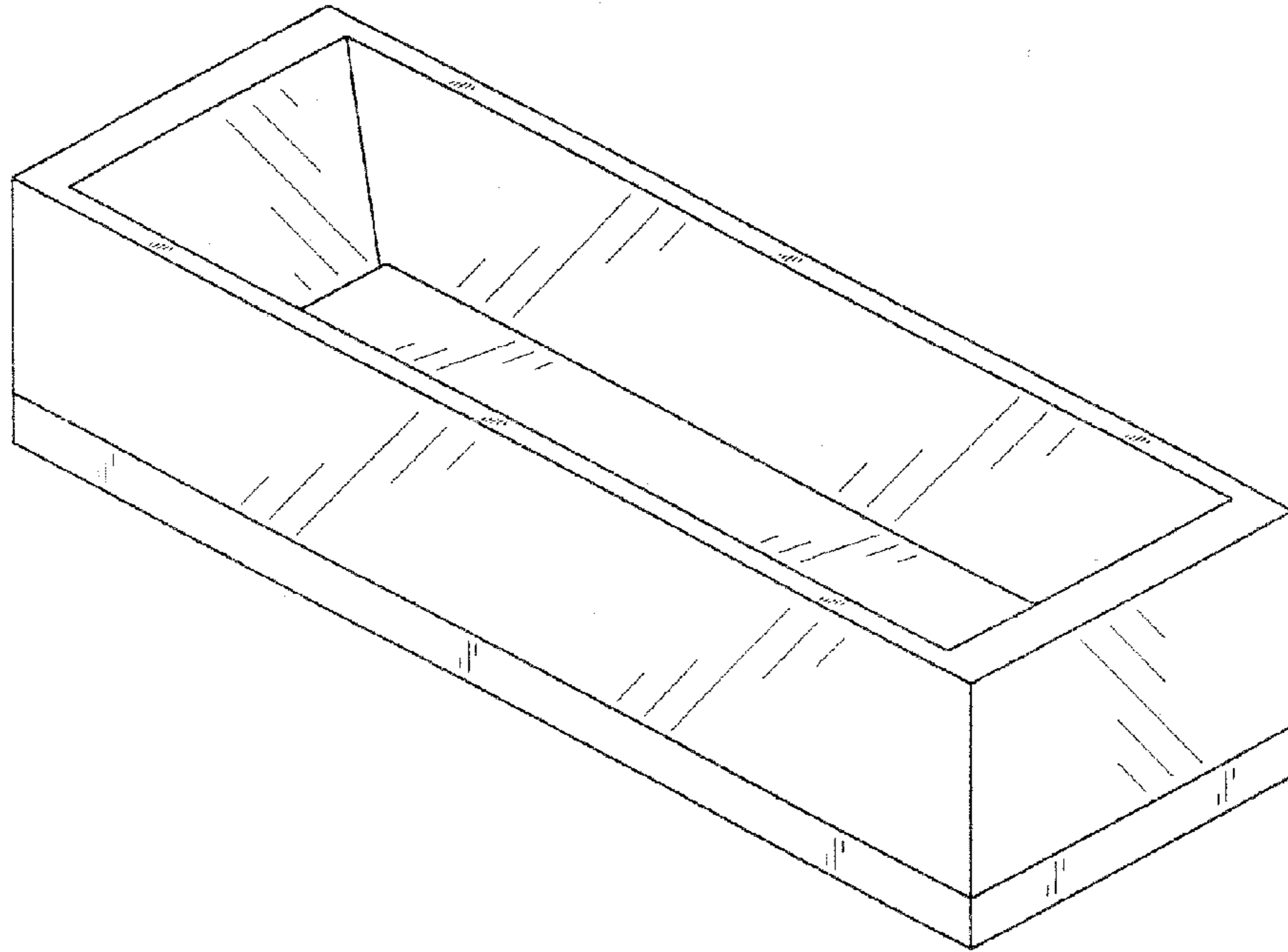


FIG. 15

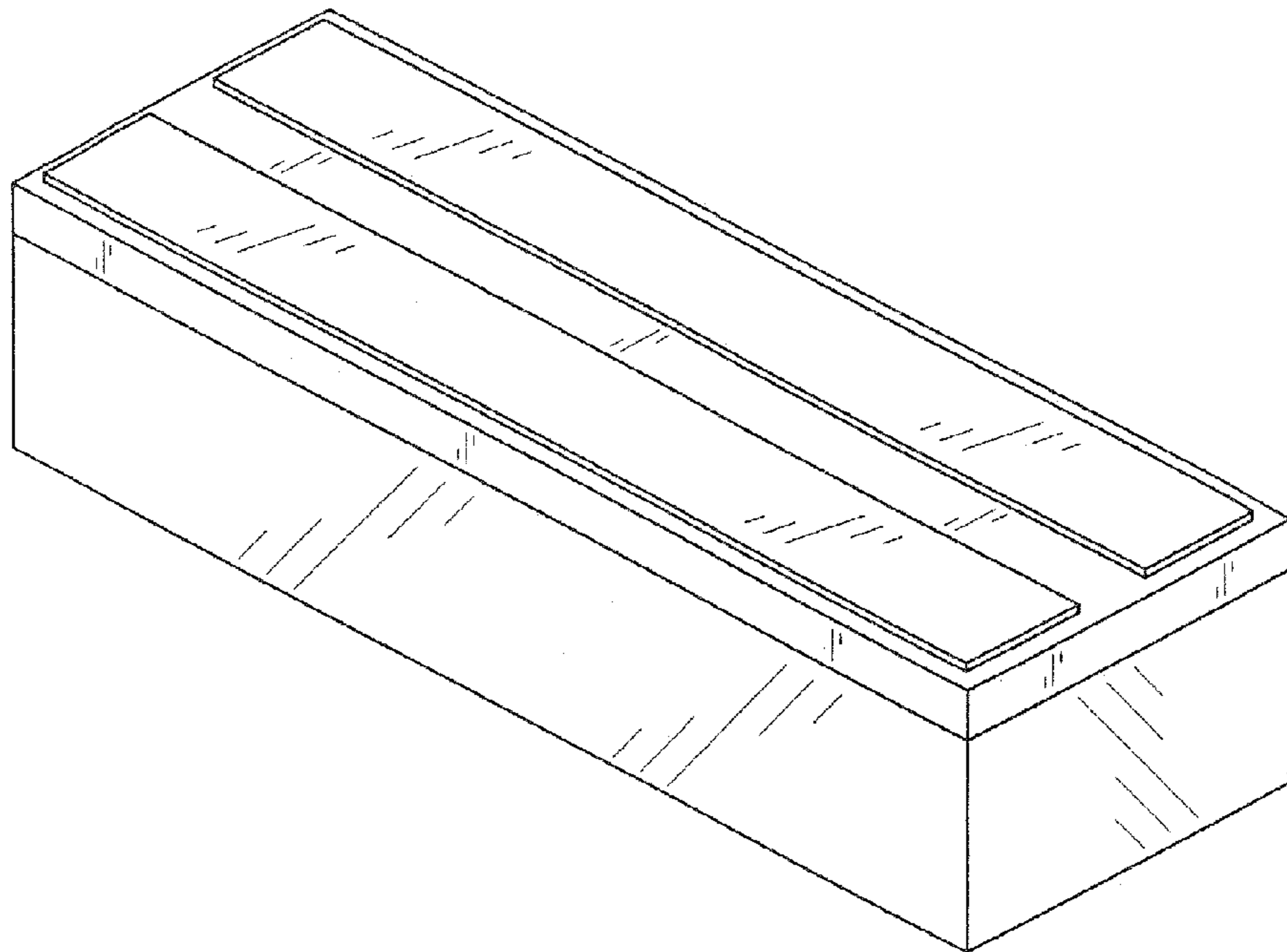


FIG. 16

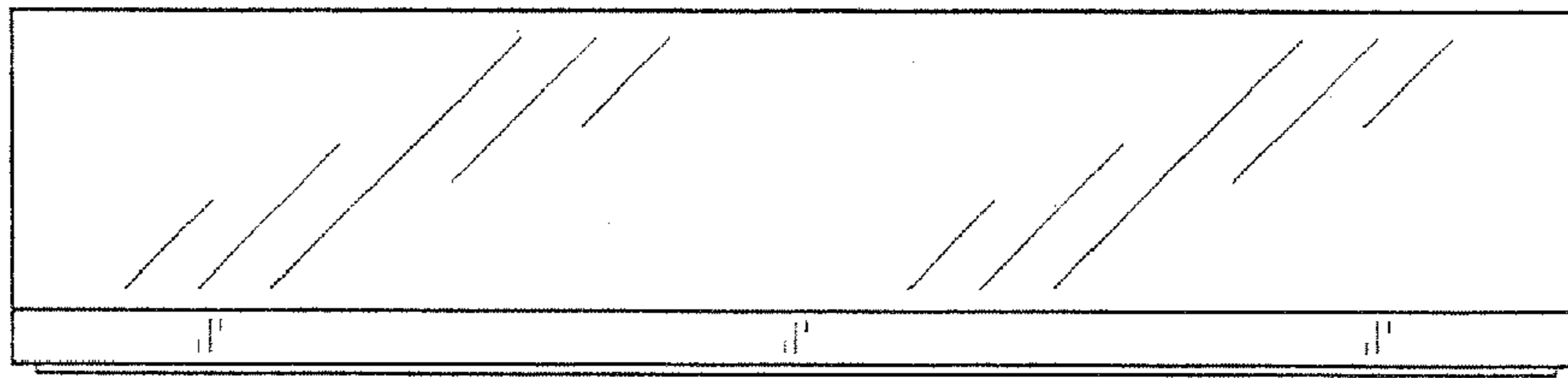


FIG. 17

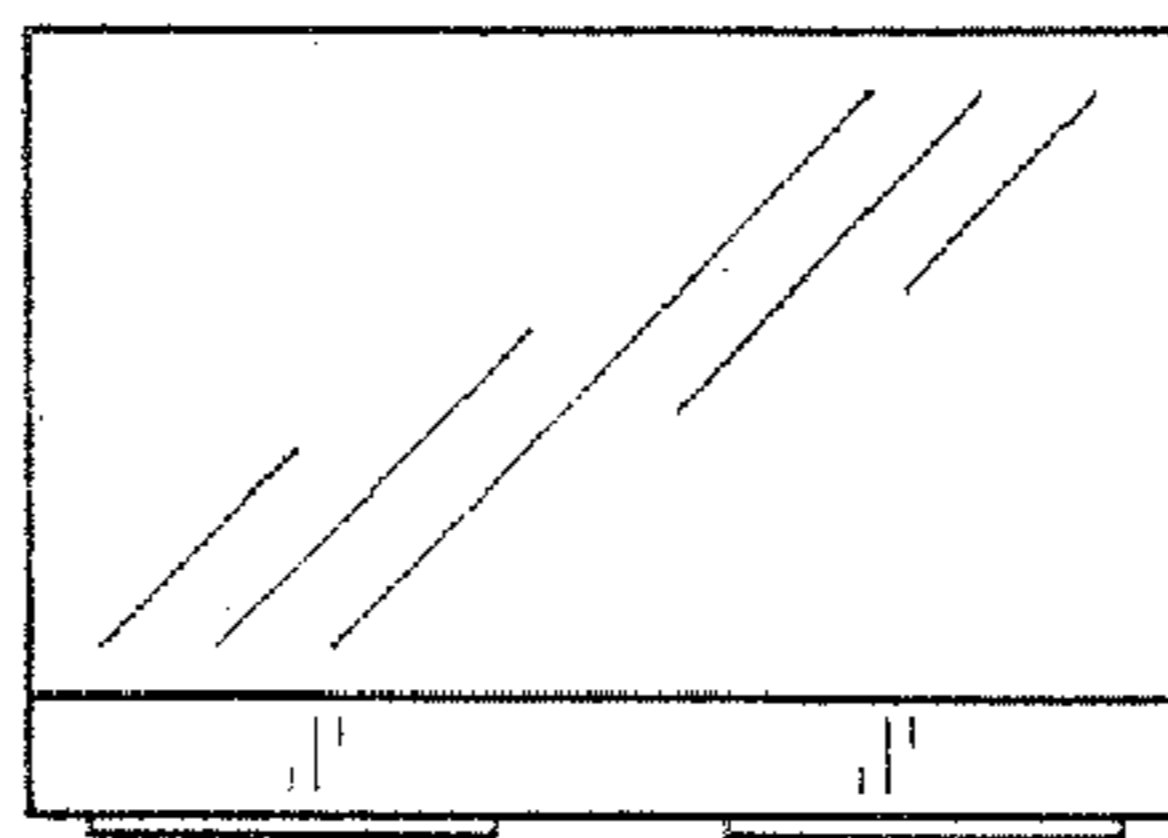


FIG. 18

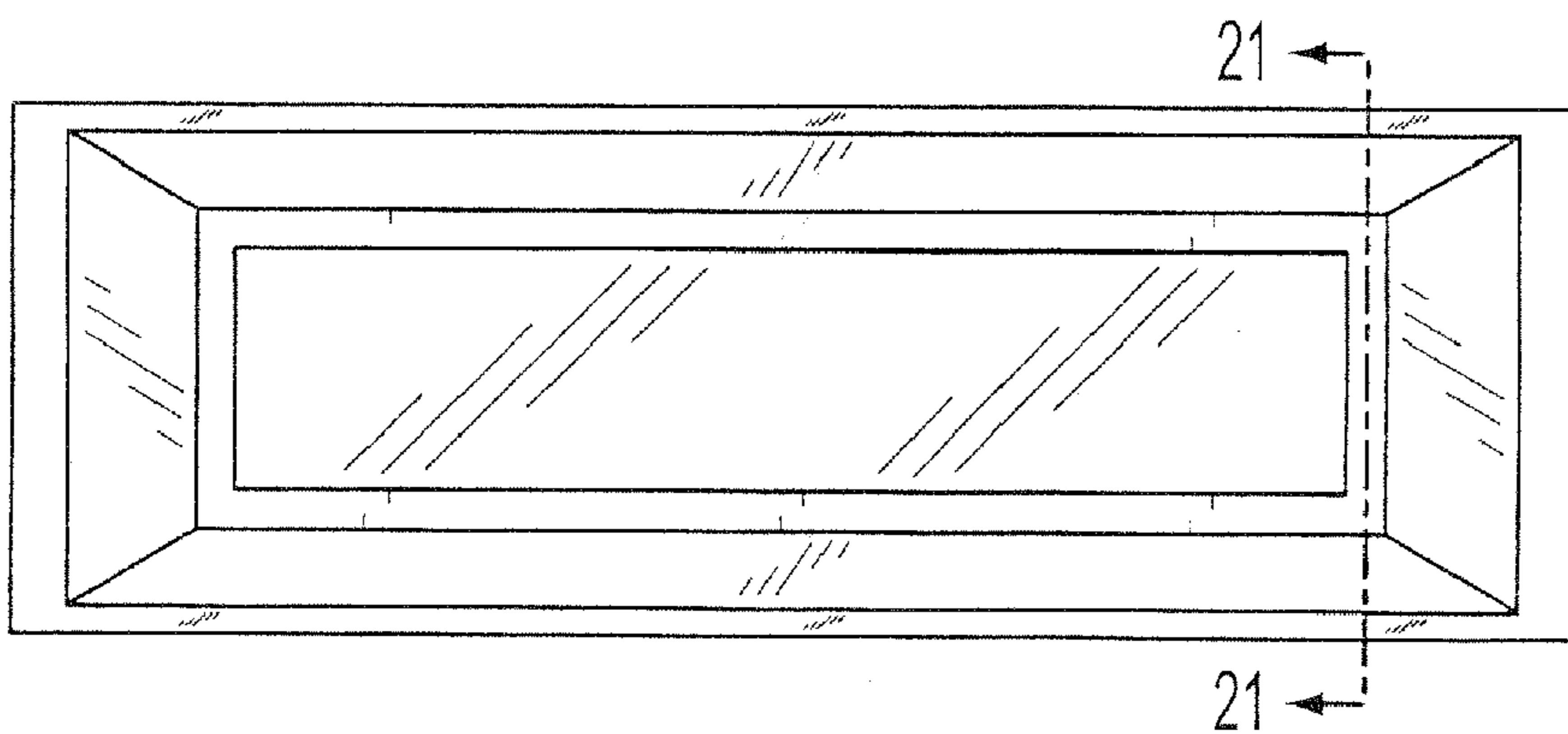


FIG. 19

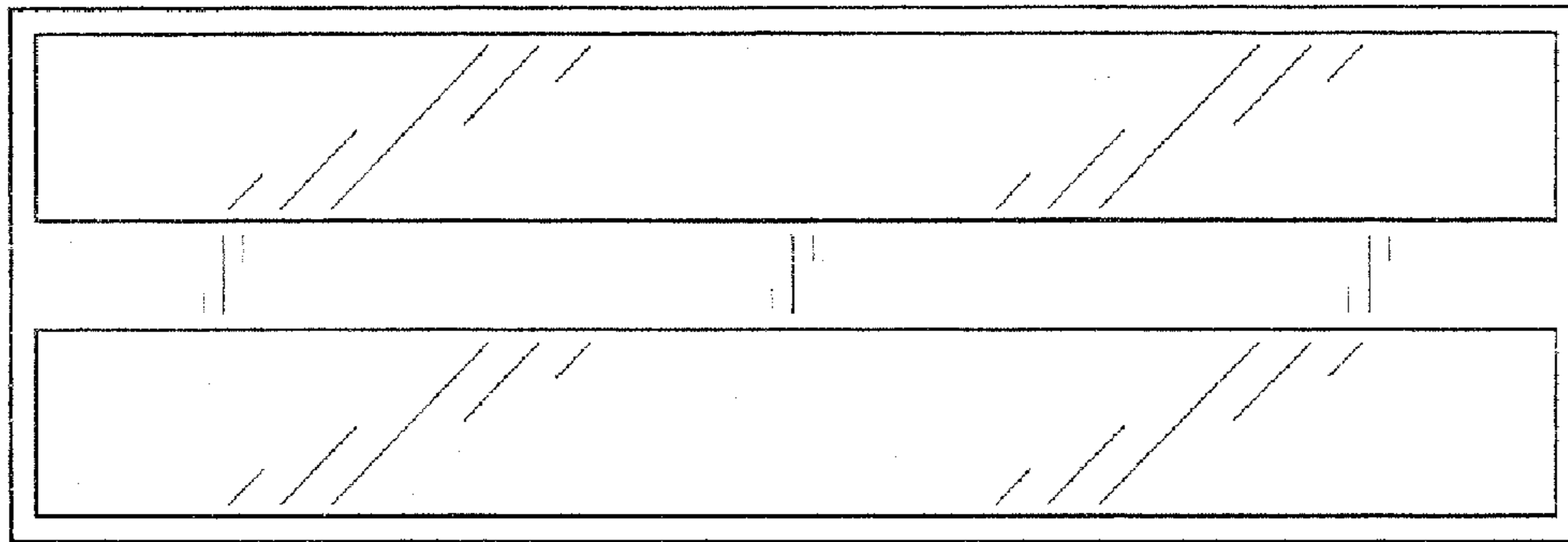


FIG. 20

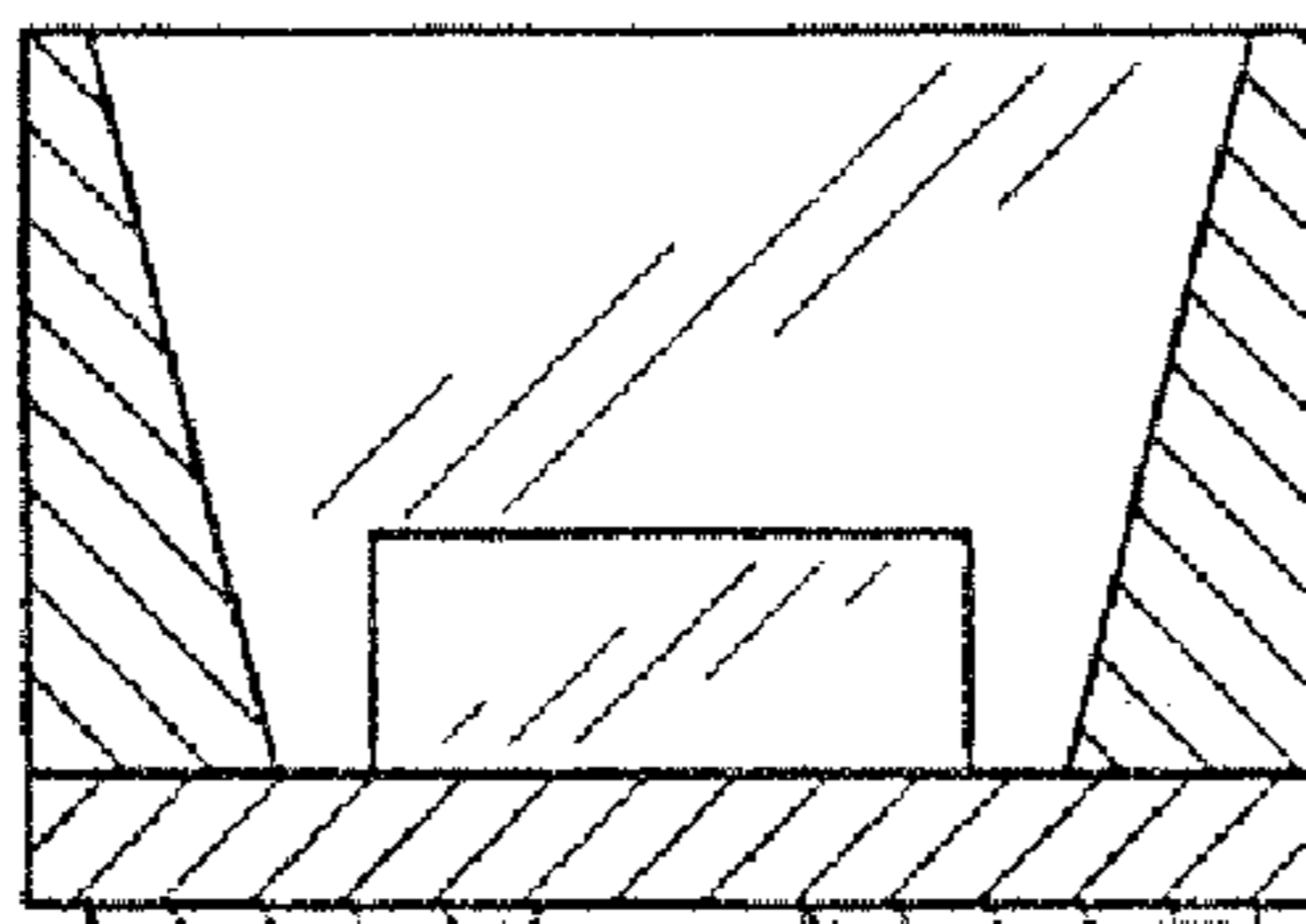


FIG. 21