



US00D574790S

(12) **United States Design Patent**
Song et al.

(10) **Patent No.:** **US D574,790 S**
(45) **Date of Patent:** **** Aug. 12, 2008**

(54) **RADIATOR FOR ELECTRIC EQUIPMENT PART**

- (75) Inventors: **Kyu-Sup Song**, Daejeon-si (KR);
Jae-Sup Han, Daejeon-si (KR);
Kwang-Su Kim, Daejeon-si (KR)
- (73) Assignee: **Apack Inc.**, Chungcheongnam-do (KR)
- (**) Term: **14 Years**
- (21) Appl. No.: **29/290,469**
- (22) Filed: **Dec. 10, 2007**

Related U.S. Application Data

- (63) Continuation of application No. 29/262,294, filed on Jun. 30, 2006, now abandoned.

(30) **Foreign Application Priority Data**

Jan. 7, 2006 (KR) 30-2006-632

- (51) **LOC (8) Cl.** **13-03**
- (52) **U.S. Cl.** **D13/179**
- (58) **Field of Classification Search** D13/179;
165/80.3, 104.33, 151, 122, 185; 257/706,
257/707, 718-722; 361/687, 695, 697, 700,
361/702, 704, 709, 710, 711, 719

See application file for complete search history.

(56) **References Cited**

U.S. PATENT DOCUMENTS

D480,692 S	10/2003	Lee
6,883,592 B2	4/2005	Lee
D541,756 S	5/2007	Lee
D541,757 S	5/2007	Lee et al.
2006/0061970 A1	3/2006	Lee

Primary Examiner—Selina Sikder
(74) *Attorney, Agent, or Firm*—Arent Fox LLP

(57) **CLAIM**

The ornamental design for a radiator for electric equipment part, as shown and described.

DESCRIPTION

FIG. 1 is a front perspective view of a radiator for electric equipment part showing my new design.
 FIG. 2 is a front view thereof.
 FIG. 3 is a rear view thereof.
 FIG. 4 is a left side view thereof.
 FIG. 5 is a right side view thereof.
 FIG. 6 is a top view thereof; and,
 FIG. 7 is a bottom view thereof.

1 Claim, 4 Drawing Sheets

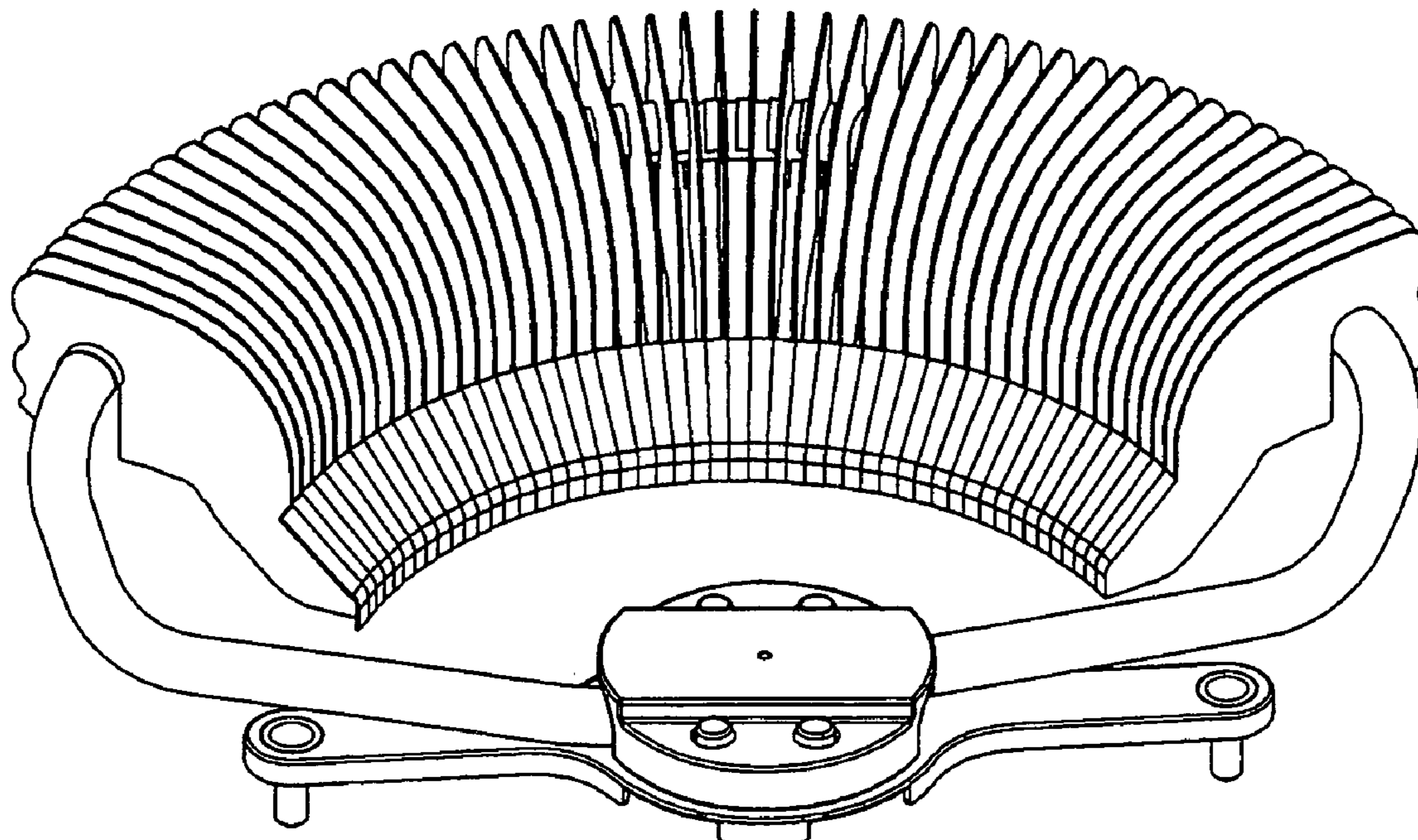


FIGURE 1

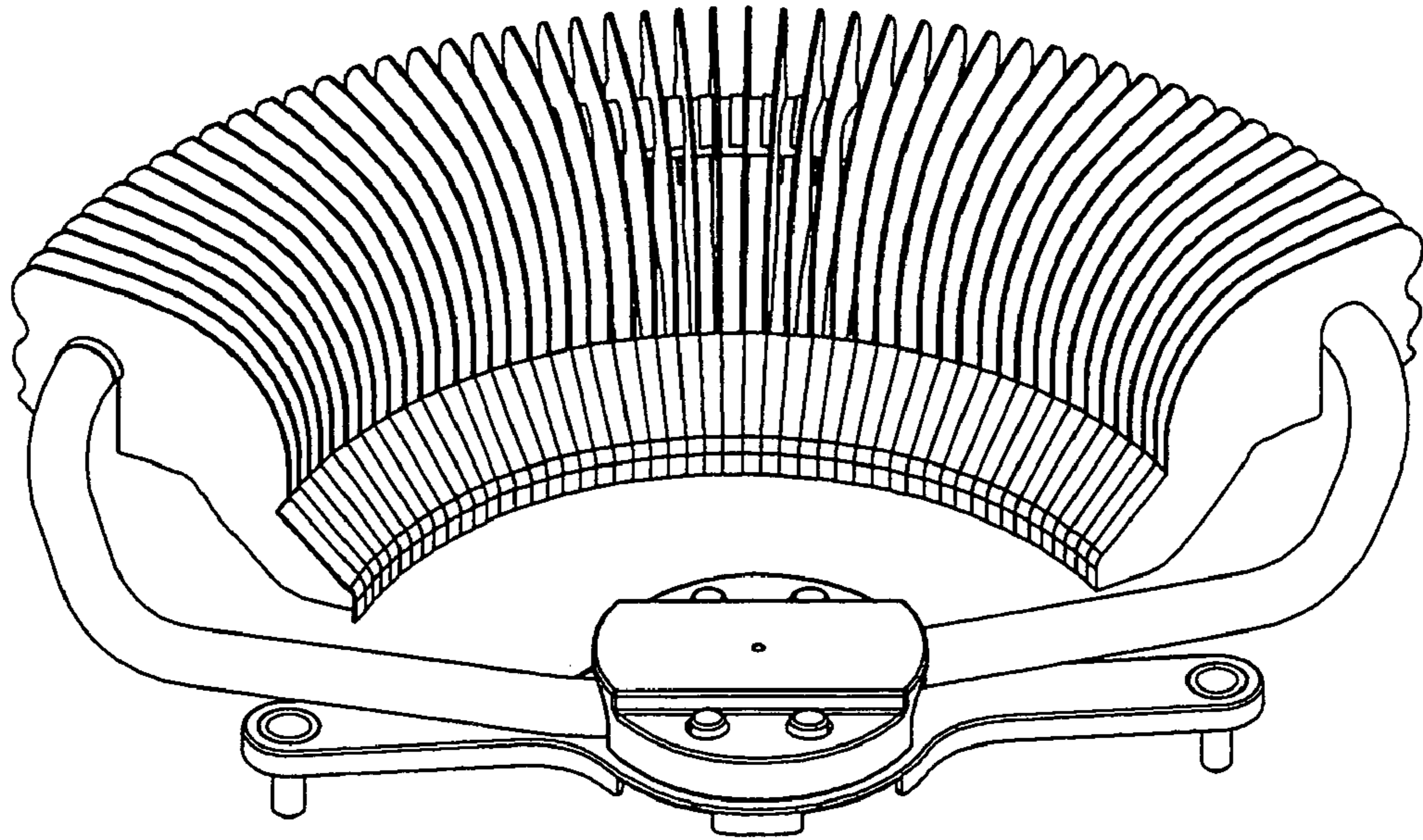


FIGURE 2

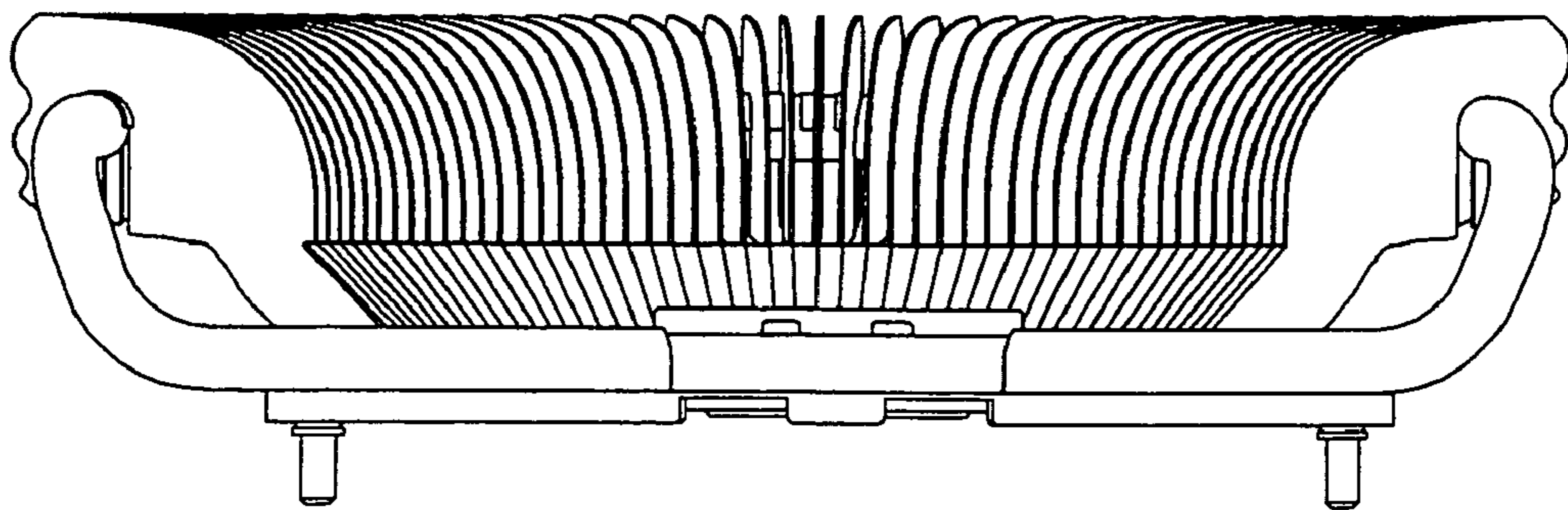


FIGURE 3

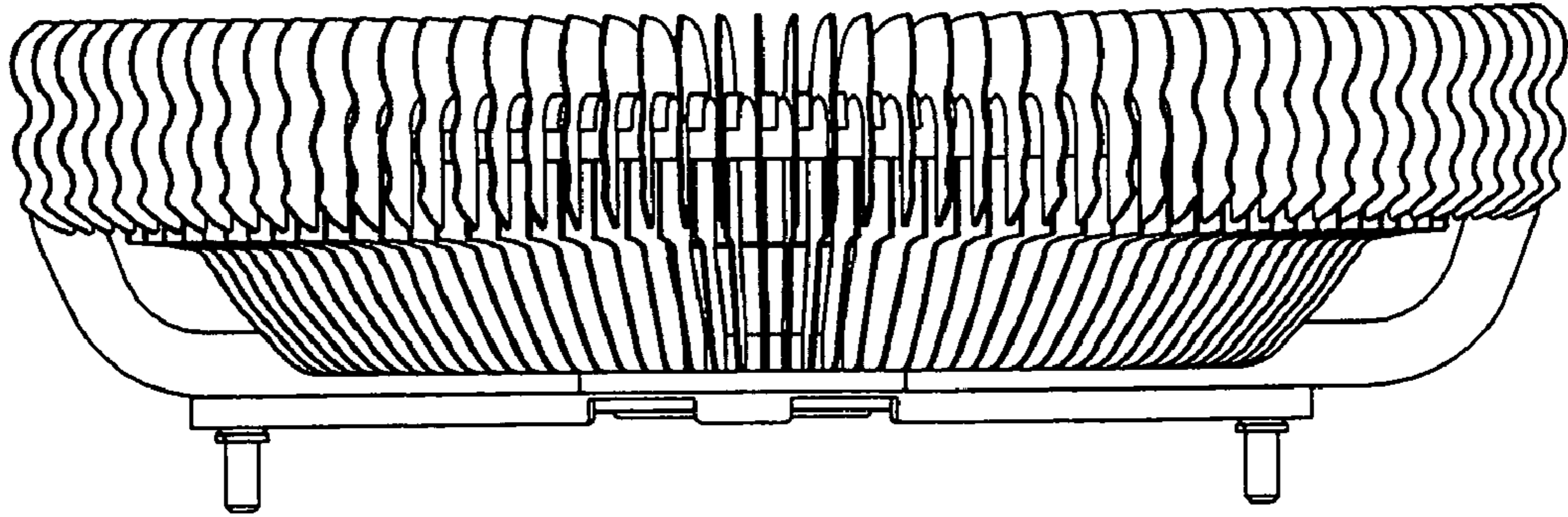


FIGURE 4

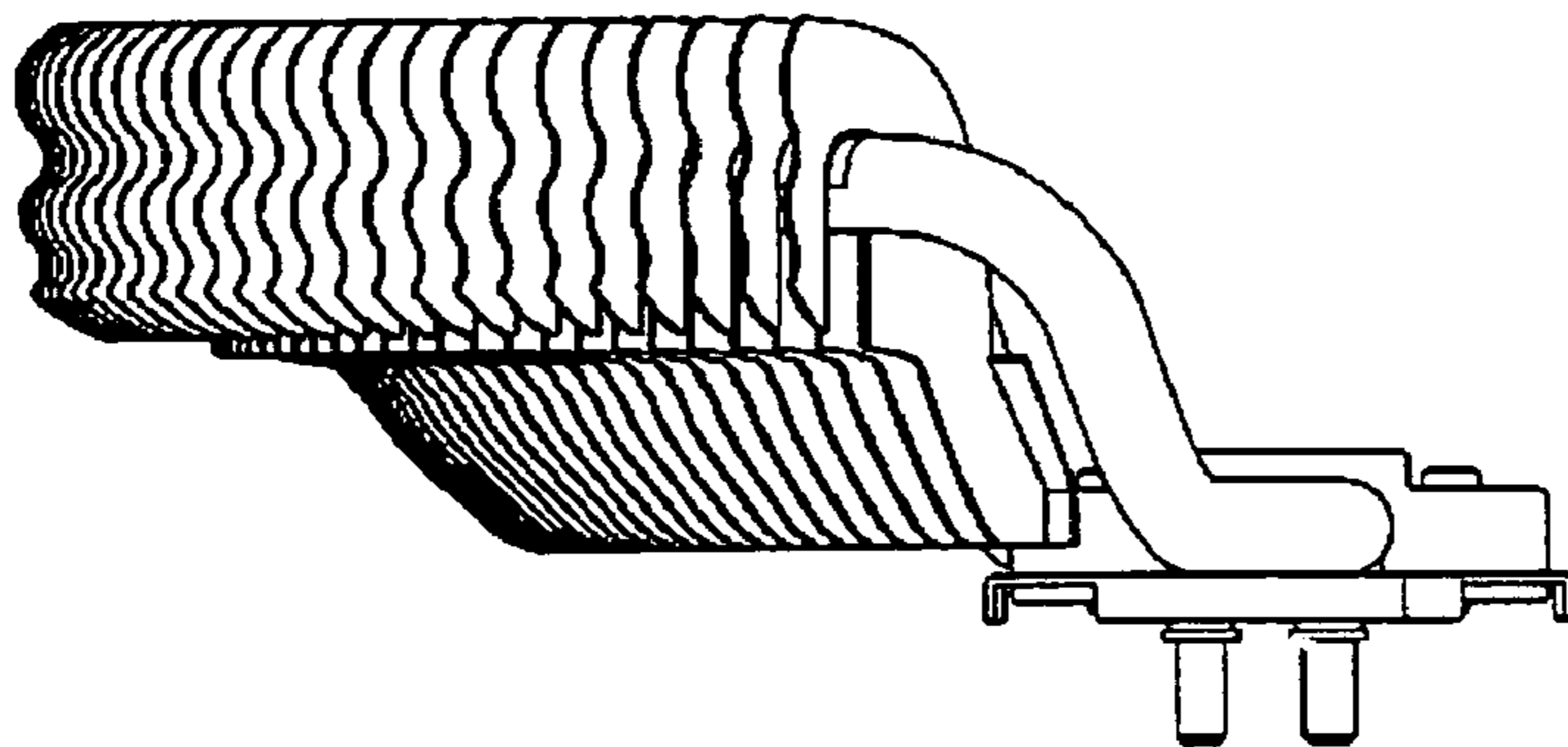


FIGURE 5

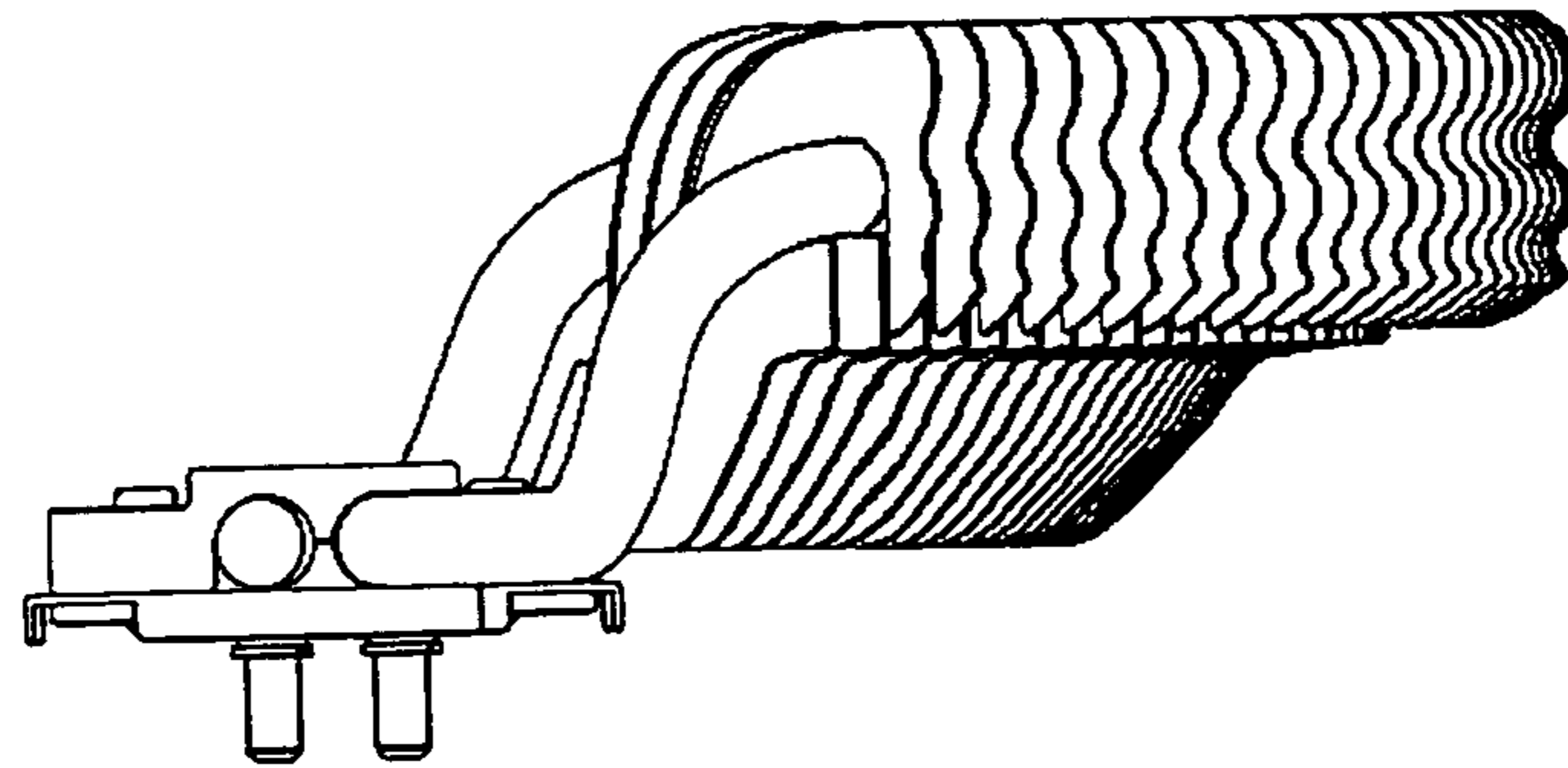


FIGURE 6

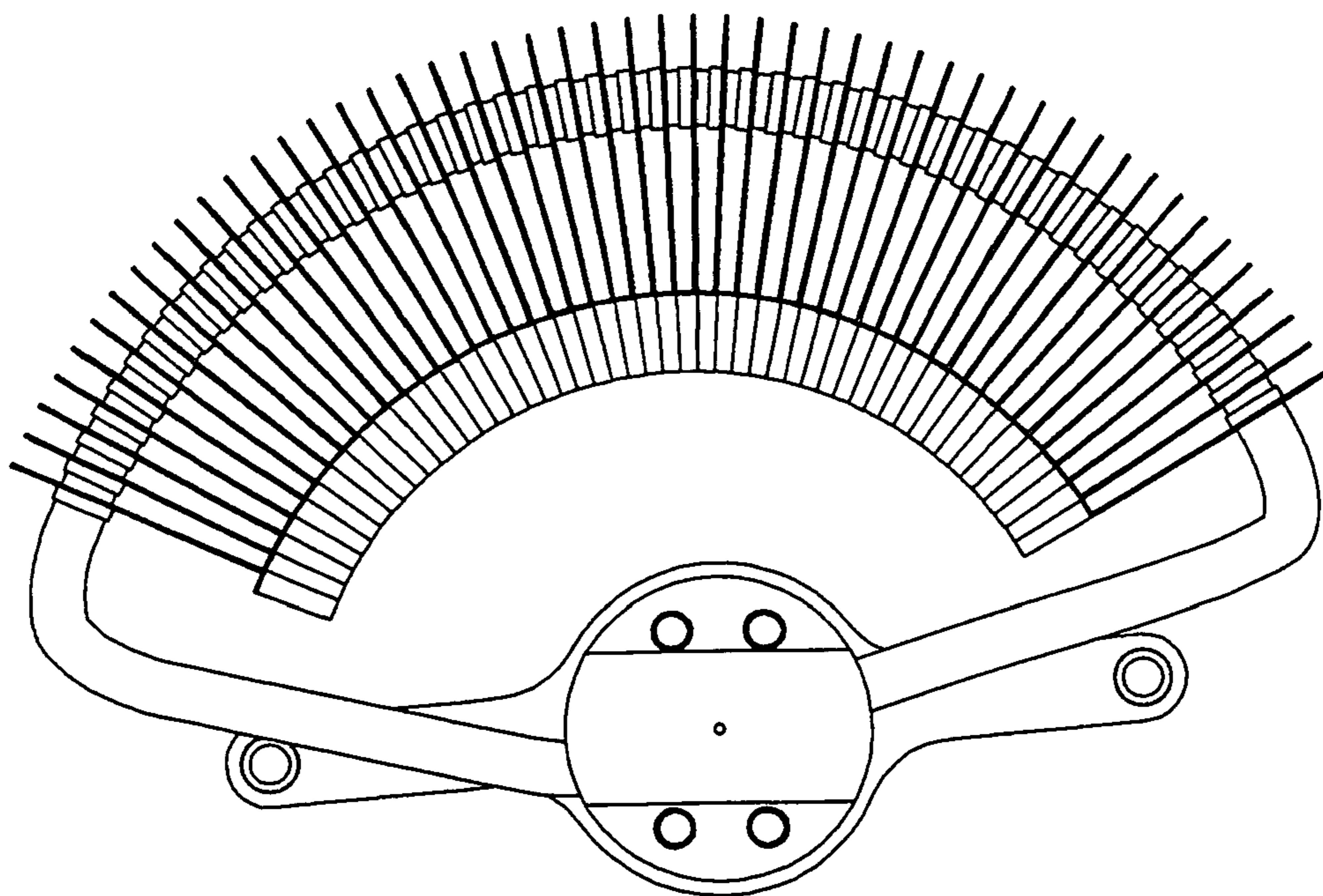


FIGURE 7

