



US00D574788S

(12) **United States Design Patent**
Yamamoto et al.

(10) **Patent No.:** **US D574,788 S**

(45) **Date of Patent:** **** Aug. 12, 2008**

(54) **CONTROLLER**

(75) Inventors: **Shinji Yamamoto**, Kyoto (JP); **Hideo Nagata**, Kyoto (JP); **Yasuhisa Kitano**, Kyoto (JP); **Akiko Suga**, Kyoto (JP); **Daisuke Kumazaki**, Kyoto (JP)

(73) Assignee: **Nintendo Co., Ltd.**, Kyoto (JP)

(**) Term: **14 Years**

(21) Appl. No.: **29/293,948**

(22) Filed: **Dec. 19, 2007**

(30) **Foreign Application Priority Data**

Jun. 22, 2007 (JP) 2007-016644

(51) **LOC (8) Cl.** **13-03**

(52) **U.S. Cl.** **D13/164; D13/167**

(58) **Field of Classification Search** D13/162, D13/164, 167; 273/153 R; 345/157; 463/36, 463/38; D14/457; D10/87-94

See application file for complete search history.

(56) **References Cited**

U.S. PATENT DOCUMENTS

4,488,017 A * 12/1984 Lee 463/38
D279,845 S * 7/1985 Holliman D14/457
D358,131 S * 5/1995 Lorentzen D13/162
5,992,849 A * 11/1999 Olti et al. 273/153 R

6,450,886 B1 * 9/2002 Oishi et al. 463/36
6,600,477 B1 * 7/2003 Howell 345/157
D519,467 S * 4/2006 Chow et al. D13/167
D549,710 S * 8/2007 Hyneczek et al. D14/455
D562,259 S * 2/2008 Kosche D13/162
2008/0004111 A1 * 1/2008 Prather et al. 463/36

* cited by examiner

Primary Examiner—Daniel D Bui

Assistant Examiner—Thomas J Johannes

(74) *Attorney, Agent, or Firm*—Nixon & Vanderhye, PC

(57) **CLAIM**

The ornamental design for a controller, as shown and described.

DESCRIPTION

FIG. 1 is a front, top and right perspective view of a controller showing our new design;

FIG. 2 is a rear, bottom and left perspective view thereof;

FIG. 3 is a top plan view thereof;

FIG. 4 is a bottom plan view thereof;

FIG. 5 is a front view thereof;

FIG. 6 is a rear view thereof; and,

FIG. 7 is a right side view thereof, a left side view being a mirror image thereof.

1 Claim, 3 Drawing Sheets

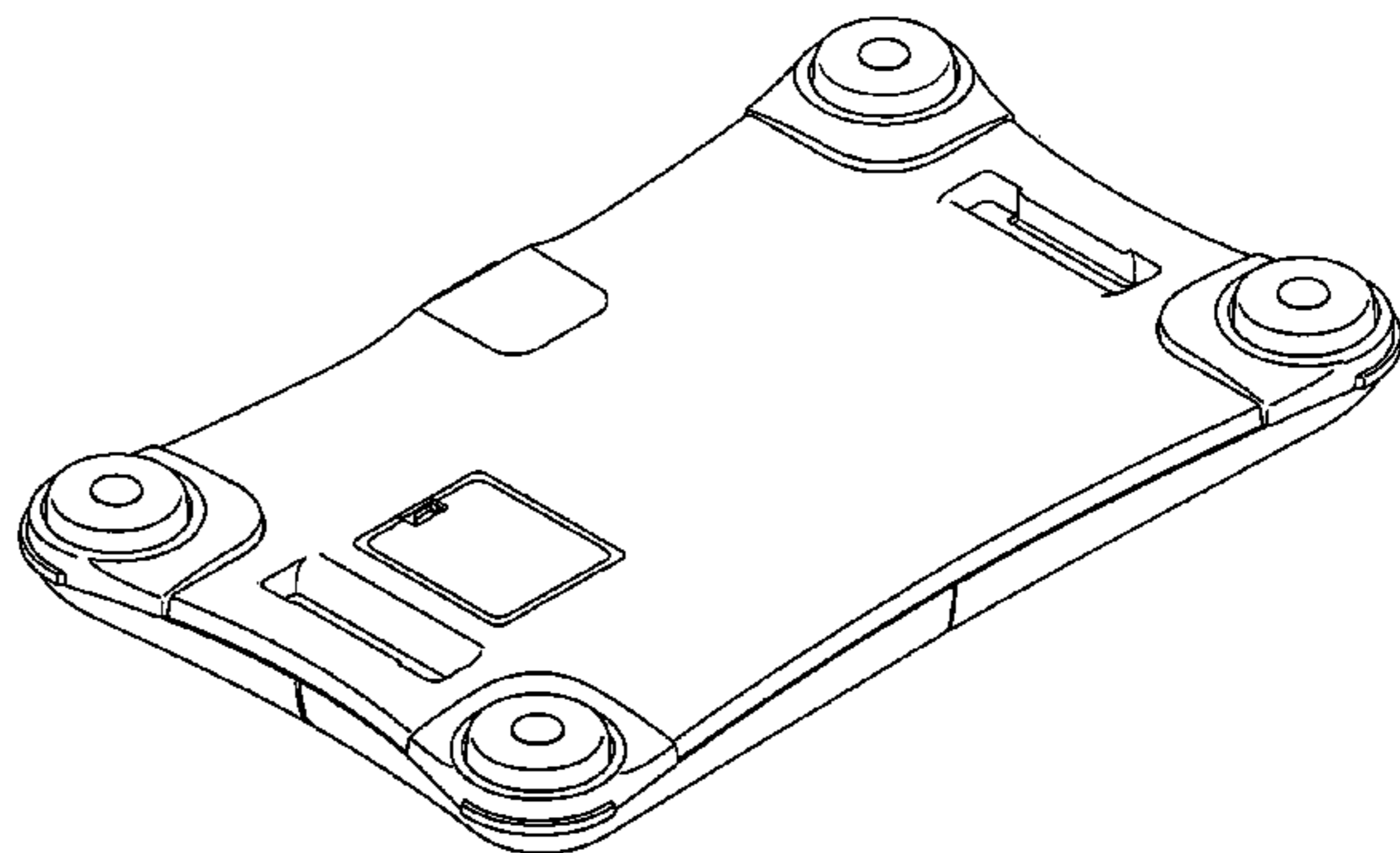
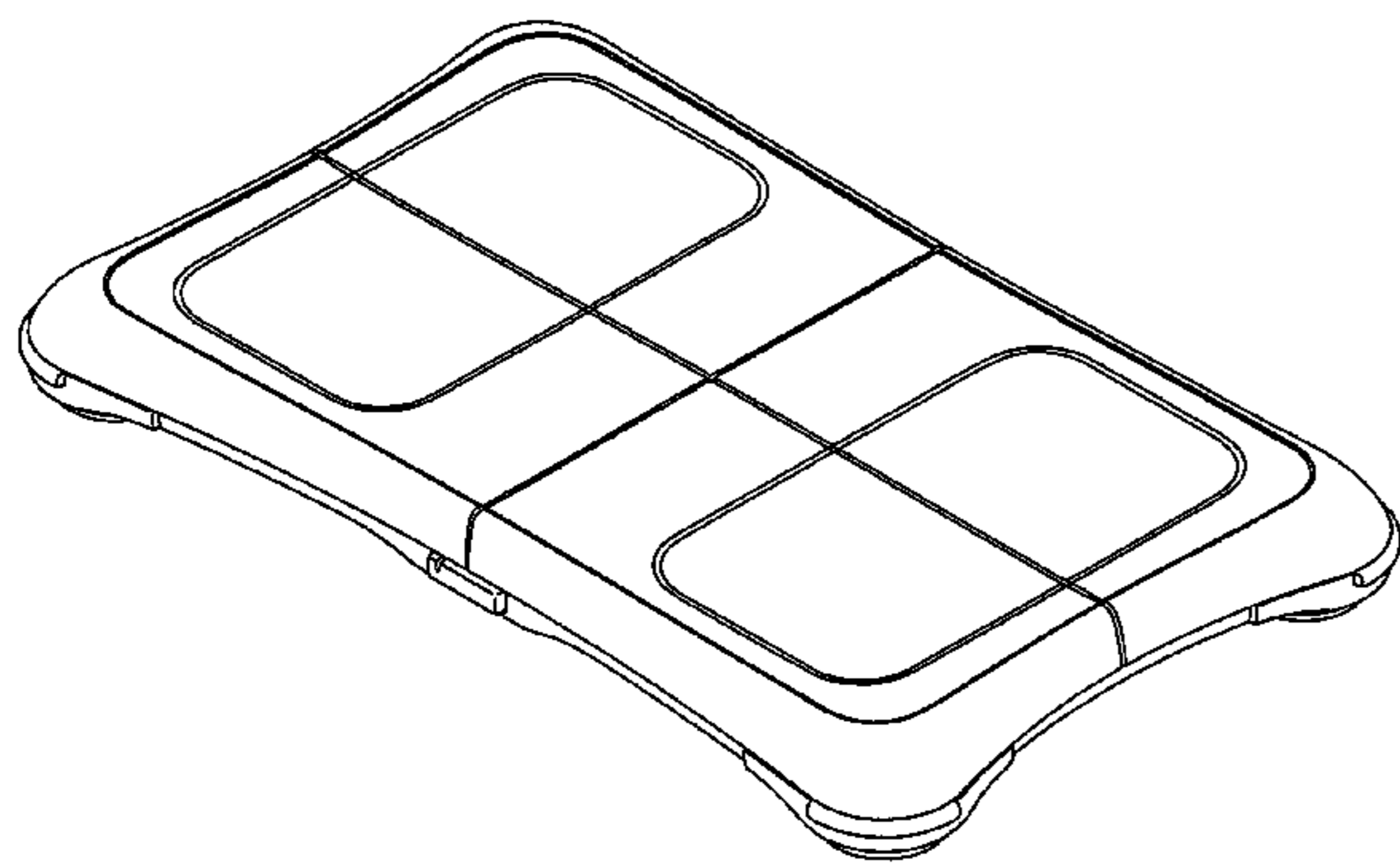


FIG. 1

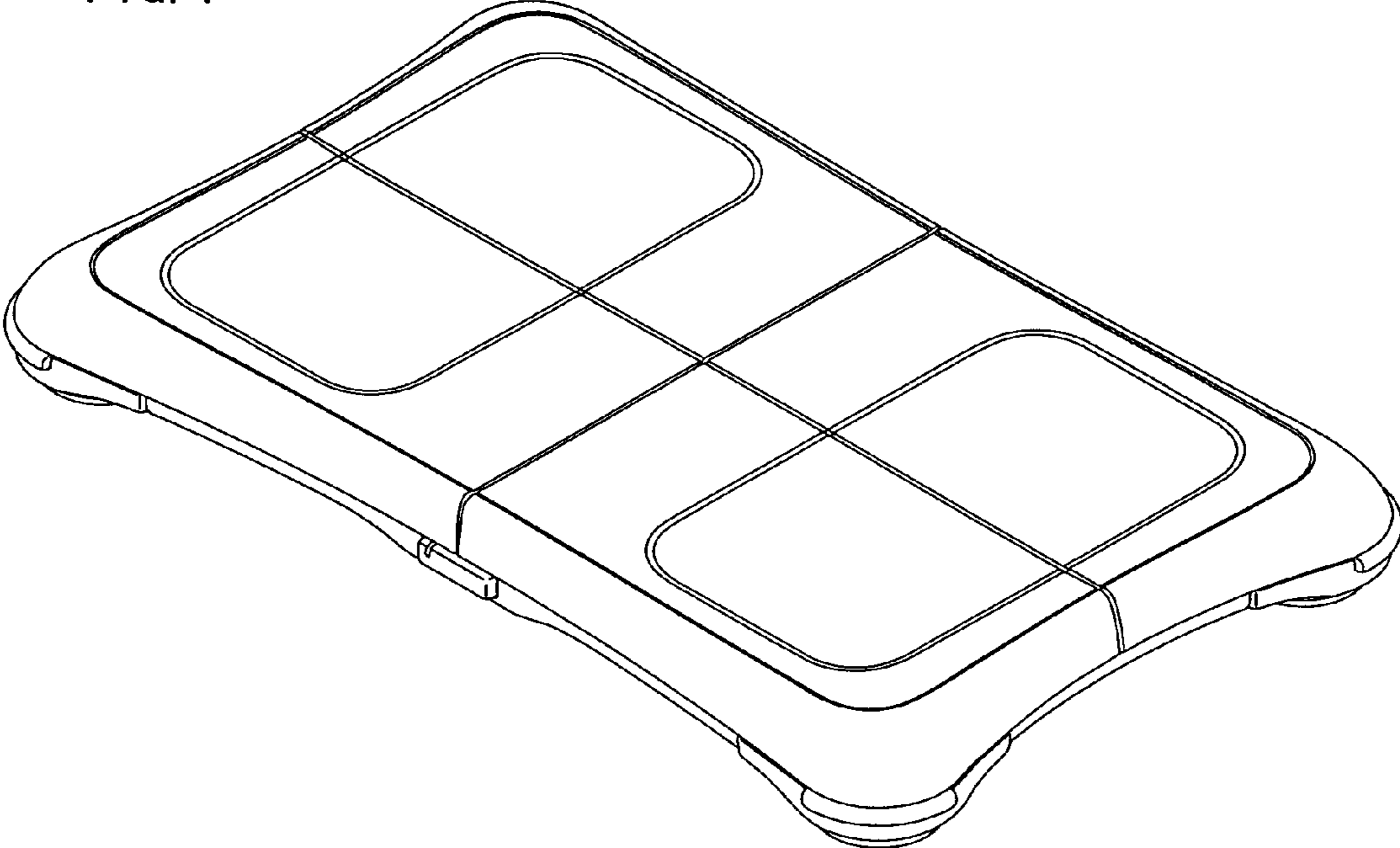


FIG. 2

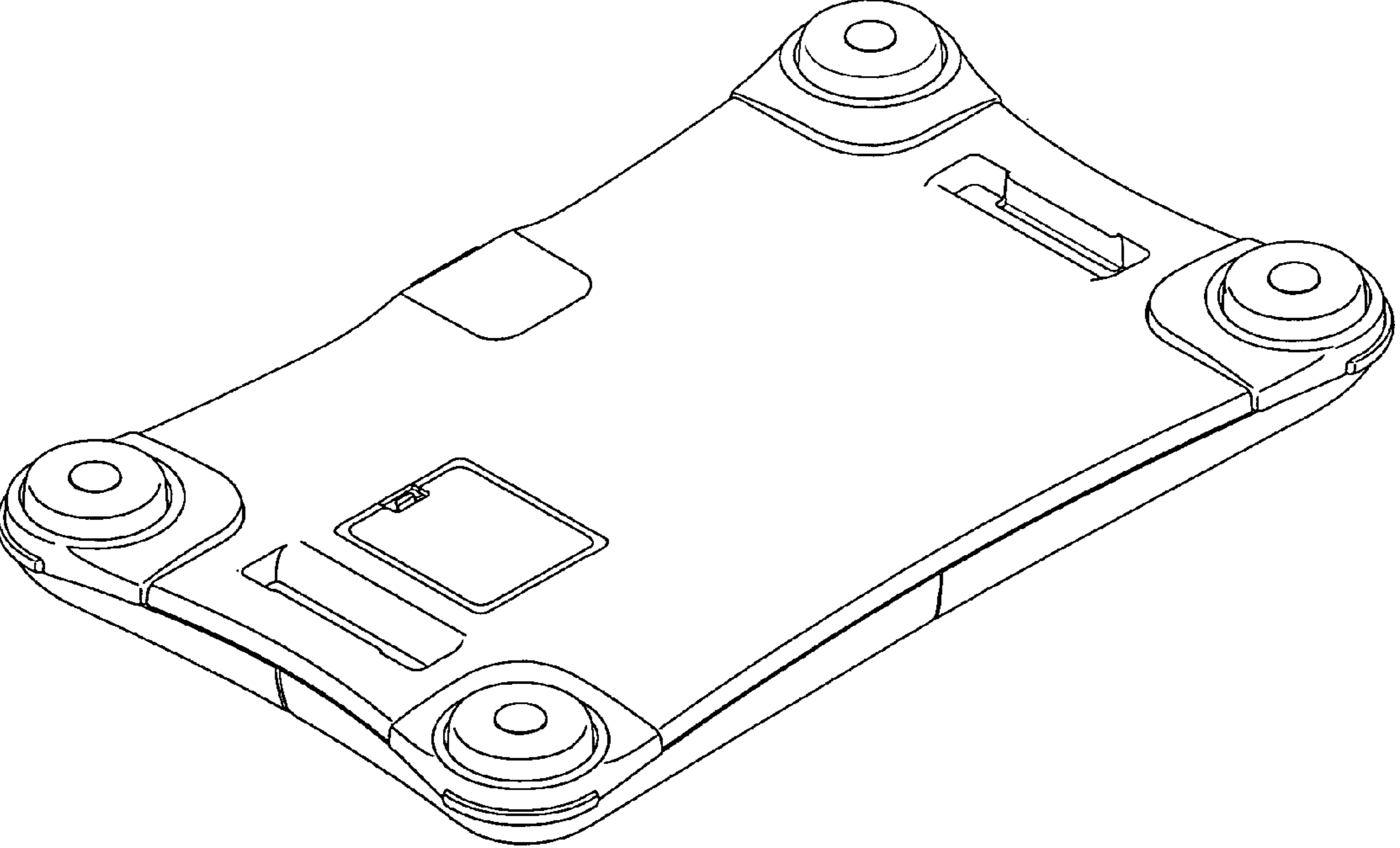


FIG. 3

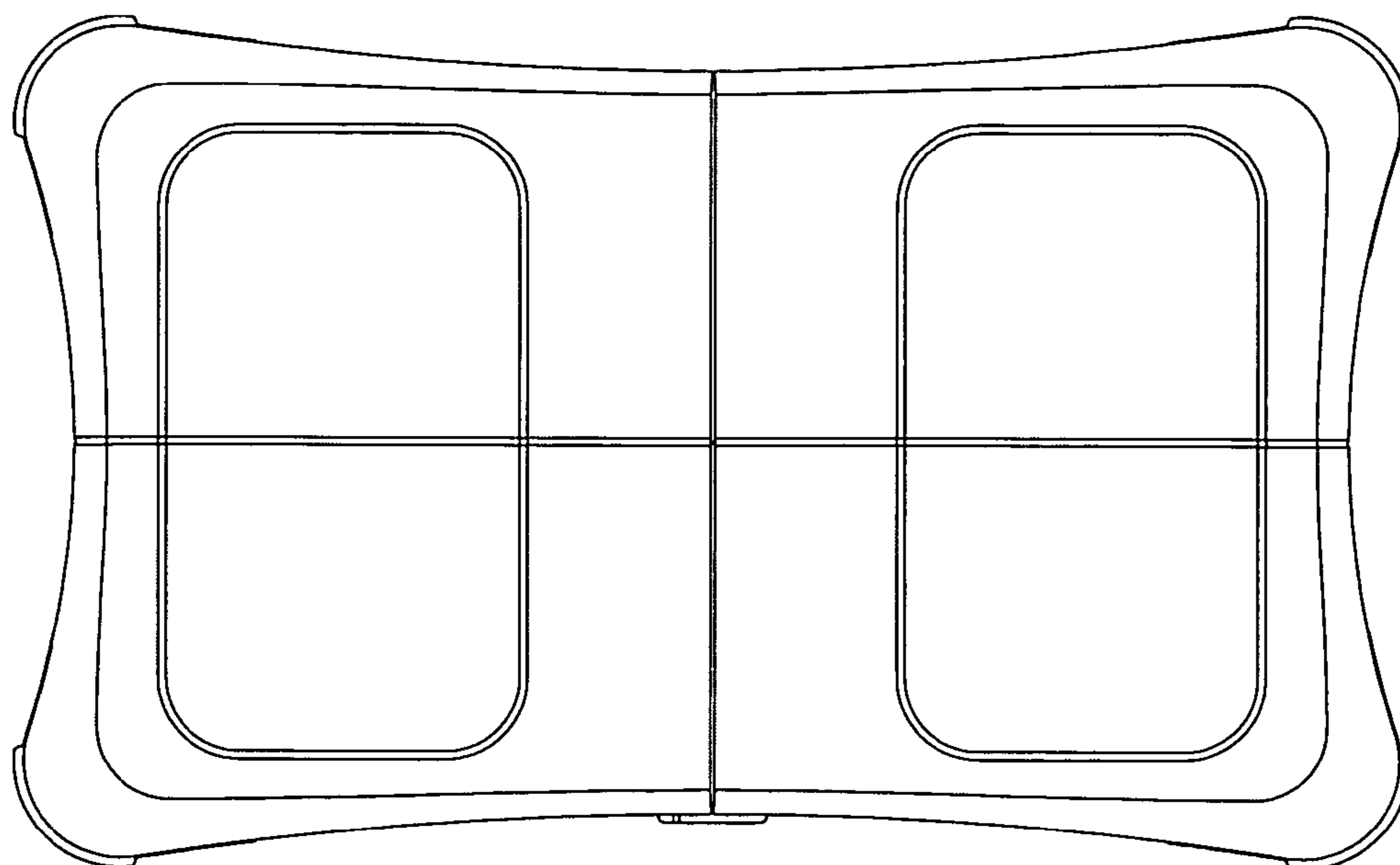


FIG. 4

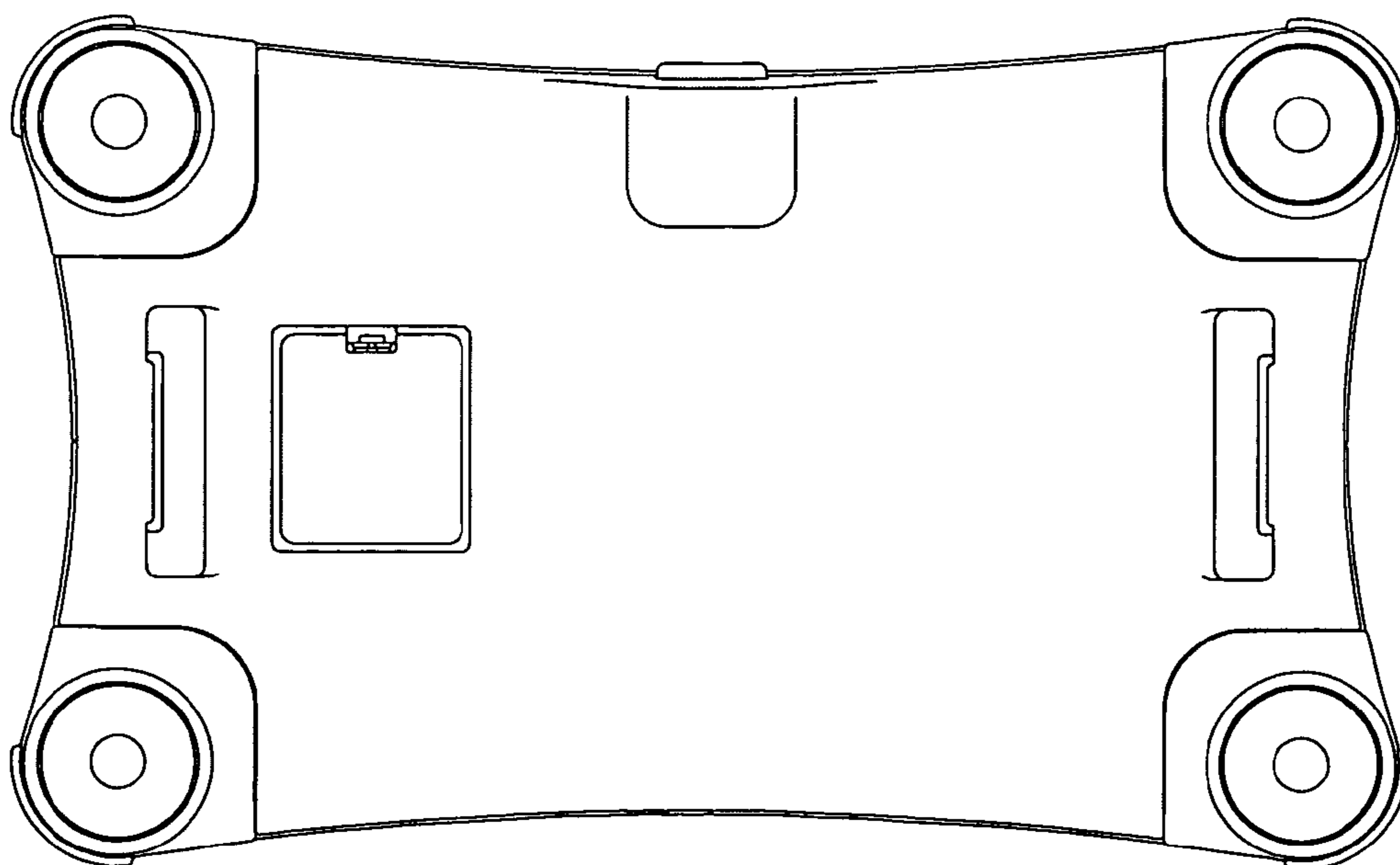


FIG. 5

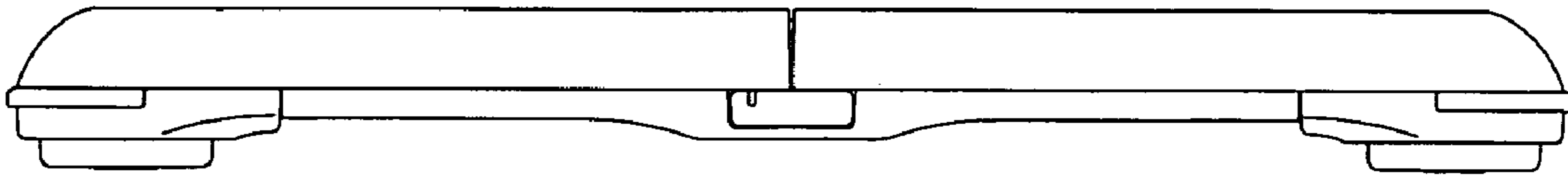


FIG. 6

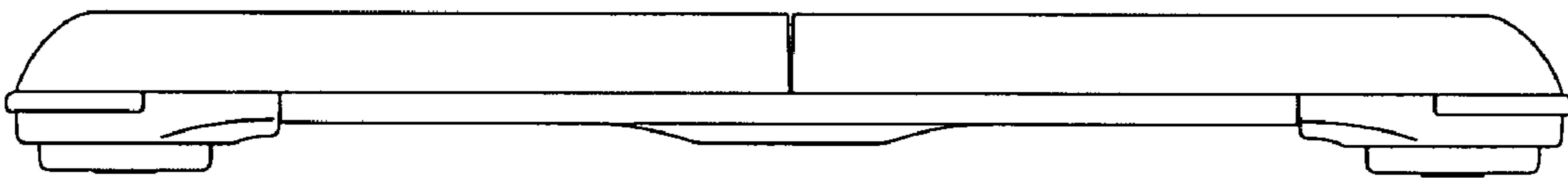


FIG. 7

