



US00D574786S

(12) **United States Design Patent**  
**Askeland et al.**

(10) **Patent No.:** **US D574,786 S**

(45) **Date of Patent:** **\*\* Aug. 12, 2008**

(54) **PORTIONS OF A CONNECTOR PLUG AND RECEPTACLE PAIR**

(75) Inventors: **Roy J. Askeland**, Los Altos, CA (US);  
**Vinicio Manfrini**, Sammamish, WA (US)

(73) Assignee: **Microsoft Corporation**, Redmond, WA (US)

(\*\*) Term: **14 Years**

(21) Appl. No.: **29/303,742**

(22) Filed: **Feb. 15, 2008**

(51) **LOC (8) Cl.** ..... **13-03**

(52) **U.S. Cl.** ..... **D13/154**

(58) **Field of Classification Search** ..... D13/133,  
D13/146-154, 184, 199; 439/108, 151, 152,  
439/266, 347-358, 374, 378, 379, 476.1,  
439/594-600, 606-610, 668, 676-680

See application file for complete search history.

(56) **References Cited**

**U.S. PATENT DOCUMENTS**

D195,171 S	5/1963	Keiter
D210,533 S	3/1968	Pauza
D234,771 S	4/1975	Saunders
D241,942 S	10/1976	Sheesley et al.
4,188,080 A	2/1980	Streble
D272,061 S	1/1984	Moriai et al.
D308,513 S	6/1990	Endo et al.
D310,993 S	10/1990	Ohkura et al.
D319,043 S	8/1991	Hayashi et al.
D323,141 S	1/1992	Sueyoshi et al.
D323,152 S	1/1992	Nagasaka et al.
D328,278 S	7/1992	Nagasaka et al.
5,268,982 A	12/1993	Schaffer et al.
5,342,221 A	8/1994	Peterson

D366,646 S	1/1996	Carr
5,651,697 A	7/1997	Cinquegrani et al.
D389,121 S	1/1998	Kuprevicz et al.
D410,629 S	6/1999	Bandura et al.
D413,302 S	8/1999	Sekiguchi et al.
D420,646 S	2/2000	Liao
6,022,246 A	2/2000	Ko
D426,194 S	6/2000	Ko et al.

(Continued)

**OTHER PUBLICATIONS**

Picture of Microsoft Xbox 360 Power Supply Cable, 3 sheets.

(Continued)

*Primary Examiner*—Brian N Vinson

(74) *Attorney, Agent, or Firm*—Banner & Witcoff, Ltd.

(57) **CLAIM**

The ornamental design for portions of a connector plug and receptacle pair, as shown and described.

**DESCRIPTION**

FIG. 1 is a front elevation view of a connector plug showing our new design;

FIG. 2 is a perspective view thereof;

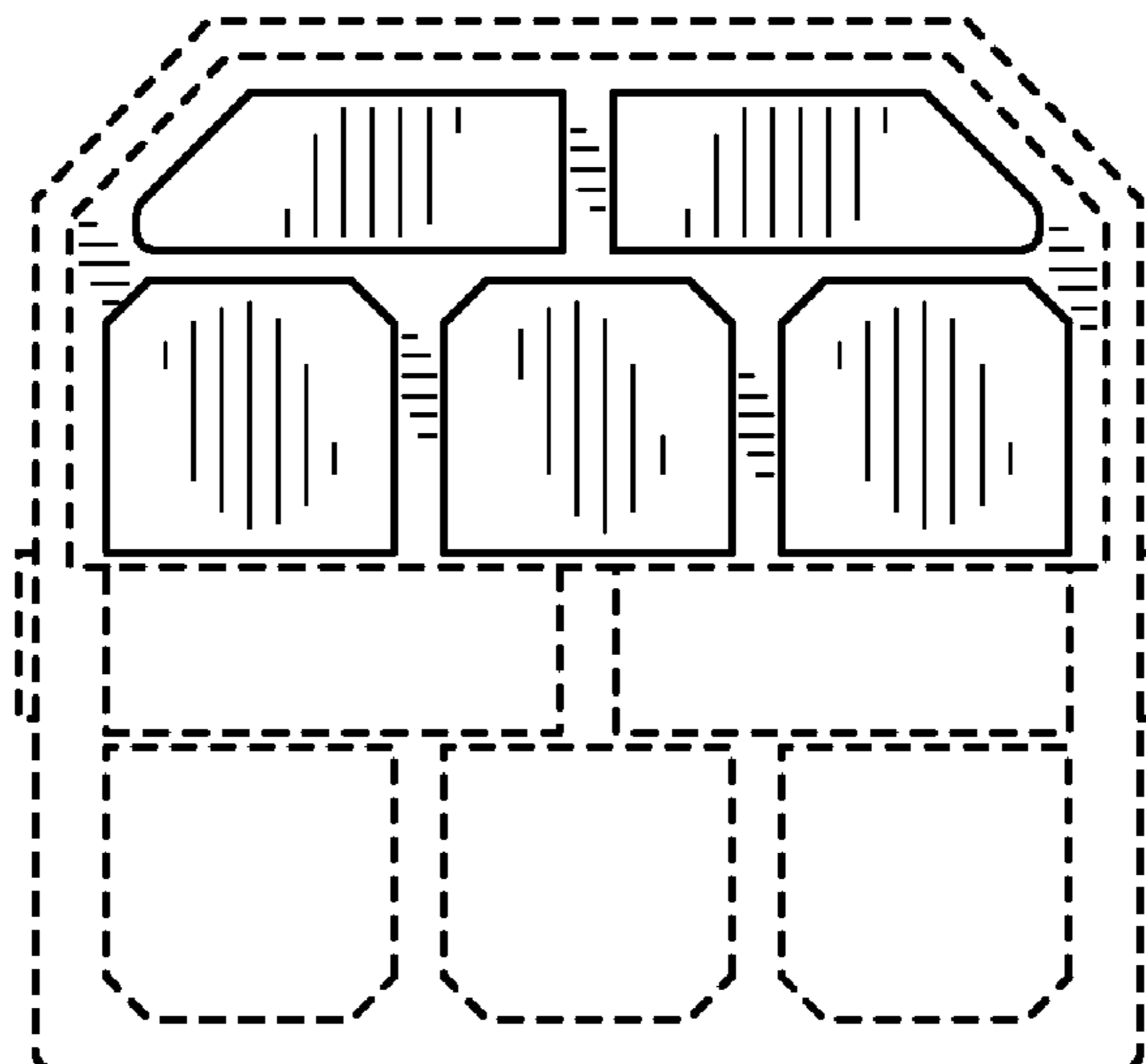
FIG. 3 is a front elevation view of a connector receptacle showing our new design;

FIG. 4 is a perspective thereof; and,

FIG. 5 is a front elevation view of portions of a connector plug and receptacle pair, shown in a common stowage.

The broken line showing of the remainder of the connector plug and the connector receptacle, and the common stowage is for illustrative purposes only and forms no part of the claimed design.

**1 Claim, 3 Drawing Sheets**



# US D574,786 S

Page 2

## U.S. PATENT DOCUMENTS

D427,149 S	6/2000	Konno et al.	D524,751 S	7/2006	Lee et al.
6,135,815 A	10/2000	Ko et al.	7,074,070 B1	7/2006	Huang et al.
6,135,822 A	10/2000	Hwang	D527,347 S *	8/2006	Shang Yen et al. .... D13/147
6,159,054 A	12/2000	Ko	D528,984 S	9/2006	Li
6,168,475 B1	1/2001	Ko	7,114,981 B1	10/2006	Huang et al.
6,183,287 B1	2/2001	Po	D531,959 S	11/2006	Kondas
6,200,168 B1	3/2001	Ko	D531,960 S	11/2006	Kondas
RE37,296 E	7/2001	Peterson	7,144,267 B1	12/2006	Huang et al.
D476,624 S	7/2003	Watanabe et al.	D543,149 S	5/2007	Huang et al.
D478,321 S	8/2003	Peng	D544,844 S	6/2007	Askeland et al.
D482,658 S	11/2003	Shao	D544,845 S	6/2007	Askeland et al.
D483,017 S	12/2003	Goto	D550,628 S	9/2007	Whiteman, Jr. et al.
D483,332 S	12/2003	Verfuert	D556,141 S	11/2007	Whiteman, Jr. et al.
D488,783 S	4/2004	Goto	D556,142 S	11/2007	Kudo et al.
D491,525 S	6/2004	Hwang	D556,147 S	11/2007	Kudo et al.
D492,260 S	6/2004	Spink, Jr.	D559,187 S	1/2008	Hayashi
D494,141 S	8/2004	Spink, Jr.	D568,823 S *	5/2008	Ashida et al. .... D13/154
D494,933 S	8/2004	Lu	2001/0023151 A1	9/2001	Yoshida
6,860,765 B1	3/2005	Spink, Jr.	2006/0166544 A1	7/2006	Tateishi et al.
D512,687 S	12/2005	Baker et al.			
7,008,255 B1	3/2006	Wang			
D519,924 S	5/2006	Baker et al.			
D524,737 S	7/2006	Lai et al.			

## OTHER PUBLICATIONS

Picture of Microsoft Xbox 360 Rear Power Socket Connection, 2 sheets.

\* cited by examiner

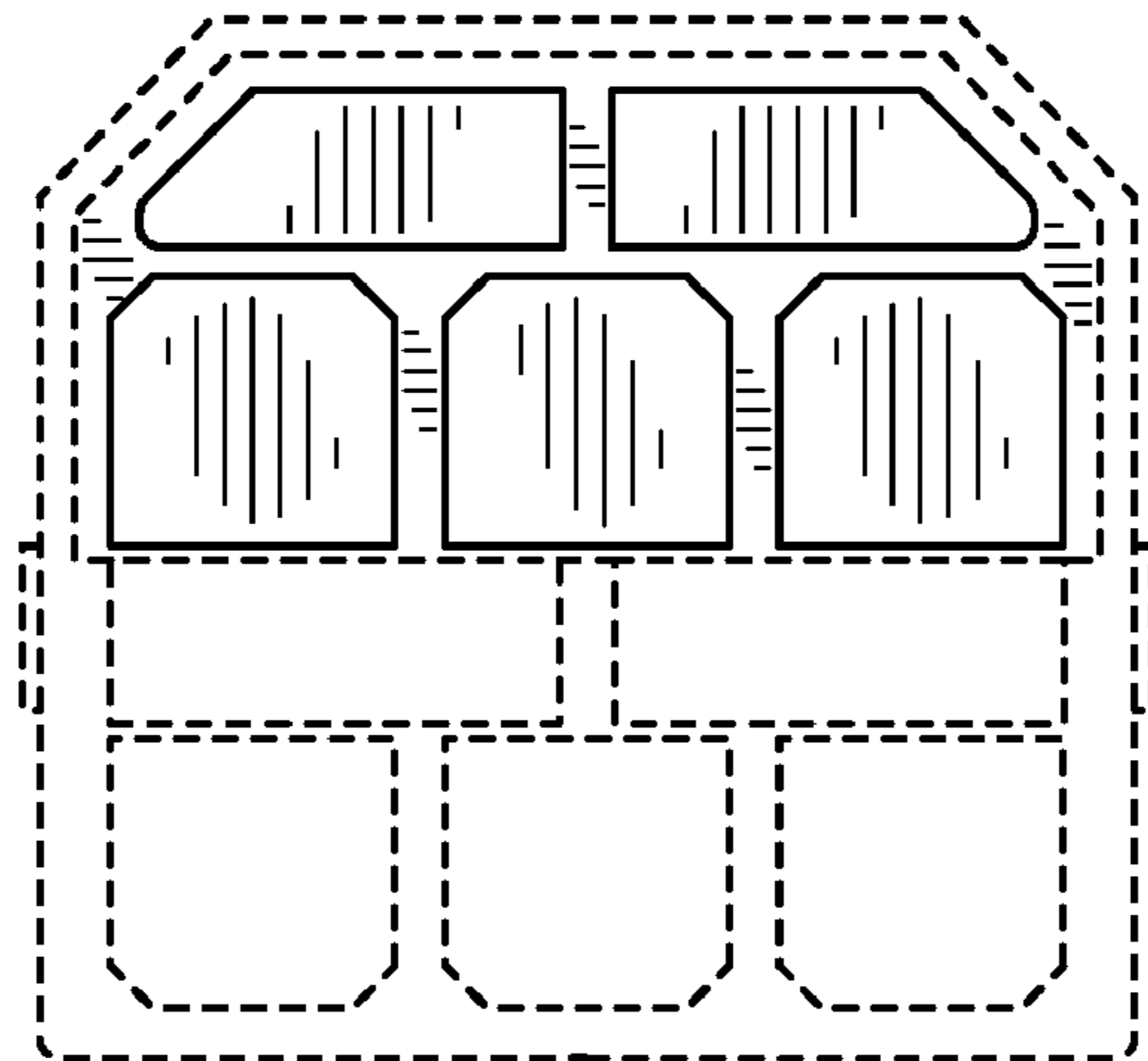


FIG. 1

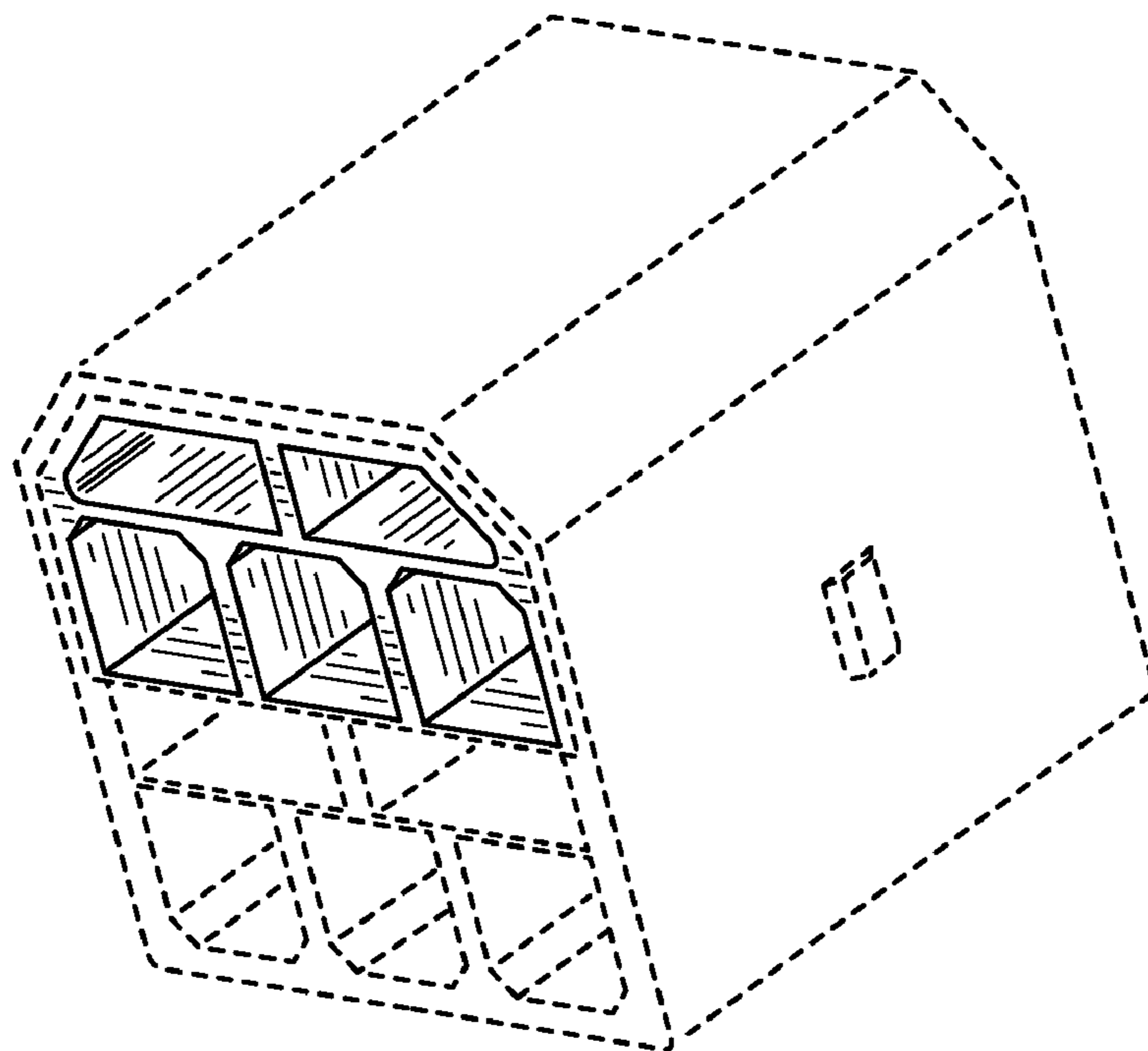


FIG. 2

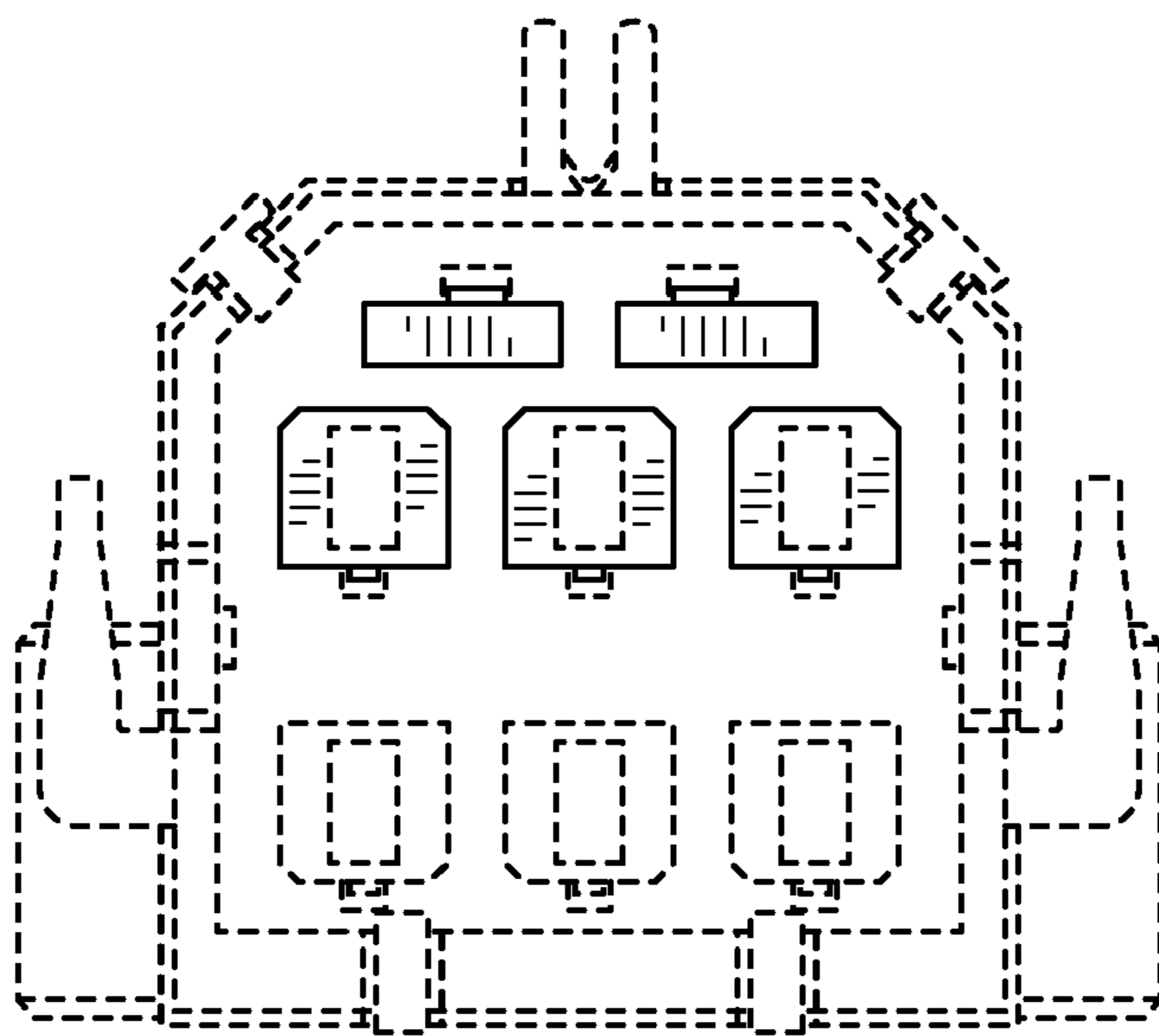


FIG. 3

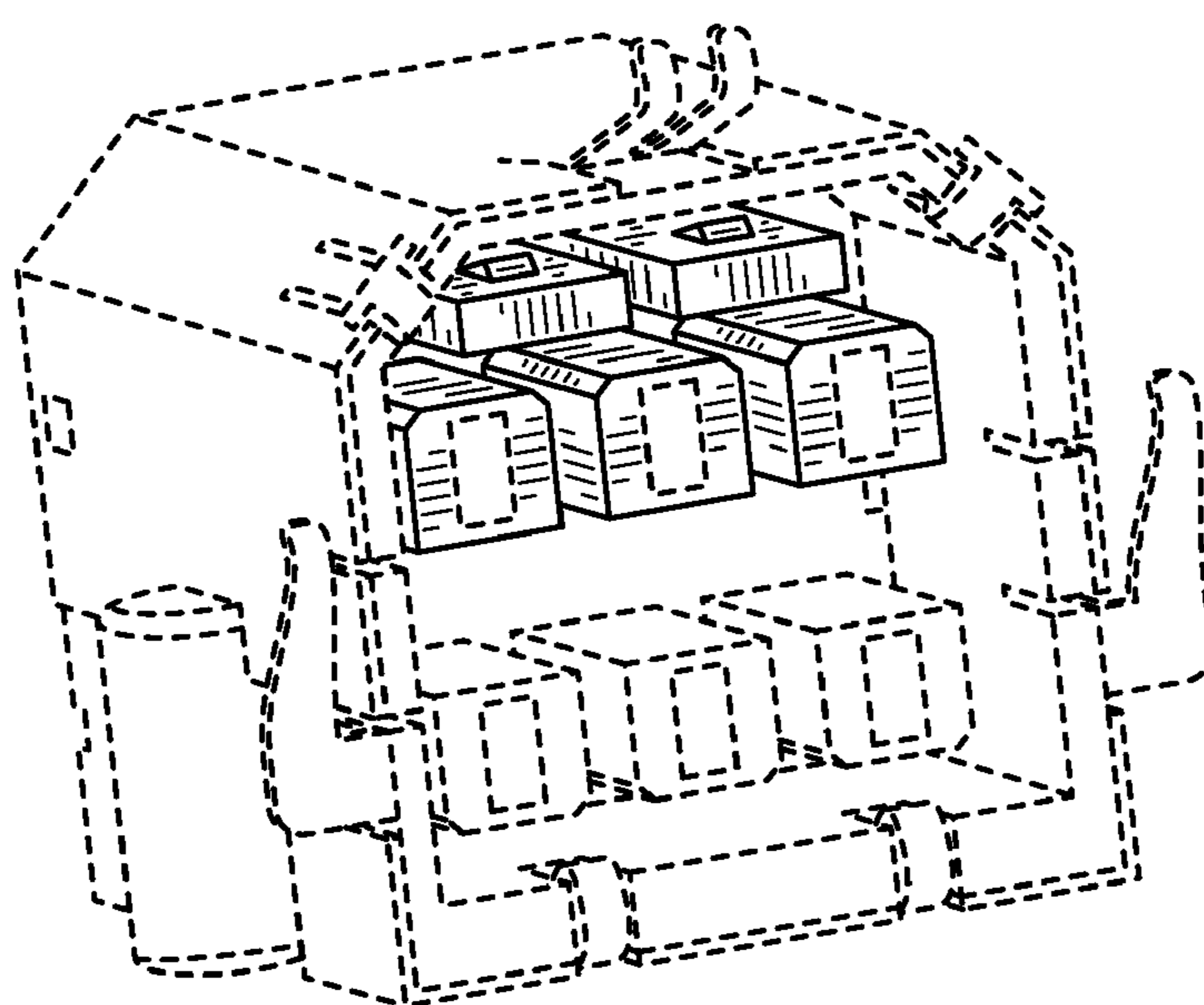


FIG. 4

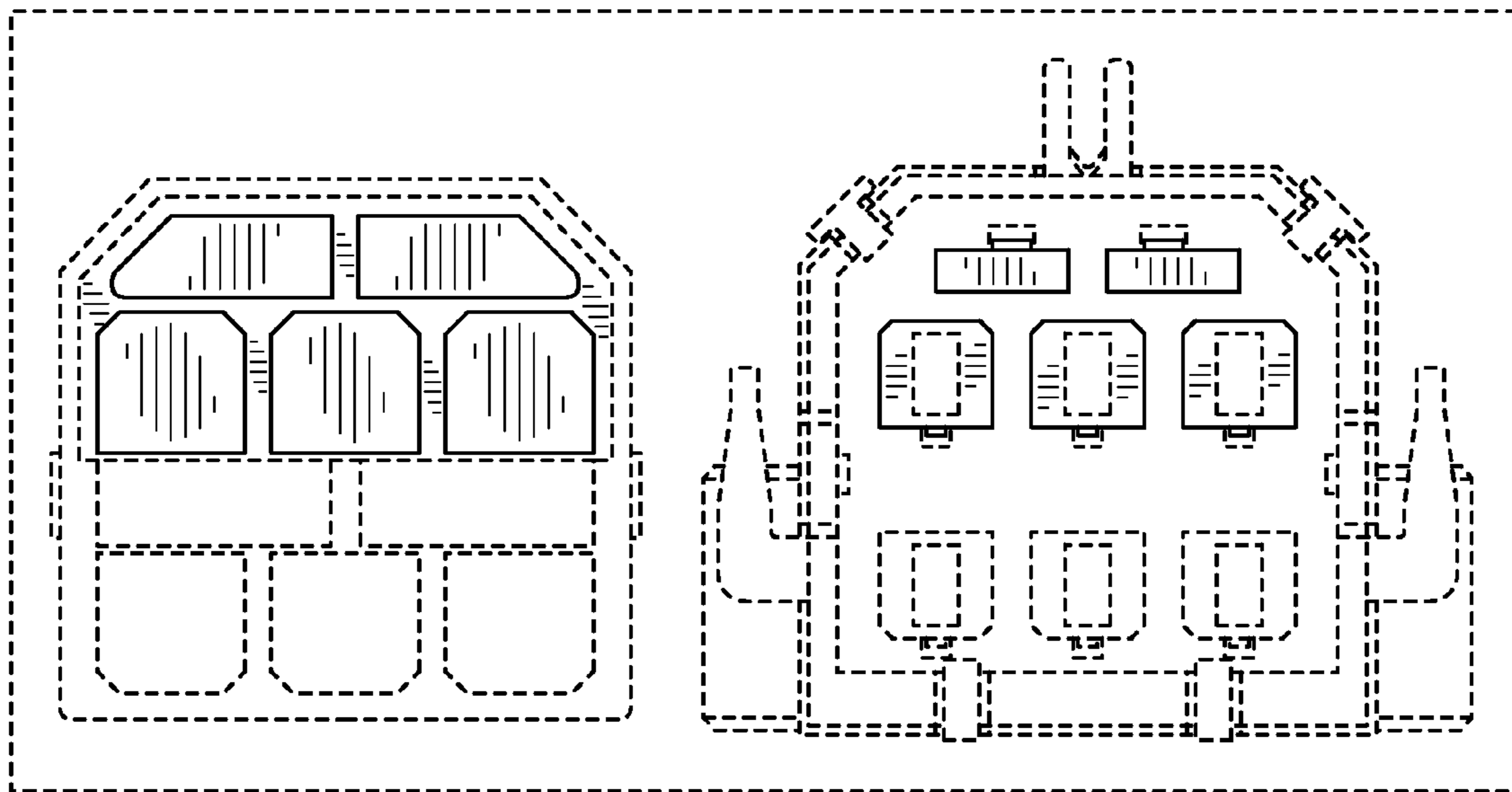


FIG. 5