



US00D574785S

(12) **United States Design Patent**
Victor

(10) **Patent No.:** **US D574,785 S**

(45) **Date of Patent:** **** Aug. 12, 2008**

(54) **CABLE CONNECTOR**

(76) Inventor: **Jay Victor**, 2017 Bataan Rd., Unit A,
Redondo Beach, CA (US) 90278

(**) Term: **14 Years**

(21) Appl. No.: **29/295,008**

(22) Filed: **Sep. 19, 2007**

(51) **LOC (8) Cl.** **13-03**

(52) **U.S. Cl.** **D13/154; D13/133**

(58) **Field of Classification Search** D13/133,
D13/146, 147, 153, 154, 156, 184, 199; 174/72 R;
439/489, 502, 505, 578, 584, 585, 625
See application file for complete search history.

(56) **References Cited**

U.S. PATENT DOCUMENTS

D371,762 S *	7/1996	Lee	D13/133
D413,569 S *	9/1999	Peterson et al.	D13/133
D528,507 S *	9/2006	Brown et al.	D13/133
D543,949 S *	6/2007	Victor	D13/154
D555,599 S *	11/2007	Victor	D13/154
D560,616 S *	1/2008	Victor	D13/154

* cited by examiner

Primary Examiner—Daniel D Bui
(74) *Attorney, Agent, or Firm*—Trojan Law Offices

(57) **CLAIM**

The ornamental design for a cable connector, as shown and described.

DESCRIPTION

FIG. 1 is a front perspective view of a cable connector, showing my new design;

FIG. 2 is a rear perspective view thereof;

FIG. 3 is a top view thereof; a bottom view thereof is a mirror image of the top view shown;

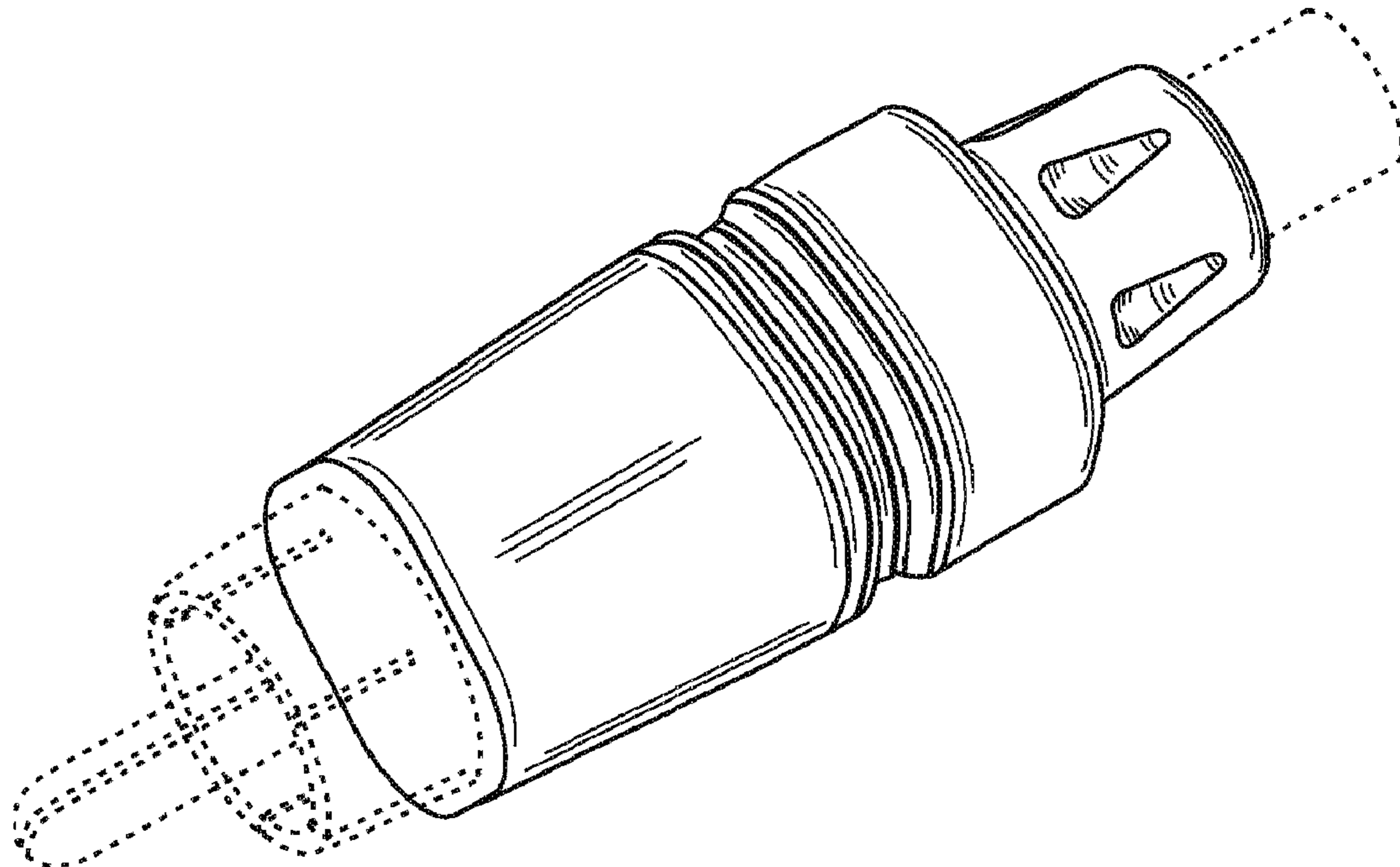
FIG. 4 is a side view thereof; the opposite side of the view shown in FIG. 4 is a mirror image of the side view shown;

FIG. 5 is a rear view thereof; and,

FIG. 6 is a front view thereof.

The broken line portion of the figure drawings is included to show unclaimed subject matter only and forms no part of the claimed design.

1 Claim, 4 Drawing Sheets



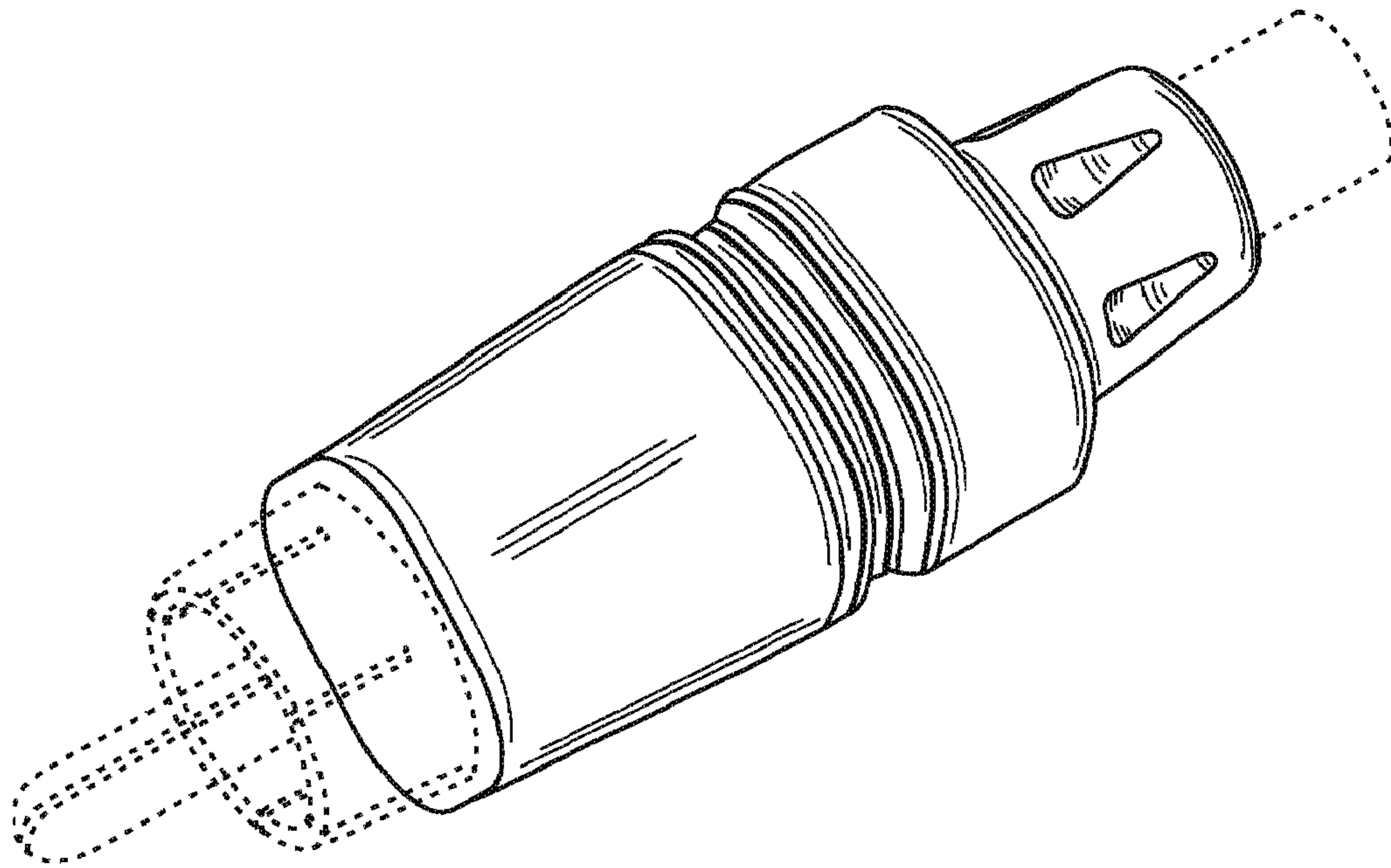


FIG. 1

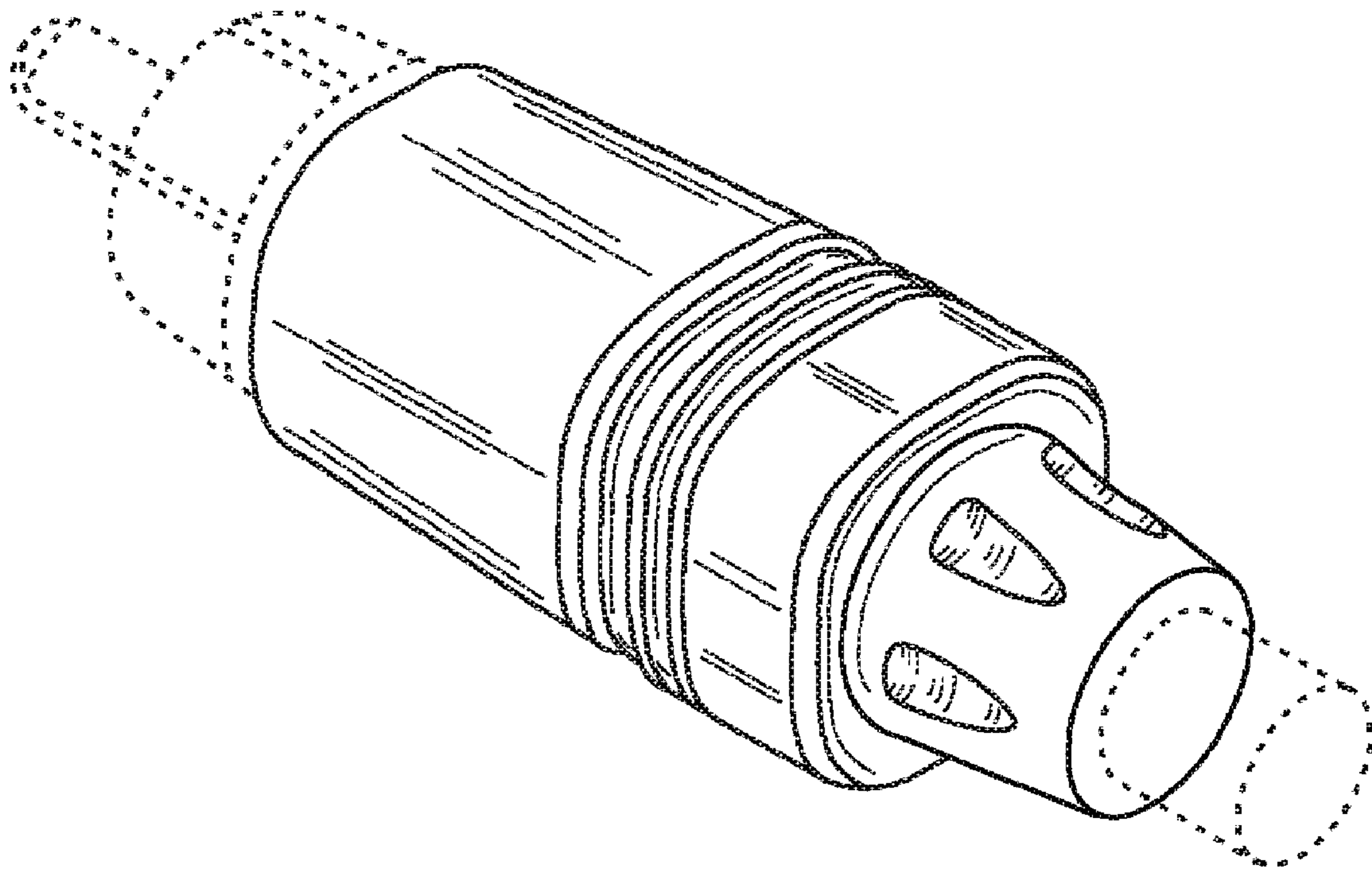


FIG. 2

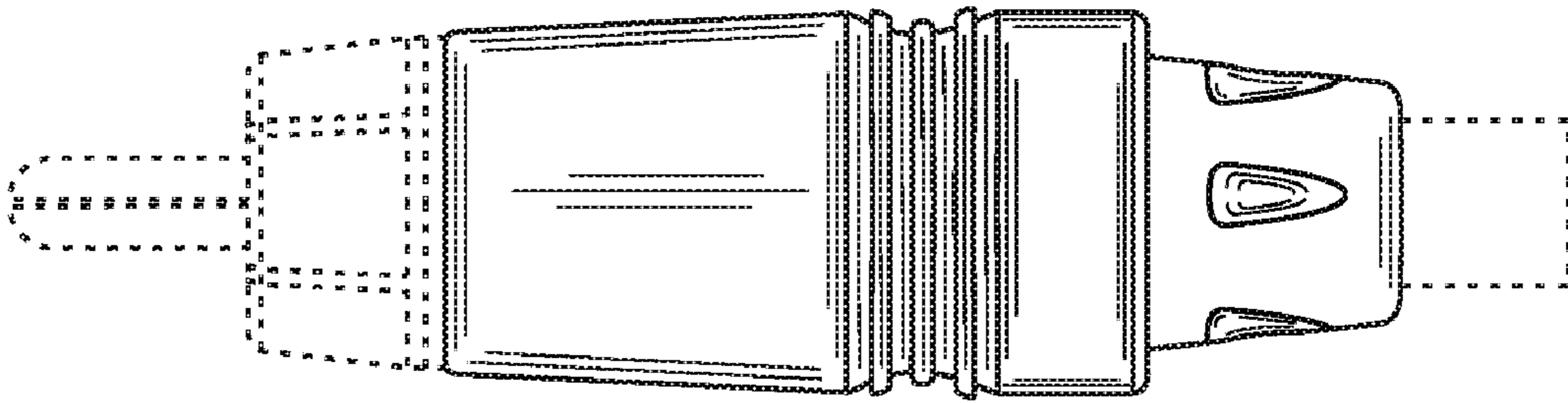


FIG. 3

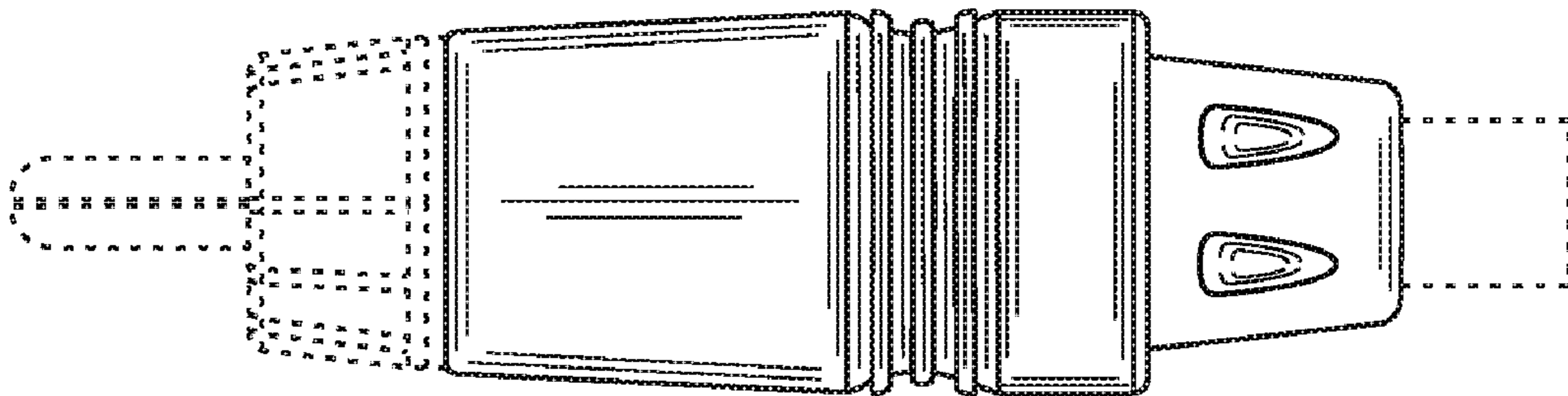


FIG. 4

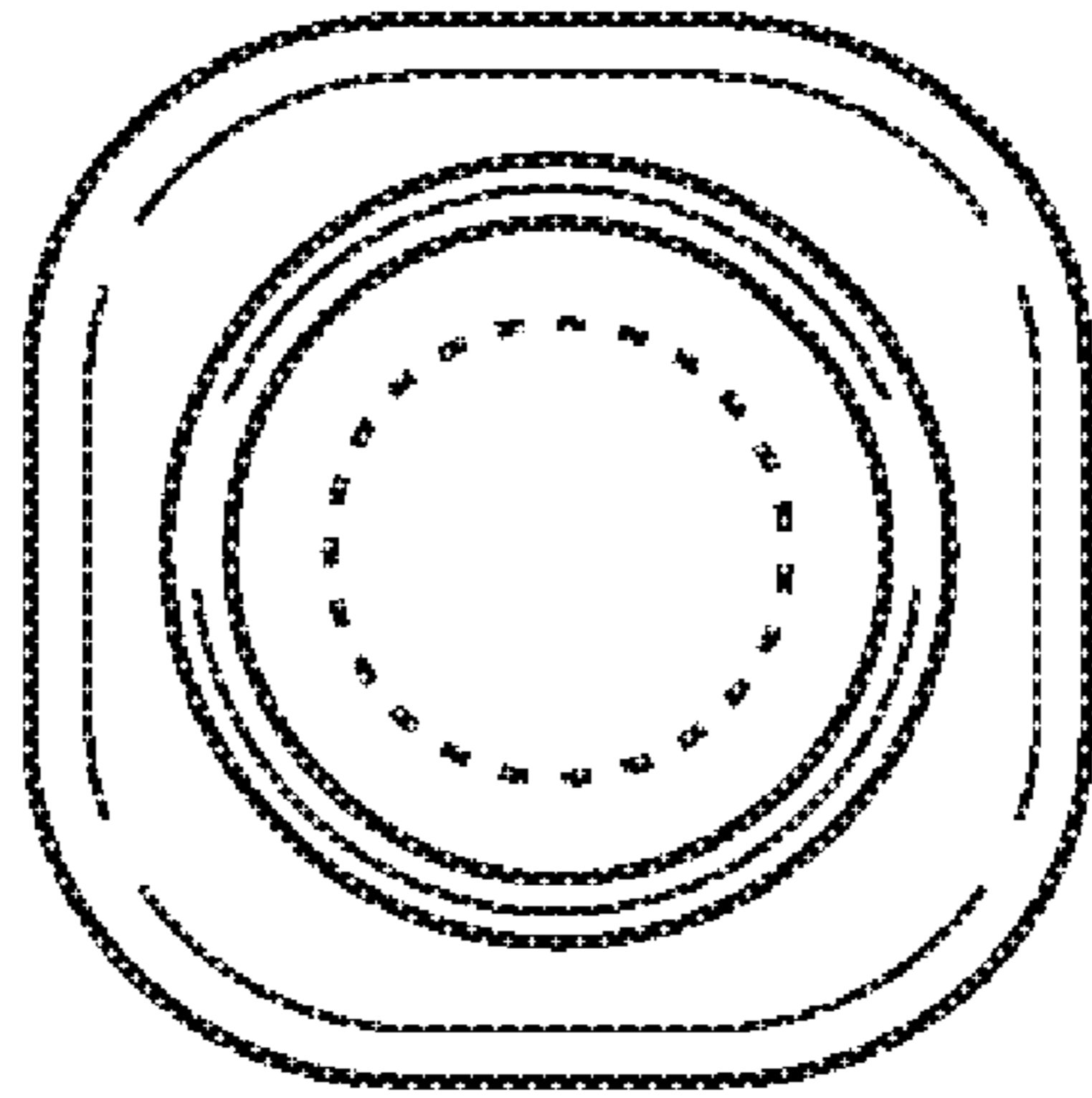


FIG. 5

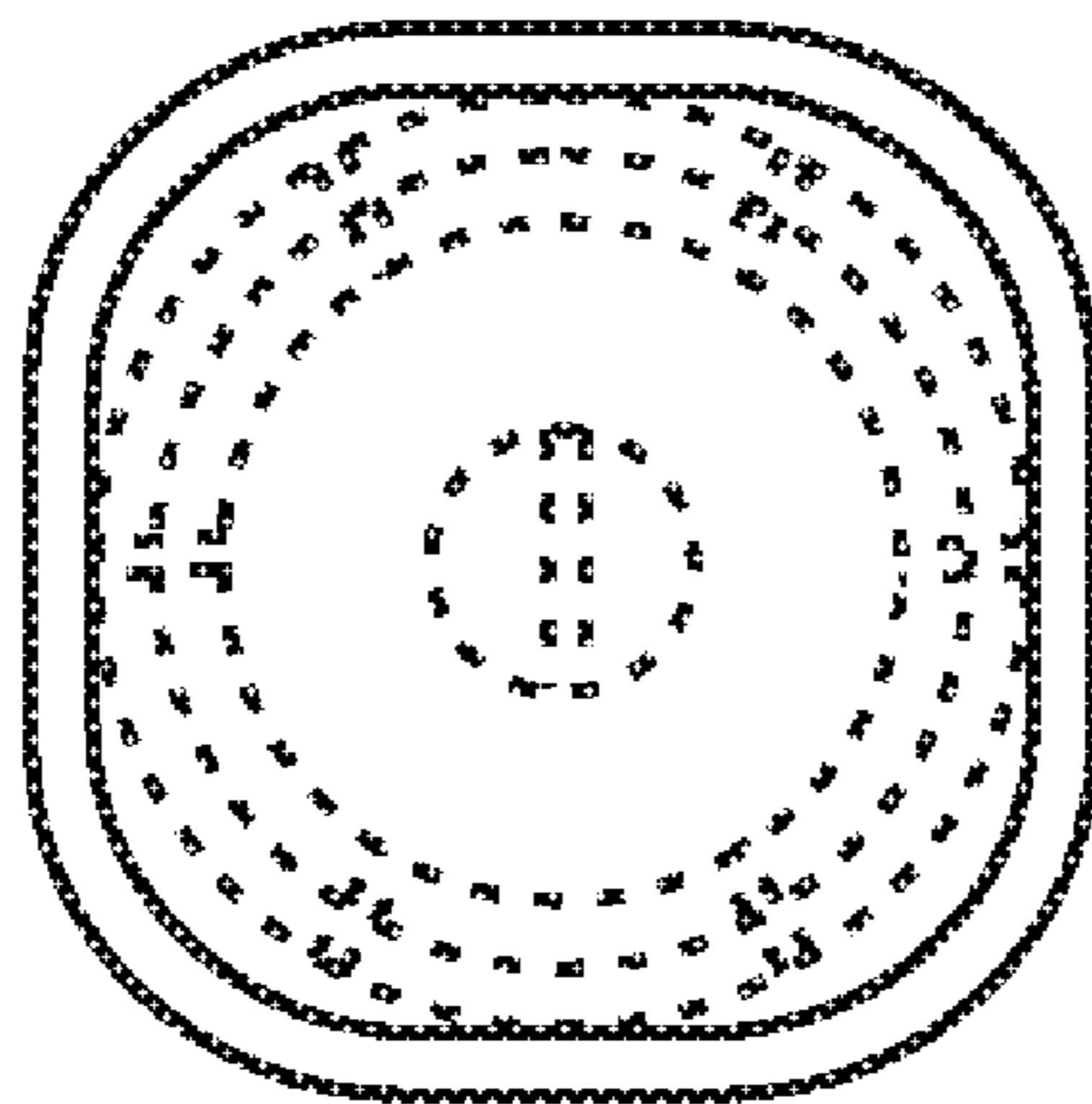


FIG. 6