



US00D574782S

(12) **United States Design Patent**  
**Chawgo et al.**

(10) **Patent No.:** **US D574,782 S**  
(45) **Date of Patent:** **\*\* Aug. 12, 2008**

(54) **OPEN COMPRESSION-TYPE COAXIAL  
CABLE CONNECTOR**

(75) Inventors: **Shawn Chawgo**, Cicero, NY (US);  
**Noah Montena**, Syracuse, NY (US)

(73) Assignee: **John Mezzalingua Assoc., Inc.**, East  
Syracuse, NY (US)

(\*\*) Term: **14 Years**

(21) Appl. No.: **29/277,081**

(22) Filed: **Feb. 13, 2007**

(51) **LOC (8) Cl.** ..... **13-03**

(52) **U.S. Cl.** ..... **D13/154; D13/151; D13/133**

(58) **Field of Classification Search** ..... D14/133,  
D14/151, 154, 184, 199; 174/75 C; 439/246,  
439/252, 306, 476.1, 578, 580, 583, 584,  
439/585, 805

See application file for complete search history.

(56) **References Cited**

**U.S. PATENT DOCUMENTS**

D233,991 S *	12/1974	Smith et al. ....	D13/151
D436,076 S *	1/2001	Montena .....	D13/133
D437,826 S *	2/2001	Montena .....	D13/133
D440,539 S *	4/2001	Montena .....	D13/133
D440,939 S *	4/2001	Montena .....	D13/133
D475,975 S *	6/2003	Fox .....	D13/151
D475,976 S	6/2003	Montena	
D505,391 S *	5/2005	Rodrigues et al. ....	D13/151

D513,736 S	1/2006	Fox	
D515,037 S	2/2006	Fox	
D518,772 S *	4/2006	Fox .....	D13/133
D519,451 S	4/2006	Fox	
D521,930 S	5/2006	Fox	
D535,259 S *	1/2007	Rodrigues et al. ....	D13/151
D561,691 S *	2/2008	Holliday .....	D13/133
2008/0064259 A1 *	3/2008	Amidon .....	439/578

\* cited by examiner

*Primary Examiner*—Daniel D Bui

(74) *Attorney, Agent, or Firm*—Melissa Bitting

(57) **CLAIM**

The ornamental design for an open compression-type coaxial cable connector, as shown and described.

**DESCRIPTION**

FIG. 1 is a perspective view of an open compression-type coaxial cable connector, in an open position, showing our new design;

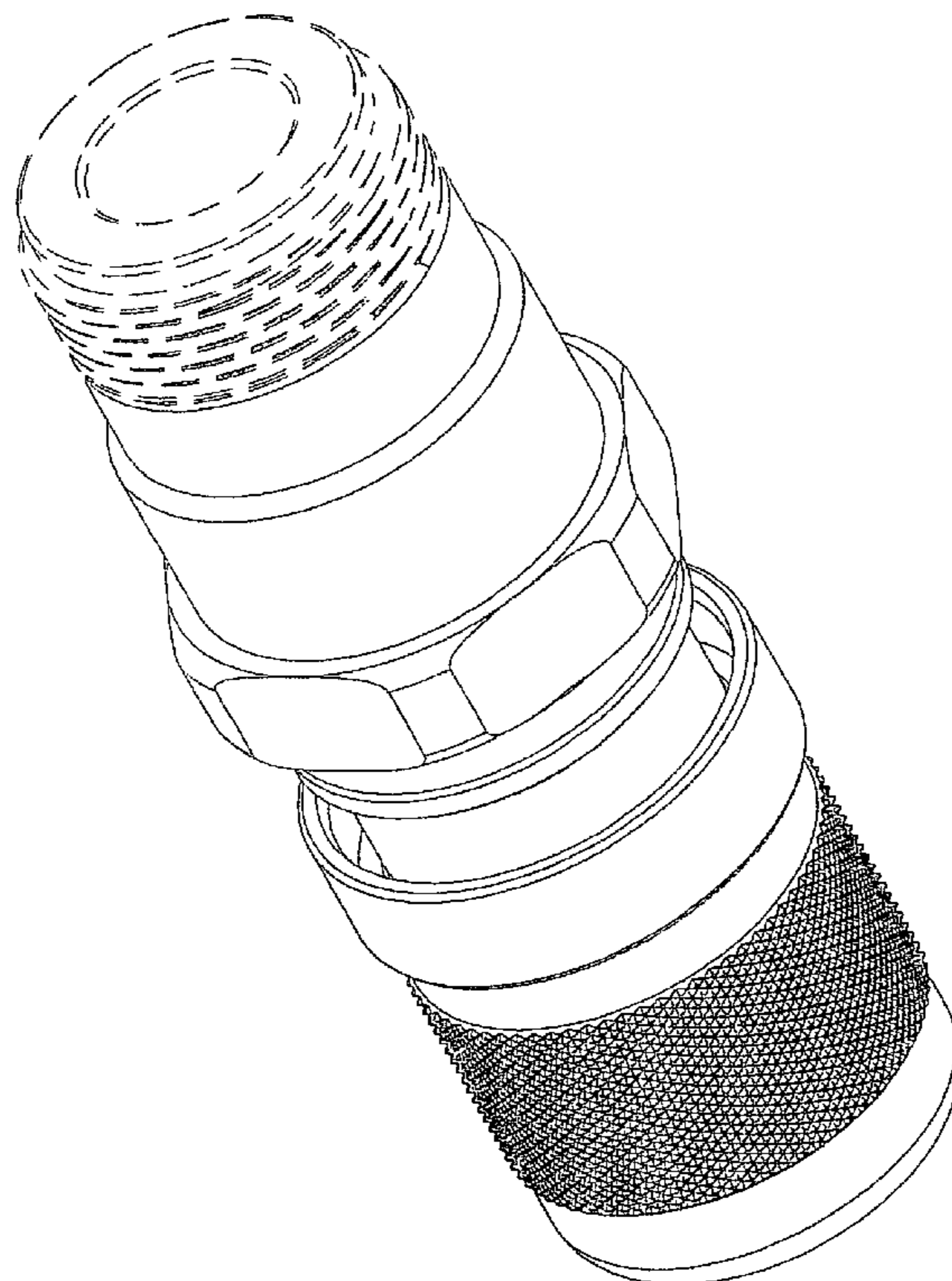
FIG. 2 is a side elevation view thereof, with the opposite side elevation view being a mirror image thereto;

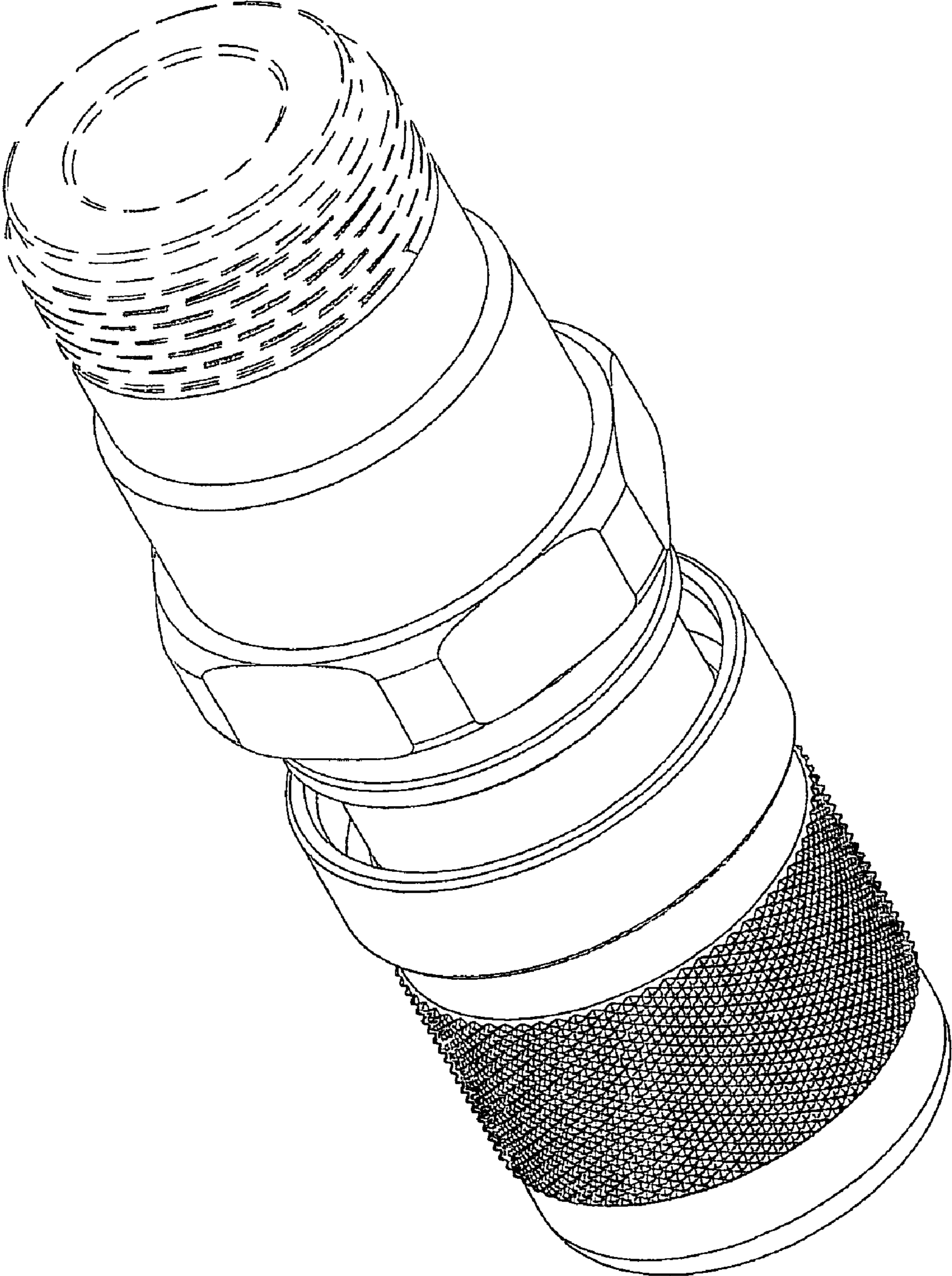
FIG. 3 is a top plan view thereof; and,

FIG. 4 is a bottom plan view thereof.

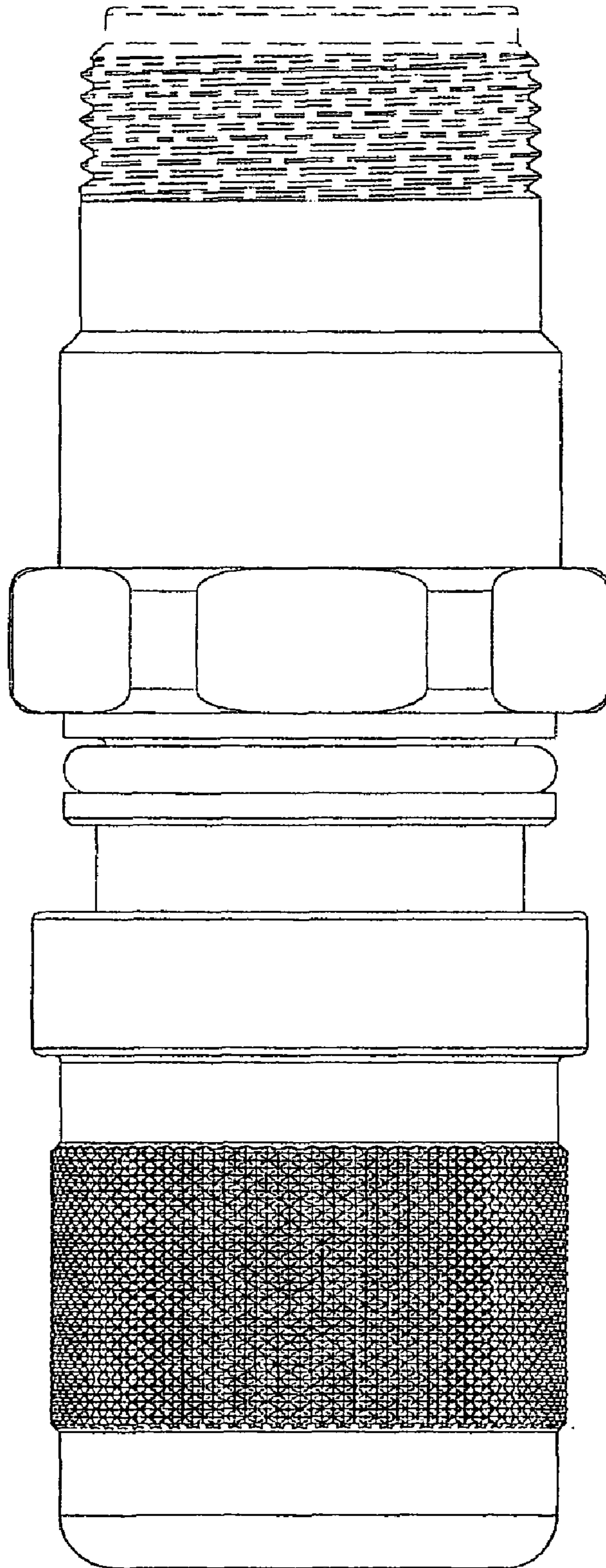
The broken line showing of unclaimed subject matter of the internal elements and the top threaded portion of the connector forms no part of the claimed design.

**1 Claim, 4 Drawing Sheets**



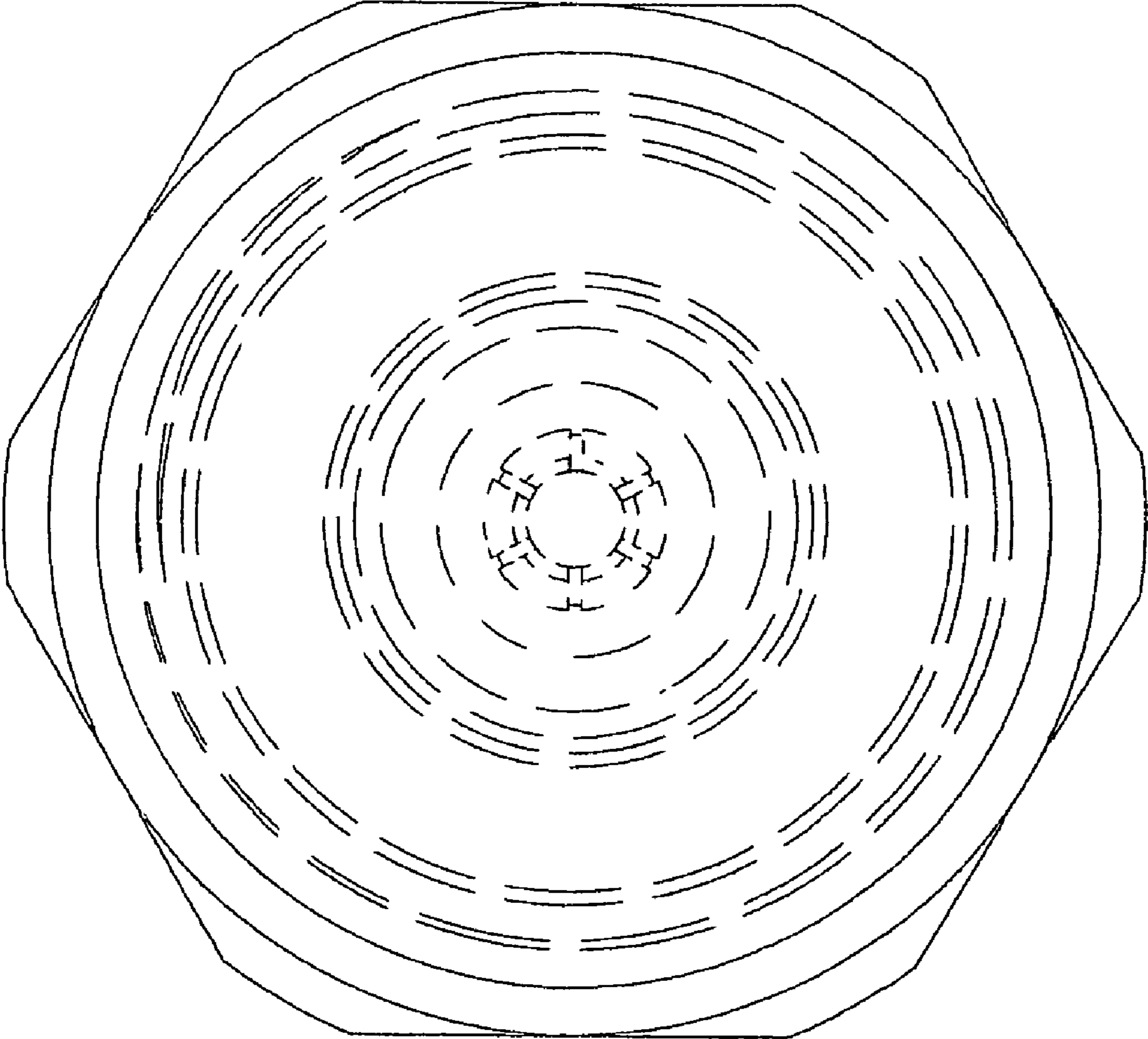


**FIG. 1**

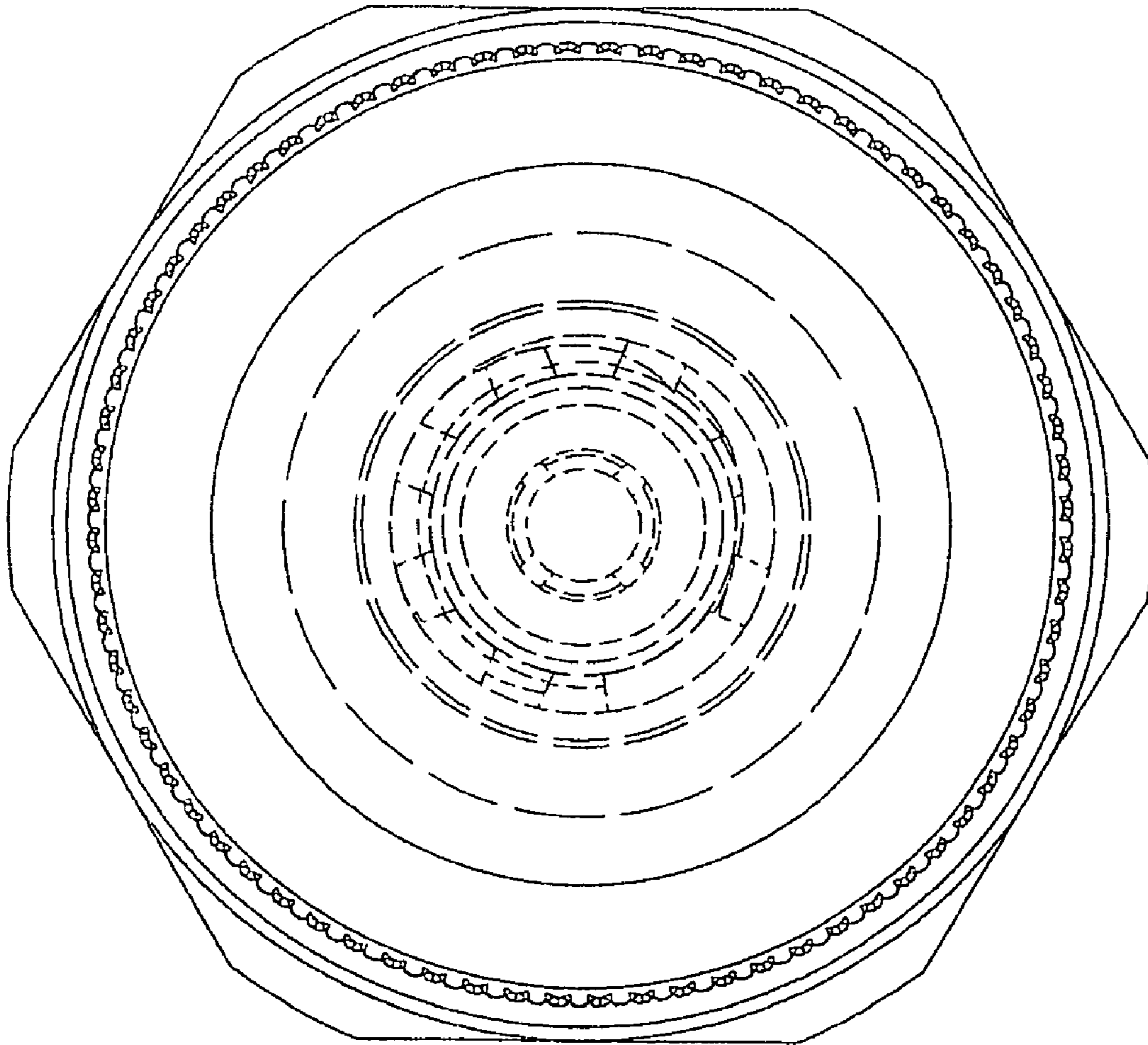


**FIG. 2**





**FIG. 3**



**FIG. 4**