



US00D574775S

(12) **United States Design Patent**  
**Amidon**

(10) **Patent No.:** **US D574,775 S**

(45) **Date of Patent:** **\*\* Aug. 12, 2008**

(54) **FIBER OPTIC CABLE CONNECTOR**

(75) Inventor: **Jeremy Amidon**, Marcellus, NY (US)

(73) Assignee: **John Mezzalingua Assoc., Inc.**, East Syracuse, NY (US)

(\*\*) Term: **14 Years**

(21) Appl. No.: **29/278,905**

(22) Filed: **Apr. 13, 2007**

(51) **LOC (8) Cl.** ..... **13-03**

(52) **U.S. Cl.** ..... **D13/133**

(58) **Field of Classification Search** ..... D13/123,  
D13/133, 146, 147, 149, 153, 154, 184, 199;  
439/489, 491, 502, 505, 578, 583, 584, 585,  
439/625, 668, 669, 675, 751, 825; 174/72 R  
See application file for complete search history.

(56) **References Cited**

**U.S. PATENT DOCUMENTS**

D381,628 S \* 7/1997 Ashida ..... D13/147  
D412,312 S \* 7/1999 Myers ..... D13/146

D435,830 S \* 1/2001 Cheng ..... D13/133

D461,448 S \* 8/2002 Amin ..... D13/133

D528,505 S 9/2006 Caveney

D556,688 S \* 12/2007 Shogaki et al. .... D13/133

D562,769 S \* 2/2008 Ashida et al. .... D13/133

\* cited by examiner

*Primary Examiner*—Daniel D Bui

*Assistant Examiner*—Thomas J Johannes

(74) *Attorney, Agent, or Firm*—Melissa Bitting

(57) **CLAIM**

I claim the ornamental design for a fiber optic cable connector, as shown and described.

**DESCRIPTION**

FIG. 1 is a perspective view of a fiber optic cable connector showing my new design;

FIG. 2 is a side elevation view thereof, with the opposite side elevation view being a mirror image thereto;

FIG. 3 is a top plan view thereof, in an enlarged scale; and,

FIG. 4 is a bottom plan view thereof, in an enlarged scale.

**1 Claim, 4 Drawing Sheets**

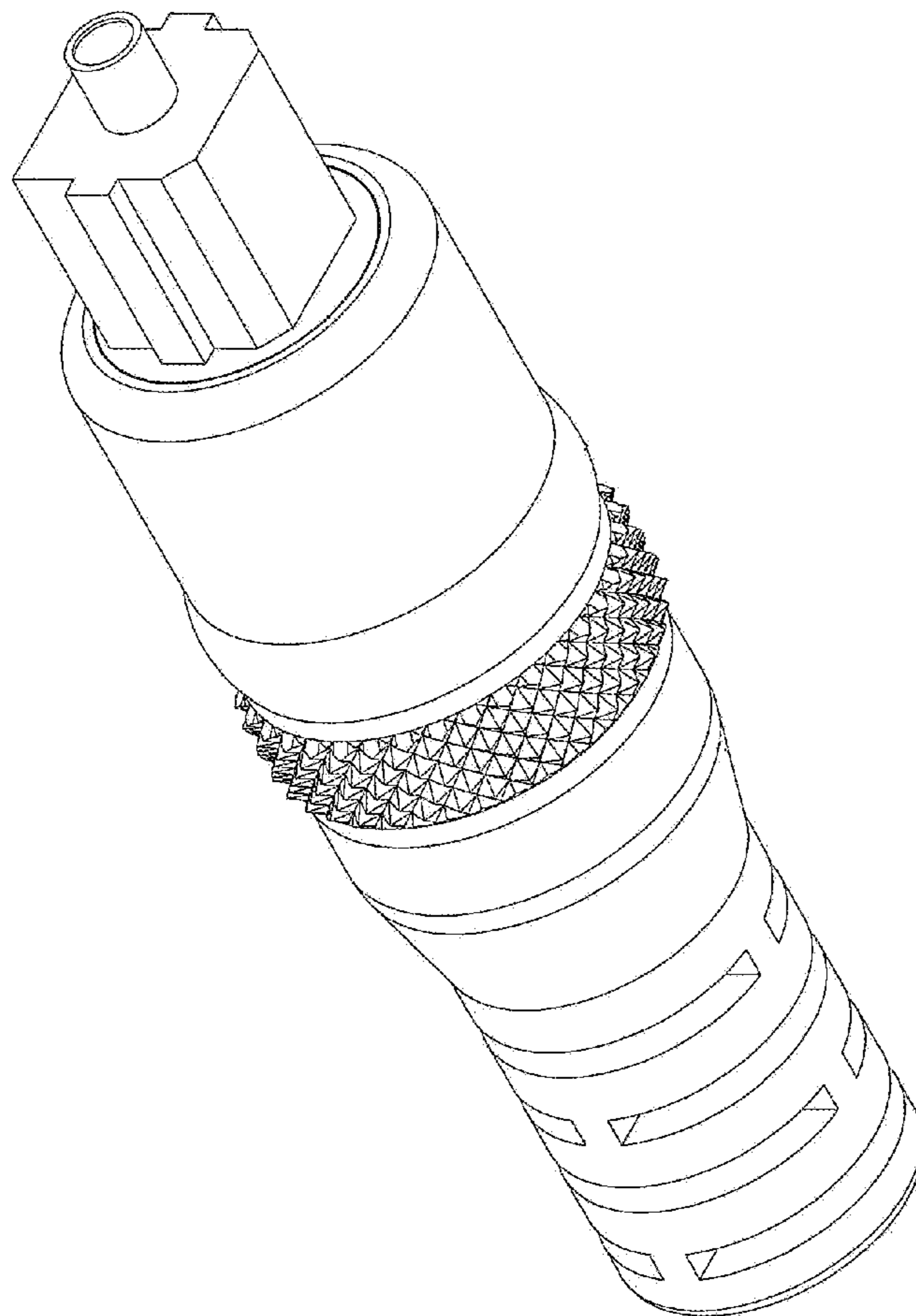


FIG. 1

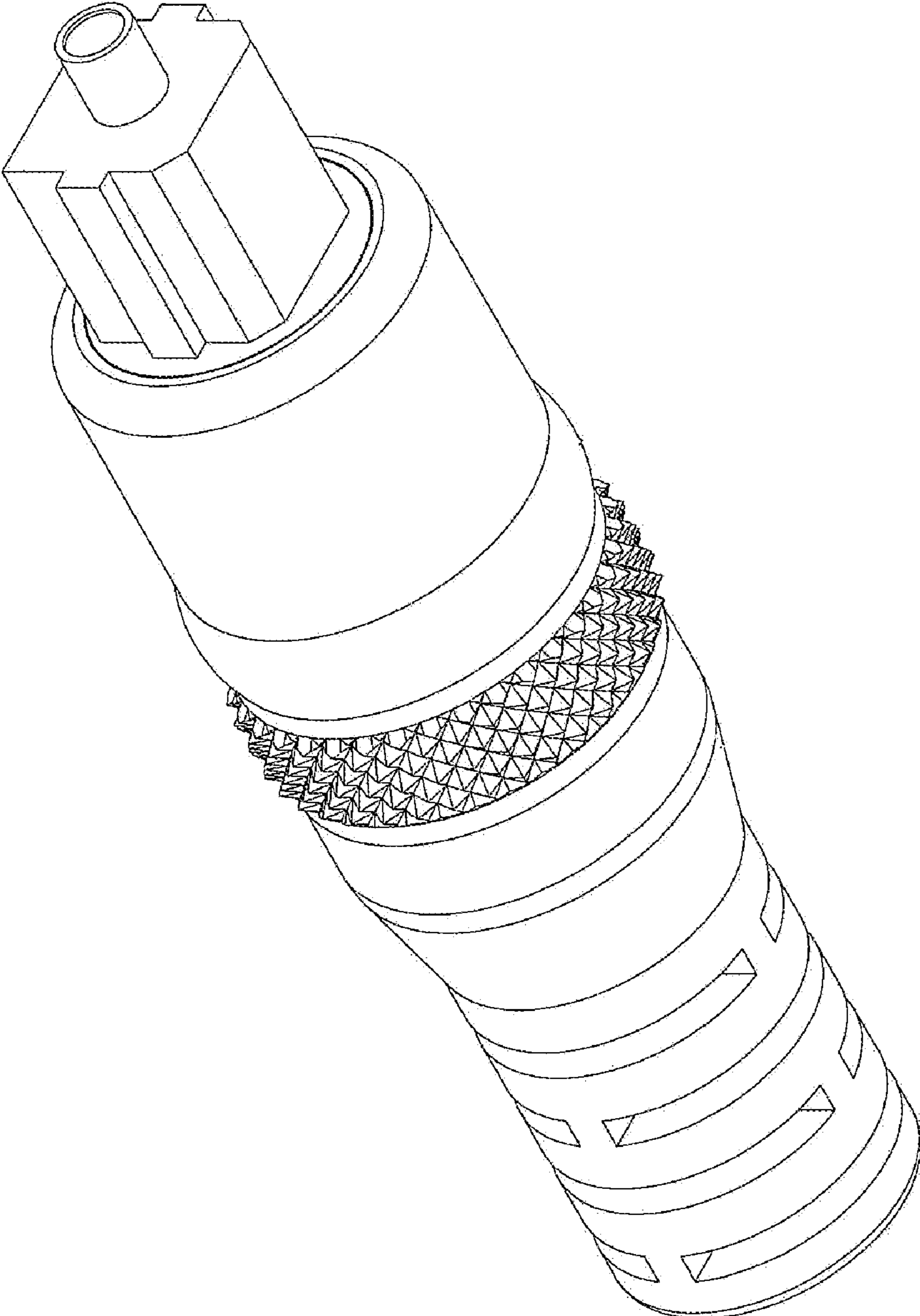


FIG. 2

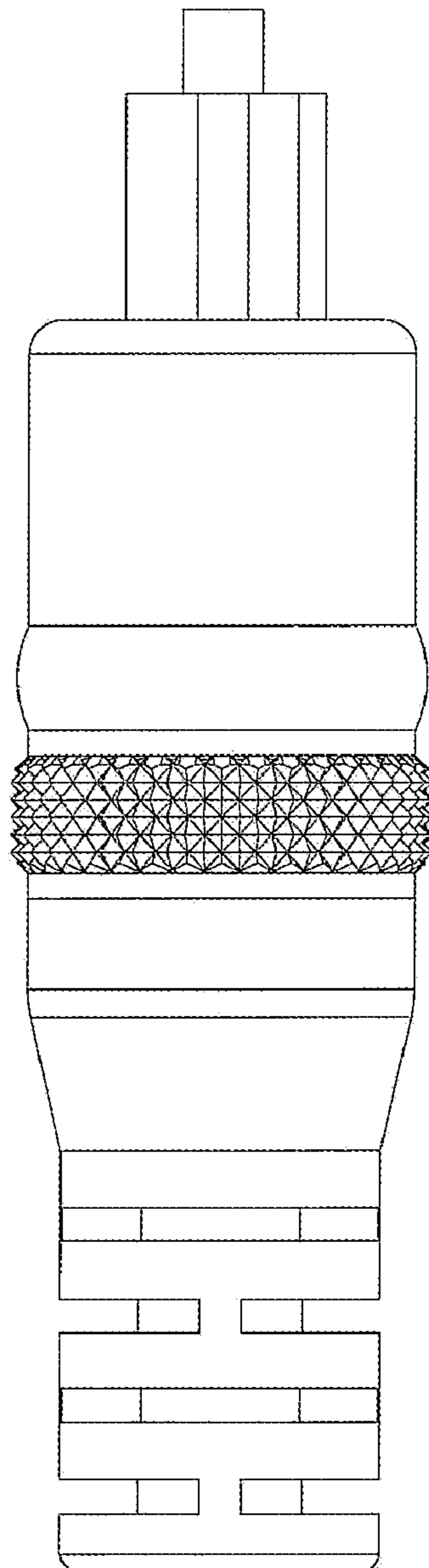


FIG. 3

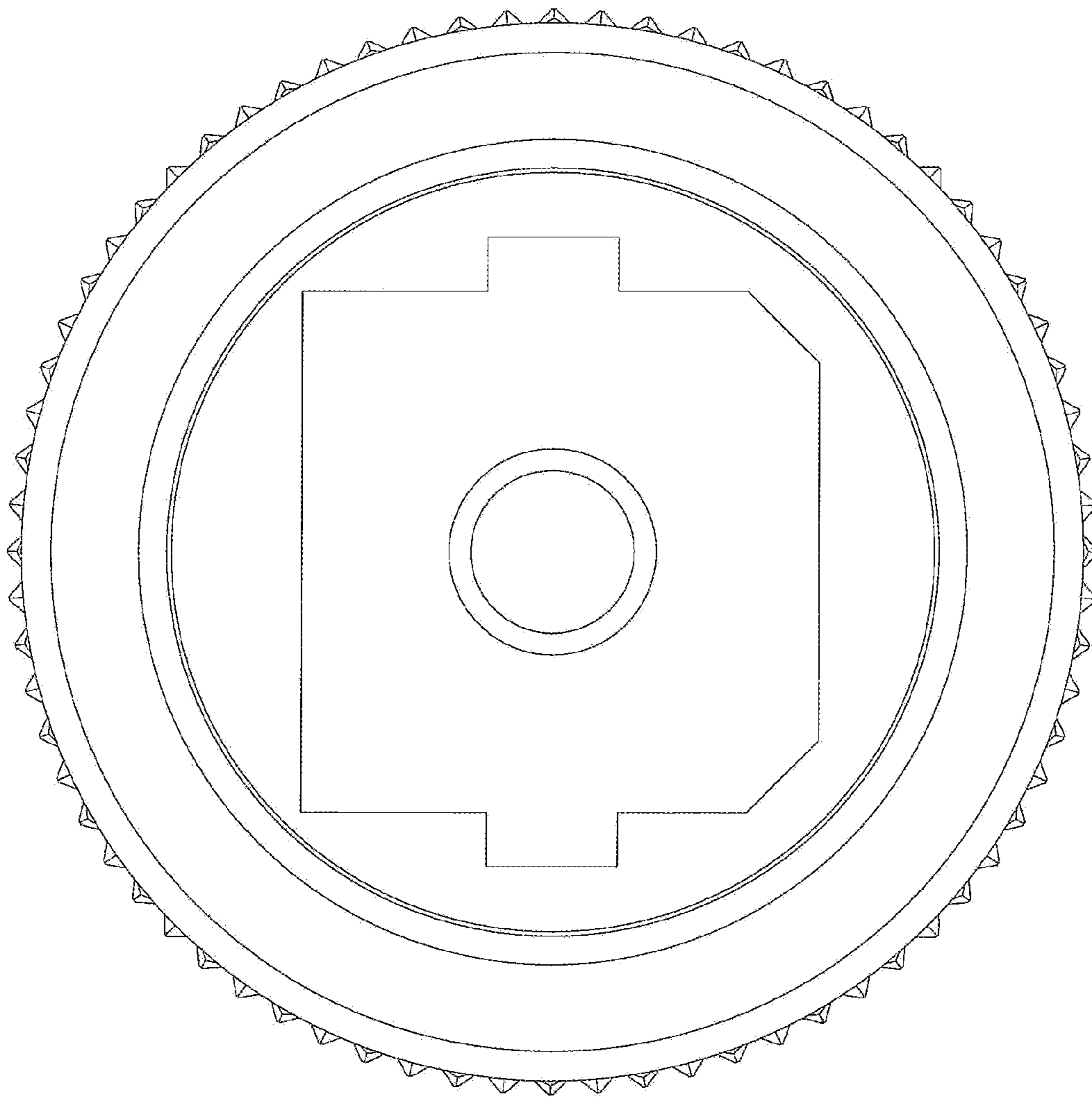


FIG. 4

