



US00D574774S

(12) **United States Design Patent**
Amidon

(10) **Patent No.:** **US D574,774 S**

(45) **Date of Patent:** **** Aug. 12, 2008**

(54) **LOCKING HDMI CONNECTOR**

(75) Inventor: **Jeremy Amidon**, Marcellus, NY (US)

(73) Assignee: **John Mezzalingua Assoc., Inc.**, East Syracuse, NY (US)

(**) Term: **14 Years**

(21) Appl. No.: **29/278,308**

(22) Filed: **Mar. 26, 2007**

(51) **LOC (8) Cl.** **13-03**

(52) **U.S. Cl.** **D13/133; D13/147**

(58) **Field of Classification Search** D13/133,
D13/146-147, 153, 154, 184; 439/79, 248,
439/258, 274, 476.1, 660, 607-610, 894
See application file for complete search history.

(56) **References Cited**

U.S. PATENT DOCUMENTS

D416,540 S *	11/1999	Sato et al.	D13/147
D437,291 S *	2/2001	Ohtani	D13/147
D482,330 S *	11/2003	Suzuki et al.	D13/147
D509,190 S	9/2005	Tsai	
D509,475 S	9/2005	Tsai	
D509,799 S	9/2005	Tsai	
D509,808 S	9/2005	Tsai	
D510,069 S	9/2005	Tsai	

D510,909 S	10/2005	Tsai	
D525,589 S *	7/2006	Wu	D13/147
D527,709 S *	9/2006	Kuo	D13/147
D531,127 S *	10/2006	Zhong et al.	D13/147
D537,780 S	3/2007	Suckle	
D543,156 S *	5/2007	Suckle	D13/154
D563,899 S *	3/2008	Goetz et al.	D13/154
2006/0121783 A1 *	6/2006	Wu et al.	439/607

* cited by examiner

Primary Examiner—Daniel D Bui

(74) *Attorney, Agent, or Firm*—Melissa Bitting

(57) **CLAIM**

The ornamental design for a locking HDMI connector, as shown and described.

DESCRIPTION

FIG. 1 is a top, front and right side perspective view of a locking HDMI connector, showing my new design;

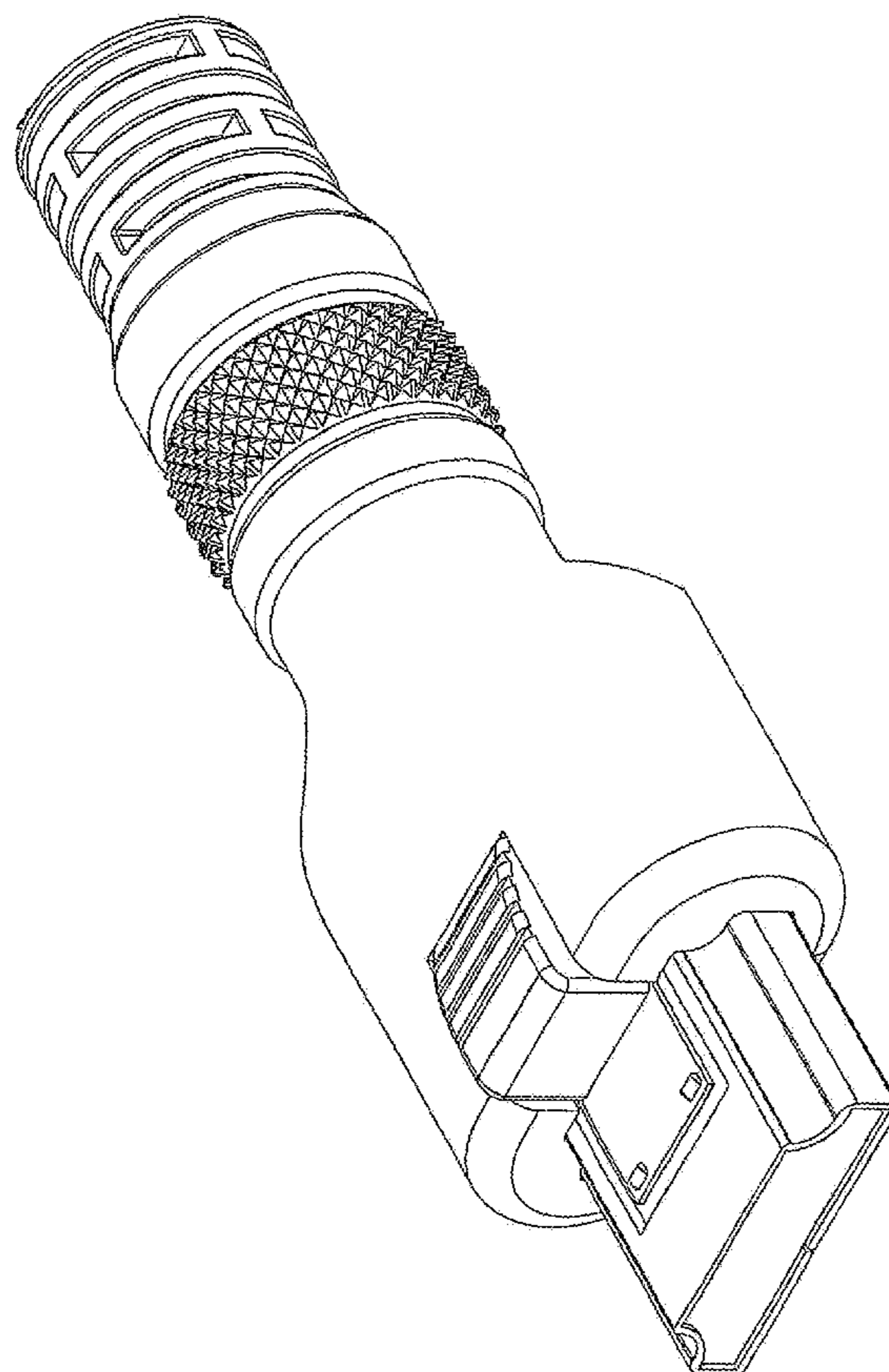
FIG. 2 is a right side elevation view thereof, with the opposite side elevation view being a mirror image thereto;

FIG. 3 is a top plan view thereof;

FIG. 4 is a front elevation view thereof, on an enlarged scale; and,

FIG. 5 is a rear elevation view thereof, on an enlarged scale.

1 Claim, 5 Drawing Sheets



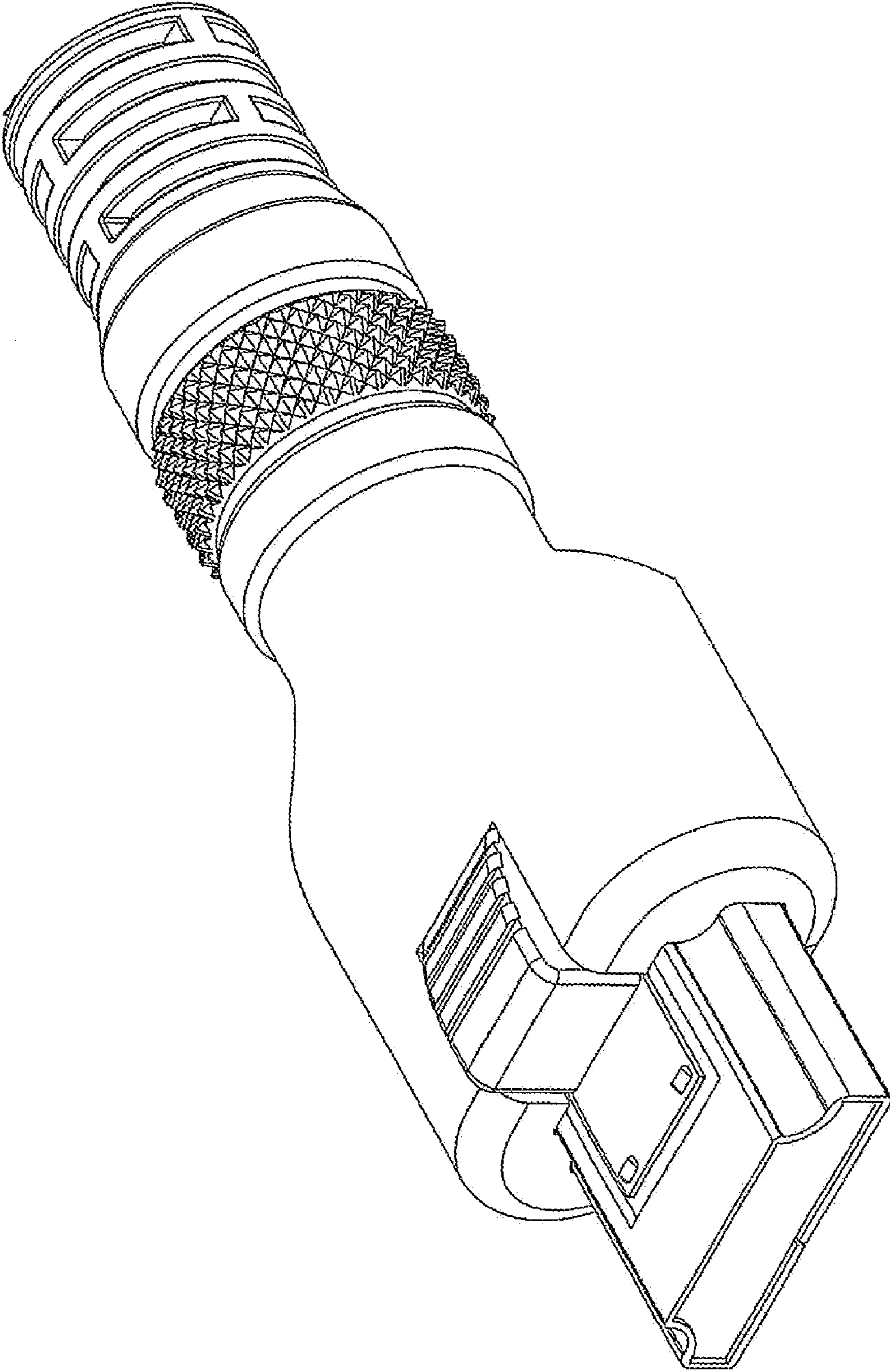


FIG. 1

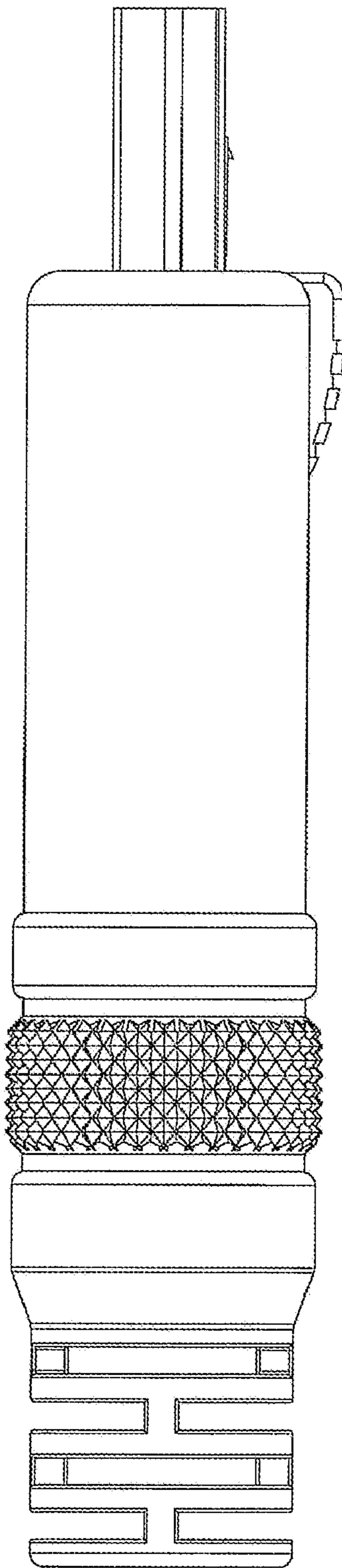


FIG. 2

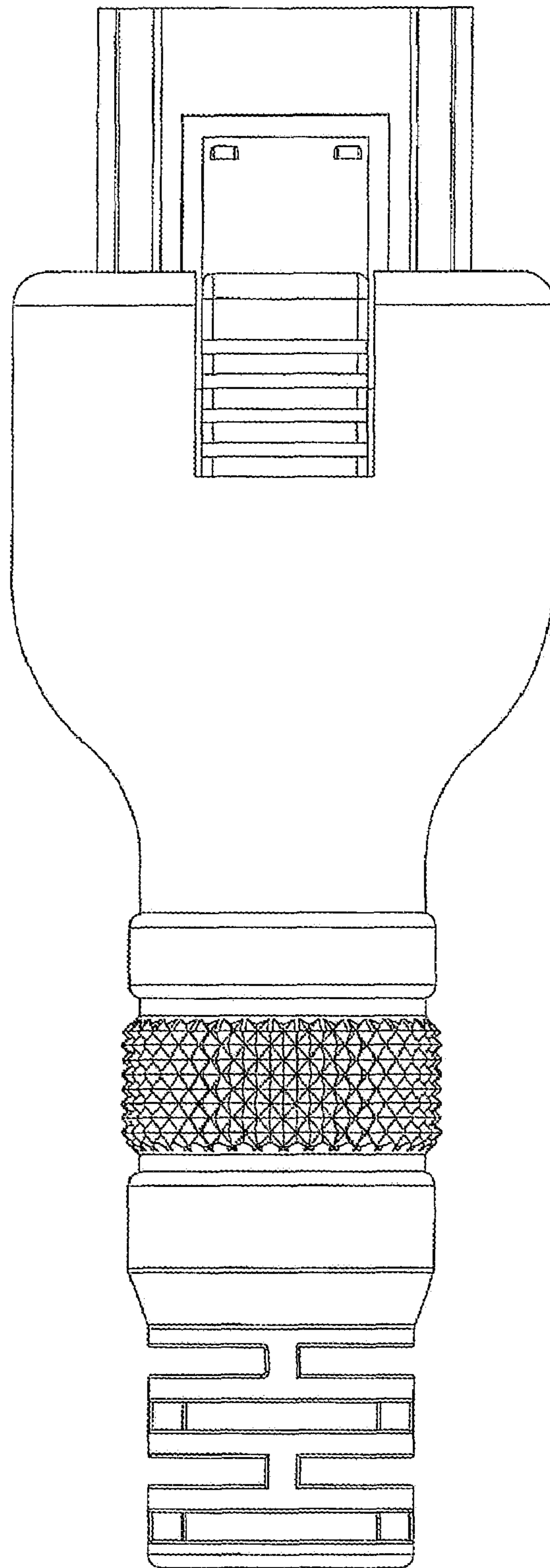


FIG. 3

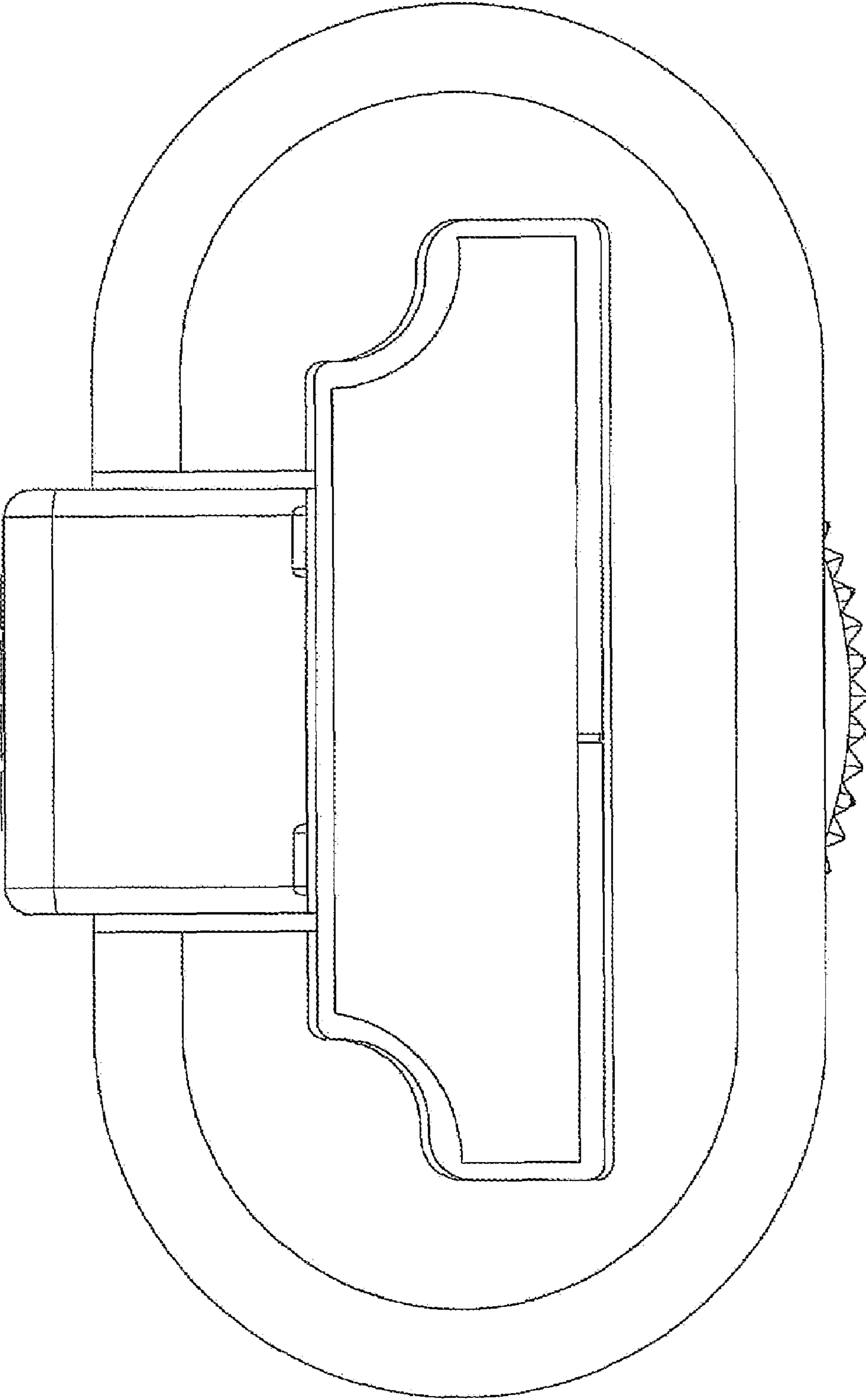


FIG. 4

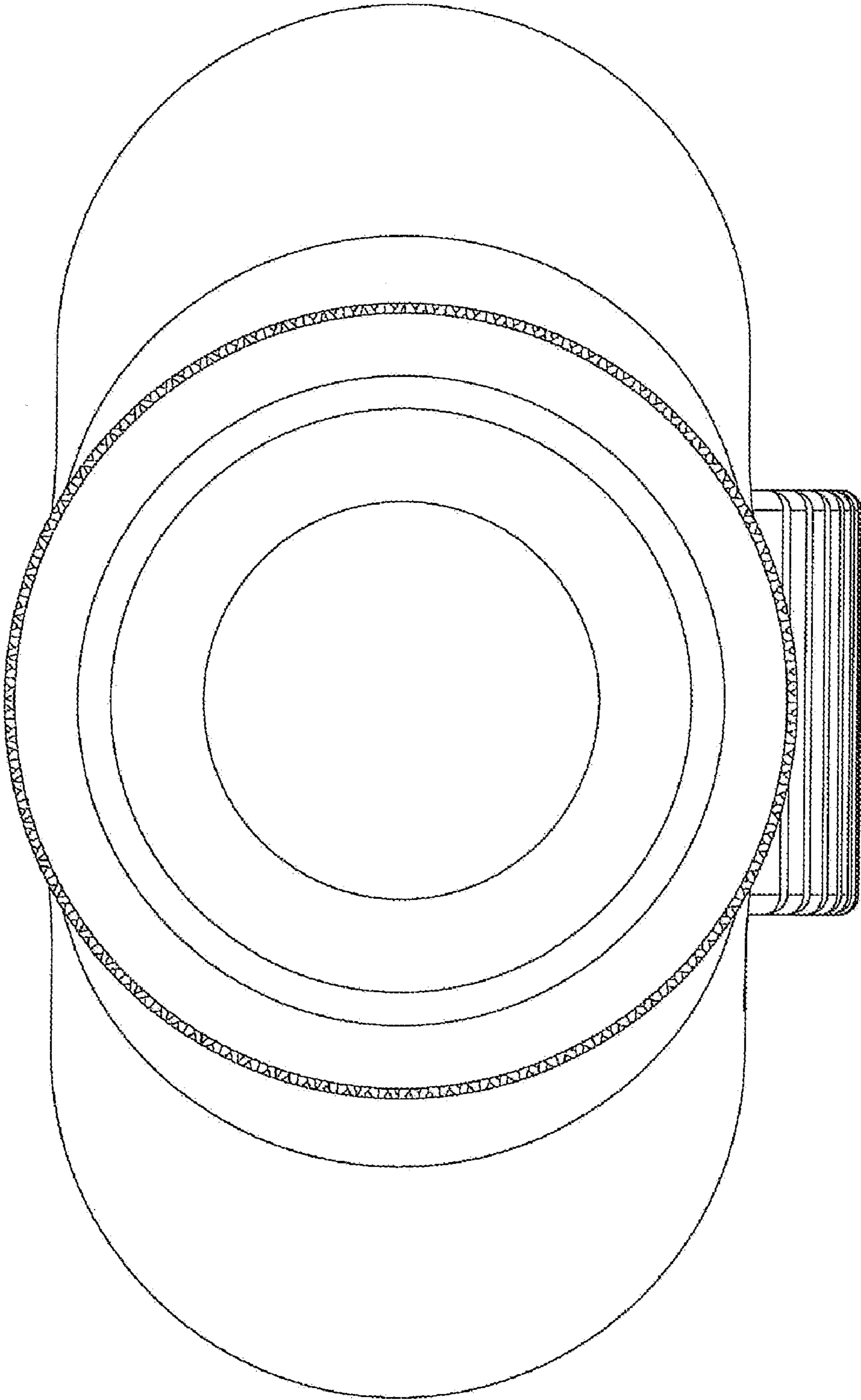


FIG. 5