



US00D574772S

(12) **United States Design Patent**  
**Sutter**

(10) **Patent No.:** **US D574,772 S**

(45) **Date of Patent:** **\*\* Aug. 12, 2008**

(54) **ELECTRICAL DISCONNECT WITH PUSH-IN CONNECTORS**

(75) Inventor: **Robert W. Sutter**, DeKalb, IL (US)

(73) Assignee: **IDEAL Industries, Inc.**, Sycamore, IL (US)

(\*\*) Term: **14 Years**

(21) Appl. No.: **29/275,985**

(22) Filed: **Jan. 11, 2007**

(51) **LOC (8) Cl.** ..... **13-03**

(52) **U.S. Cl.** ..... **D13/133**

(58) **Field of Classification Search** ..... D13/133,  
D13/146, 147, 154, 184, 199; 439/63, 108,  
439/352, 357, 358, 608, 731  
See application file for complete search history.

(56) **References Cited**

U.S. PATENT DOCUMENTS

D293,313 S *	12/1987	Justiano et al.	.....	D13/133
D319,998 S *	9/1991	Kozono	.....	D13/133
D327,870 S *	7/1992	Ohkura et al.	.....	D13/133
D328,278 S *	7/1992	Nagasaka et al.	.....	D13/133
D384,034 S *	9/1997	Kuprewicz et al.	.....	D13/133
D384,035 S *	9/1997	Kuprewicz et al.	.....	D13/133
D462,053 S *	8/2002	Kuroda et al.	.....	D13/133
D488,130 S *	4/2004	Hsiao	.....	D13/145

D527,345 S *	8/2006	Zhang	.....	D13/133
D537,781 S *	3/2007	Tamura	.....	D13/133
D561,101 S *	2/2008	Sakamoto	.....	D13/133
7,326,074 B1 *	2/2008	Lim et al.	.....	439/352

\* cited by examiner

*Primary Examiner*—Daniel D Bui

*Assistant Examiner*—Thomas J Johannes

(74) *Attorney, Agent, or Firm*—Cook Alex Ltd.

(57) **CLAIM**

The ornamental design for an electrical disconnect with push-in connectors, as shown and described.

**DESCRIPTION**

FIG. 1 is a perspective view of my new design for an electrical disconnect with push-in connectors;

FIG. 2 is a top plan view thereof;

FIG. 3 is a bottom plan view thereof;

FIG. 4 is a right end elevation view thereof;

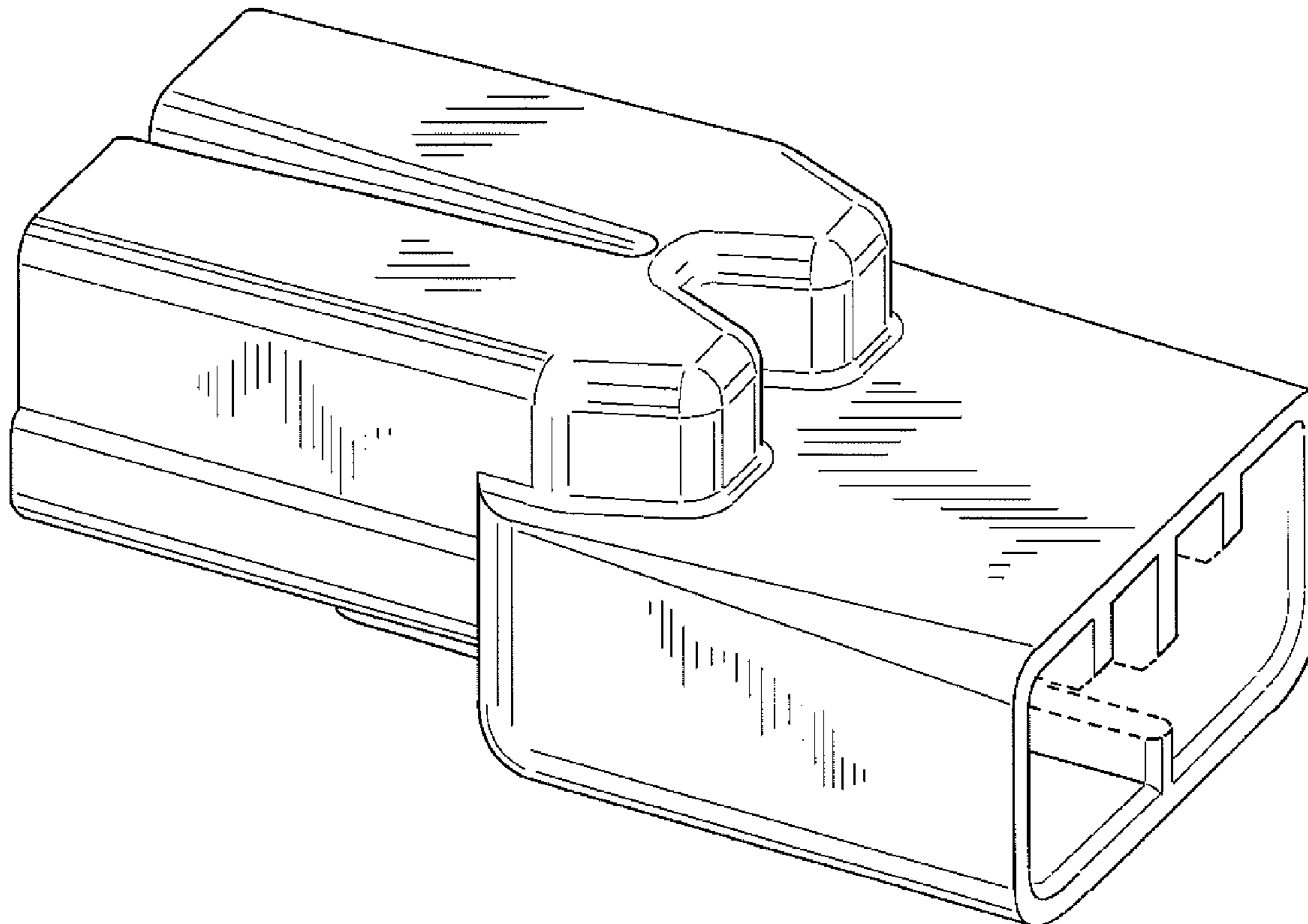
FIG. 5 is a left end elevation view thereof;

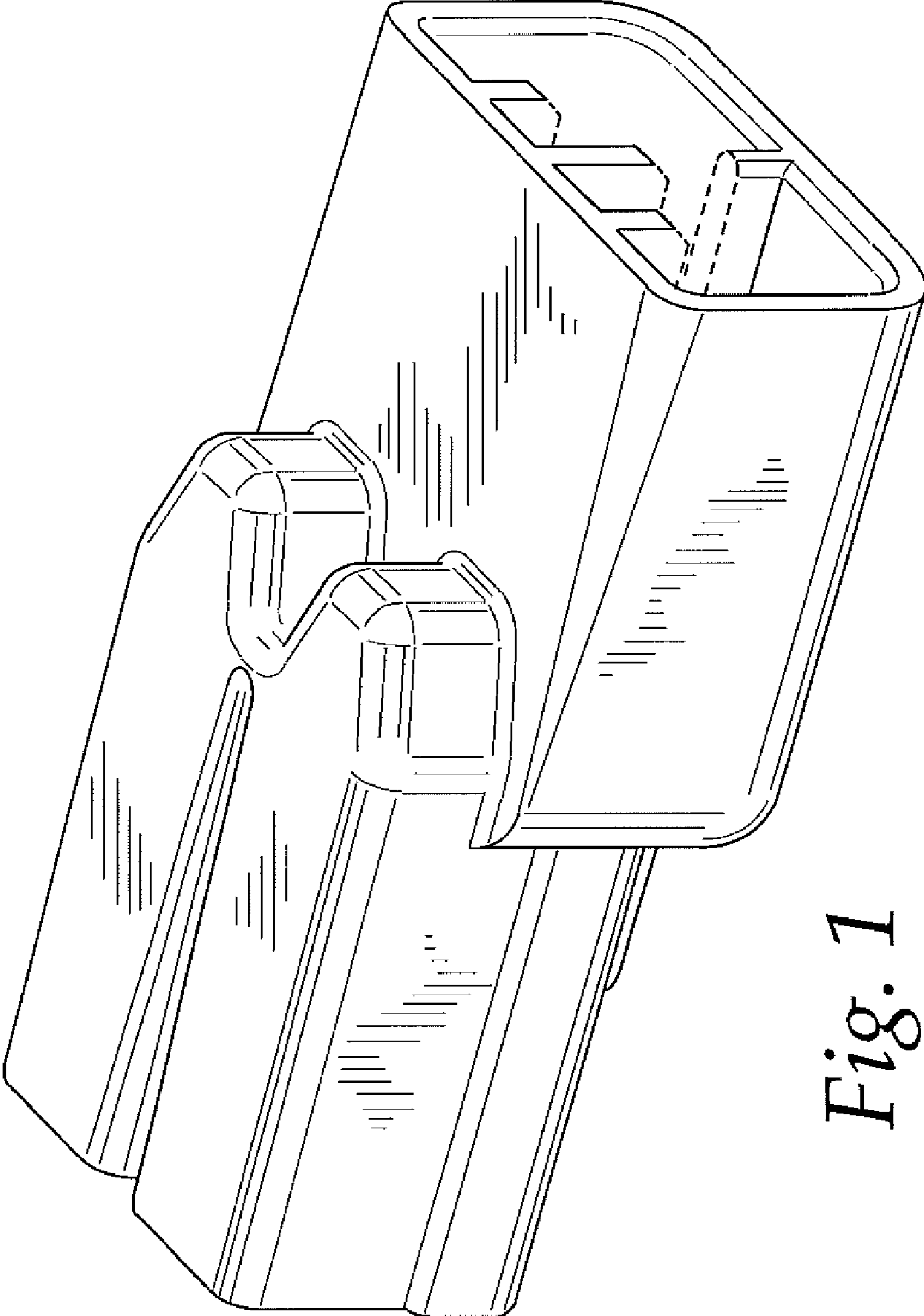
FIG. 6 is a rear elevation view thereof; and,

FIG. 7 is a front elevation view thereof.

The broken line showing in the figure drawings is included for illustrative purposes only and forms no part of the claimed design.

**1 Claim, 2 Drawing Sheets**





*Fig. 1*

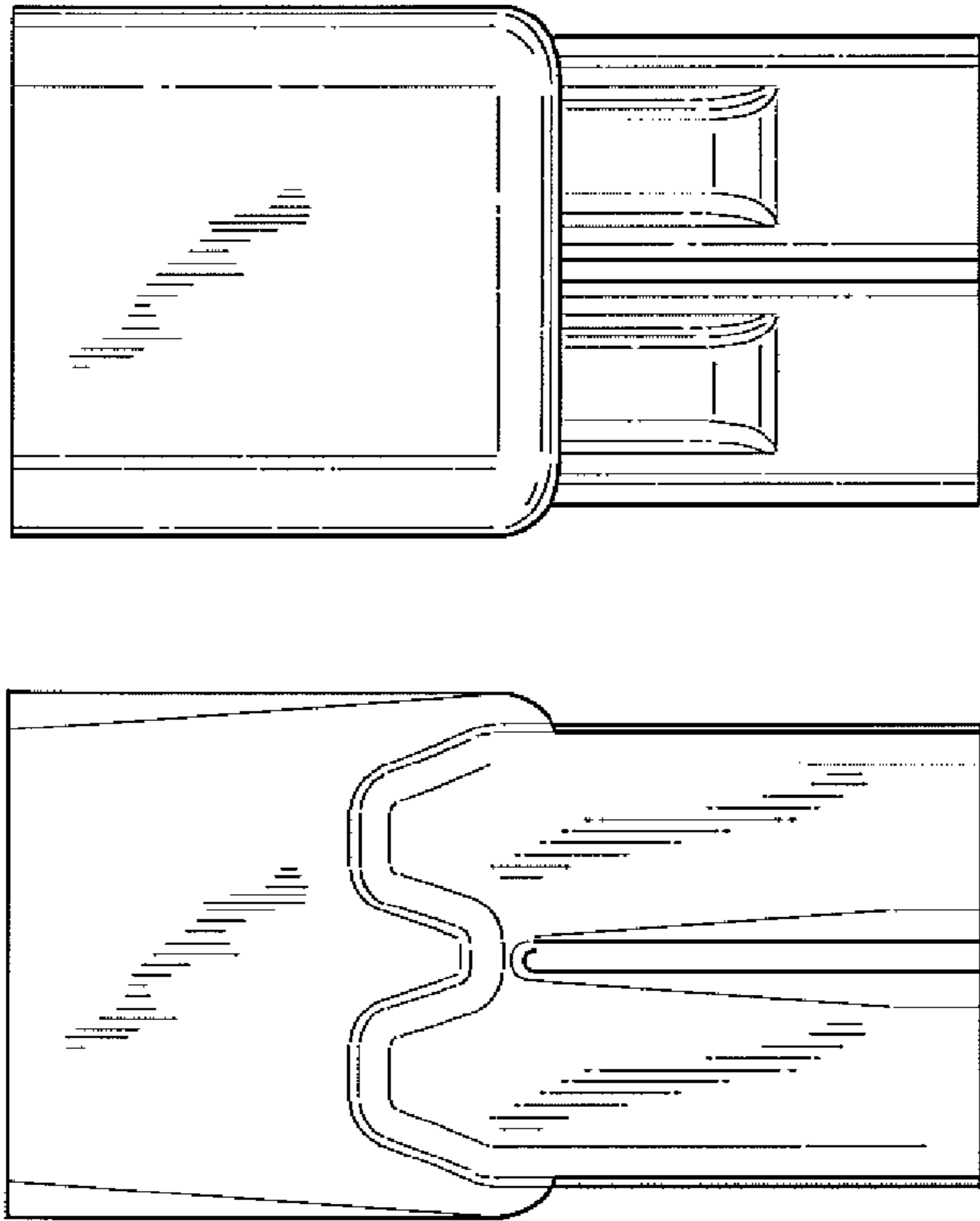


Fig. 2

Fig. 3

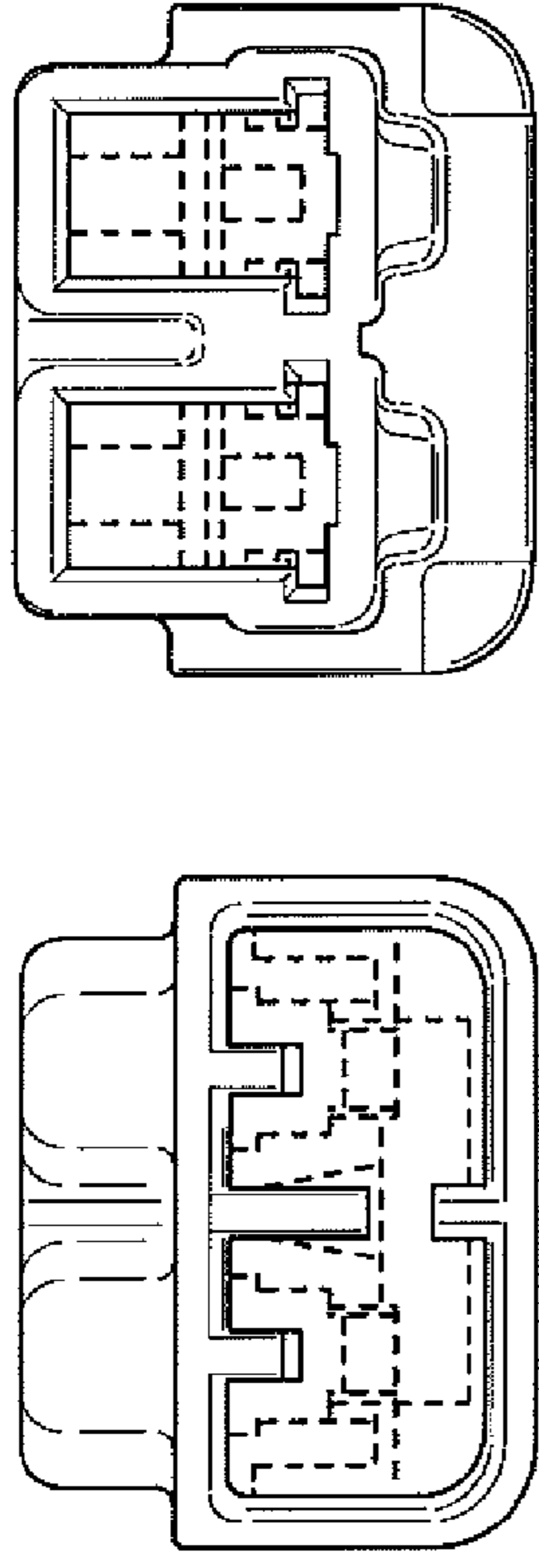


Fig. 4

Fig. 5

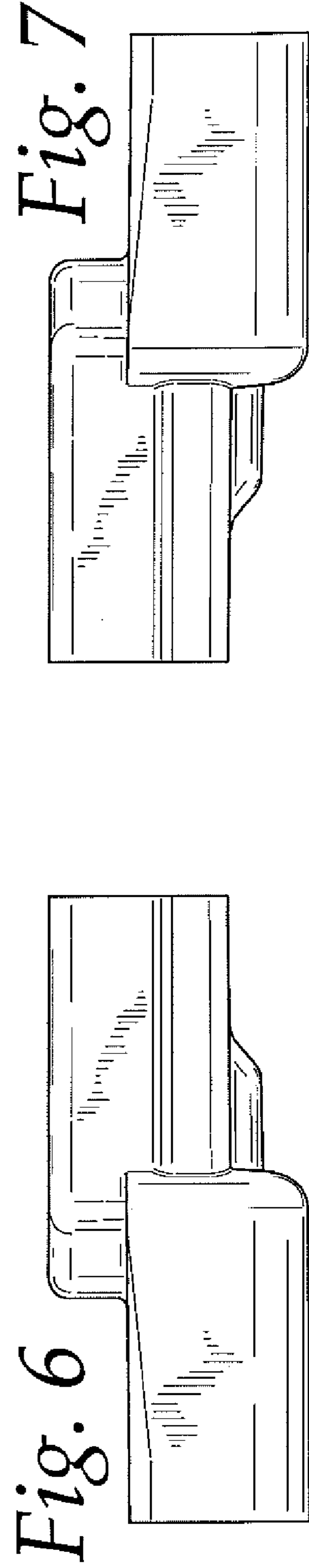


Fig. 6

Fig. 7