

US00D574771S

(12) **United States Design Patent**
Flanigan

(10) **Patent No.:** **US D574,771 S**

(45) **Date of Patent:** **** Aug. 12, 2008**

(54) **CABINET**

(75) **Inventor:** **Galen D. Flanigan**, New Holstein, WI (US)

(73) **Assignee:** **Kohler Co.**, Kohler, WI (US)

(**) **Term:** **14 Years**

(21) **Appl. No.:** **29/250,495**

(22) **Filed:** **Nov. 17, 2006**

(51) **LOC (8) Cl.** **13-01**

(52) **U.S. Cl.** **D13/122**

(58) **Field of Classification Search** D13/122,
D13/110, 112, 118, 184, 199; D3/272; D6/396,
D6/441; D9/420, 424; D12/414, 423; 290/1 A;
296/37.1; 312/319

See application file for complete search history.

(56) **References Cited**

U.S. PATENT DOCUMENTS

D205,045	S	*	6/1966	Neill	D8/380
3,717,805	A	*	2/1973	Gnaedinger et al.	363/13
4,167,298	A	*	9/1979	Plattner	312/290
D254,846	S	*	4/1980	Wood	D13/110
D332,942	S	*	2/1993	Julien	D13/184
D339,934	S	*	10/1993	Reuter	D6/441
D361,538	S	*	8/1995	Hill et al.	D13/110
D414,460	S	*	9/1999	Hughes	D13/110
D430,103	S	*	8/2000	Scudder	D12/414.1
6,557,958	B1	*	5/2003	Motta et al.	312/319.2
6,756,693	B2		6/2004	Kennedy		
6,812,582	B2	*	11/2004	Kennedy	290/1 A
7,049,707	B2		5/2006	Wurtele		

OTHER PUBLICATIONS

Brochure for the AXP 1000 Auxiliary Power Unit, made by Energy and Engine Technology Corporation, Plano Texas from internet site www.axp1000.com, 5 Pages, dated Jun. 22, 2006.

* cited by examiner

Primary Examiner—Prabhakar Deshmukh

Assistant Examiner—Derrick Holland

(74) *Attorney, Agent, or Firm*—Quarles & Brady; George E. Haas

(57) **CLAIM**

The ornamental design for a cabinet, as shown and described.

DESCRIPTION

In a preferred embodiment, the nature of this product is as a cabinet that encloses an engine-electrical generator set.

FIG. 1 is a right, top, front perspective view of a cabinet embodying my new design;

FIG. 2 is a front elevational view thereof;

FIG. 3 is a left side elevational view thereof;

FIG. 4 is a right side elevational view thereof;

FIG. 5 is a top plan view thereof;

FIG. 6 is a bottom plan view thereof;

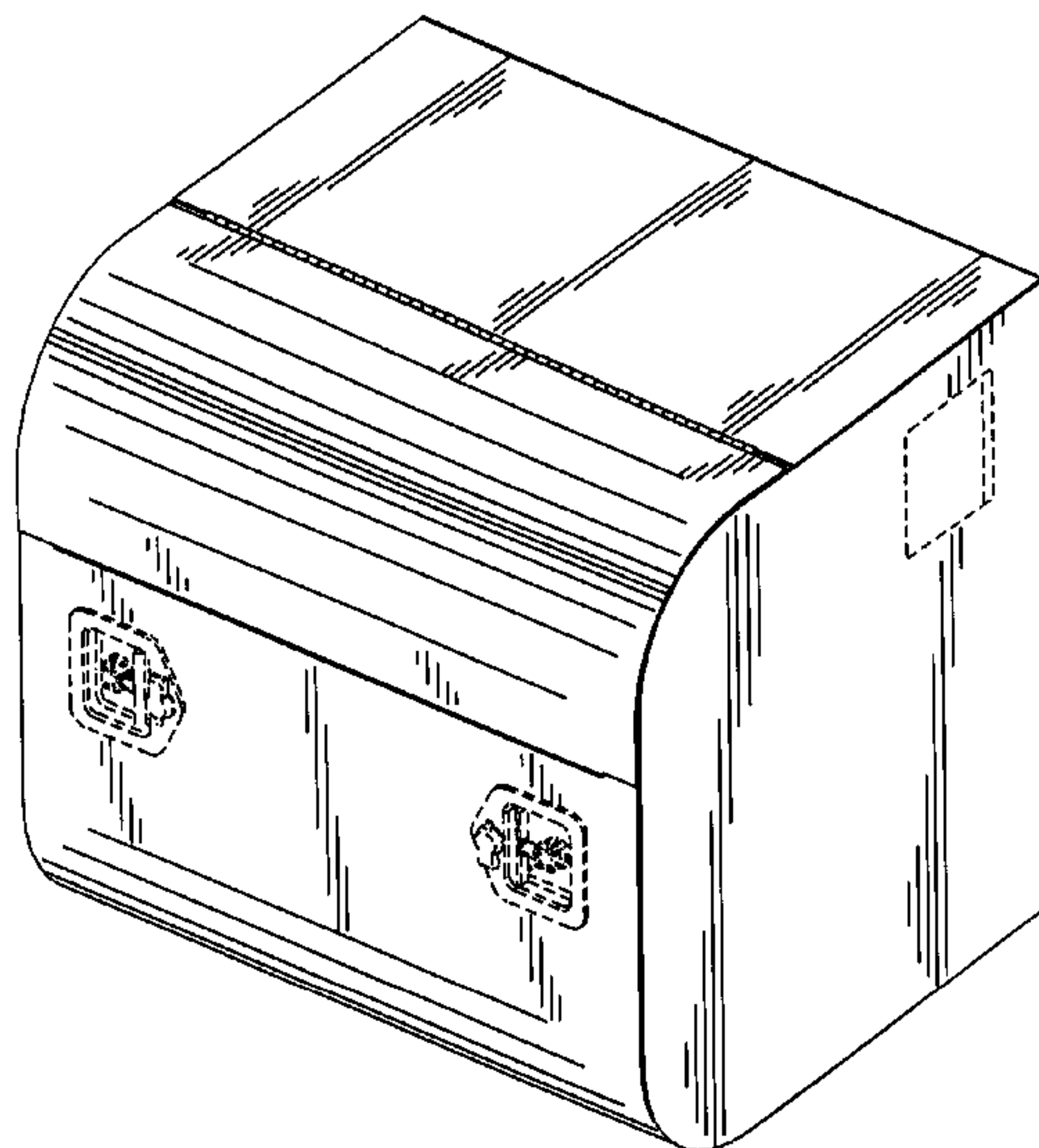
FIG. 7 is a rear elevational view thereof; and,

FIG. 8 is a right, top, front perspective view of an alternative embodiment of a cabinet, embodying my new design, which is in an open state.

The broken line representations of apertures, louvers, latches and interior components in the figures are for the purpose of illustration only, and form no part of the claimed design.

The broken line(s) which define the bounds of the claimed design form no part thereof.

1 Claim, 5 Drawing Sheets



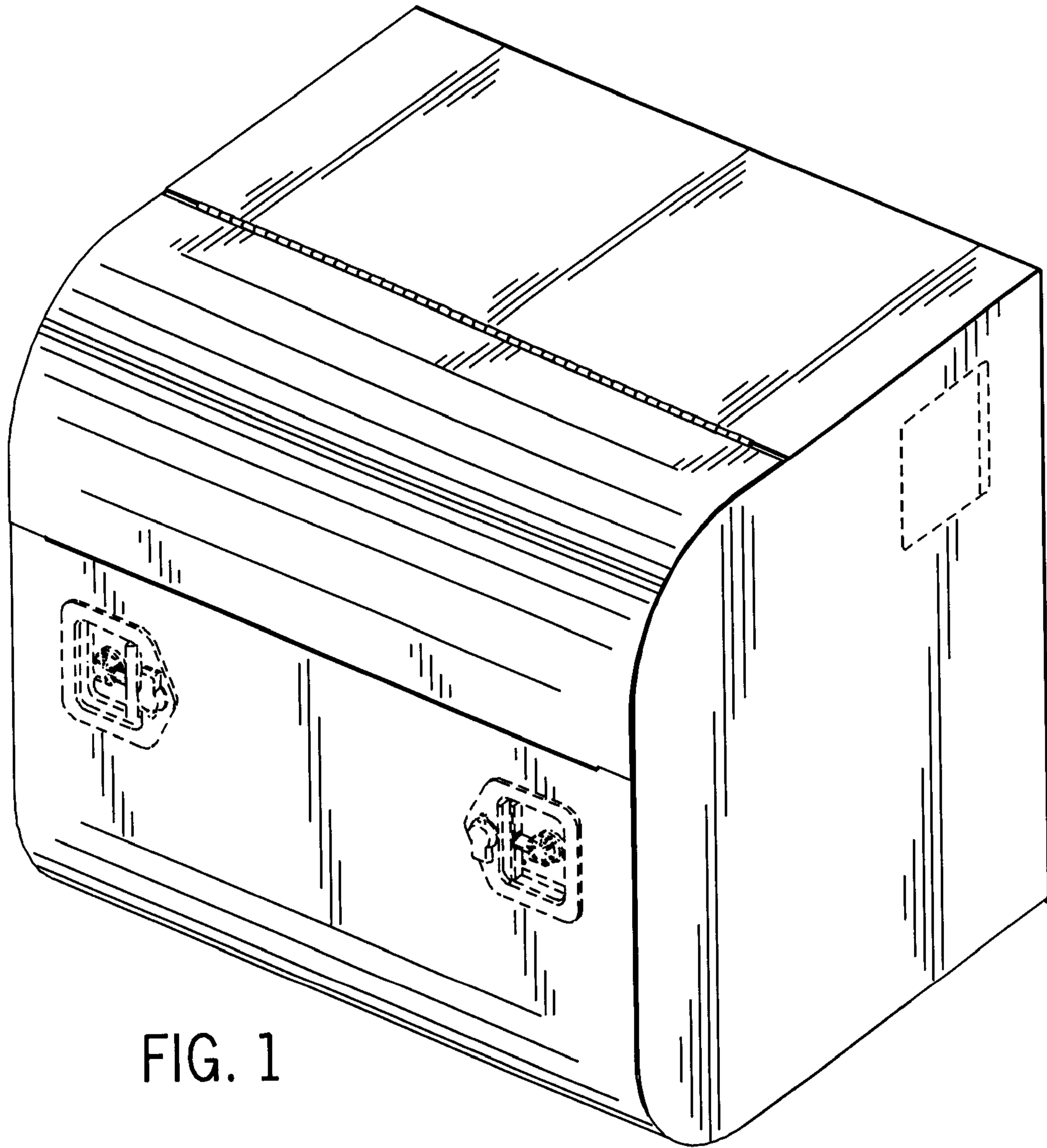


FIG. 1

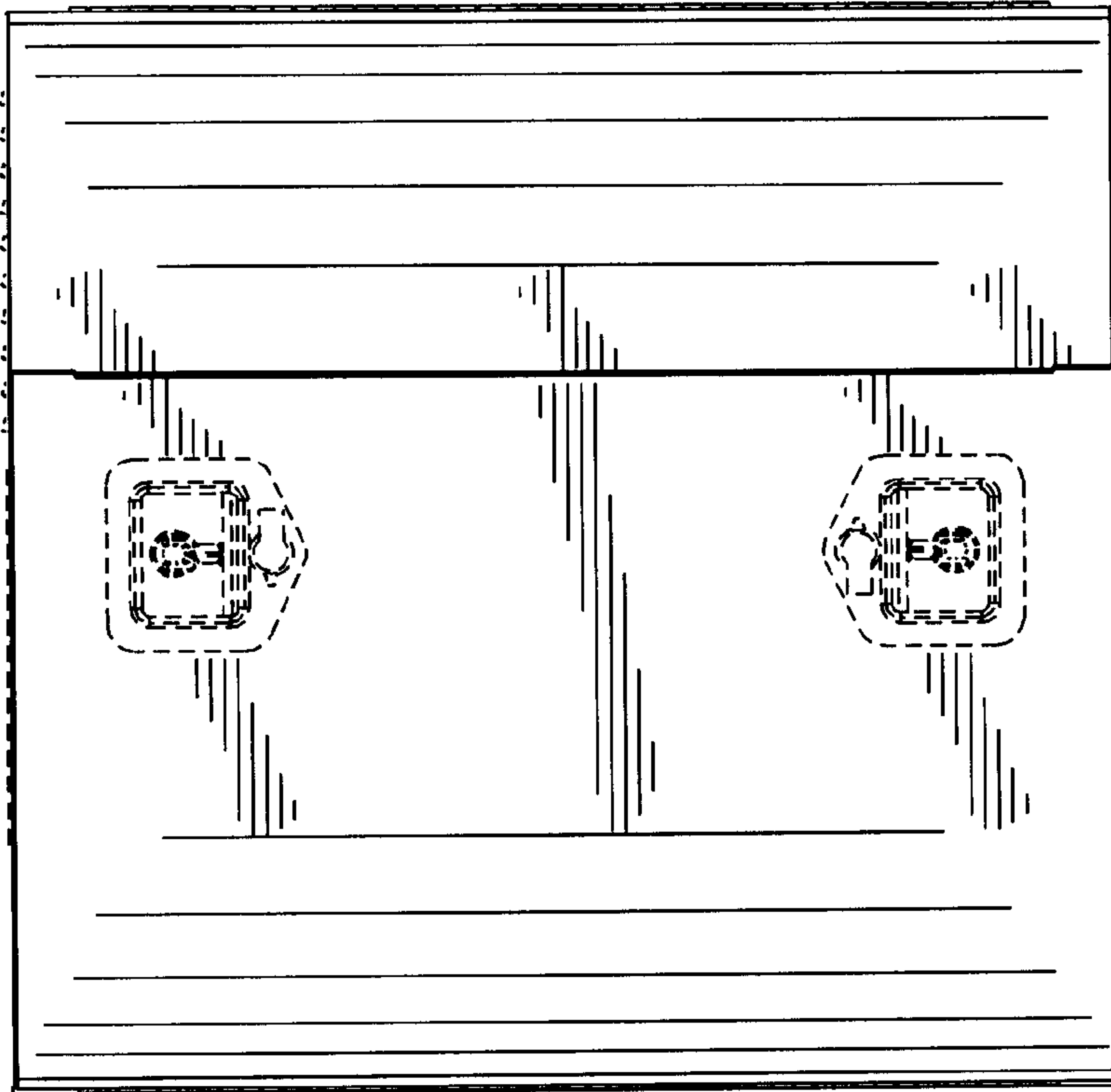


FIG. 2

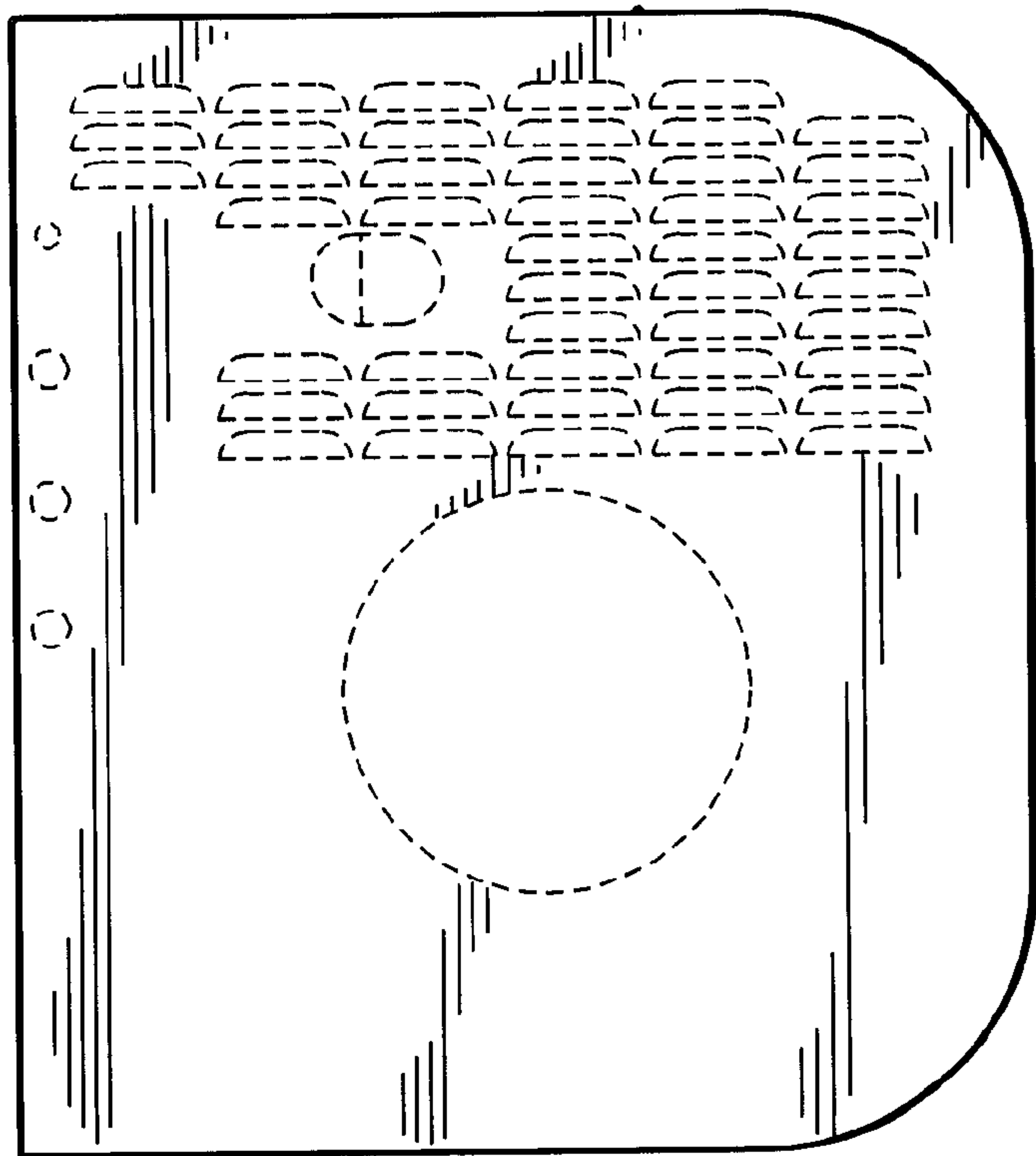


FIG. 3

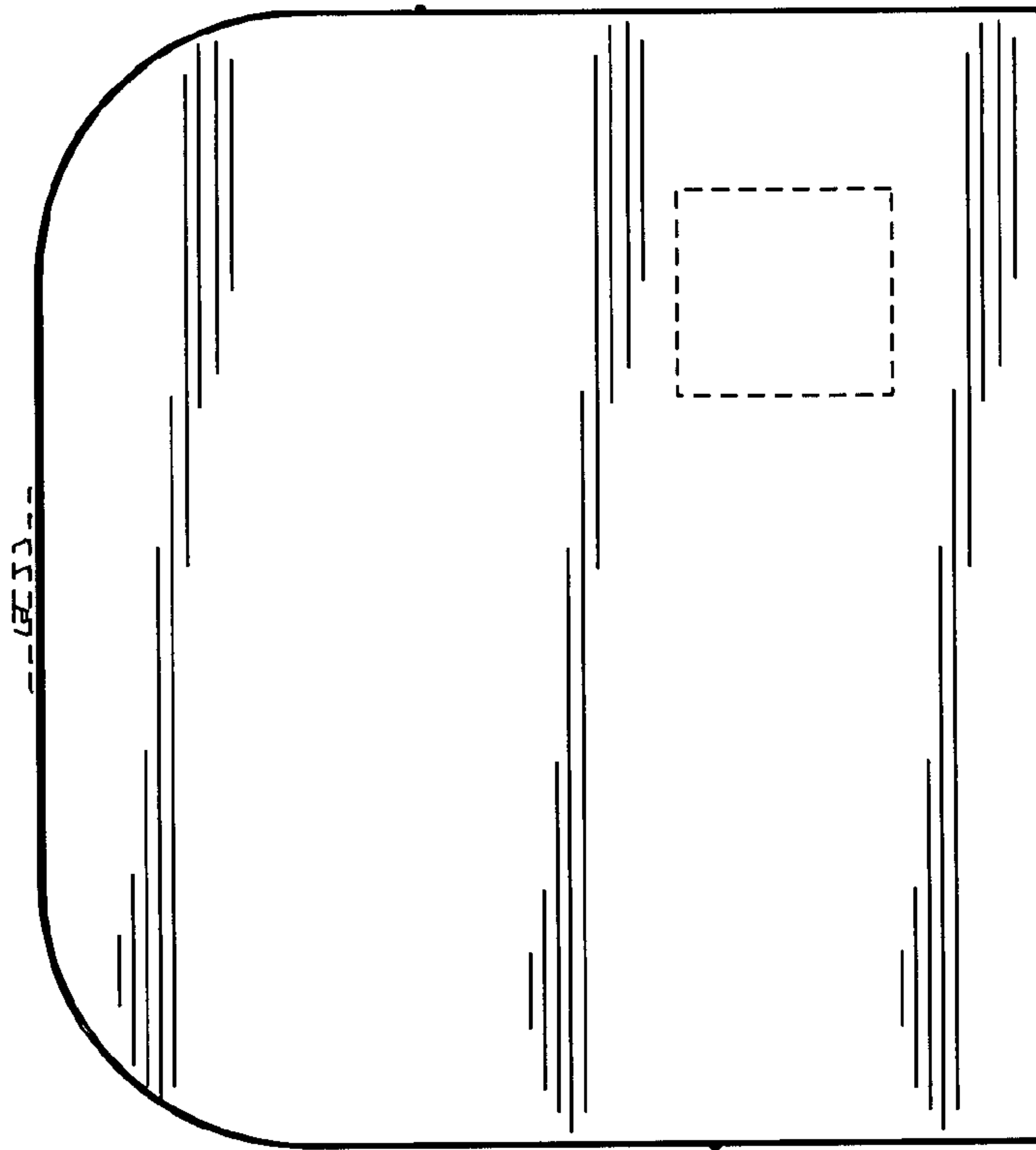


FIG. 4

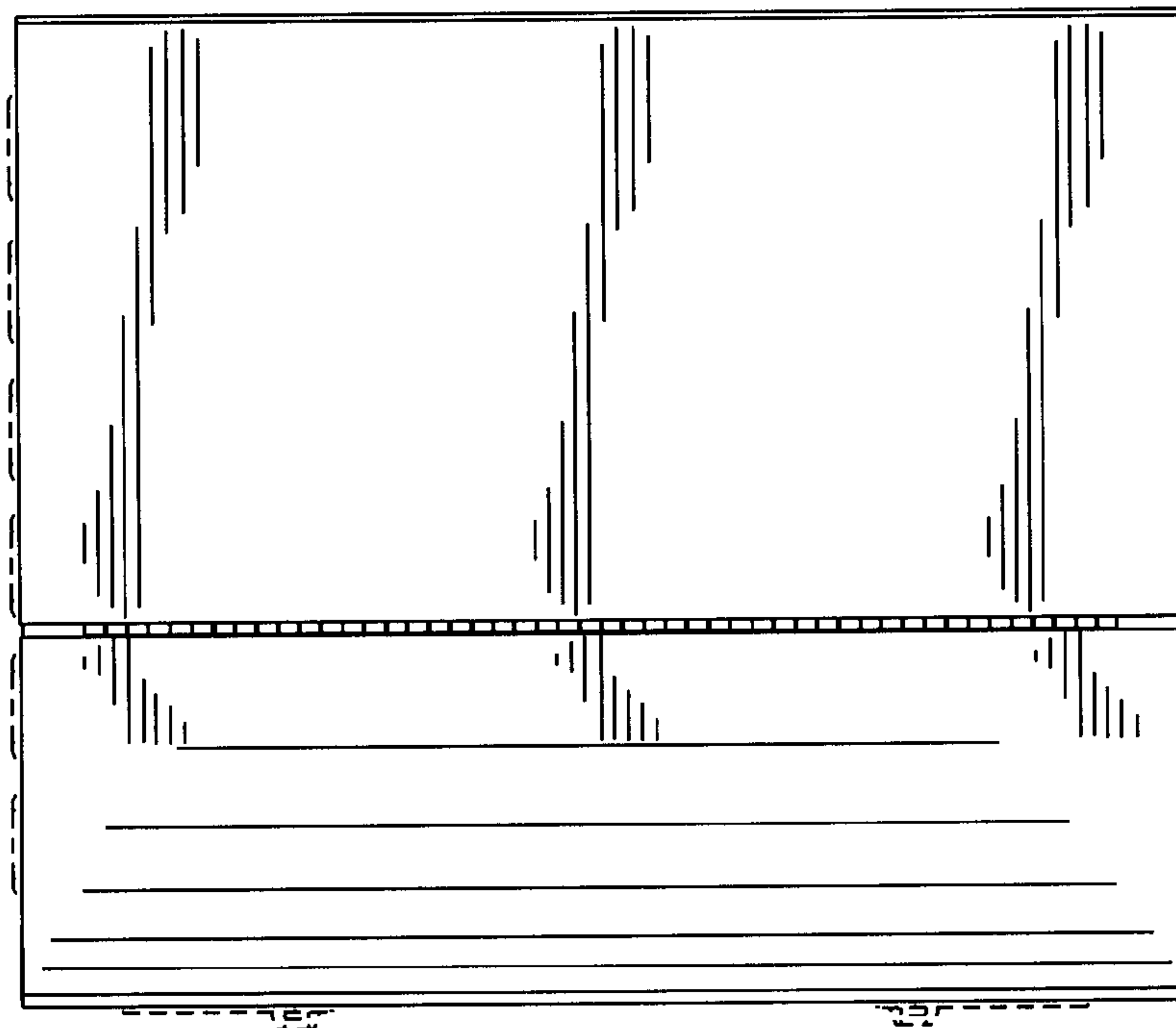


FIG. 5

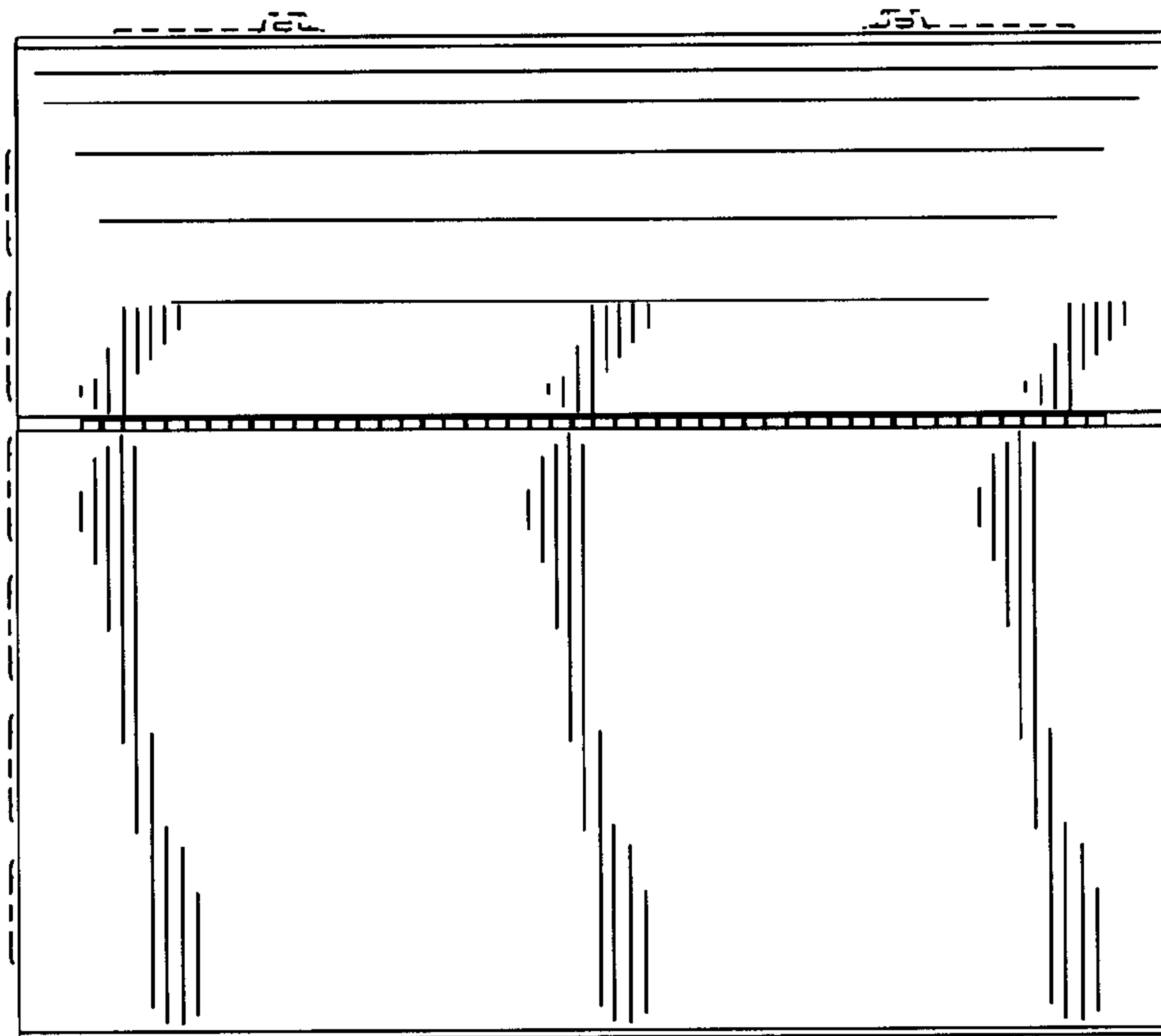


FIG. 6

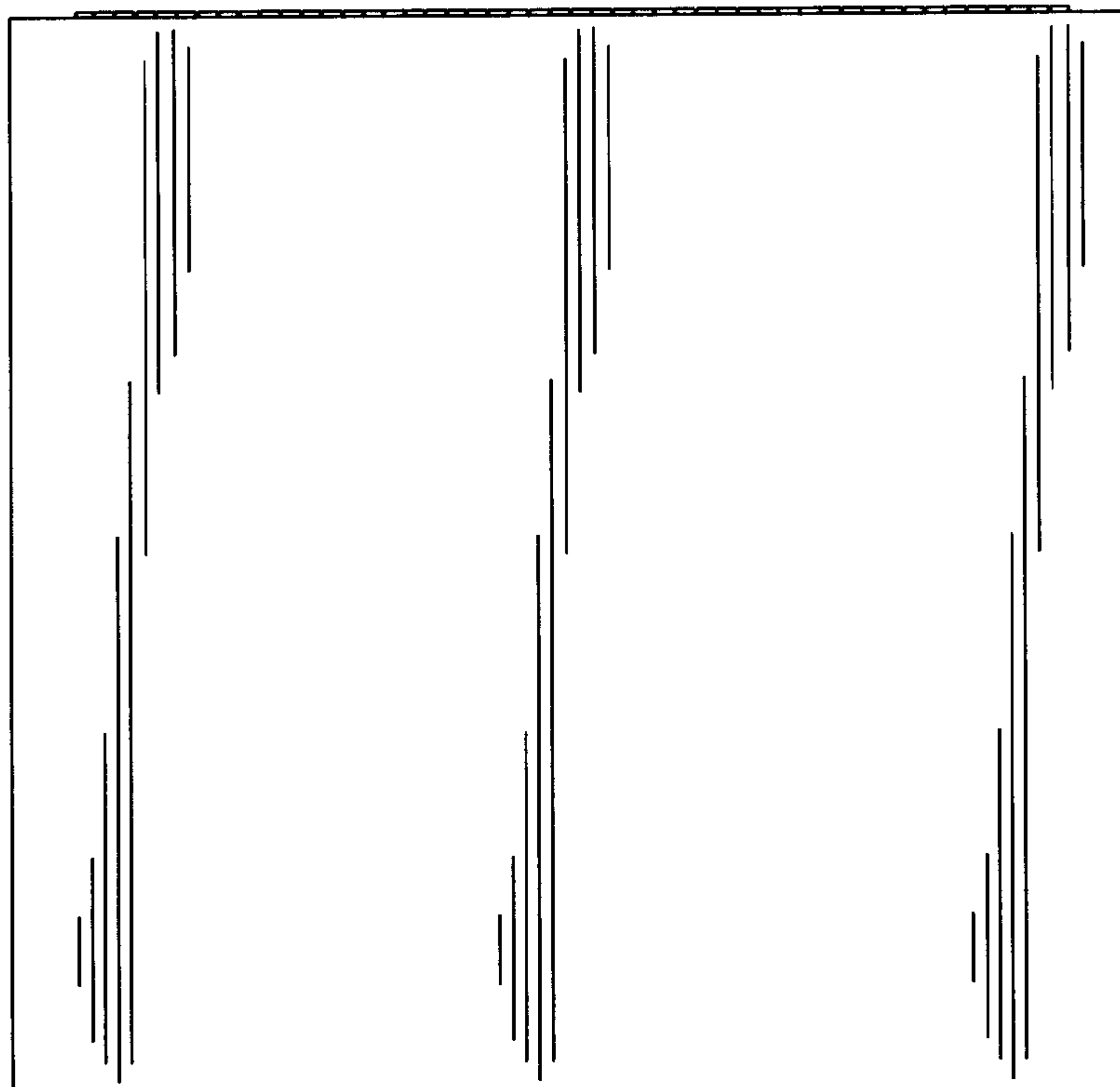


FIG. 7

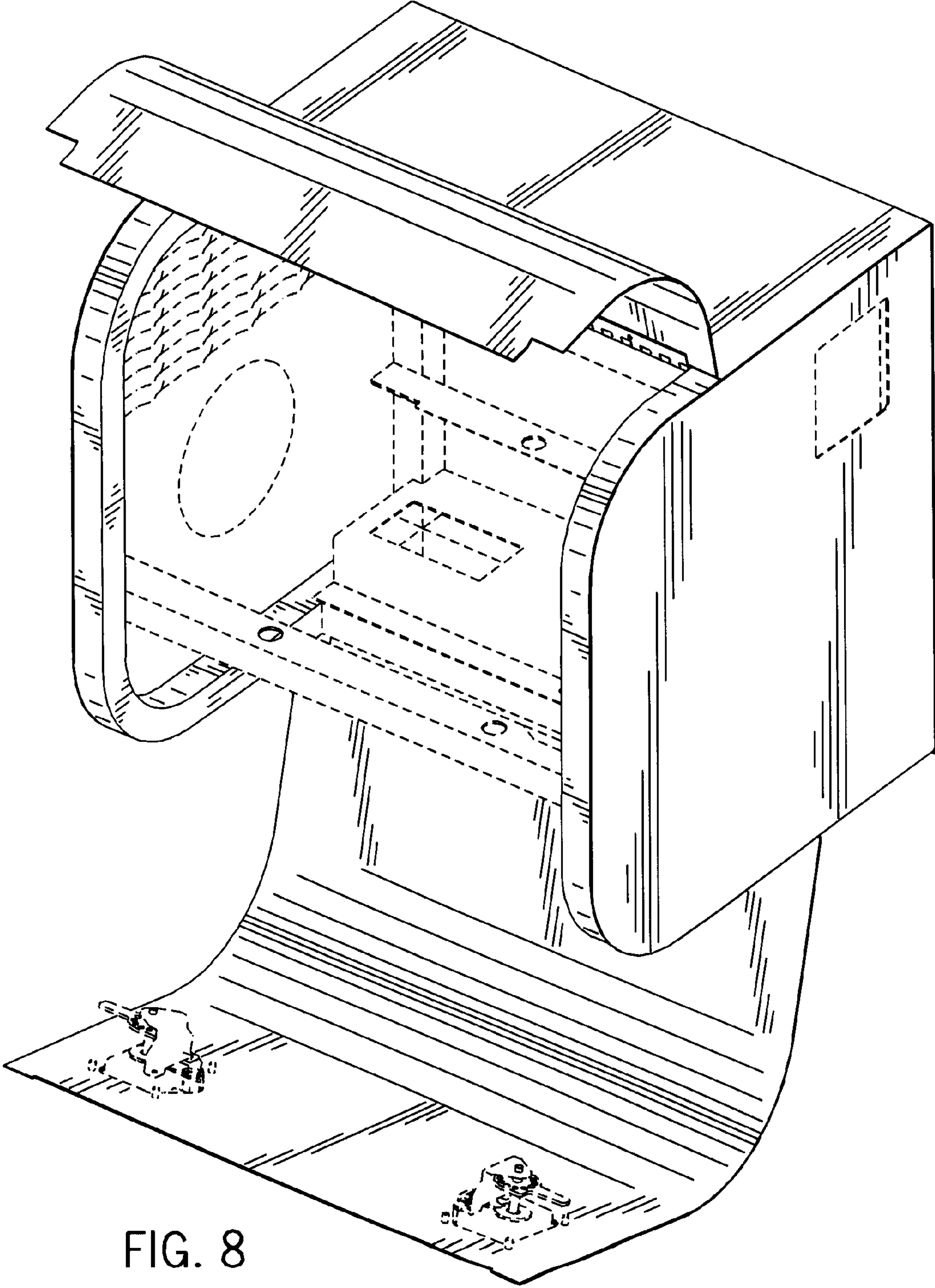


FIG. 8