



US00D574767S

(12) **United States Design Patent**
Hall et al.

(10) **Patent No.:** **US D574,767 S**

(45) **Date of Patent:** **** Aug. 12, 2008**

(54) **FUEL CELL SYSTEM FUEL CONTAINER AND DISPENSER**

(75) Inventors: **Brian D. Hall**, Fremont, CA (US); **Hiep T. Nguyen**, San Francisco, CA (US); **Theodore Prescop**, Mountain View, CA (US)

(73) Assignee: **Ultracell Corporation**, Livermore, CA (US)

(**) Term: **14 Years**

(21) Appl. No.: **29/297,610**

(22) Filed: **Nov. 14, 2007**

(51) **LOC (8) Cl.** **13-02**

(52) **U.S. Cl.** **D13/101**

(58) **Field of Classification Search** D13/101, D13/110, 113, 114, 118, 184, 199; D3/272, D3/276, 281; D9/414, 432; 206/0.6, 0.7; 220/506.01, 560.04; 261/28, 29; 429/12, 429/20, 30, 34-39

See application file for complete search history.

(56) **References Cited**

U.S. PATENT DOCUMENTS

D320,190 S * 9/1991 Hamlen D13/103
D379,561 S * 6/1997 Watson D3/260
5,962,155 A * 10/1999 Kuranaka et al. 429/20
D428,335 S * 7/2000 Toyota et al. D9/432

D432,495 S * 10/2000 Sugita et al. D13/103
6,268,077 B1 * 7/2001 Kelley et al. 429/33
6,322,920 B1 * 11/2001 Tomson 429/34
D462,050 S * 8/2002 Smith et al. D13/101
2002/0197522 A1 * 12/2002 Lawrence et al. 429/34
2004/0013927 A1 * 1/2004 Lawrence et al. 429/34

* cited by examiner

Primary Examiner—Prabhakar Deshmukh

Assistant Examiner—Derrick Holland

(74) *Attorney, Agent, or Firm*—Beyer Law Group LLP

(57) **CLAIM**

We claim the ornamental design for a fuel cell system fuel container and dispenser, as shown and described.

DESCRIPTION

FIG. 1 is a top, left front perspective view of a fuel cell system fuel container and dispenser;

FIG. 2 is a front view thereof;

FIG. 3 is a left side view thereof;

FIG. 4 is a rear view thereof;

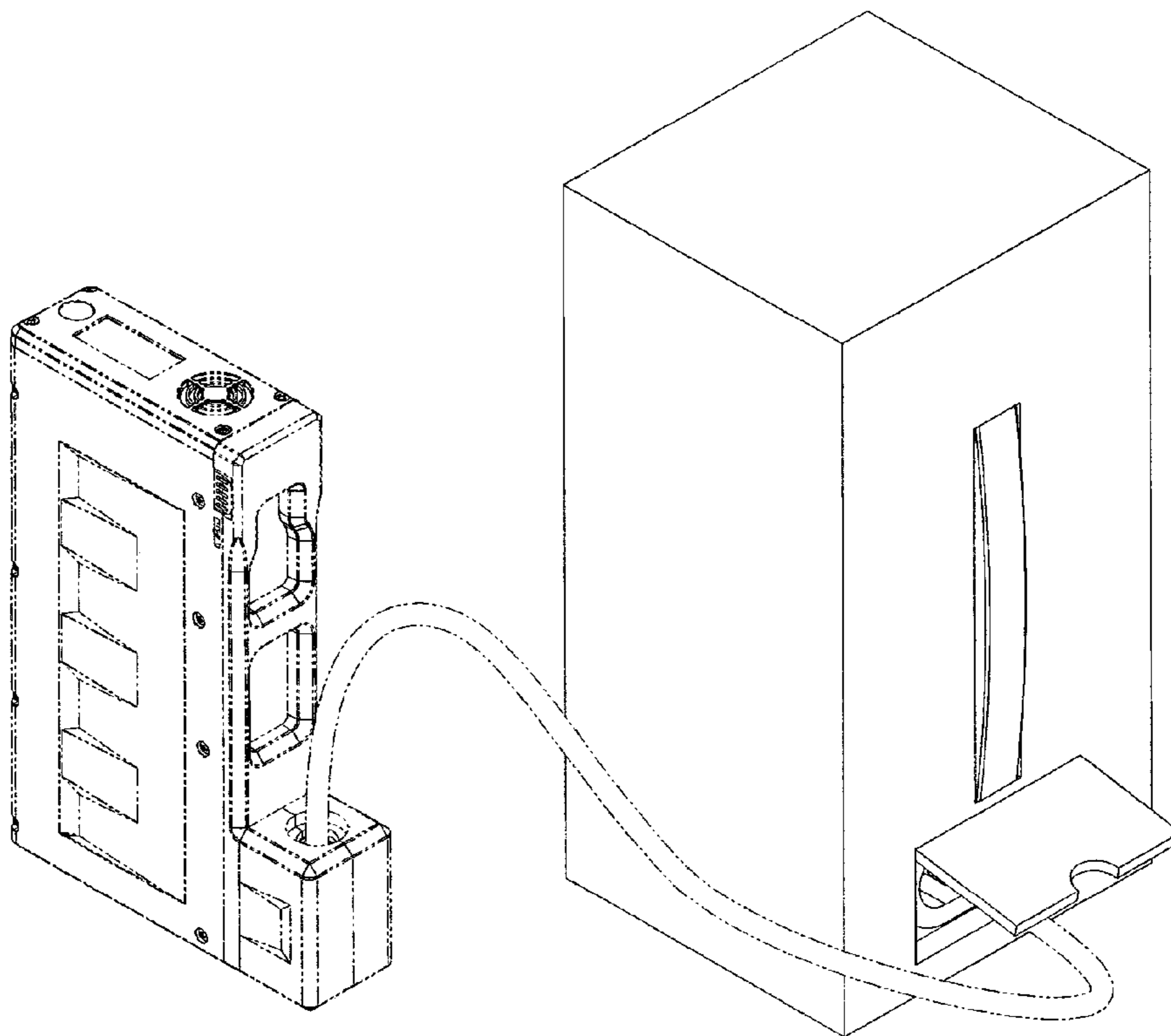
FIG. 5 is a right side view thereof;

FIG. 6 is a top plan view thereof; and,

FIG. 7 is a bottom plan view thereof.

The broken lines showing of a fuel cell system are for illustrative purposes and form no part of the claimed design.

1 Claim, 7 Drawing Sheets



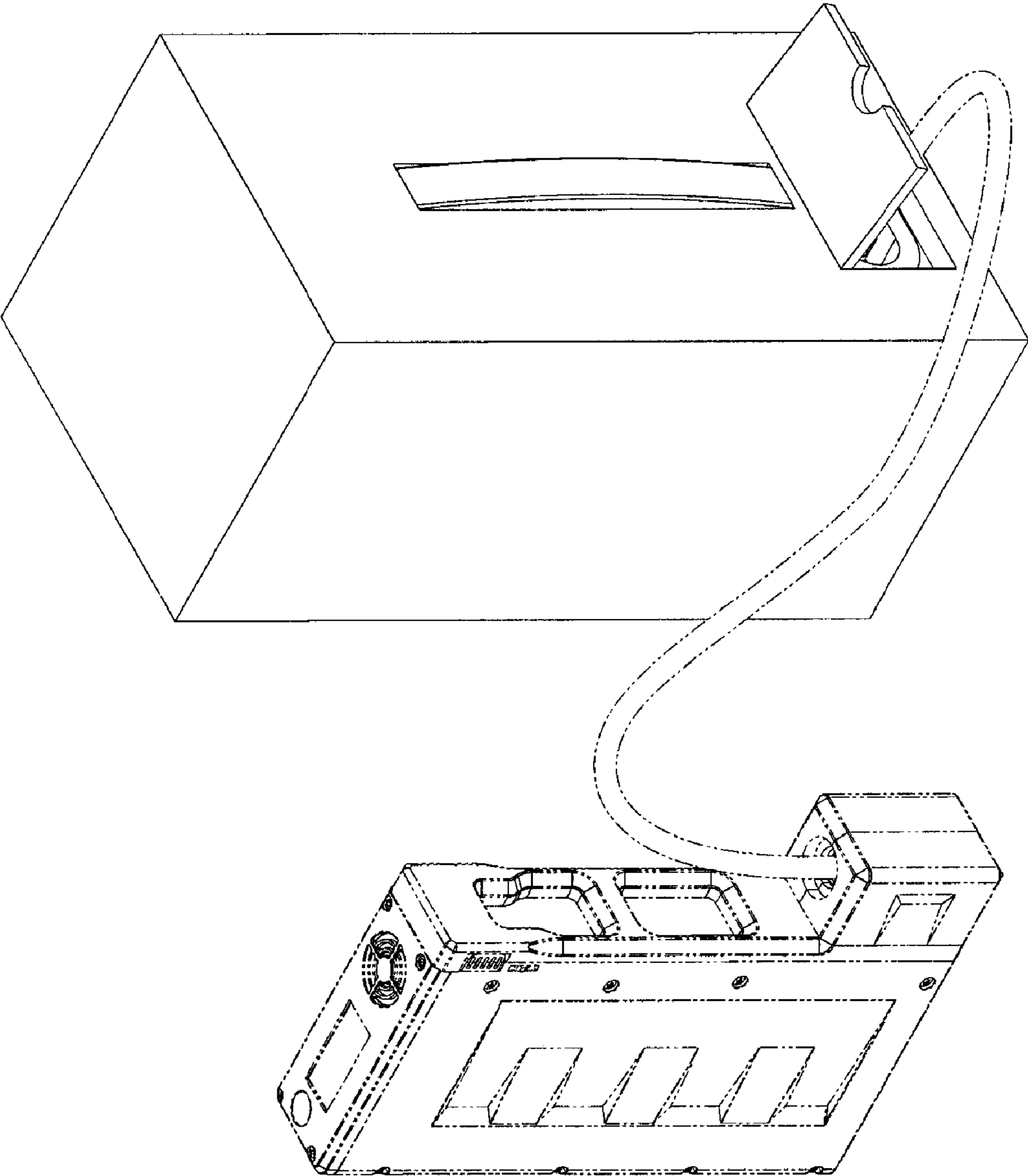


FIG. 1

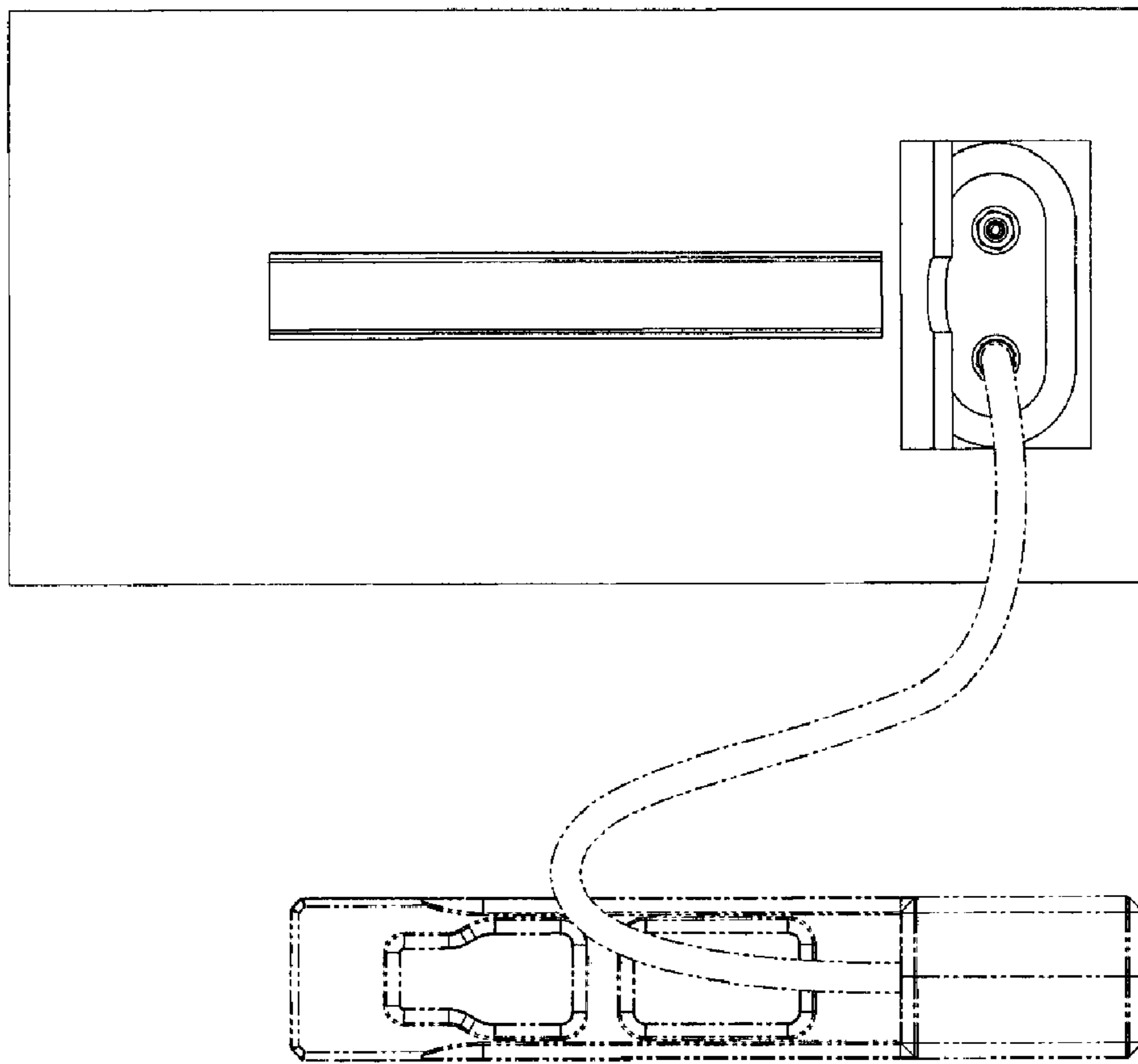


FIG. 2

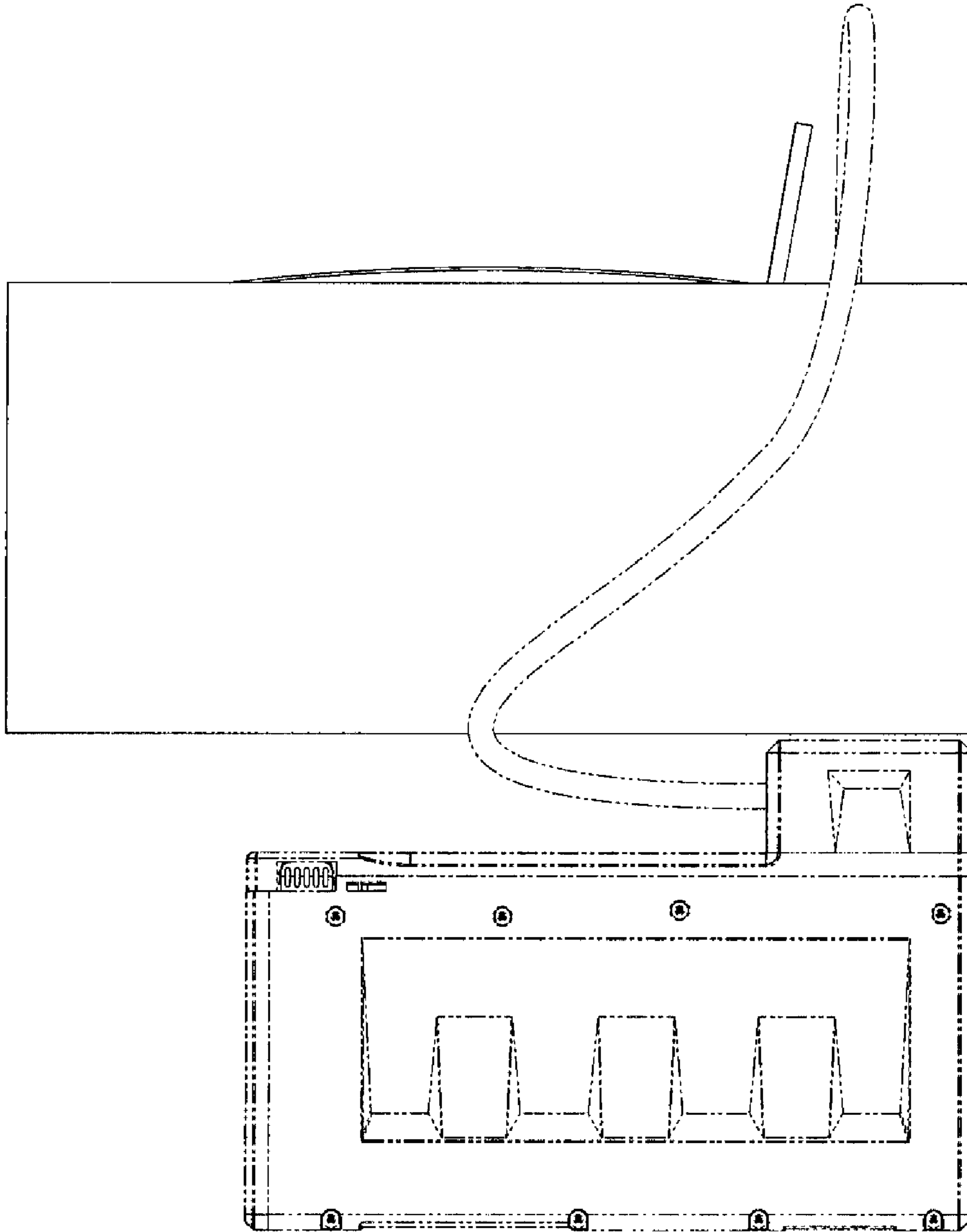


FIG. 3

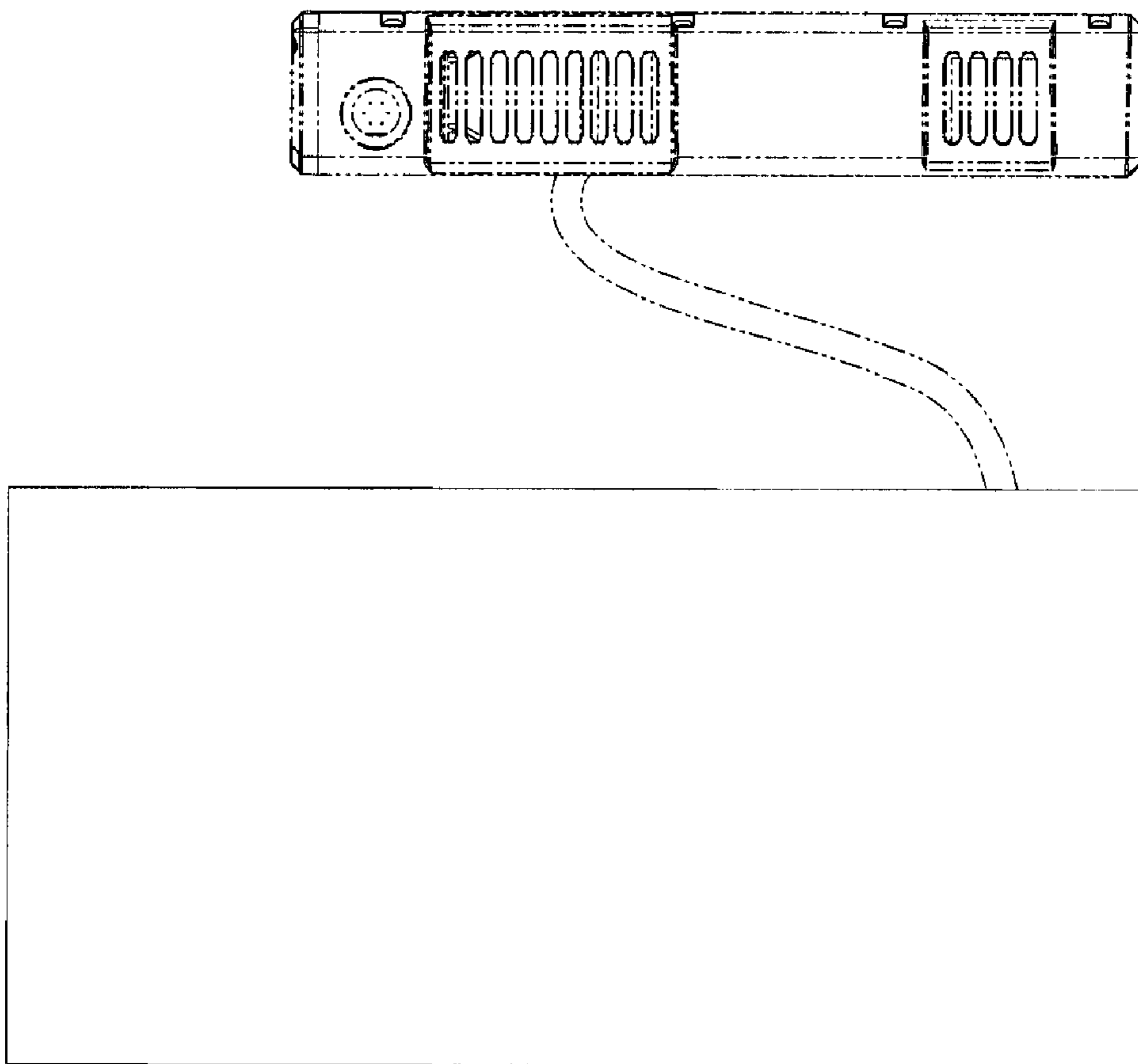


FIG. 4

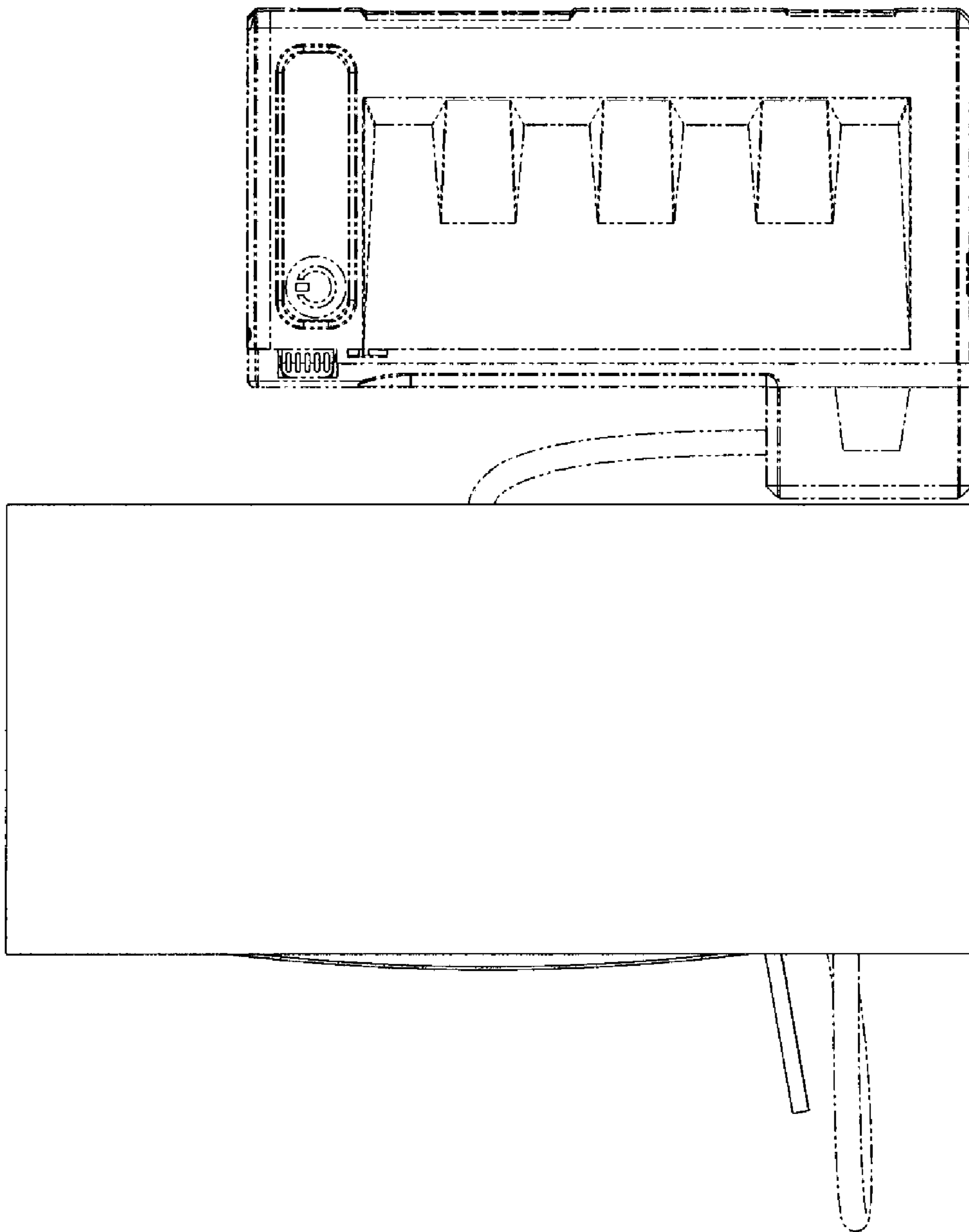


FIG. 5

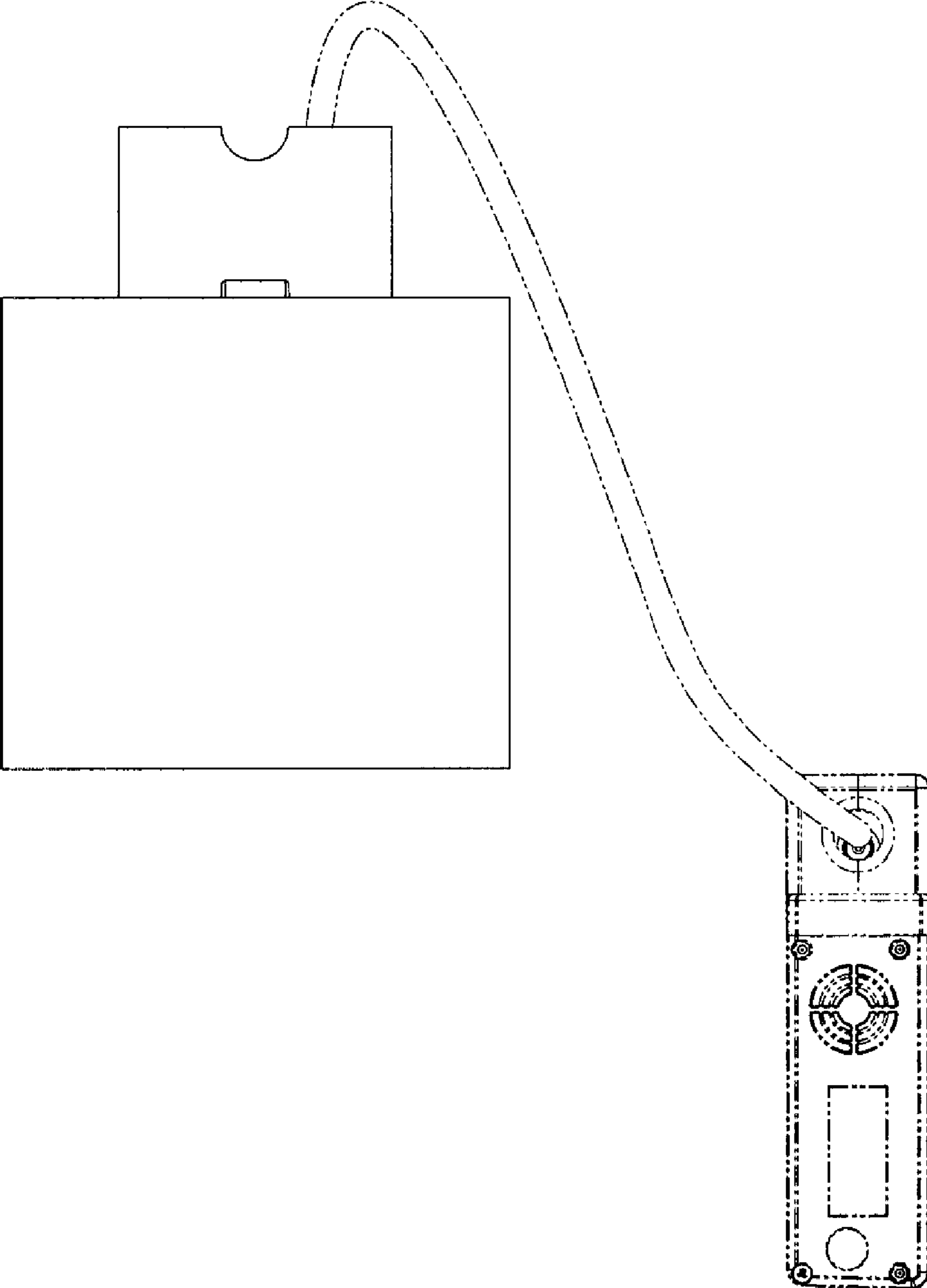


FIG. 6

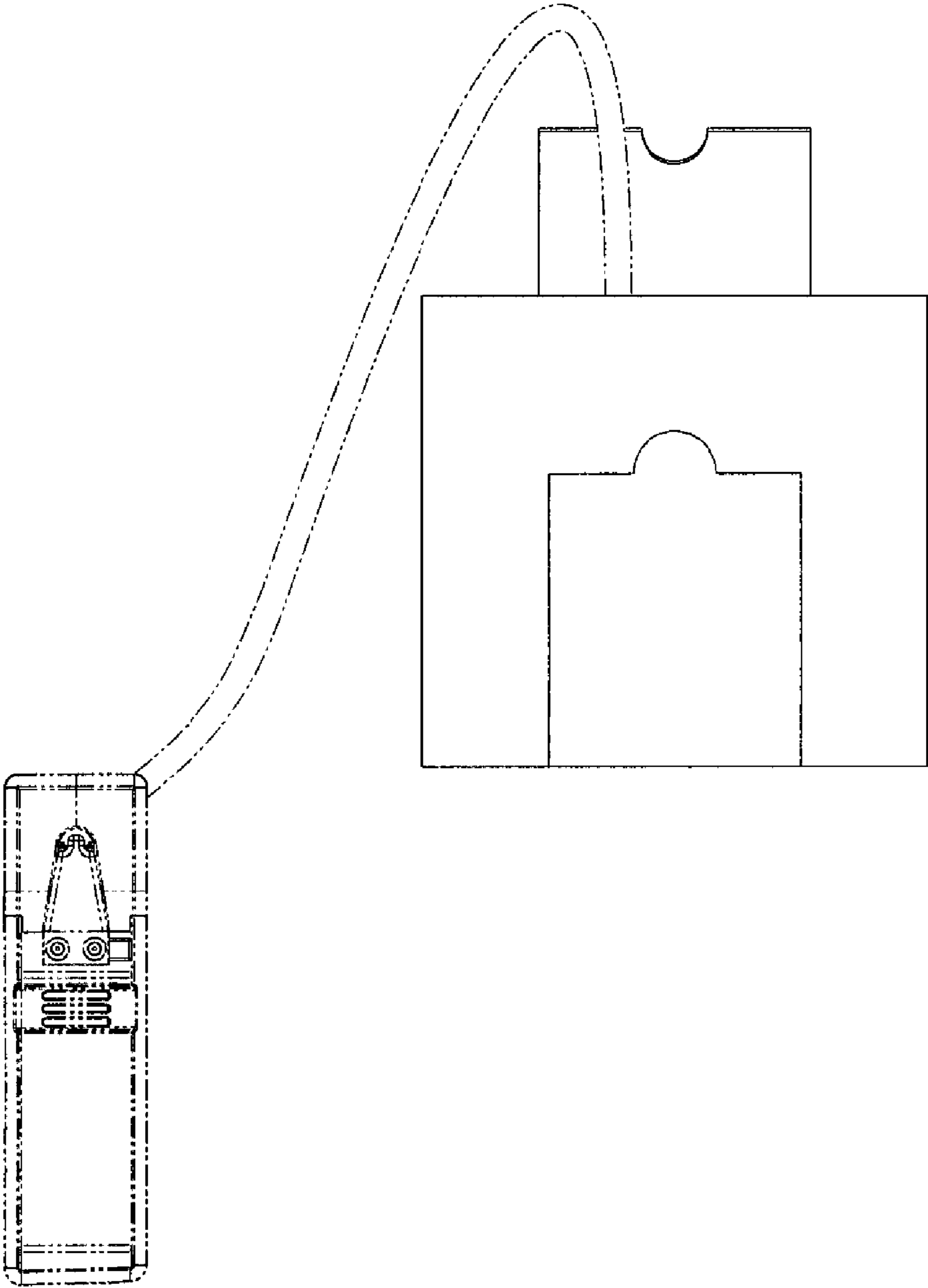


FIG. 7