



US00D574766S

(12) **United States Design Patent**
Iwabuchi et al.

(10) **Patent No.:** **US D574,766 S**
(45) **Date of Patent:** **** Aug. 12, 2008**

(54) **TIRE SIDEWALL**

(75) Inventors: **Sotaro Iwabuchi**, Tokyo (JP); **Shungo Fujita**, Tokyo (JP)

(73) Assignee: **Bridgestone Corporation**, Tokyo (JP)

(**) Term: **14 Years**

(21) Appl. No.: **29/298,122**

(22) Filed: **Nov. 29, 2007**

(51) **LOC (8) Cl.** **12-15**

(52) **U.S. Cl.** **D12/605**

(58) **Field of Classification Search** D12/500-501,
D12/503, 605; 152/523, 524, DIG. 12, 209.1-209.27
See application file for complete search history.

(56) **References Cited**

U.S. PATENT DOCUMENTS

D452,203 S * 12/2001 Kajikawa D12/605

D480,047 S * 9/2003 Kajikawa D12/605
D544,831 S * 6/2007 Kikkawa et al. D12/605
D549,165 S * 8/2007 Shondel et al. D12/605
D555,583 S * 11/2007 Itoi D12/605

* cited by examiner

Primary Examiner—Stacia Cadmus

(74) *Attorney, Agent, or Firm*—Sughrue Mion, PLLC

(57) **CLAIM**

The ornamental design for a tire sidewall, as shown and described.

DESCRIPTION

FIG. 1 is a perspective view of a tire sidewall.

FIG. 2 is a left side elevation view thereof; and,

FIG. 3 is an enlarged fragmentary left side view thereof.

The portion of the article shown in broken lines is for illustrative purpose only and forms no part of the claimed design.

1 Claim, 3 Drawing Sheets

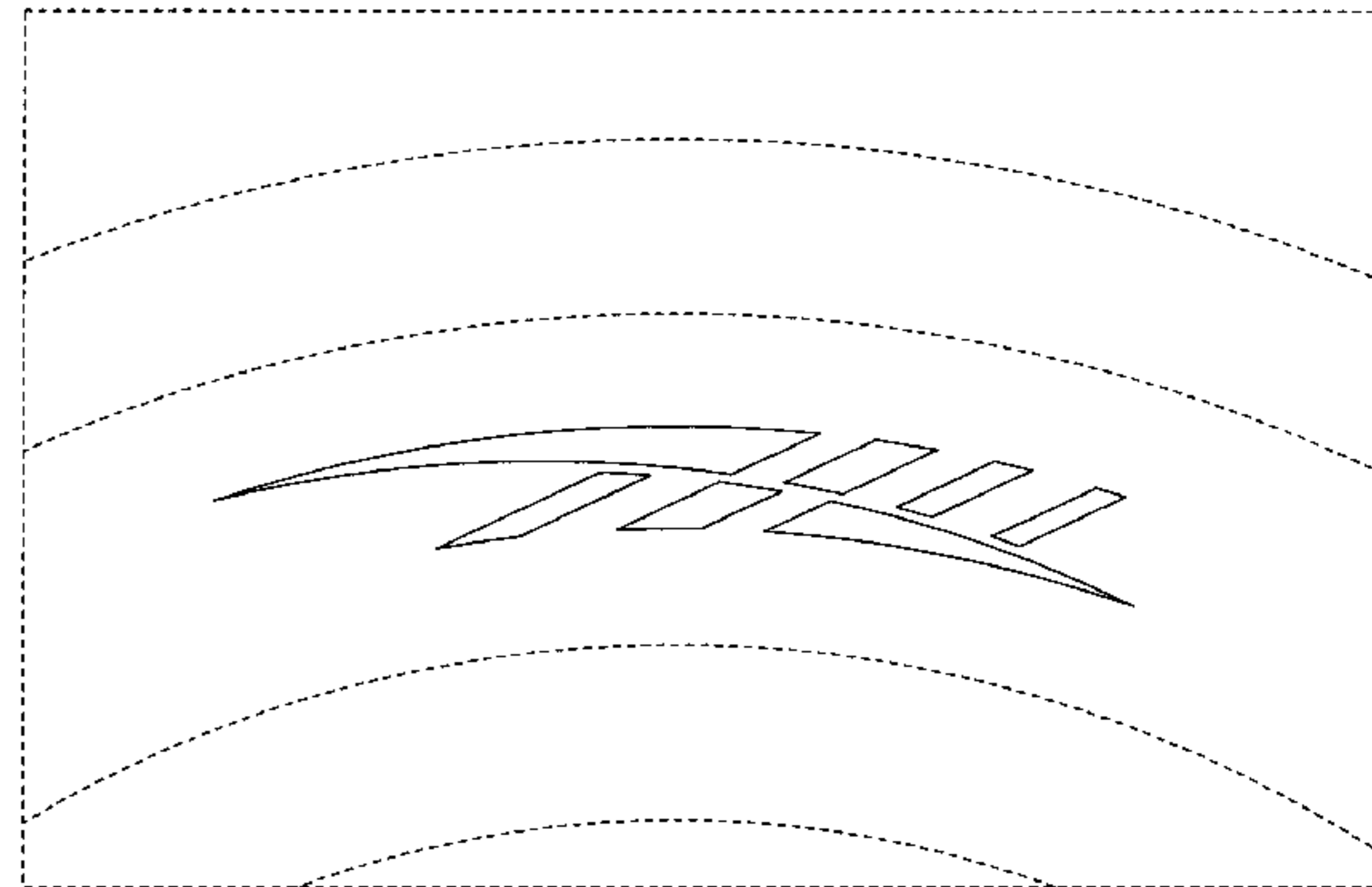
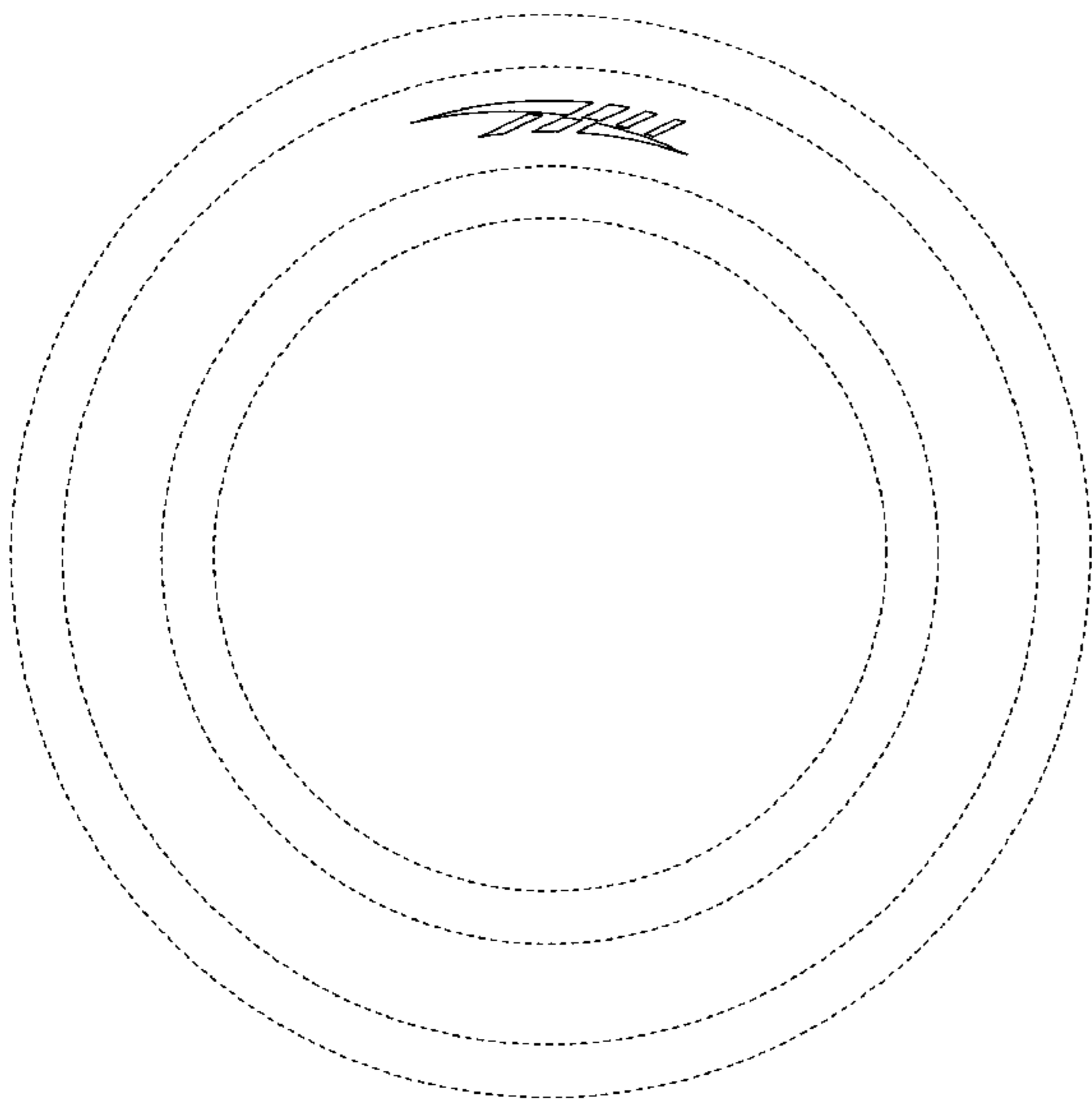


FIG. 1

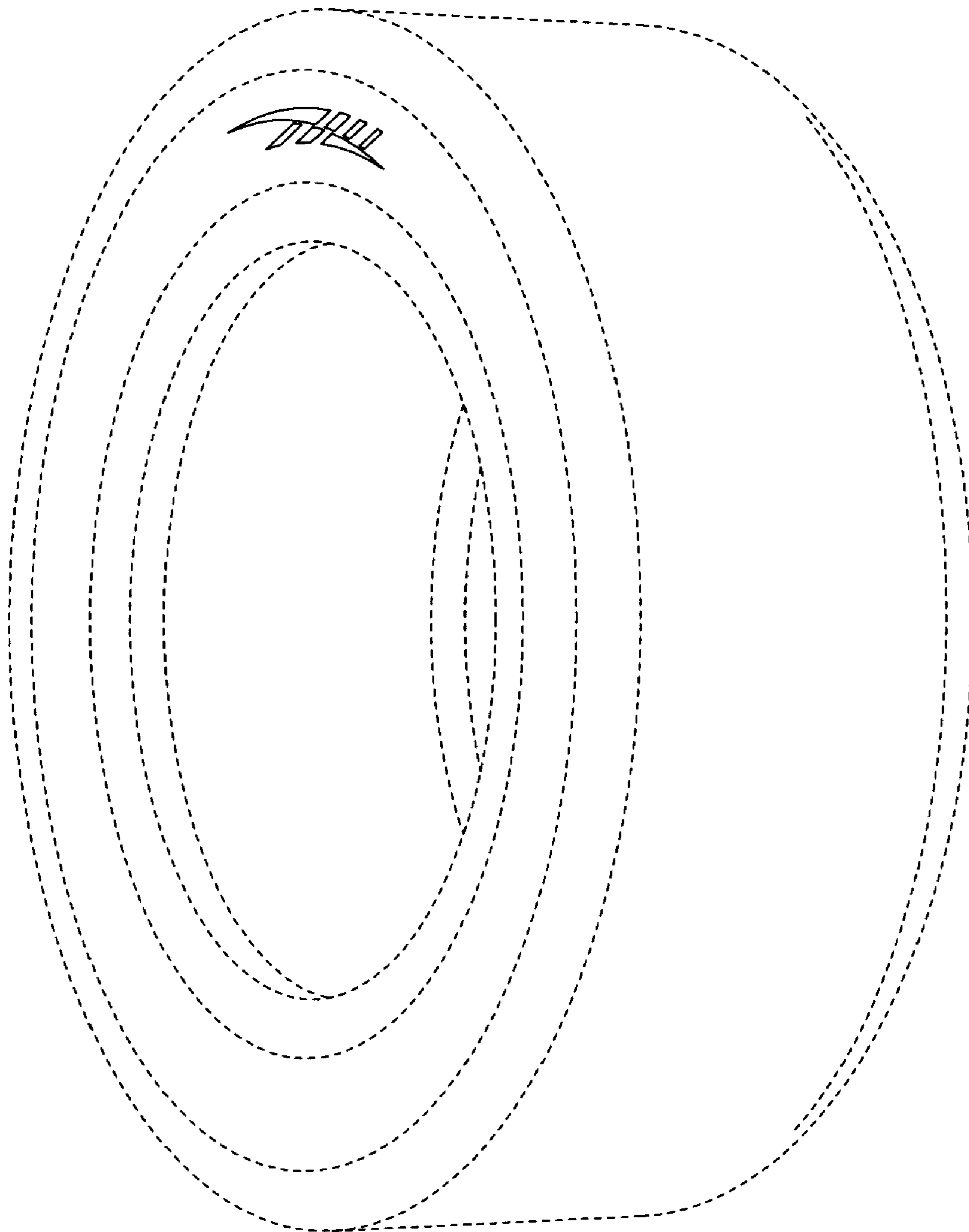


FIG. 2

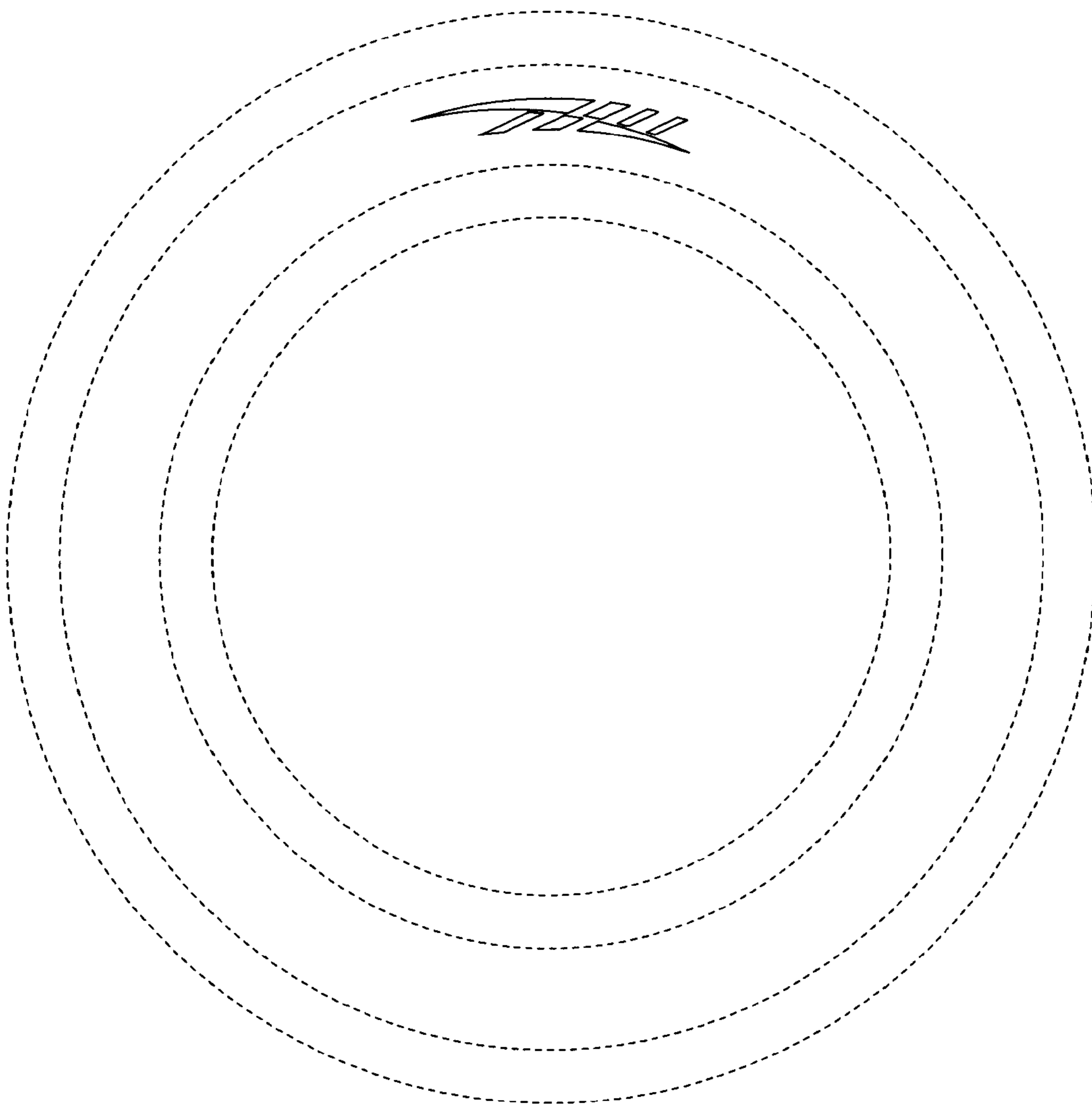


FIG. 3

