



US00D574764S

(12) **United States Design Patent**
Scheer

(10) **Patent No.:** **US D574,764 S**

(45) **Date of Patent:** **** Aug. 12, 2008**

(54) **RETRACTABLE COVER FOR MOTORCYCLES**

(76) Inventor: **Michael J. Scheer**, 35243 N. Karan Swiss Cir., Queen Creek, AZ (US) 85243-4993

(**) Term: **14 Years**

(21) Appl. No.: **29/289,323**

(22) Filed: **Jul. 17, 2007**

(51) **LOC (8) Cl.** **12-11**

(52) **U.S. Cl.** **D12/402**

(58) **Field of Classification Search** D12/110, D12/114, 126, 401-405, 191, 222; 180/219, 180/220; D6/575, 580, 581; 296/136.1, 296/136.01, 136.07, 98, 211, 97.8, 136.04, 296/100.11, 136.11, 200, 201, 77.1, 78.1; 135/88.01, 88.03, 88.04, 88.14, 88.15, 117; 280/288.4, 304.3, 304.4, 756, 770; D8/376; 160/23.1, 24, 26, 121.1, 133, 238

See application file for complete search history.

(56) **References Cited**

U.S. PATENT DOCUMENTS

- 1,853,742 A 4/1932 Owen et al.
- 3,146,824 A * 9/1964 Veilleux 160/23.1
- 3,884,523 A 5/1975 Allen

- 4,126,351 A * 11/1978 Peteretti 296/100.01
- D354,039 S * 1/1995 Kuoppala D12/401
- 5,562,139 A 10/1996 Cseri
- D413,560 S * 9/1999 Sambell D12/181
- 6,010,173 A 1/2000 Chyan-Luen
- 6,017,076 A 1/2000 Belisle
- 6,296,279 B1 * 10/2001 Stoddard et al. 280/770
- 2002/0125730 A1 * 9/2002 Burks et al. 296/98
- 2004/0051336 A1 * 3/2004 Chiao et al. 296/78.1

* cited by examiner

Primary Examiner—Cathron Brooks

Assistant Examiner—Linda Brooks

(57) **CLAIM**

The ornamental design for a retractable cover for motorcycles, as shown and described.

DESCRIPTION

FIG. 1 is a top view of the retractable cover for motorcycles;

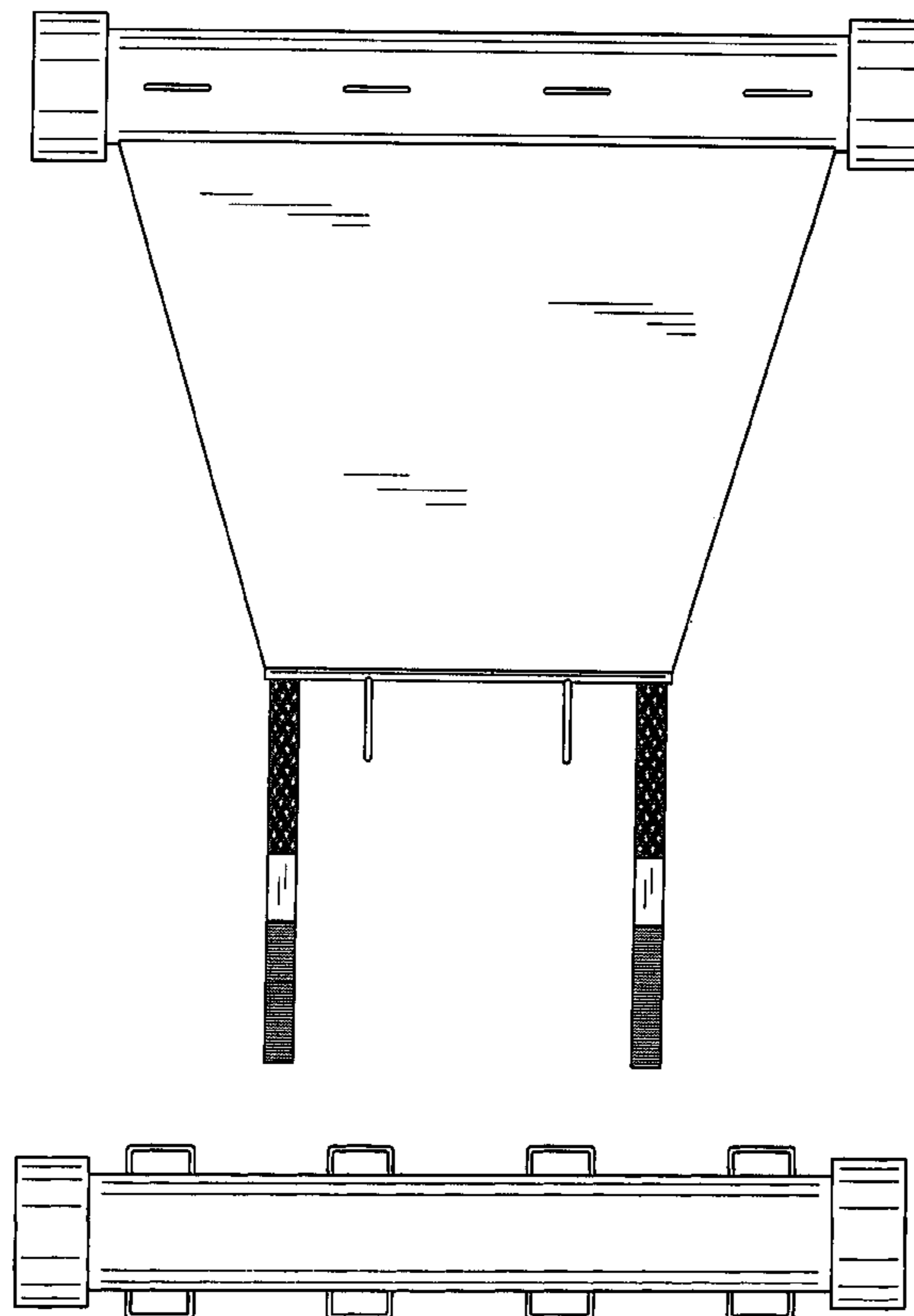
FIG. 2 is a bottom view of the retractable cover for motorcycles;

FIG. 3 is a left side view of the retractable cover for motorcycles;

FIG. 4 is a rear view of the retractable cover for motorcycles; and,

FIG. 5 is a front view of the retractable cover for motorcycles.

1 Claim, 4 Drawing Sheets



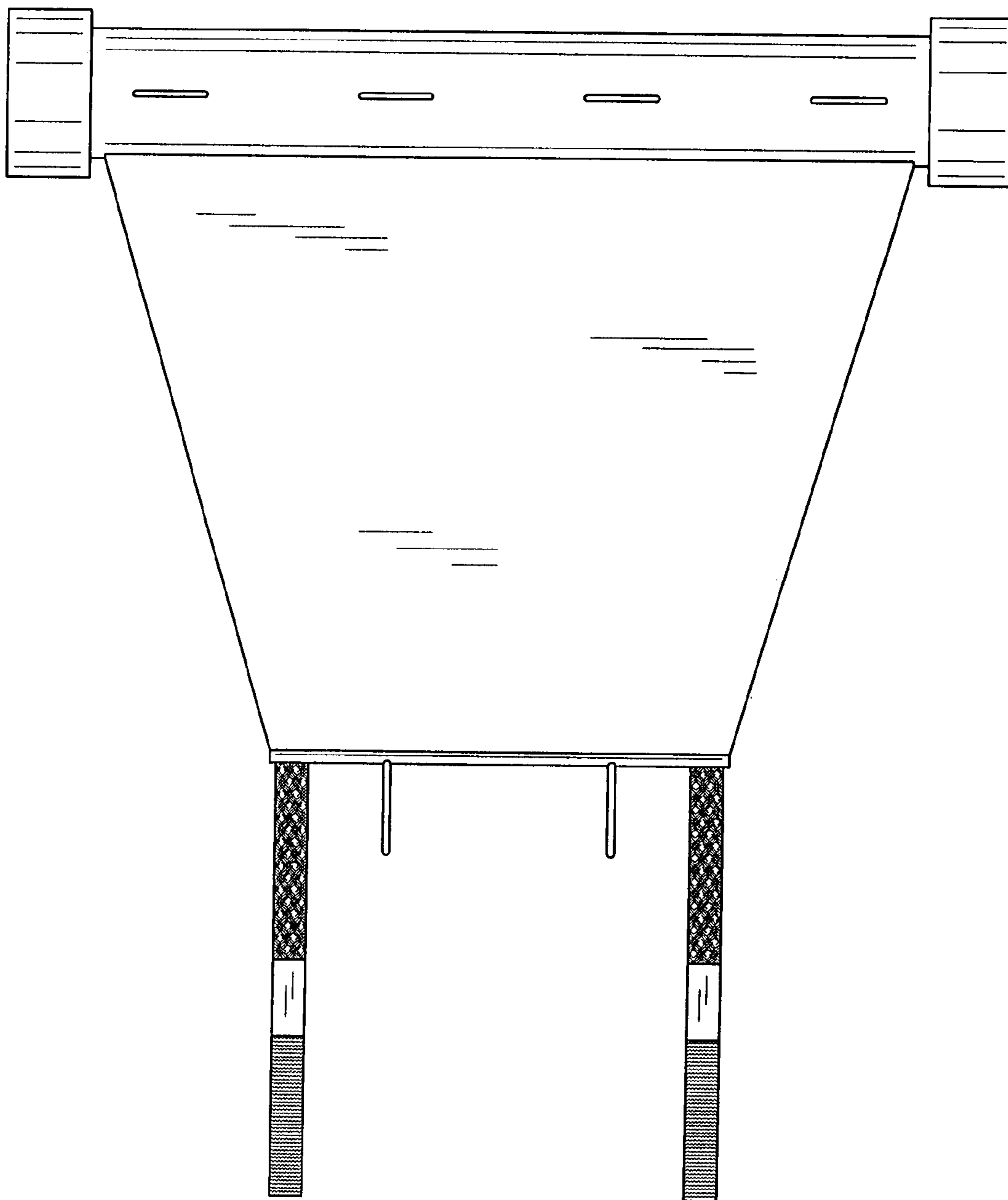


FIG. 1

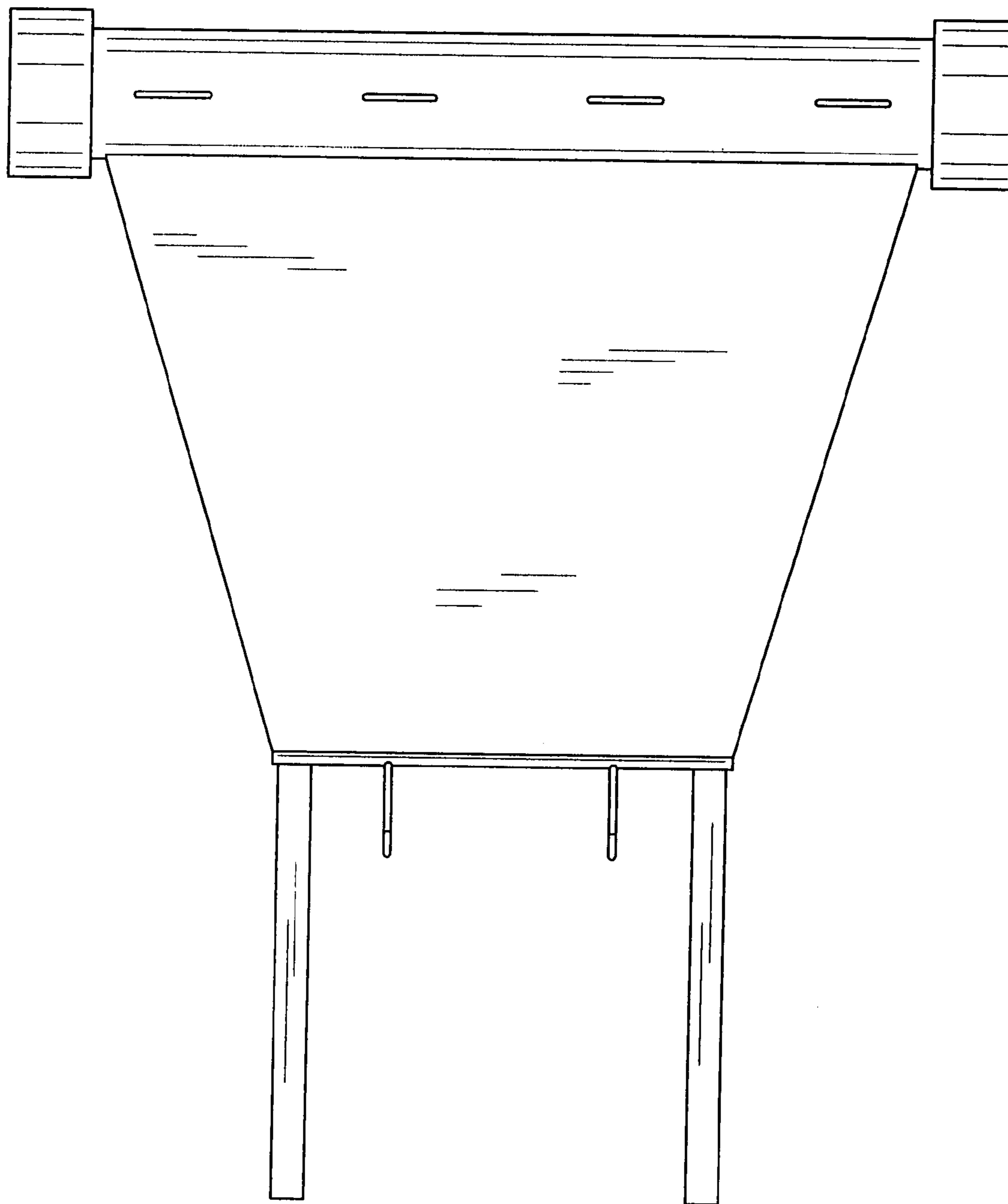


FIG. 2

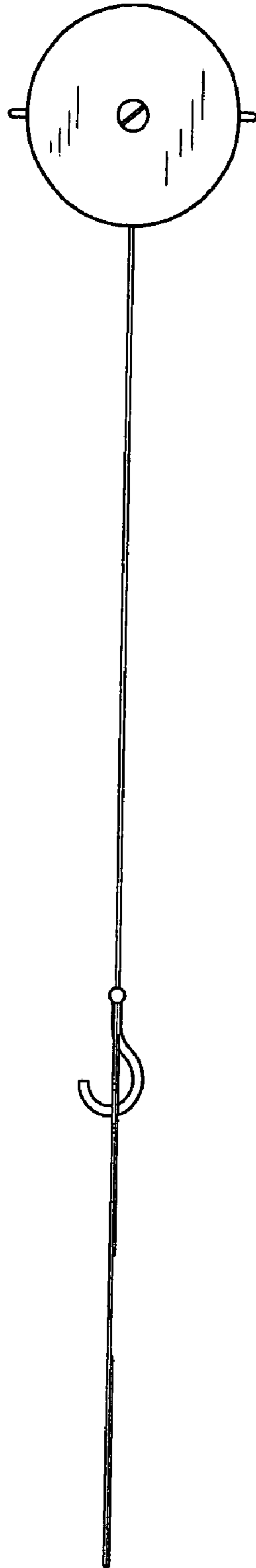


FIG. 3

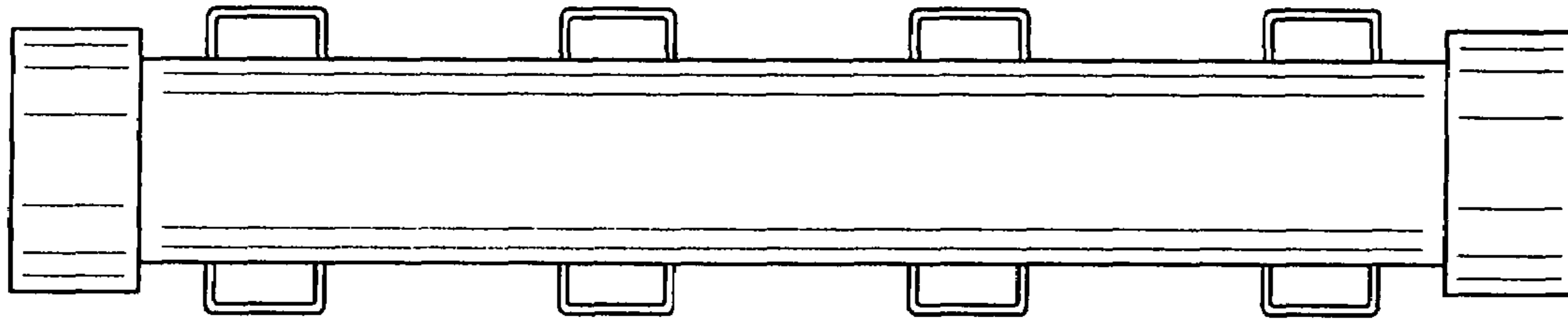


FIG. 4

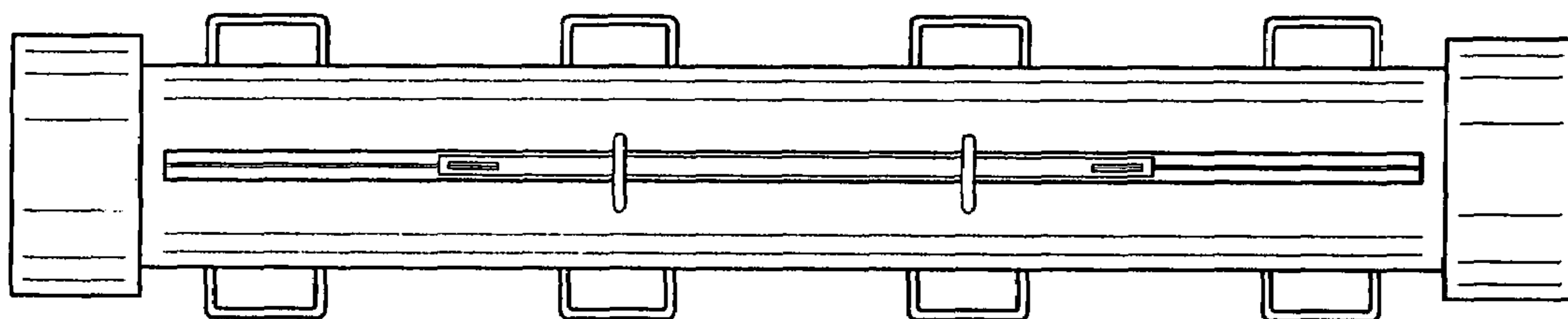


FIG. 5