



US00D574762S

(12) **United States Design Patent**
Kim

(10) **Patent No.:** **US D574,762 S**

(45) **Date of Patent:** **** Aug. 12, 2008**

(54) **AUTOMOTIVE WHEEL**

(75) **Inventor:** **Paul J. Kim**, Industry, CA (US)

(73) **Assignee:** **The Wheel Group**, Industry, CA (US)

(**) **Term:** **14 Years**

(21) **Appl. No.:** **29/307,210**

(22) **Filed:** **Apr. 7, 2008**

(51) **LOC (8) Cl.** **12-16**

(52) **U.S. Cl.** **D12/209**

(58) **Field of Classification Search** D12/204-213;
301/37.101, 64.101, 65, 64.201

See application file for complete search history.

(56) **References Cited**

U.S. PATENT DOCUMENTS

D442,535 S	*	5/2001	Lotson	D12/209
D461,155 S	*	8/2002	Takechi	D12/209
D466,462 S	*	12/2002	Lee	D12/209
D467,857 S	*	12/2002	Chung	D12/209
D471,500 S	*	3/2003	Kataoka	D12/209
D480,344 S	*	10/2003	Muzzarelli	D12/209

D488,116 S	*	4/2004	Chung	D12/209
D488,762 S	*	4/2004	Cahyono	D12/209
D505,102 S	*	5/2005	Cahyono	D12/209
D507,222 S	*	7/2005	Arellano et al.	D12/209
D516,000 S	*	2/2006	Ditty	D12/209
D519,903 S	*	5/2006	Ditty	D12/209
D530,254 S	*	10/2006	Kim	D12/209

* cited by examiner

Primary Examiner—Stacia Cadmus

(57) **CLAIM**

The ornamental design for an automotive wheel, as shown and described.

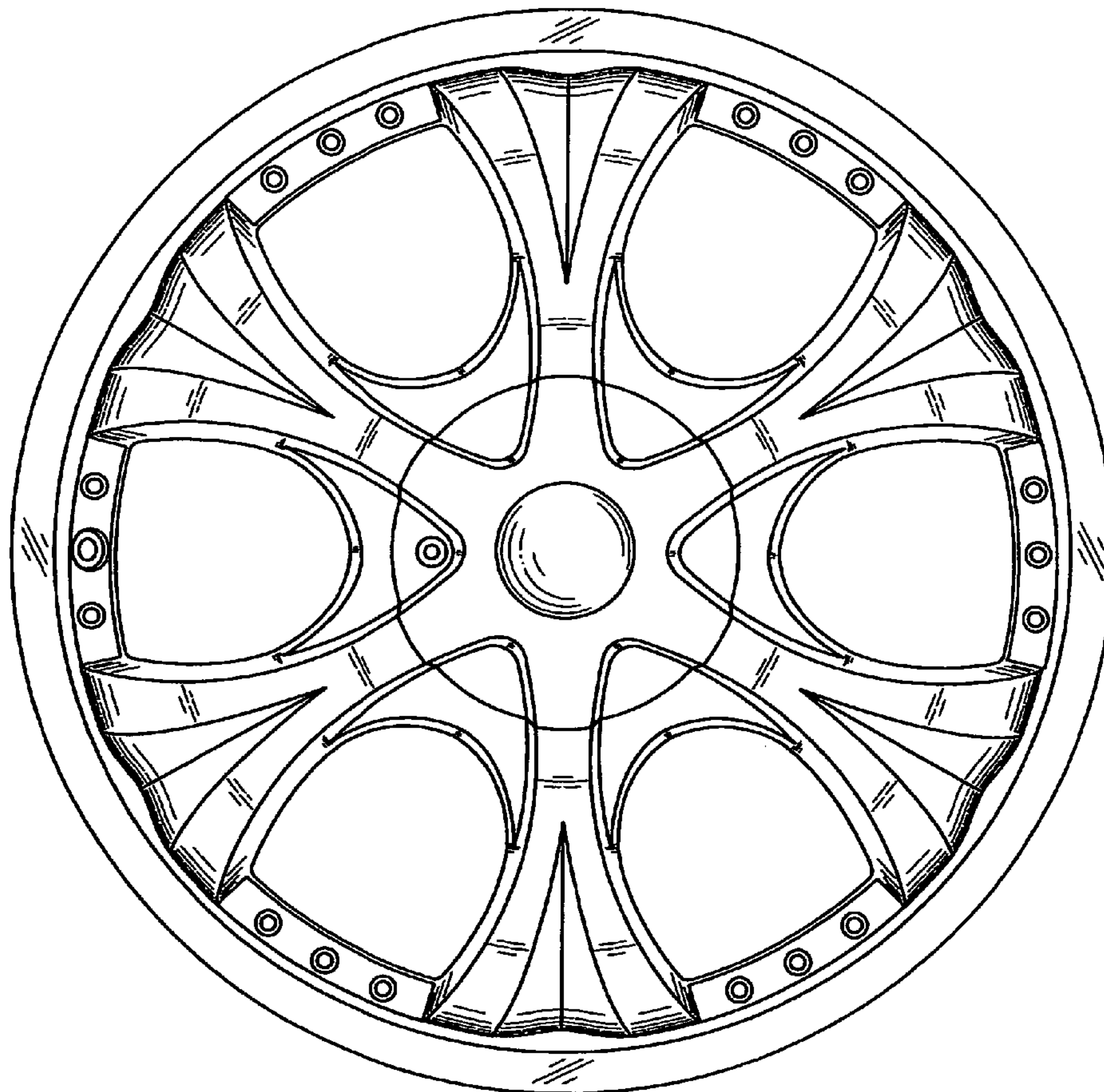
DESCRIPTION

FIG. 1 is a perspective view of an automotive wheel showing my new design; and,

FIG. 2 is a front elevational view of an automotive wheel showing the design herein described.

The broken lines are for illustrative purposes only, and form no part of the claimed design.

1 Claim, 2 Drawing Sheets



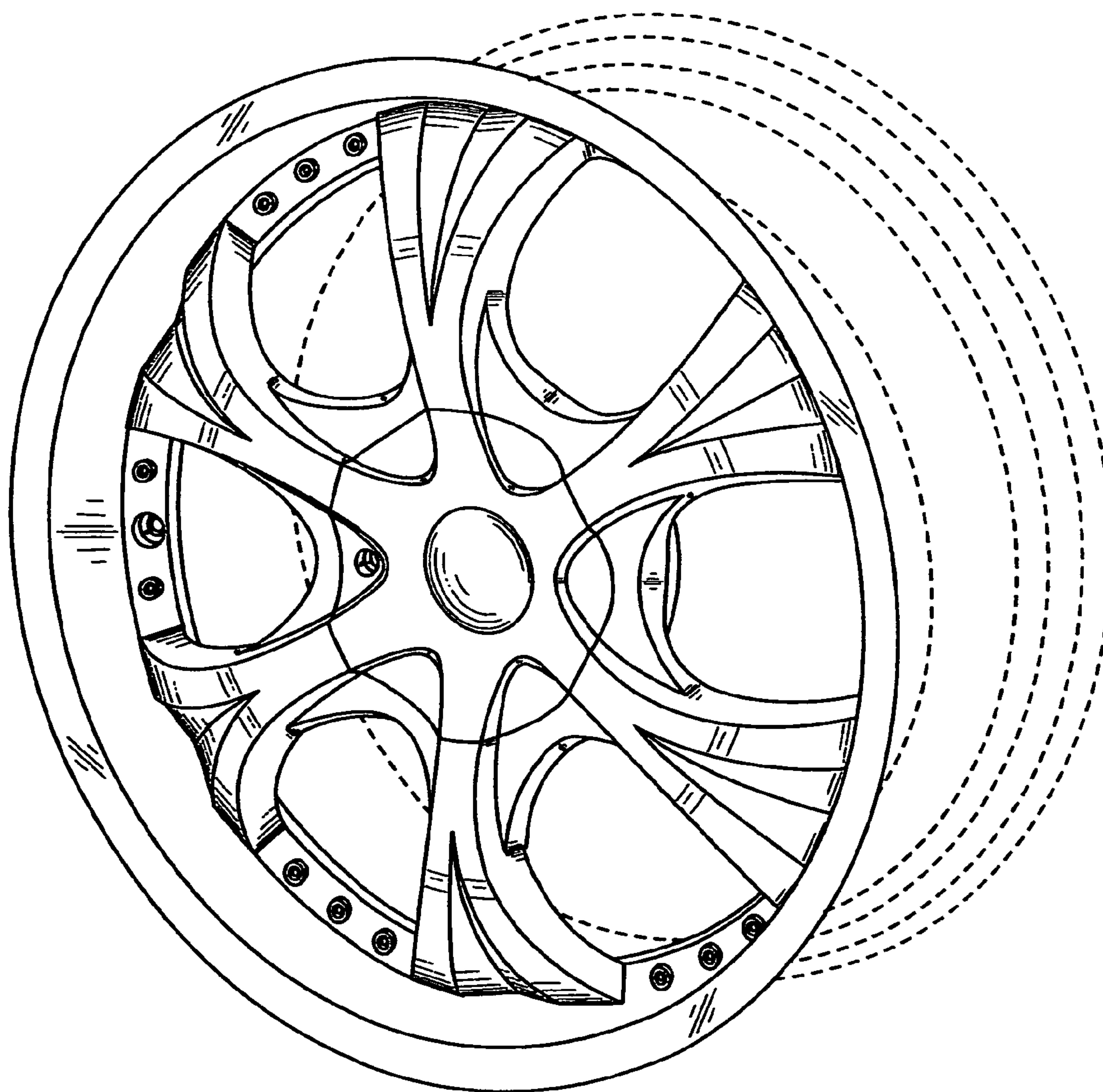


Fig. 1

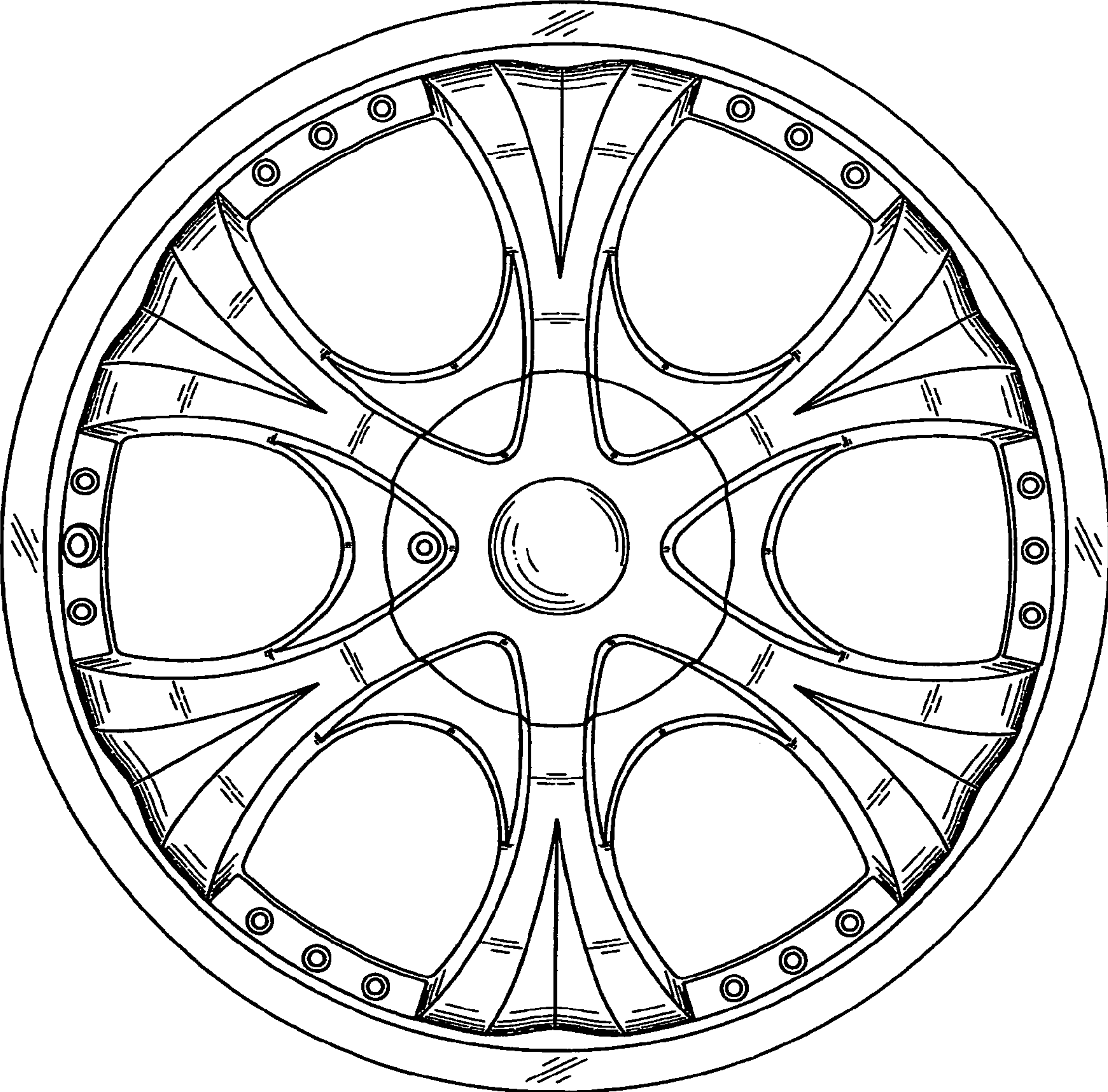


Fig. 2