



US00D574757S

(12) **United States Design Patent**
Chen

(10) **Patent No.:** **US D574,757 S**
(45) **Date of Patent:** **** Aug. 12, 2008**

(54) **STROLLER**

(76) Inventor: **Shun-Min Chen**, 2F-4, No. 116-3, Tze Chiang Rd., Tan Shui, Taipei Hsien (TW)

(**) Term: **14 Years**

(21) Appl. No.: **29/203,043**

(22) Filed: **Apr. 7, 2004**

Related U.S. Application Data

(63) Continuation of application No. 29/157,008, filed on Mar. 11, 2002, now Pat. No. Des. 494,511.

(51) **LOC (8) Cl.** **12-12**

(52) **U.S. Cl.** **D12/129**

(58) **Field of Classification Search** D12/128-133, D12/16, 85; 267/5; 135/65-67, 74, 912; 280/62, 647-650, 29, 200, 47.38, 250.1, 280/259, 642, 658; 297/DIG. 4; 296/65.03, 296/65.04; 224/409; D6/364; D34/15; 180/6.5, 180/65.1, 65.6, 65.8, 208, 907, 906
See application file for complete search history.

(56) **References Cited**

U.S. PATENT DOCUMENTS

D305,218 S * 12/1989 Nakao et al. D12/129
4,930,697 A * 6/1990 Takahashi et al. 224/275
D317,280 S * 6/1991 Takahashi et al. D12/129
5,181,735 A * 1/1993 Onishi 280/642
6,155,740 A * 12/2000 Hartenstine 403/102

D449,568 S * 10/2001 Julien et al. D12/129
D450,265 S * 11/2001 Hsia D12/129
6,464,242 B2 * 10/2002 Suzuki 280/642
D470,802 S 2/2003 You
D476,603 S * 7/2003 Maxisch D12/129
D476,926 S 7/2003 Chen
D483,703 S * 12/2003 Kassai et al. D12/133
D494,511 S * 8/2004 Chen D12/129
6,938,914 B2 * 9/2005 Kassai et al. 280/642
D515,473 S * 2/2006 Cheng et al. D12/129

* cited by examiner

Primary Examiner—Charles A. Rademaker

Assistant Examiner—Charles D Hanson

(74) *Attorney, Agent, or Firm*—Bacon & Thomas, PLLC

(57) **CLAIM**

The ornamental design for a stroller, as shown and described.

DESCRIPTION

FIG. 1 is a perspective view of a stroller, showing my new design;

FIG. 2 is a right side view thereof;

FIG. 3 is a left side view thereof;

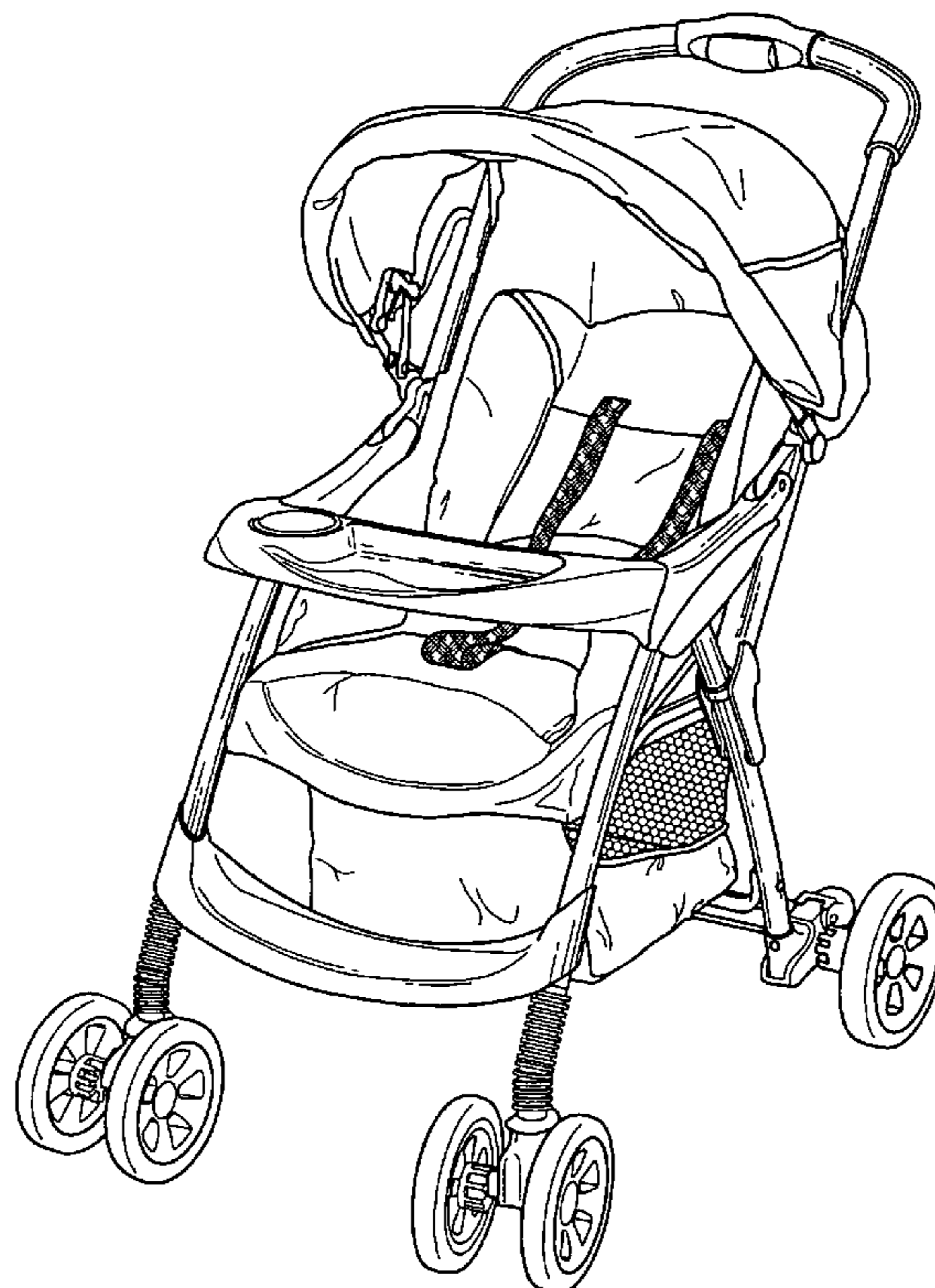
FIG. 4 is a front view thereof;

FIG. 5 is a rear view thereof;

FIG. 6 is a top view thereof; and,

FIG. 7 is a bottom view thereof.

1 Claim, 7 Drawing Sheets



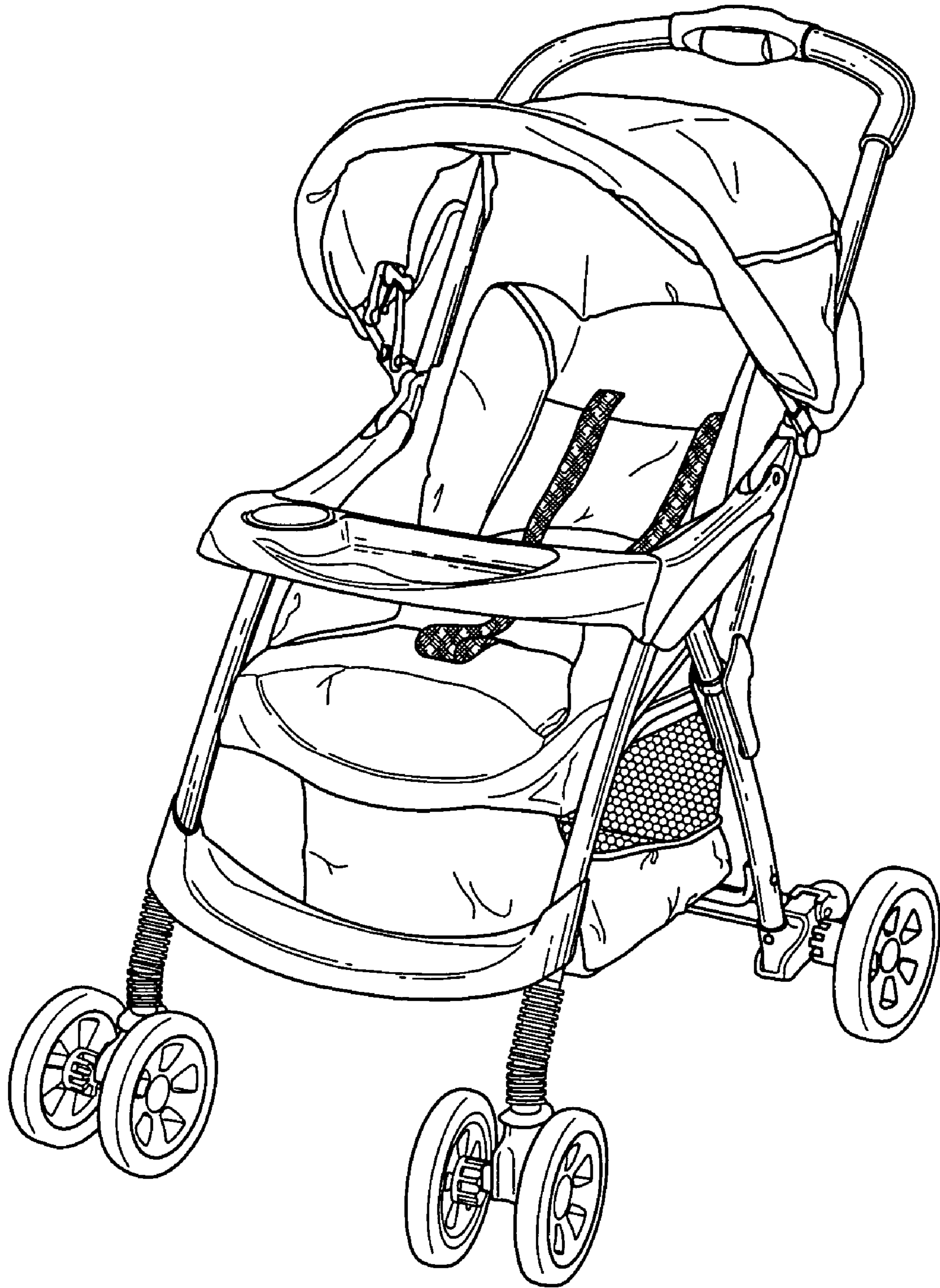


Fig. 1



Fig. 2



Fig. 3

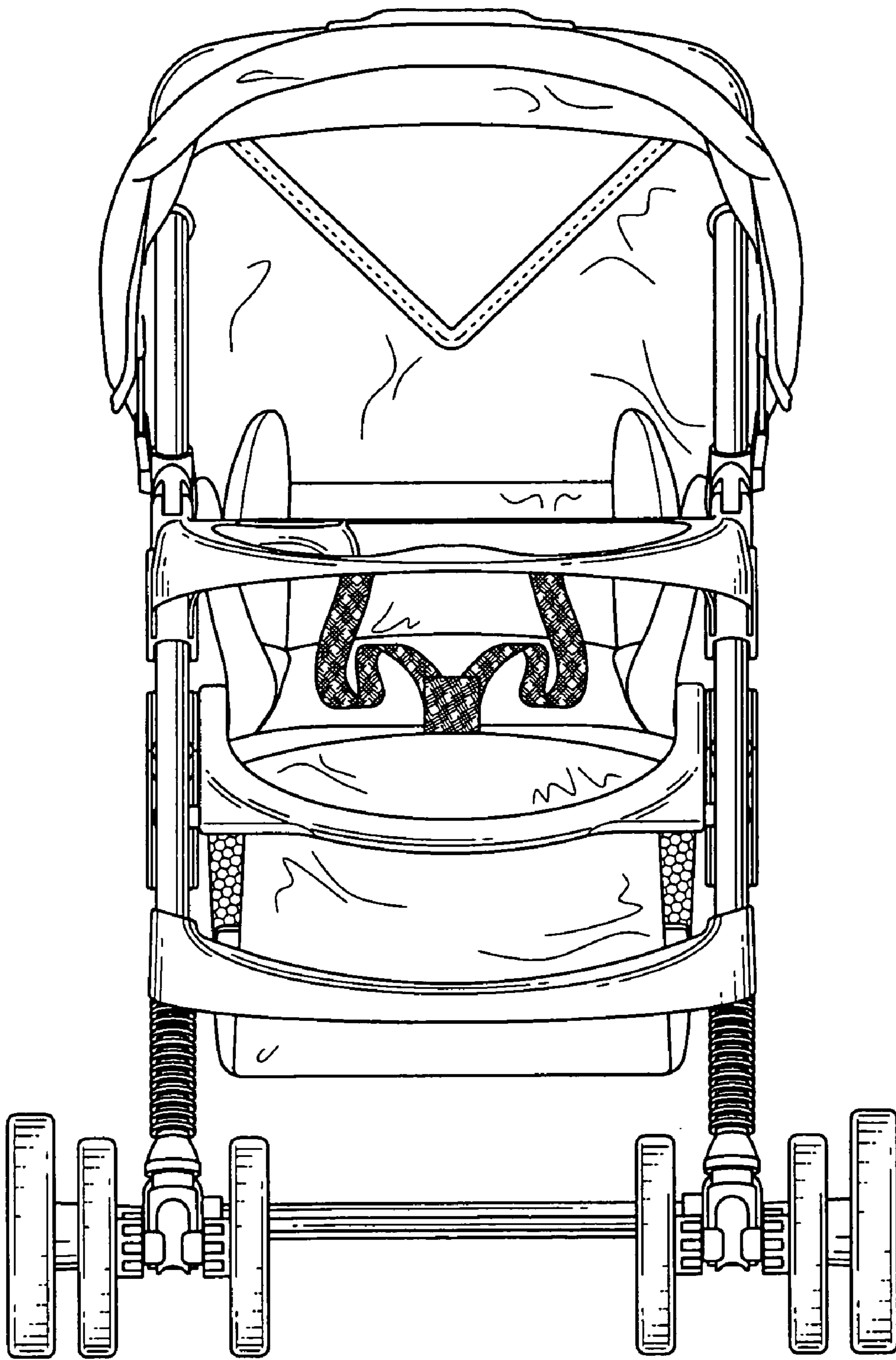


Fig. 4

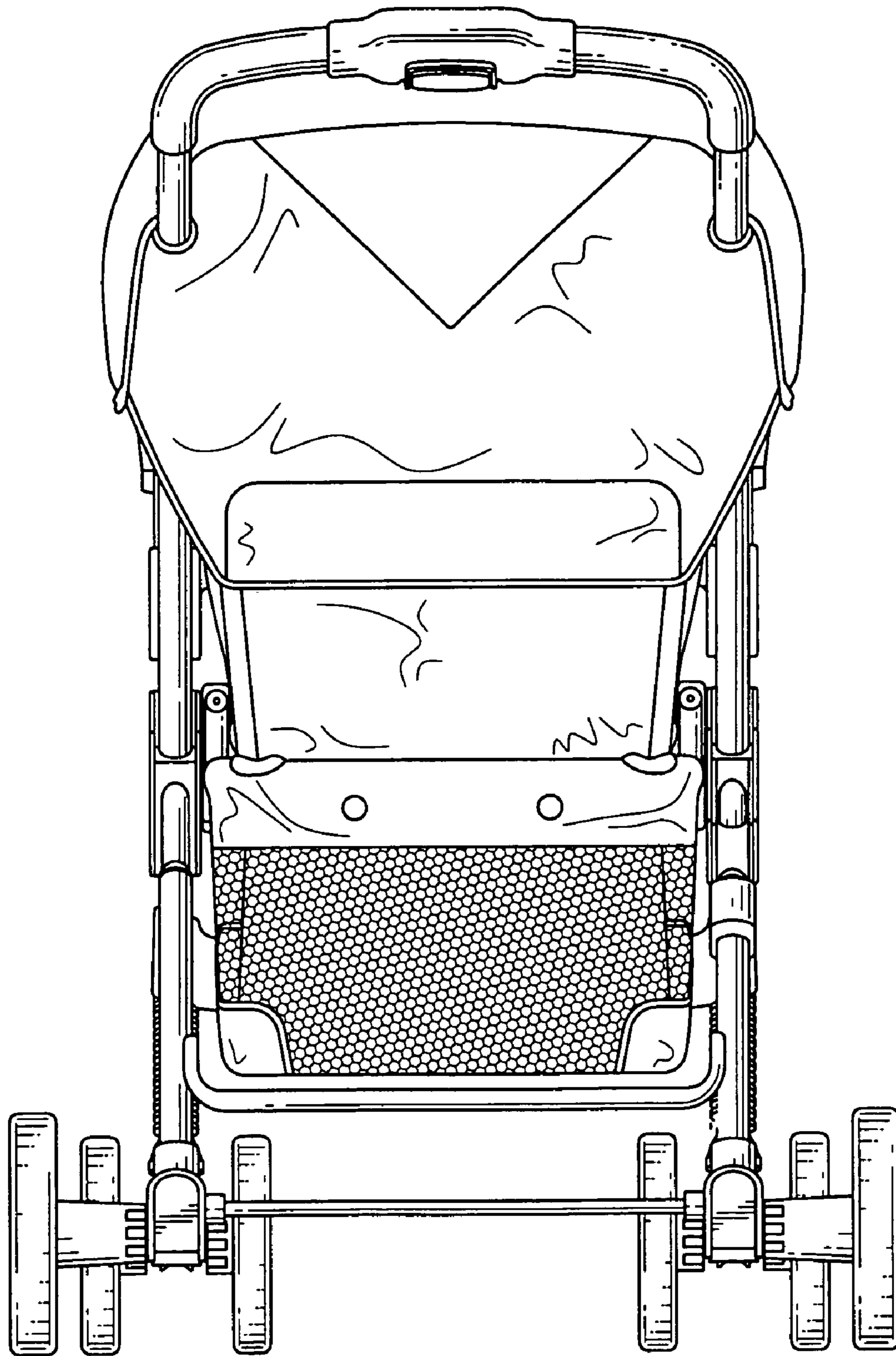


Fig. 5

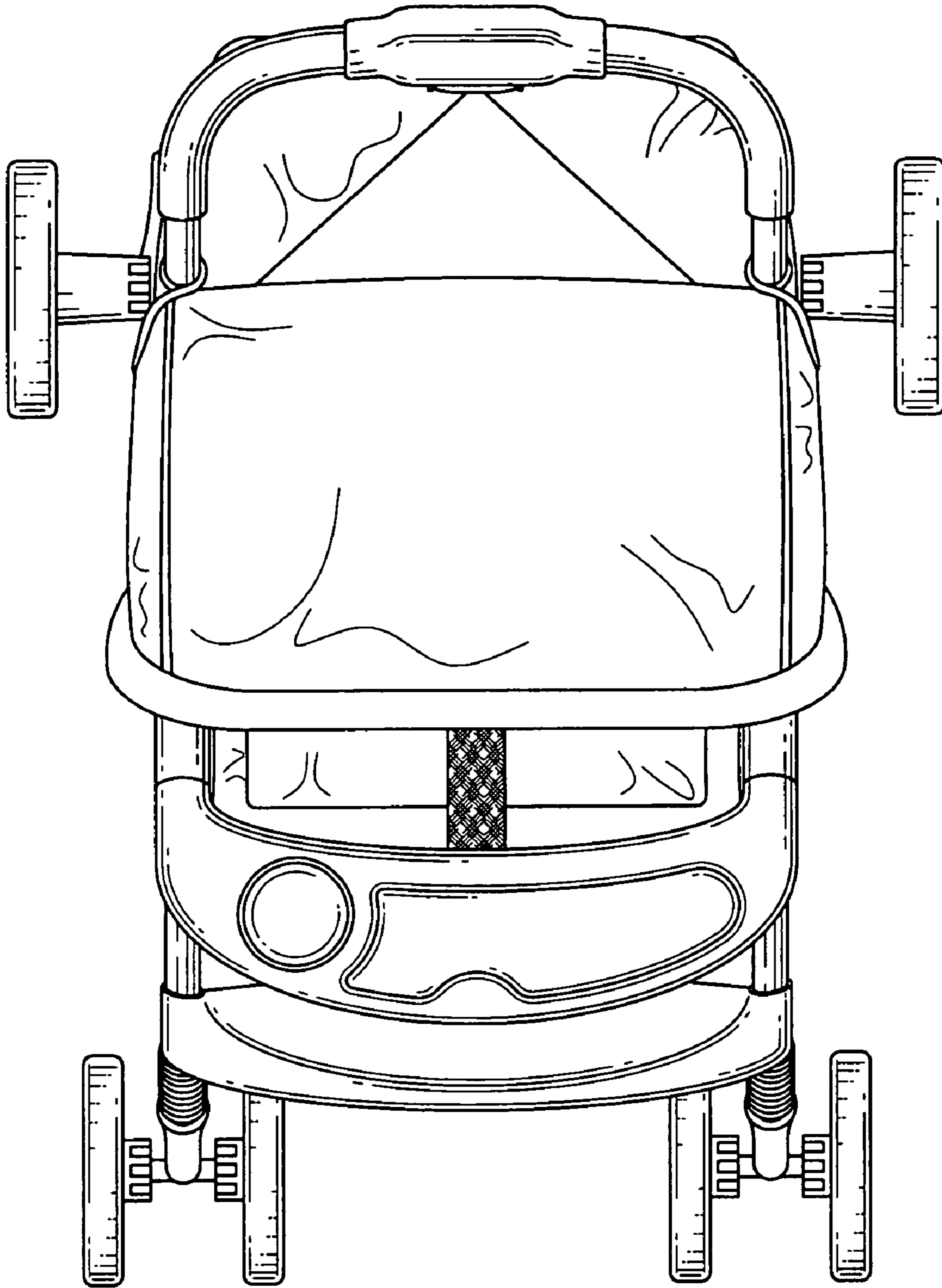


Fig. 6

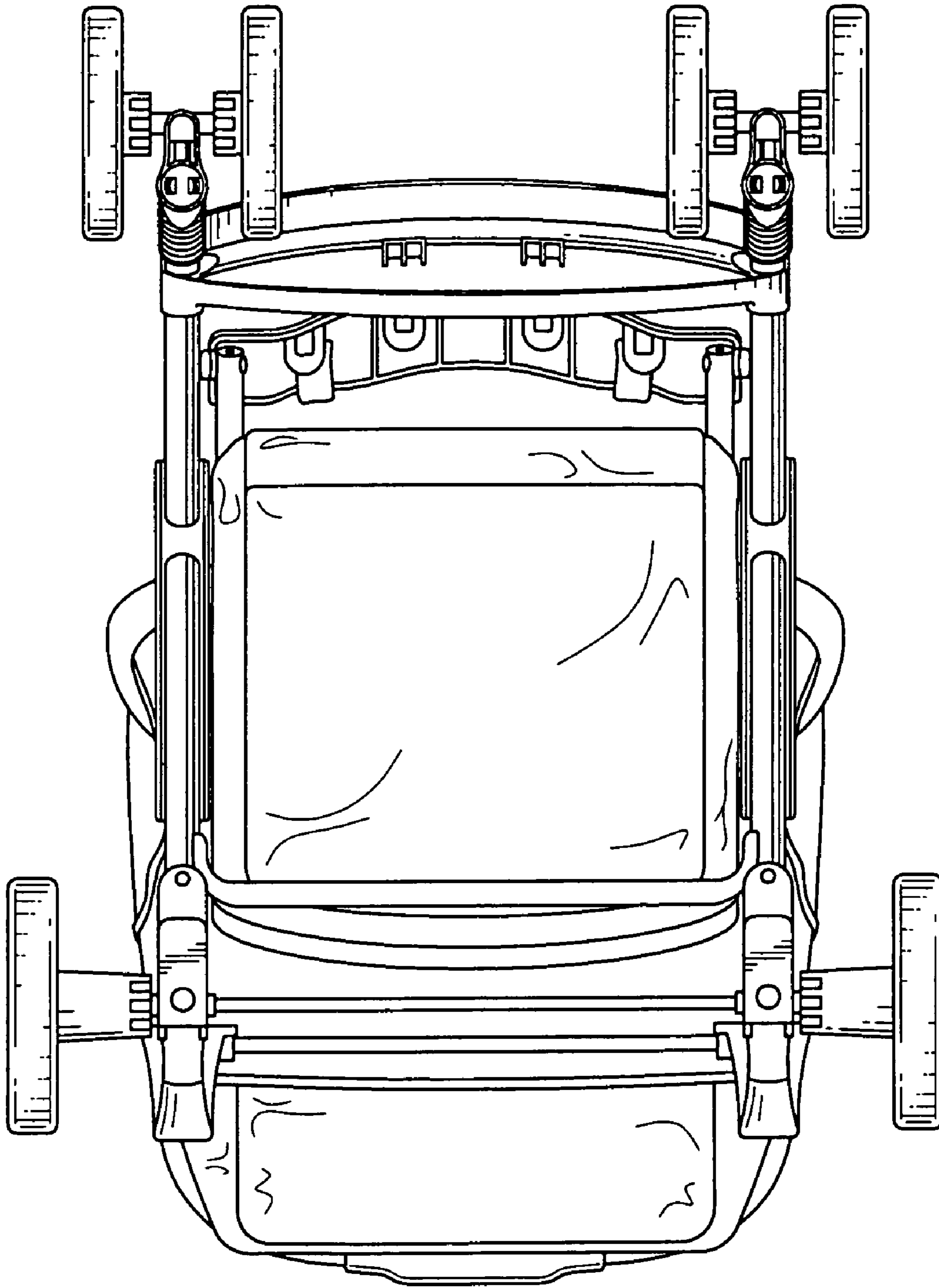


Fig. 7