



US00D574750S

(12) **United States Design Patent**
Sano

(10) **Patent No.:** **US D574,750 S**

(45) **Date of Patent:** **** Aug. 12, 2008**

(54) **BANQUET ORNAMENT**

(75) Inventor: **Akihito Sano**, Osaka (JP)

(73) Assignee: **AKI Enterprise Co., Ltd.**, Osaka (JP)

(**) Term: **14 Years**

(21) Appl. No.: **29/248,027**

(22) Filed: **Jul. 26, 2006**

(30) **Foreign Application Priority Data**

Mar. 14, 2006 (JP) 2006-0063320

(51) **LOC (8) Cl.** **11-02**

(52) **U.S. Cl.** **D11/157**

(58) **Field of Classification Search** D11/26-39,
D11/157, 184; 63/15, 26, 28; 248/500
See application file for complete search history.

(56) **References Cited**

U.S. PATENT DOCUMENTS

3,197,166	A *	7/1965	Sandler	248/500
D315,698	S *	3/1991	Abraham	D11/34
6,012,302	A *	1/2000	Hurwitz et al.	63/26
D454,315	S *	3/2002	Ambar	D11/34
D566,604	S *	4/2008	Coin	D11/35

* cited by examiner

Primary Examiner—Louis S Zarfaz

Assistant Examiner—Michelle E Wilson

(74) *Attorney, Agent, or Firm*—Greenblum & Bernstein, P.L.C.

(57) **CLAIM**

I claim the ornamental design for a banquet ornament, as shown and described.

DESCRIPTION

FIG. 1 is a front perspective view of an embodiment of a banquet ornament, showing my new design;

FIG. 2 is a front elevational view of the embodiment of FIG. 1;

FIG. 3 is a right side elevational view of the embodiment of FIG. 1;

FIG. 4 is a top plan view of the embodiment of FIG. 1;

FIG. 5 is a bottom plan view of the embodiment of FIG. 1;

FIG. 6 is a cross sectional view thereof, taken along lines 6—6;

FIG. 7 is a cross sectional view thereof, taken along lines 7—7; and,

FIG. 8 is a partially cut away front elevational view of the embodiment of FIG. 1, showing the banquet ornament in use.

The left side elevational view and the rear elevational view have not been included because they are mirror images of the right side elevational view and the front elevational view, respectively.

1 Claim, 8 Drawing Sheets

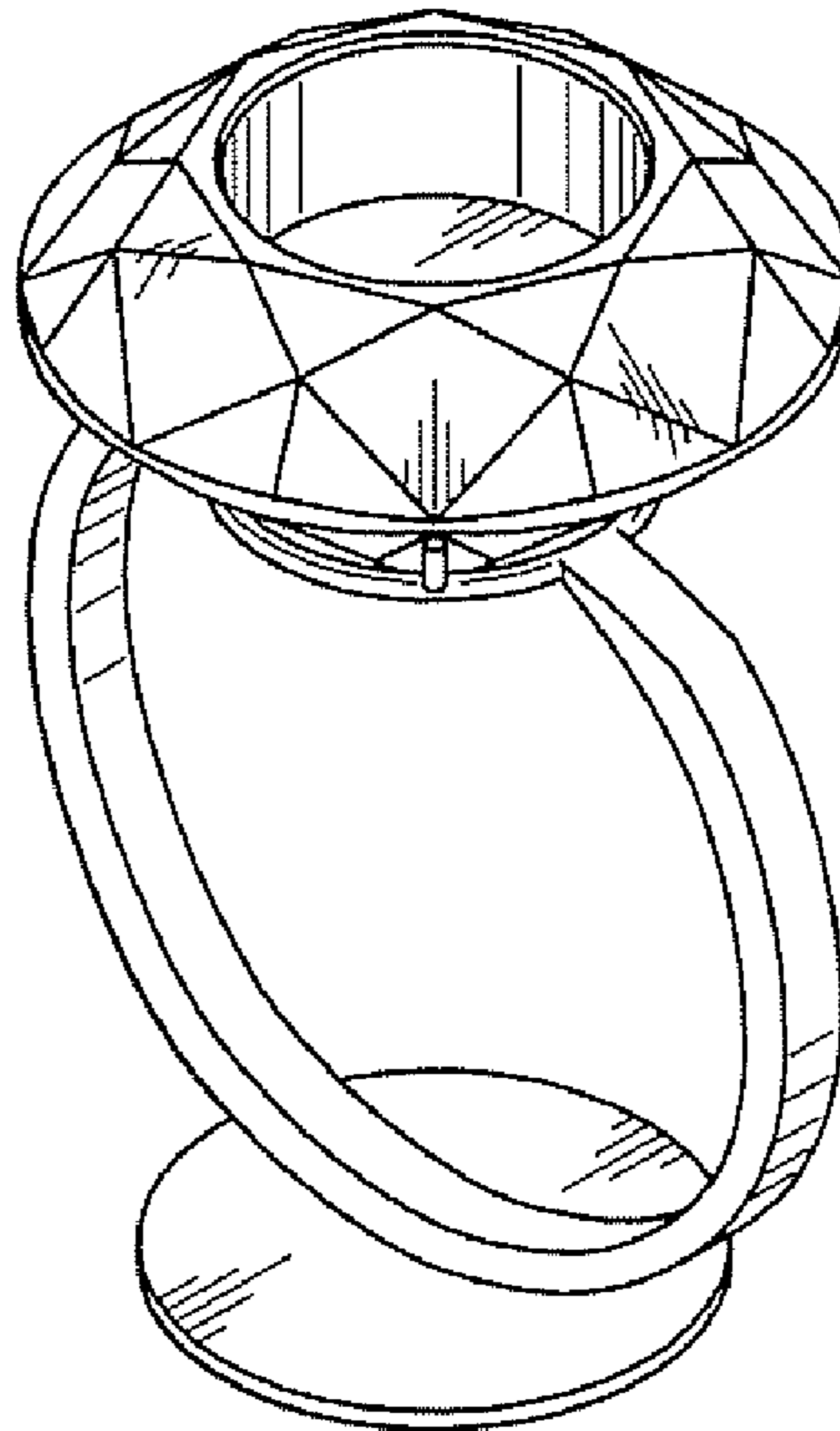


FIG. 1

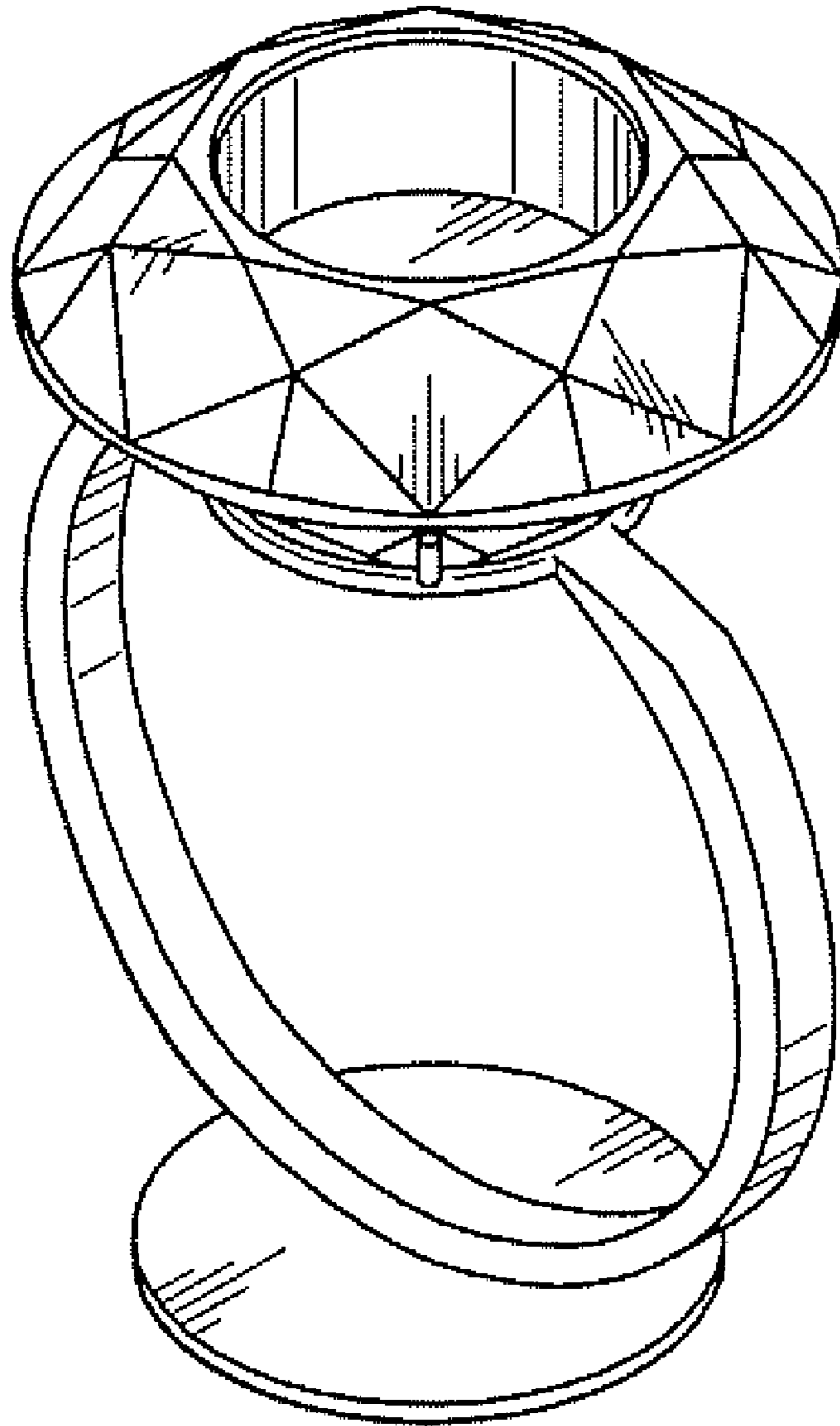


FIG. 2

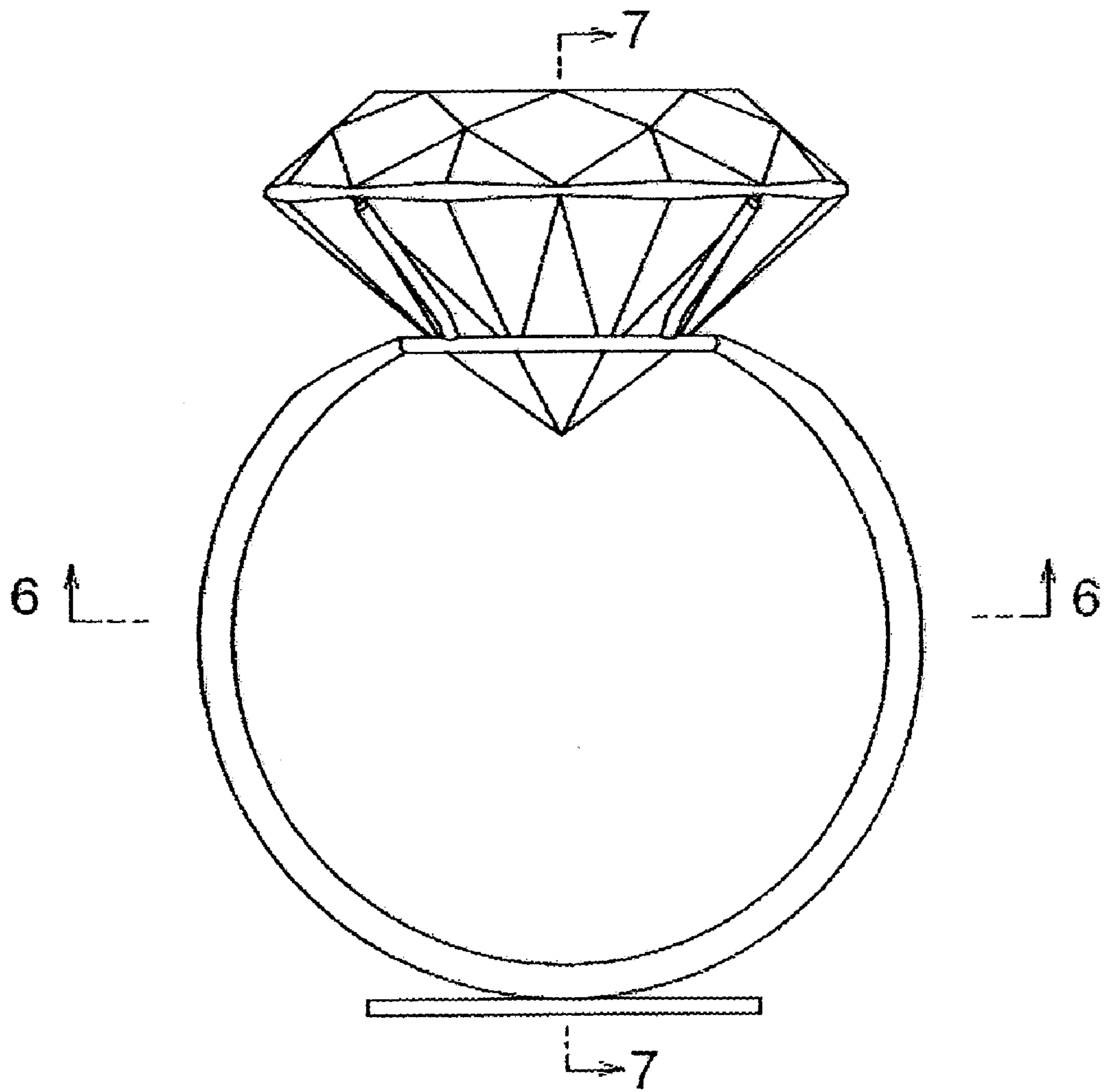


FIG. 3

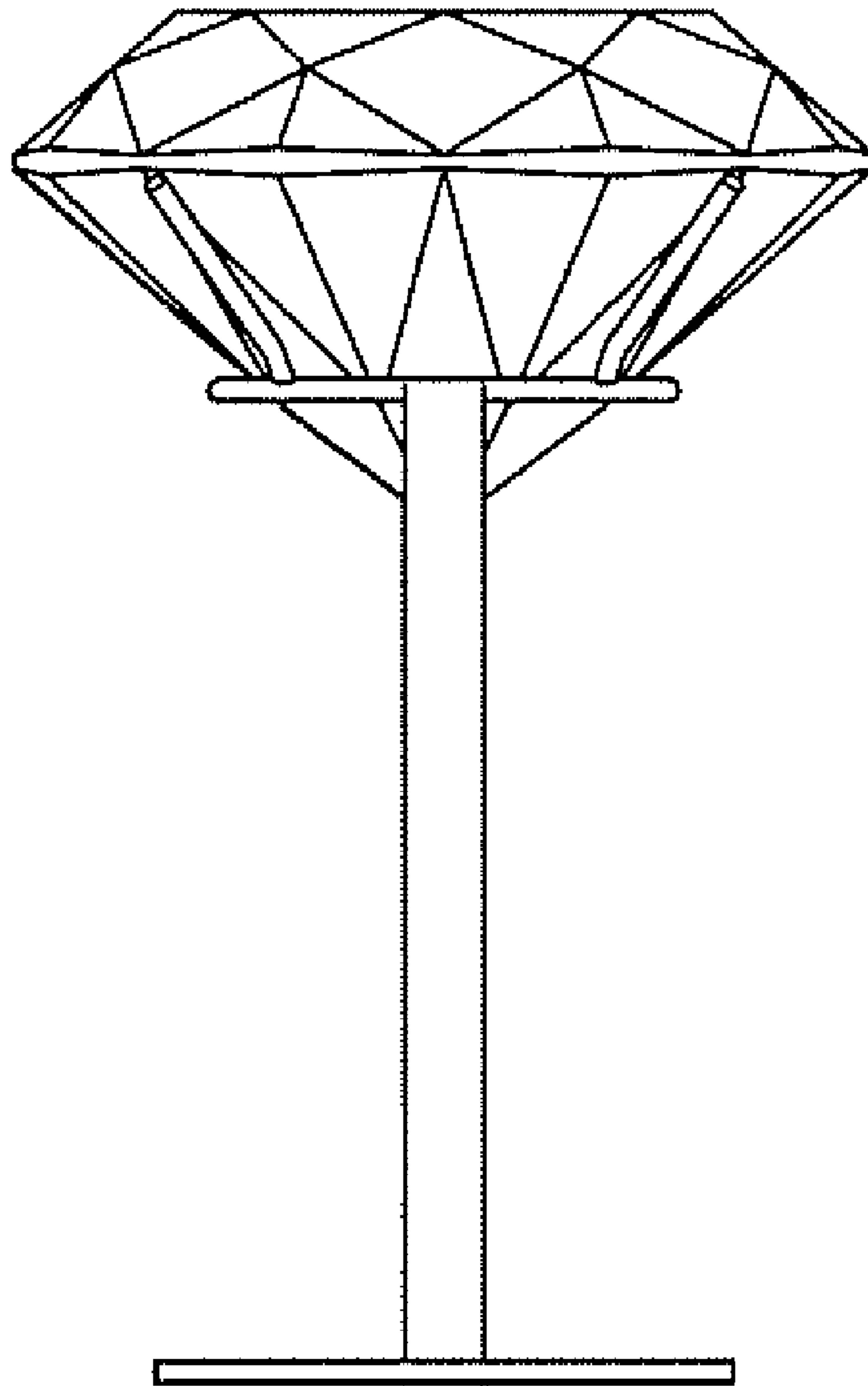


FIG. 4

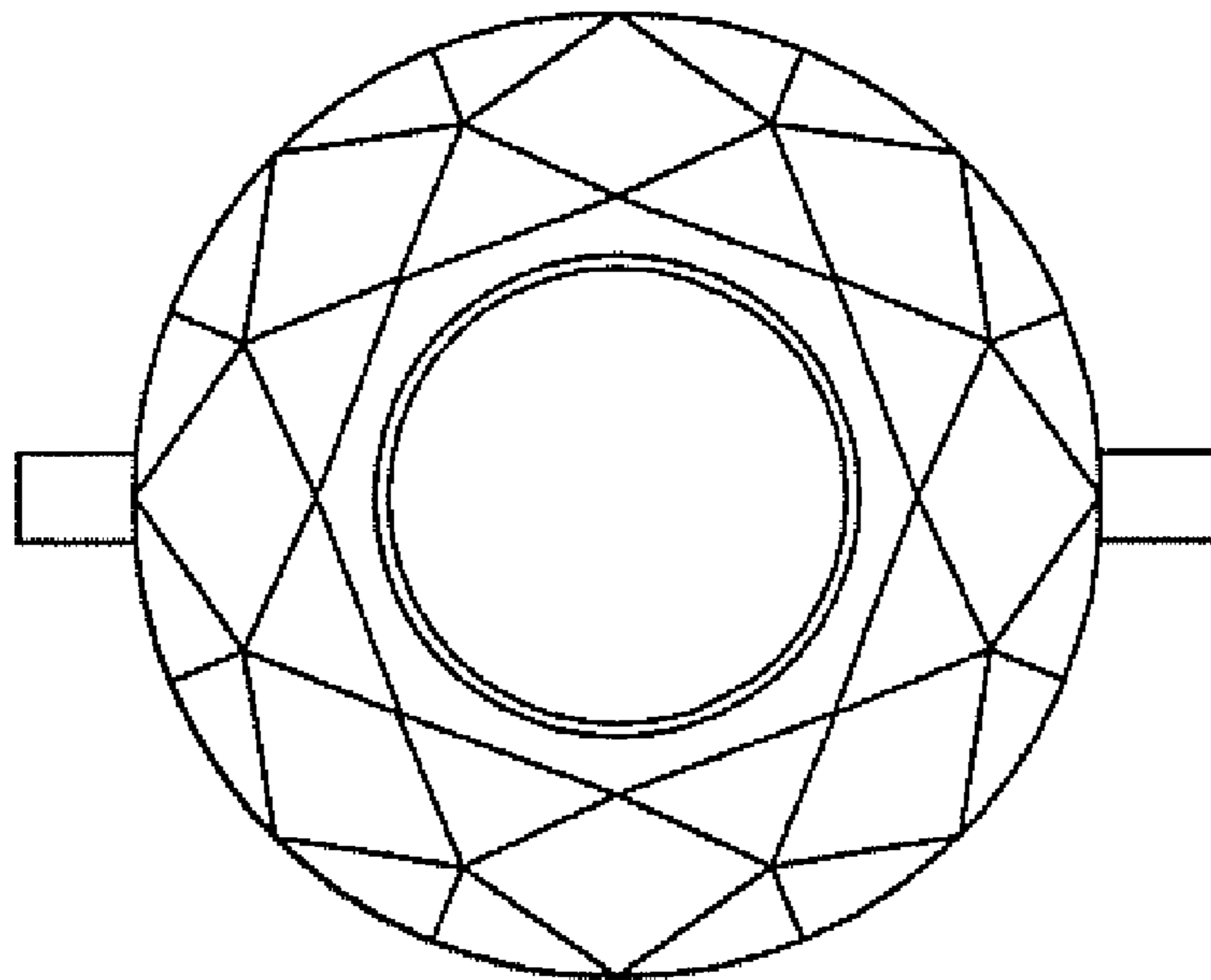


FIG. 5

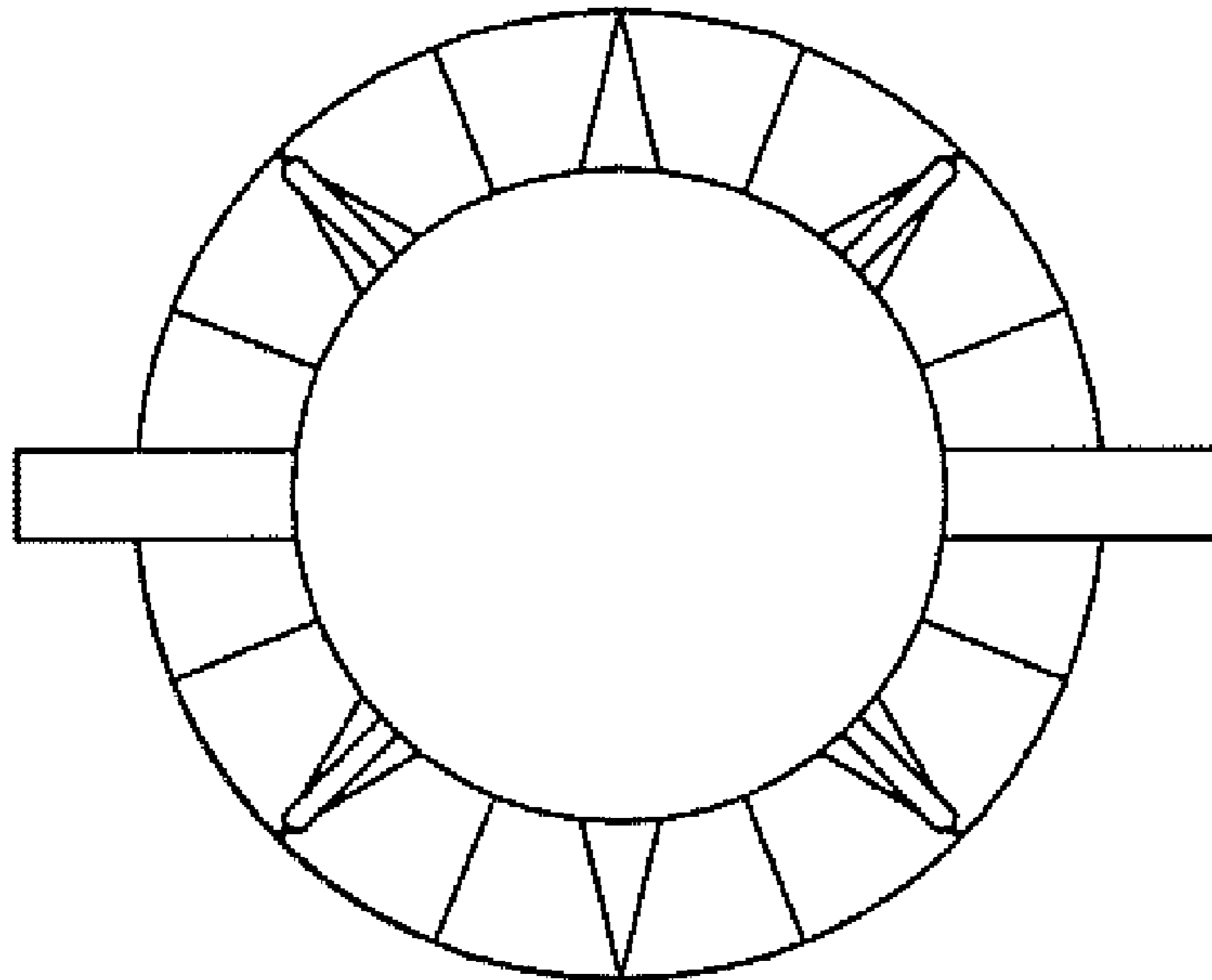


FIG. 6

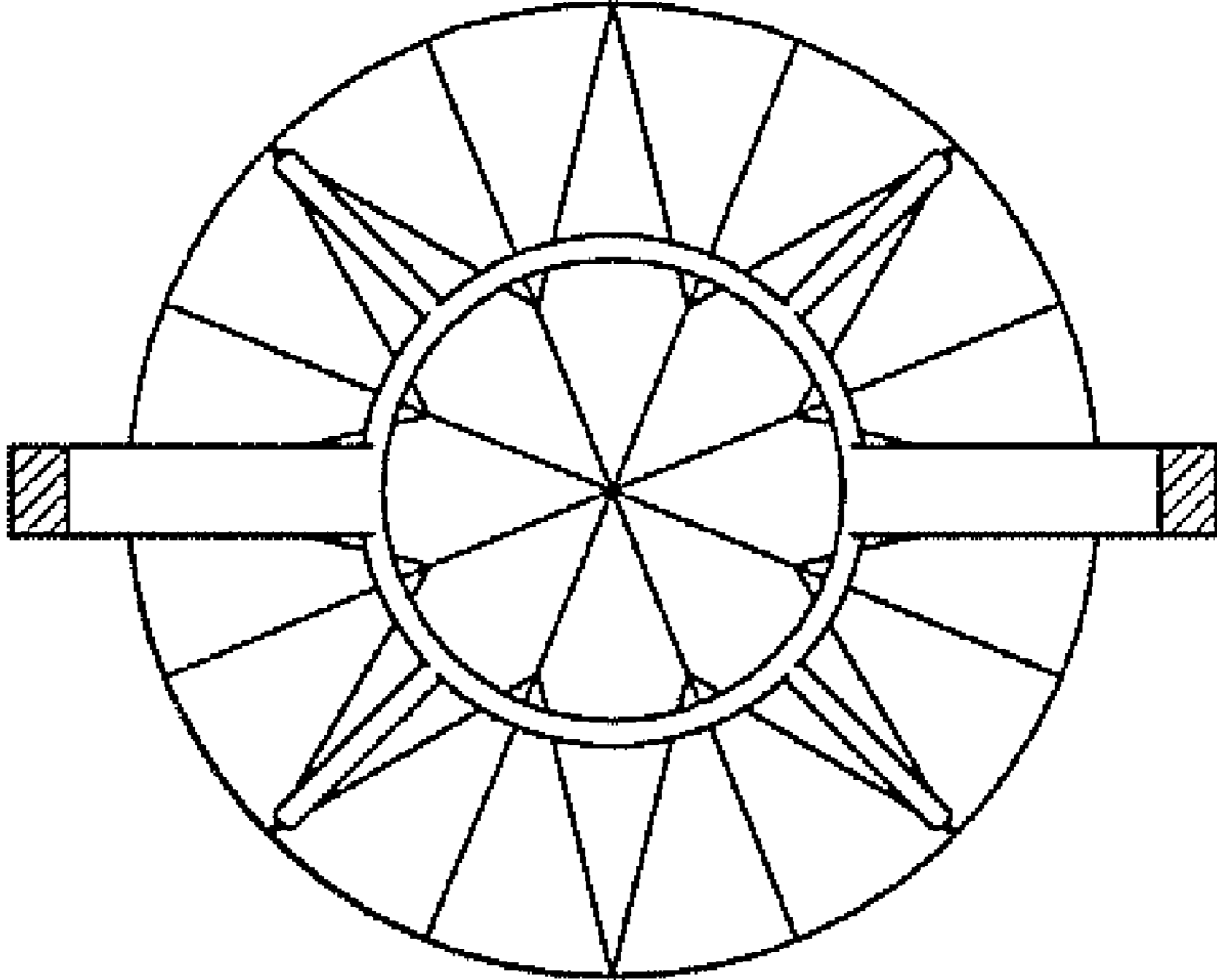


FIG. 7

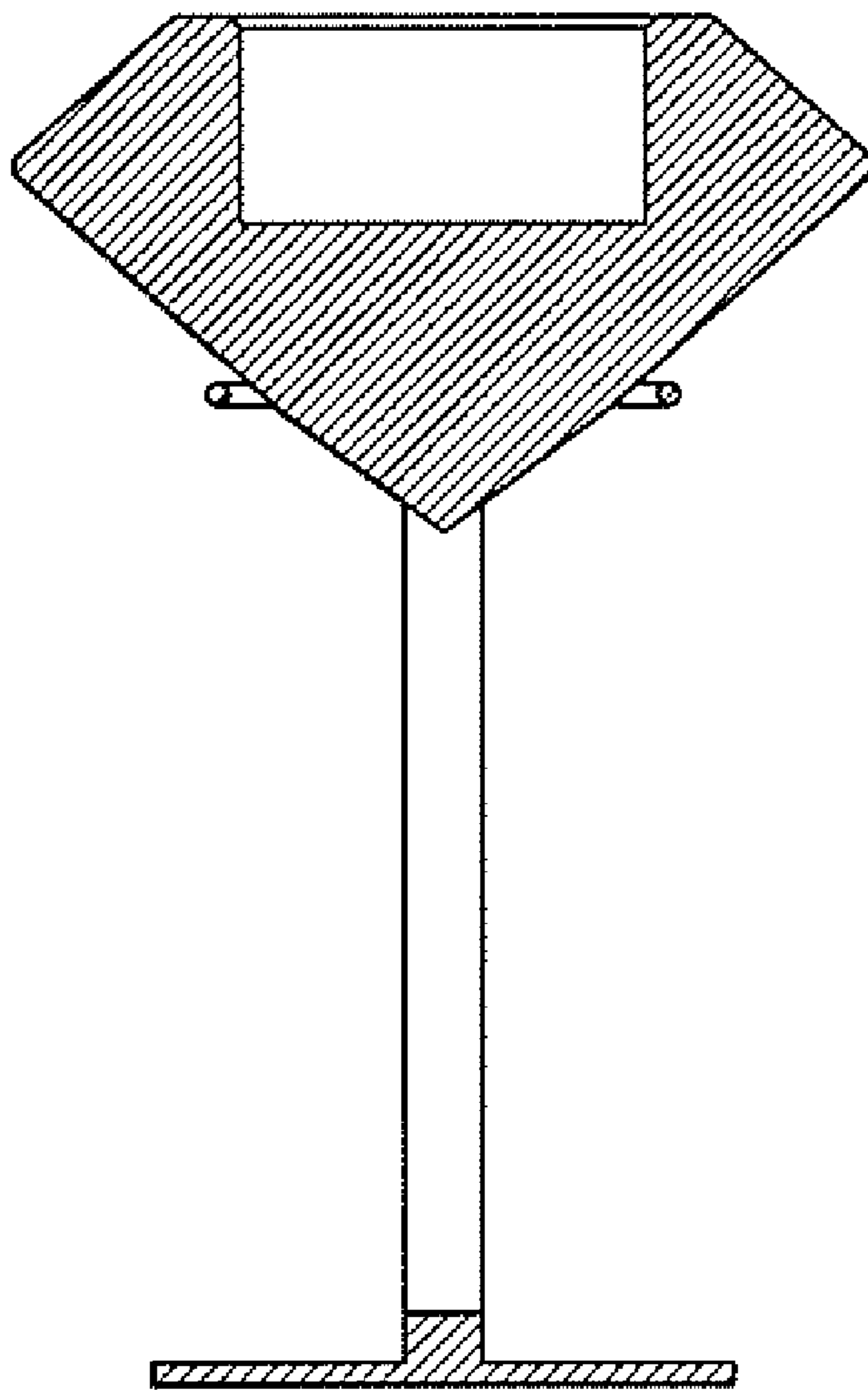


FIG. 8

