



US00D574745S

(12) **United States Design Patent**
Nolan

(10) **Patent No.:** **US D574,745 S**
(45) **Date of Patent:** **** Aug. 12, 2008**

(54) **EARRING BACK CLASP**

FOREIGN PATENT DOCUMENTS

(76) Inventor: **Phyllis Carol Nolan**, P.O. Box 220, Park Hill, OK (US) 74451-0220

GB 2234153 * 1/1991

* cited by examiner

(**) Term: **14 Years**

Primary Examiner—Louis S Zarfaz

Assistant Examiner—Michael A Pratt

(21) Appl. No.: **29/280,979**

(74) *Attorney, Agent, or Firm*—Fellers, Snider, Blankenship, Bailey & Tippens, P.C.; Dennis D. Brown

(22) Filed: **Jun. 12, 2007**

(57) **CLAIM**

(51) **LOC (8) Cl.** **11-01**

(52) **U.S. Cl.** **D11/41**

(58) **Field of Classification Search** D11/1-24,
D11/30, 40, 41, 42, 43, 44, 45, 47, 48, 49,
D11/79, 80, 86, 89, 90, 91, 92, 93, 117, 120,
D11/121, 122, 139, 143, 144, 151; 63/3,
63/3.1, 3.2, 4, 5.1, 7, 10, 11, 15, 15.7, 18,
63/21, 35, 37, 38; 224/175

See application file for complete search history.

The ornamental design for an earring back clasp, as shown and described.

DESCRIPTION

FIG. 1 is a perspective view of an earring back clasp illustrating my new design.

FIG. 2 is a front elevational view thereof, the rear elevational view being a mirror image of this view.

FIG. 3 is a right side elevational view thereof, the left side elevational view being a mirror image of this view.

FIG. 4 is a top plan view thereof; and,

FIG. 5 is a bottom plan view thereof.

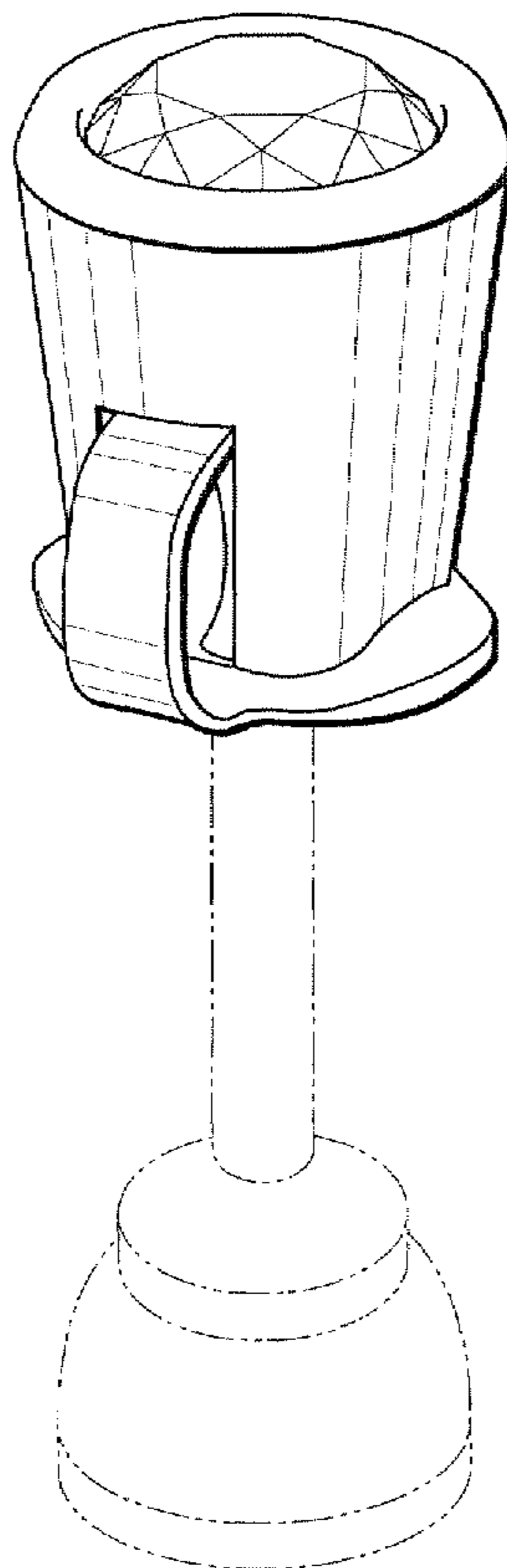
The broken lines are included for the purpose of illustrating environment and forms no part of the claimed design.

(56) **References Cited**

U.S. PATENT DOCUMENTS

- D265,811 S * 8/1982 Barr D11/76
- 4,382,317 A * 5/1983 McDonald et al. D11/226
- D305,214 S * 12/1989 Campbell D11/26
- D541,694 S 5/2007 Ping
- D542,170 S 5/2007 Bruno et al.
- D542,696 S 5/2007 Cilluffo

1 Claim, 2 Drawing Sheets



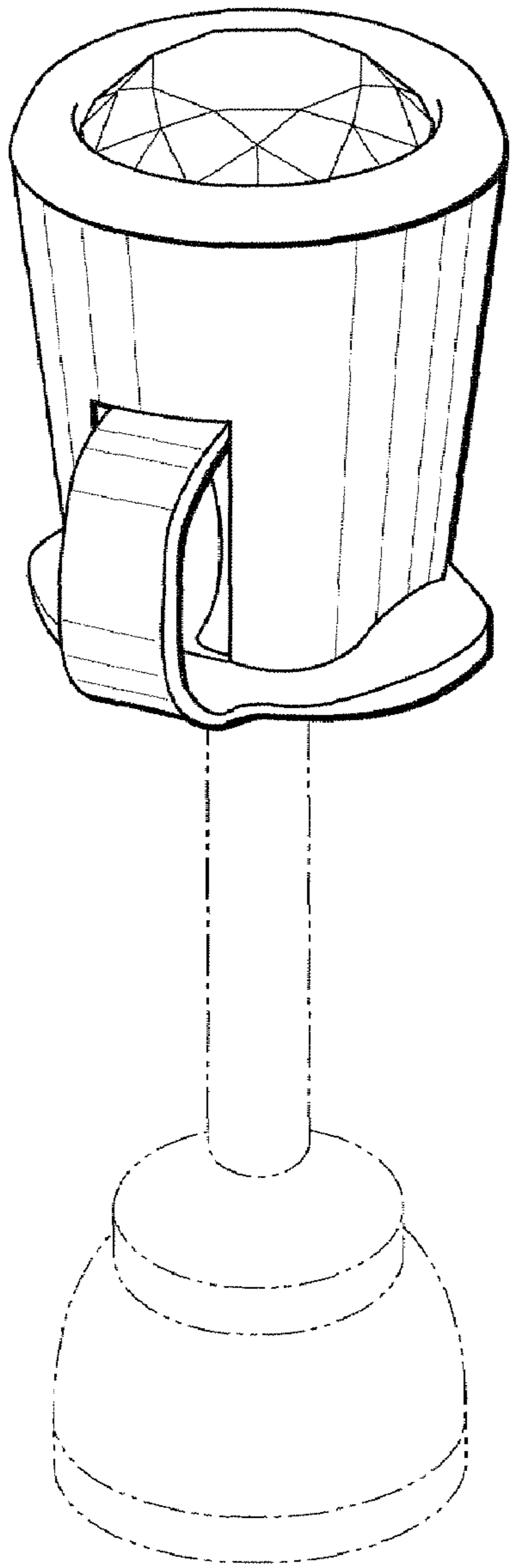


Fig. 1

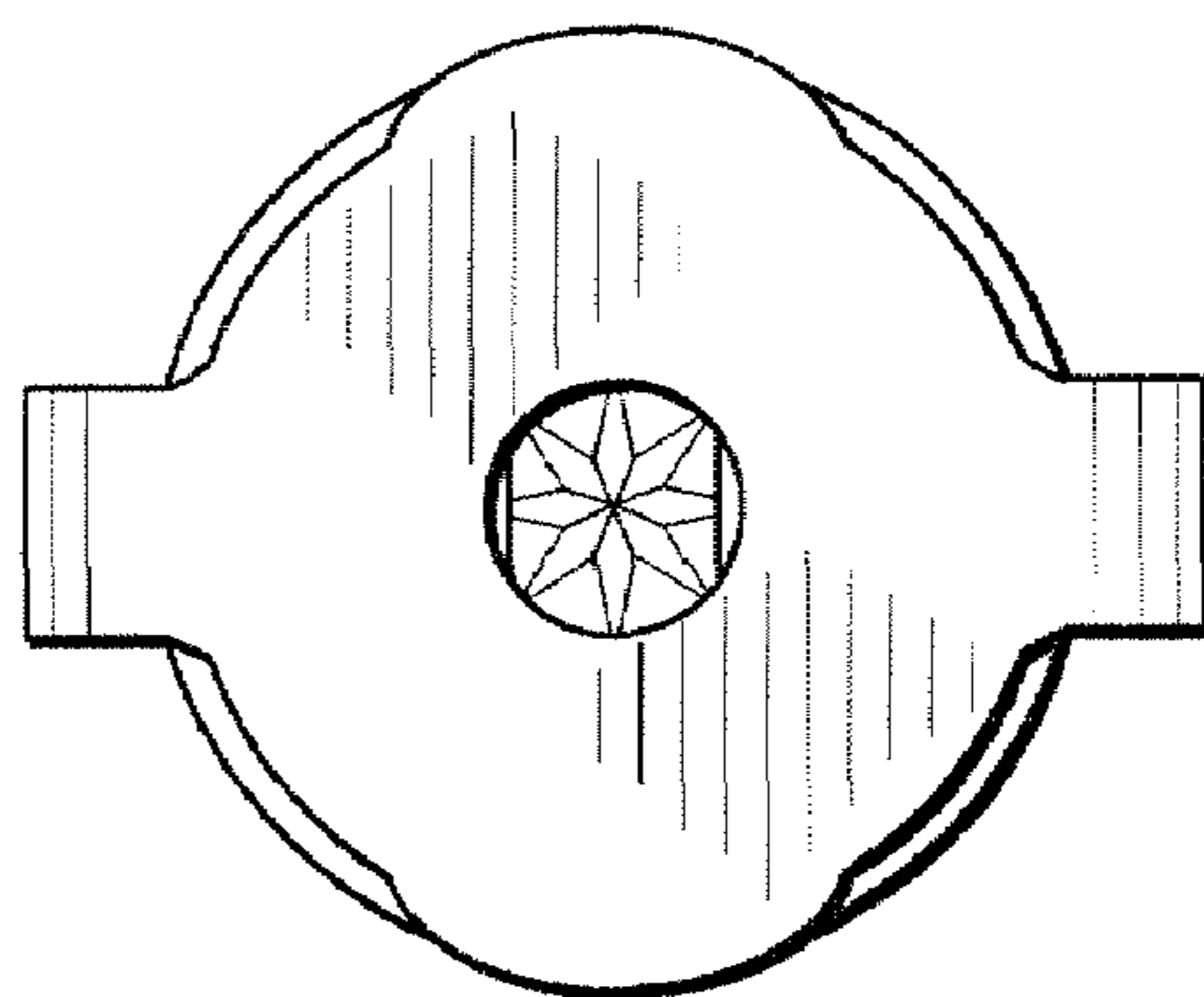


Fig. 5

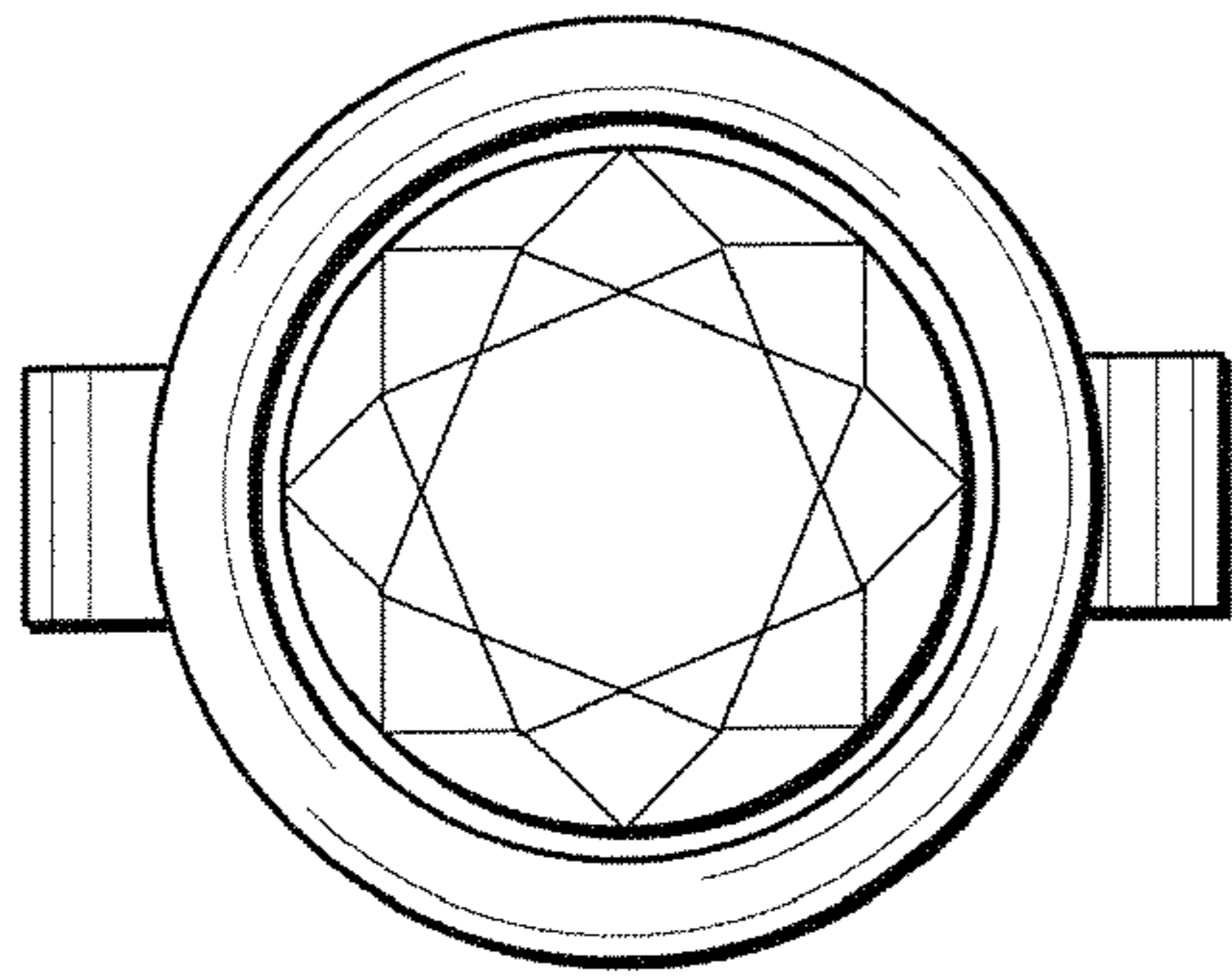


Fig. 4

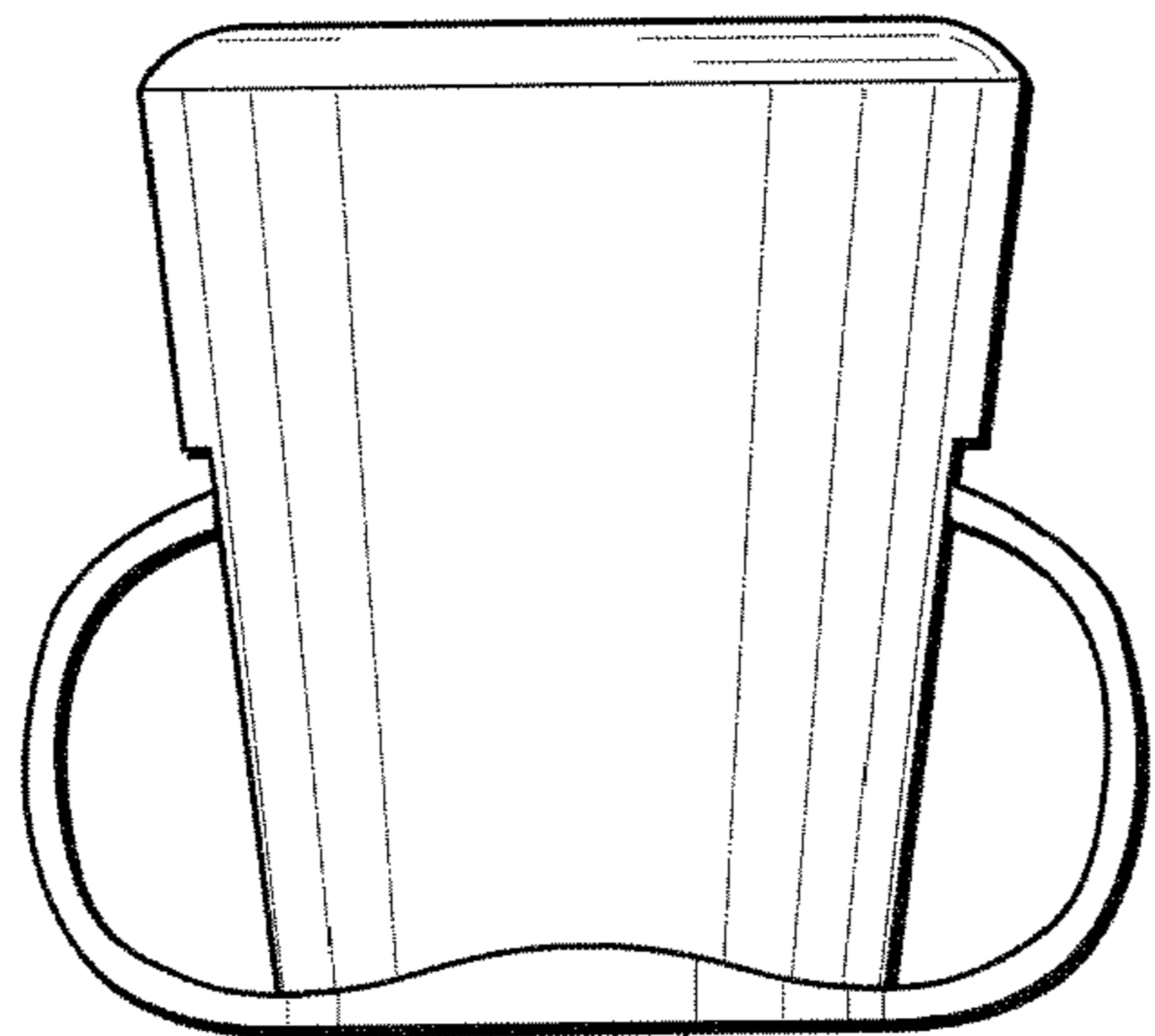


Fig. 2

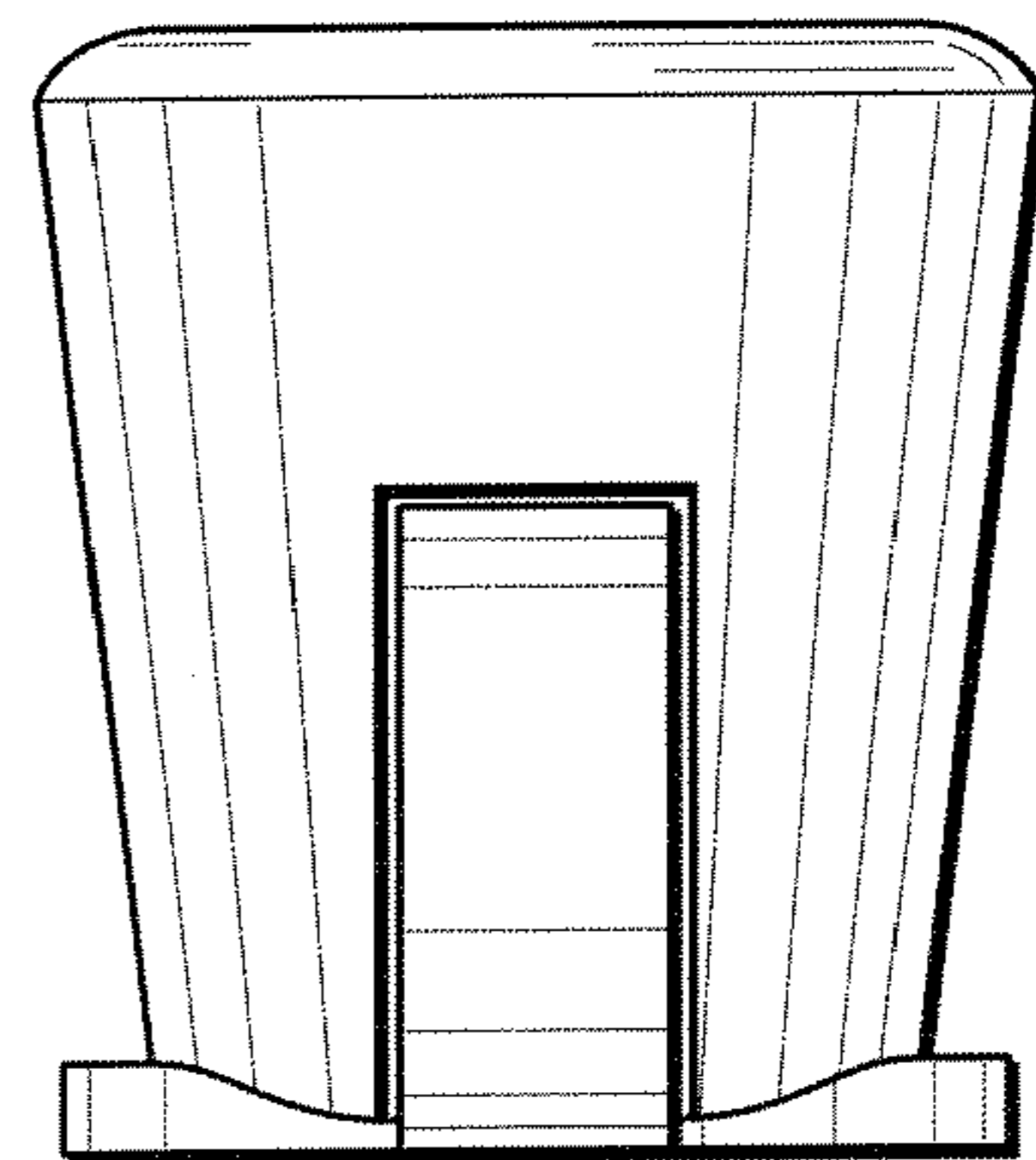


Fig. 3