

US00D574744S

(12) **United States Design Patent**  
**Larsen**

(10) **Patent No.:** **US D574,744 S**

(45) **Date of Patent:** **\*\* Aug. 12, 2008**

(54) **RING**

D557,170 S \* 12/2007 Hardy ..... D11/38

(76) Inventor: **J Courtney Larsen**, 6164 Spruce  
Meadows Loop, Anchorage, AK (US)  
99507

(\*\*) Term: **14 Years**

(21) Appl. No.: **29/295,253**

(22) Filed: **Sep. 24, 2007**

(51) **LOC (8) Cl.** ..... **11-01**

(52) **U.S. Cl.** ..... **D11/37**

(58) **Field of Classification Search** ..... D11/3,  
D11/26-39; 63/15, 15.1-15.4, 15.45, 15.5,  
63/15.6, 15.65, 15.7, 26-27

See application file for complete search history.

(56) **References Cited**

**U.S. PATENT DOCUMENTS**

D136,039 S *	7/1943	Lampi	.....	D11/38
D243,599 S *	3/1977	Gilmartin	.....	D11/27
D491,834 S *	6/2004	Flynn	.....	D11/26
D524,185 S *	7/2006	Arlanda	.....	D11/38
D534,829 S *	1/2007	Arlanda	.....	D11/38
D546,727 S *	7/2007	Hardy	.....	D11/38
D546,728 S *	7/2007	Hardy	.....	D11/38

**OTHER PUBLICATIONS**

Inventor Affidavit as to dates of disclosure and/or sale.  
U.S. Appl. No 29/295,064 filed Sep. 20, 2007; Inventor: J Courtney  
Larsen. Copy not provided as application is available in IFW system  
per 37 CFR 1.98(a)(2)(iii).

\* cited by examiner

*Primary Examiner*—Ian Simmons

*Assistant Examiner*—Melanie Levy

(74) *Attorney, Agent, or Firm*—Margaret Polson; Patent Law  
Offices of Rick Martin, P.C.

(57) **CLAIM**

The ornamental design for a ring, as shown and described.

**DESCRIPTION**

FIG. 1 is a top and bottom plan view, which are identical, of  
my new design for a ring.

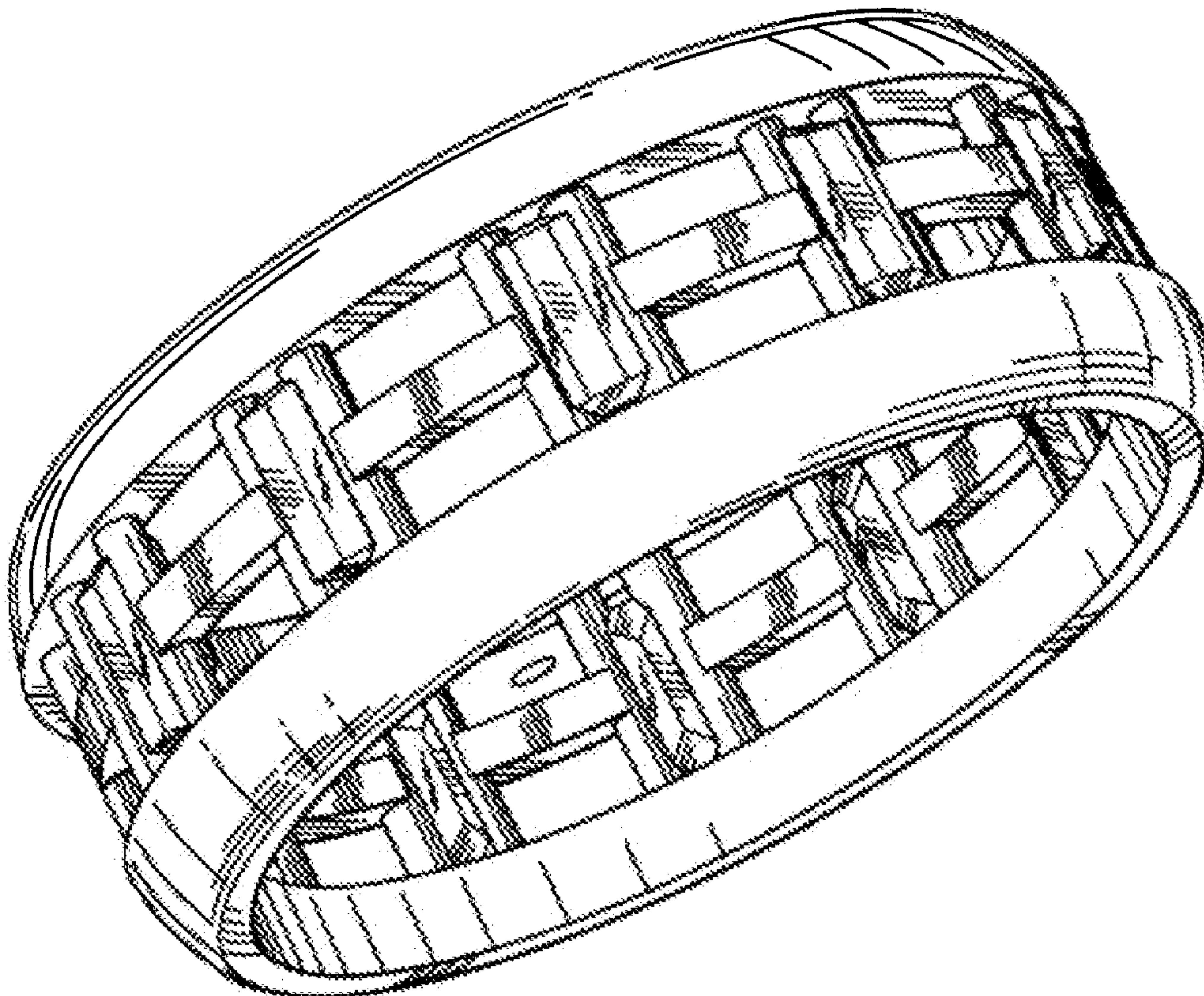
FIG. 2 is a right side or left side elevation view, which are  
identical, of FIG.

FIG. 3 is a front side or rear side elevation view, which are  
identical, of FIG. 1.

FIG. 4 is a cut away view taken along line 4—4 of FIG. 3; and,

FIG. 5 is a top perspective view of FIG. 1.

**1 Claim, 2 Drawing Sheets**



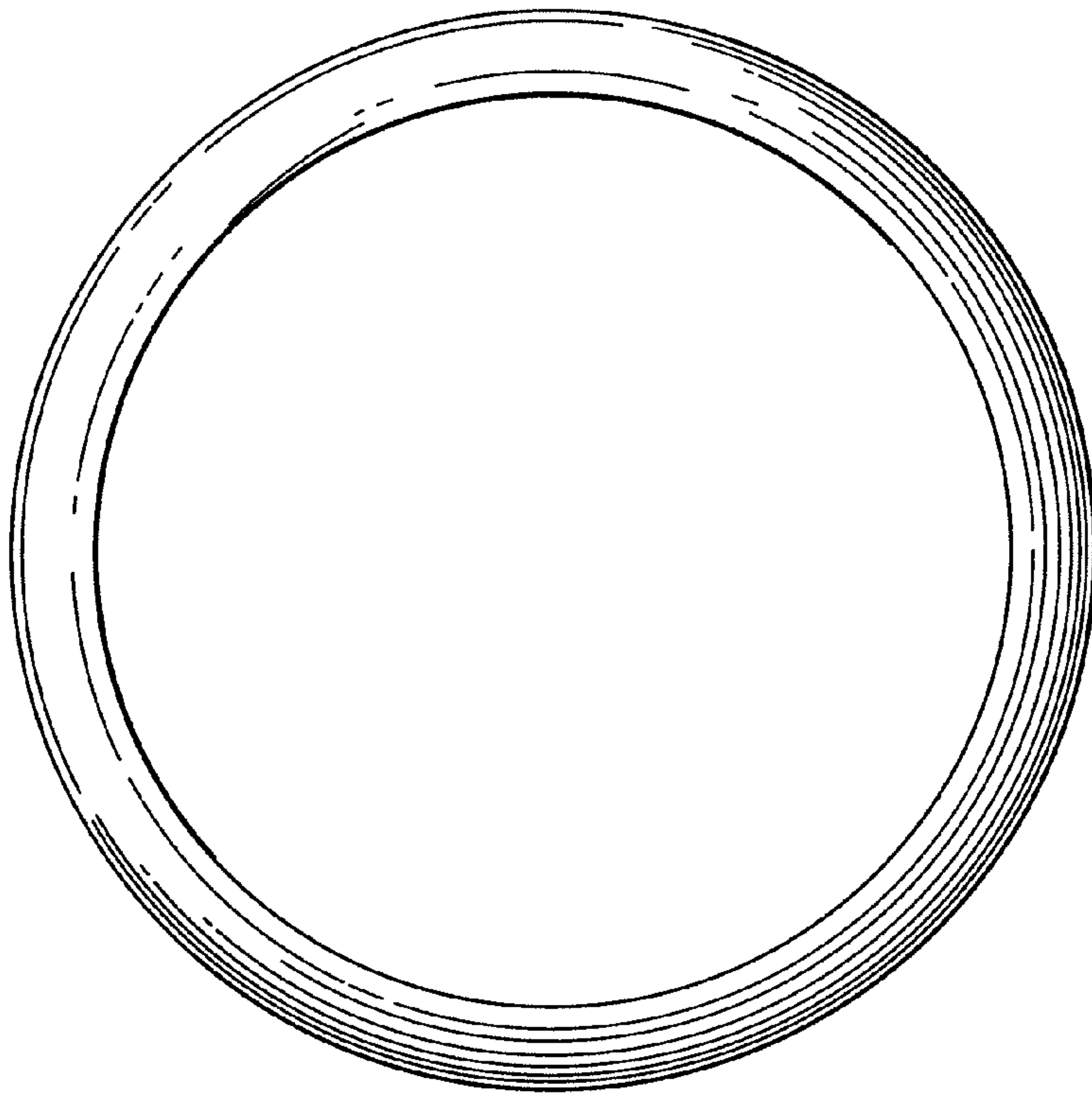


FIG. 1

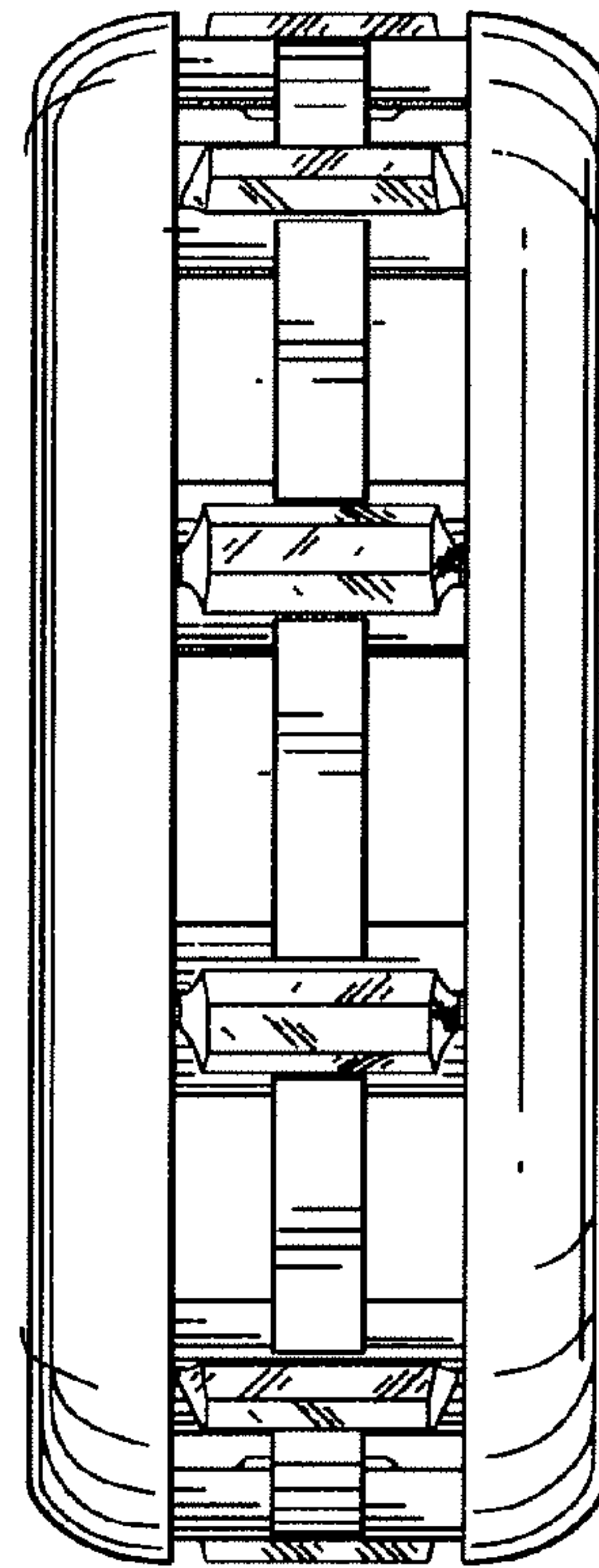


FIG. 2

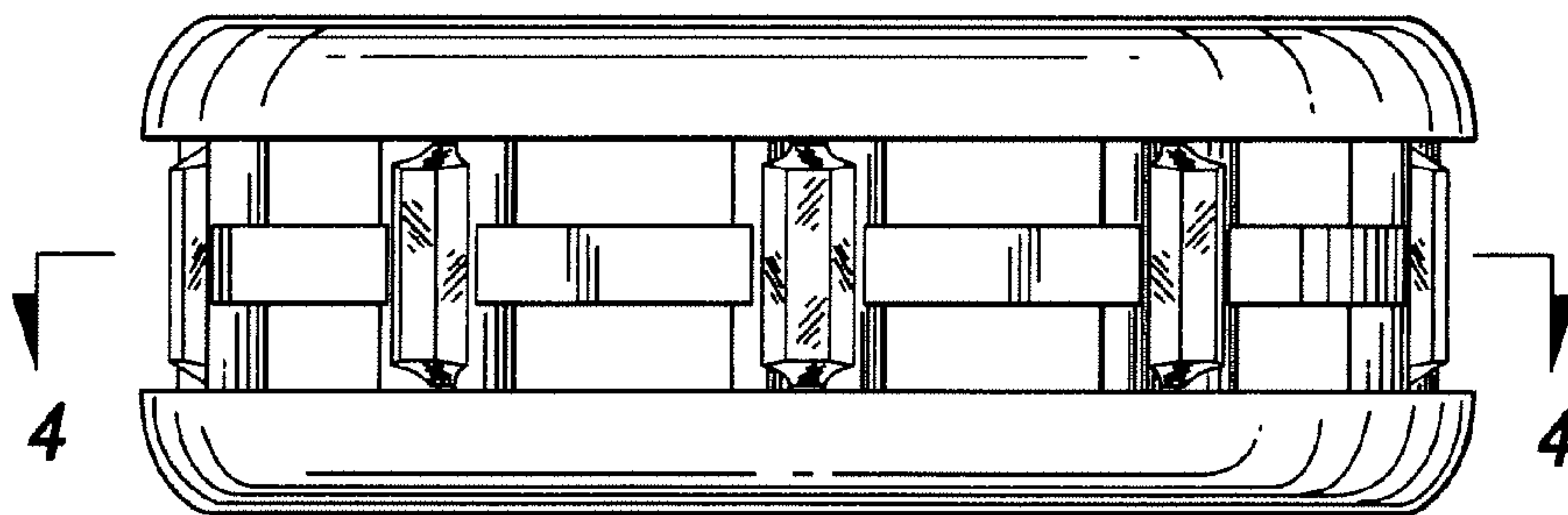


FIG. 3



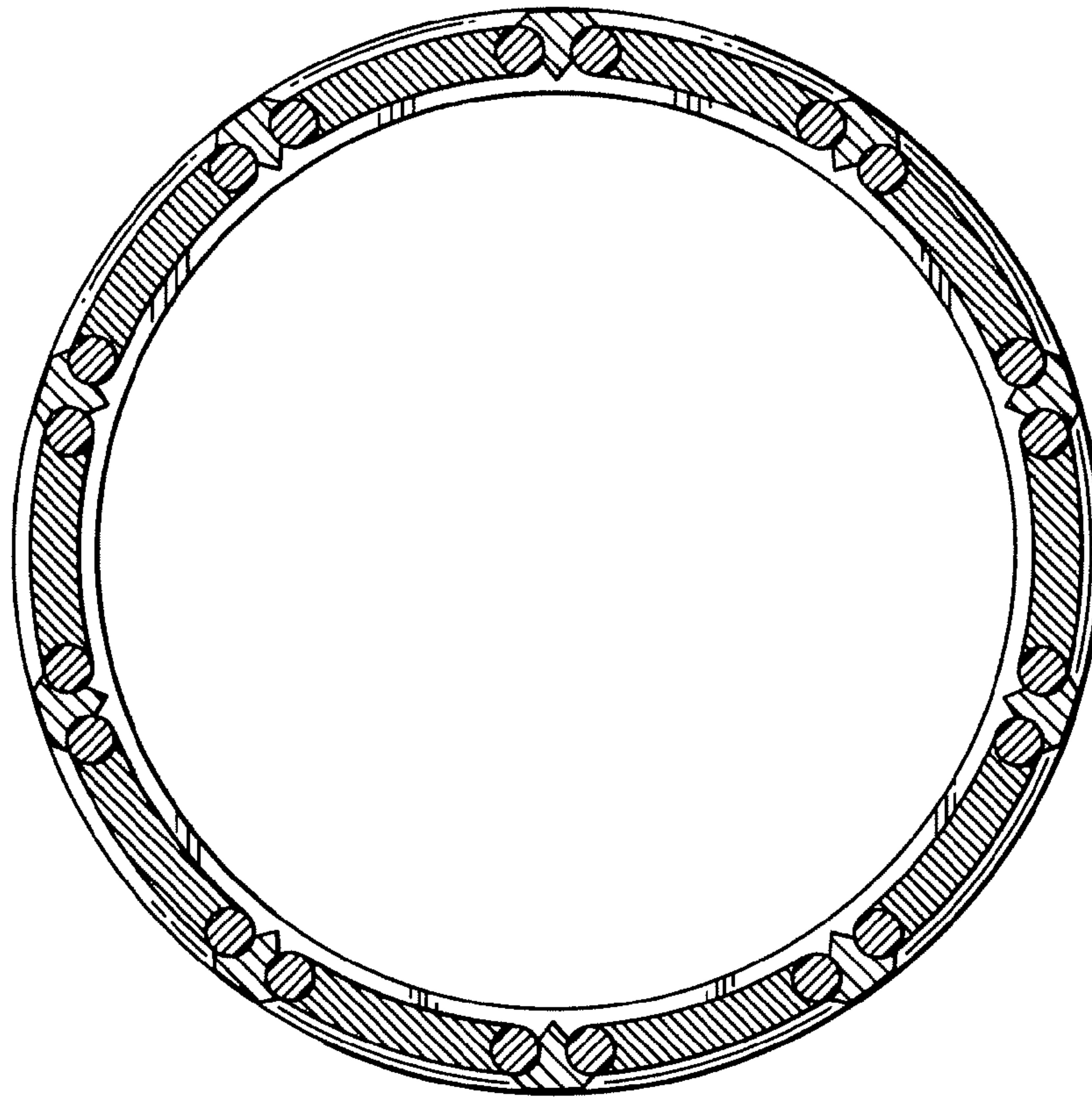


FIG. 4

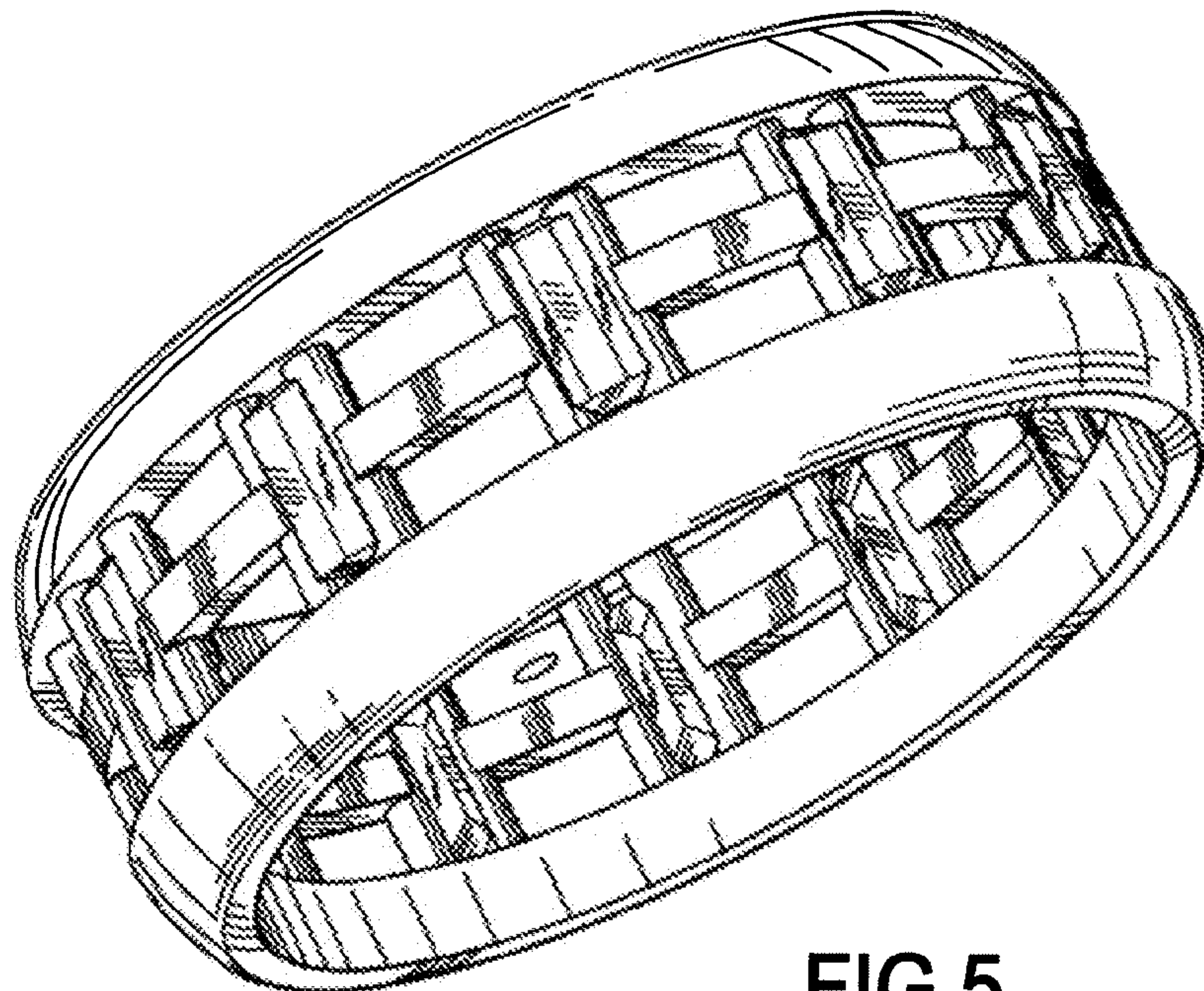


FIG. 5