



US00D574741S

(12) **United States Design Patent**
Gadsden

(10) **Patent No.:** **US D574,741 S**

(45) **Date of Patent:** **** Aug. 12, 2008**

(54) **HAND-HELD TRAFFIC CONTROL LIGHT**

(76) **Inventor:** **Emory DeMarco Gadsden**, 109 Dingo Ct., Bonneau, SC (US) 29431

(**) **Term:** **14 Years**

(21) **Appl. No.:** **29/297,301**

(22) **Filed:** **Nov. 8, 2007**

(51) **LOC (8) Cl.** **10-05**

(52) **U.S. Cl.** **D10/114; D26/37**

(58) **Field of Classification Search** **D26/37-50; D10/114; 362/157, 158, 171-174, 183-208**
See application file for complete search history.

(56) **References Cited**

U.S. PATENT DOCUMENTS

2,340,530	A	2/1944	Hefner
5,374,876	A	12/1994	Horibata et al.
5,622,423	A	4/1997	Lee
5,697,695	A	12/1997	Lin et al.
D389,420	S	1/1998	Campman

D450,144	S	11/2001	Kim	
D473,332	S	*	4/2003	Lam D26/49
D485,364	S	*	1/2004	Lee D24/217
6,722,771	B1	4/2004	Stephens	
D521,168	S	*	5/2006	Waters D26/42

* cited by examiner

Primary Examiner—Marcus A. Jackson

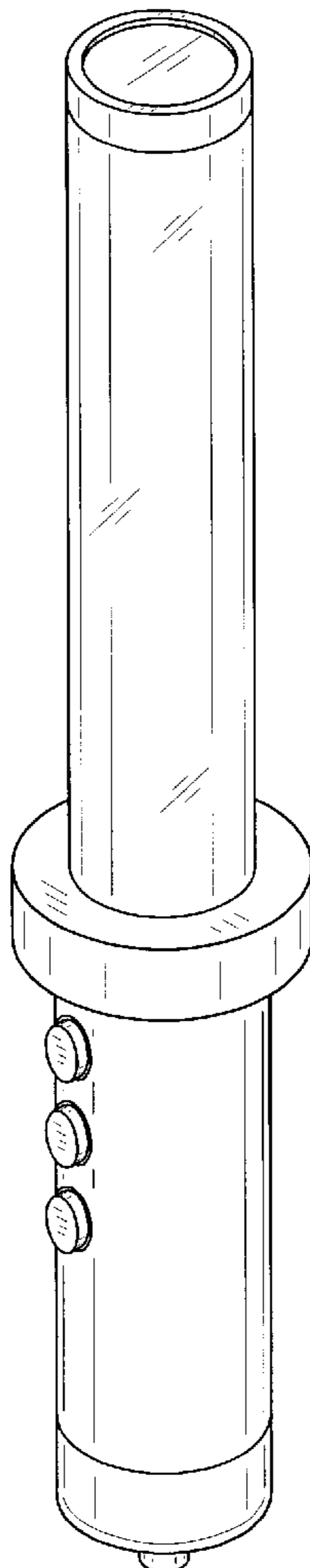
(57) **CLAIM**

The ornamental design for a hand-held traffic control light, as shown.

DESCRIPTION

FIG. 1 is a front view of a new hand-held traffic control light; FIG. 2 is a back side view thereof; FIG. 3 is a side view thereof; FIG. 4 is a top view thereof; FIG. 5 is a bottom view thereof; and, FIG. 6 is a perspective view thereof.

1 Claim, 2 Drawing Sheets



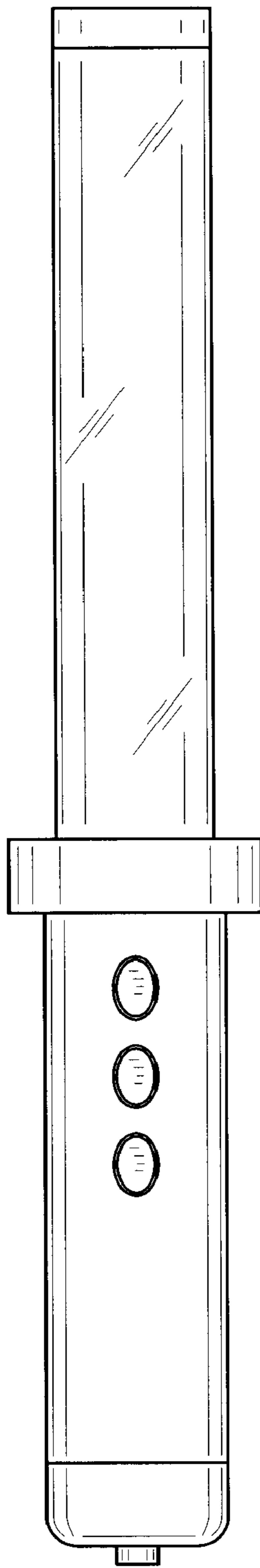


FIG. 1

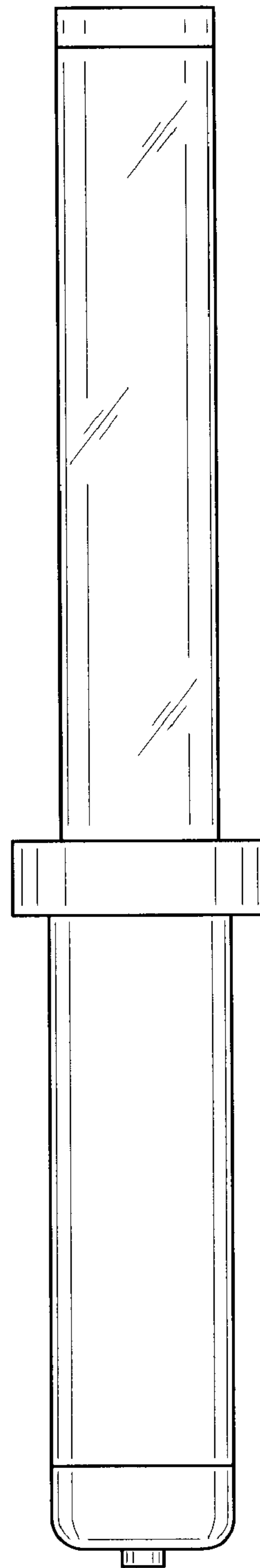


FIG. 2

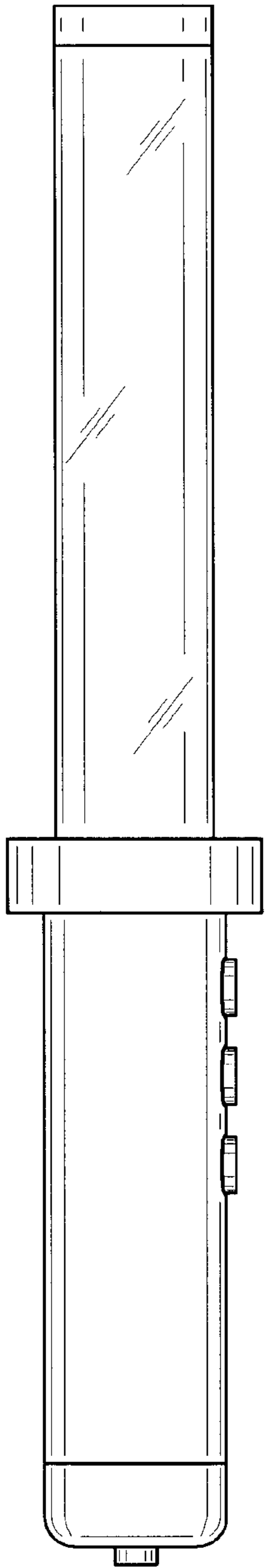


FIG. 3

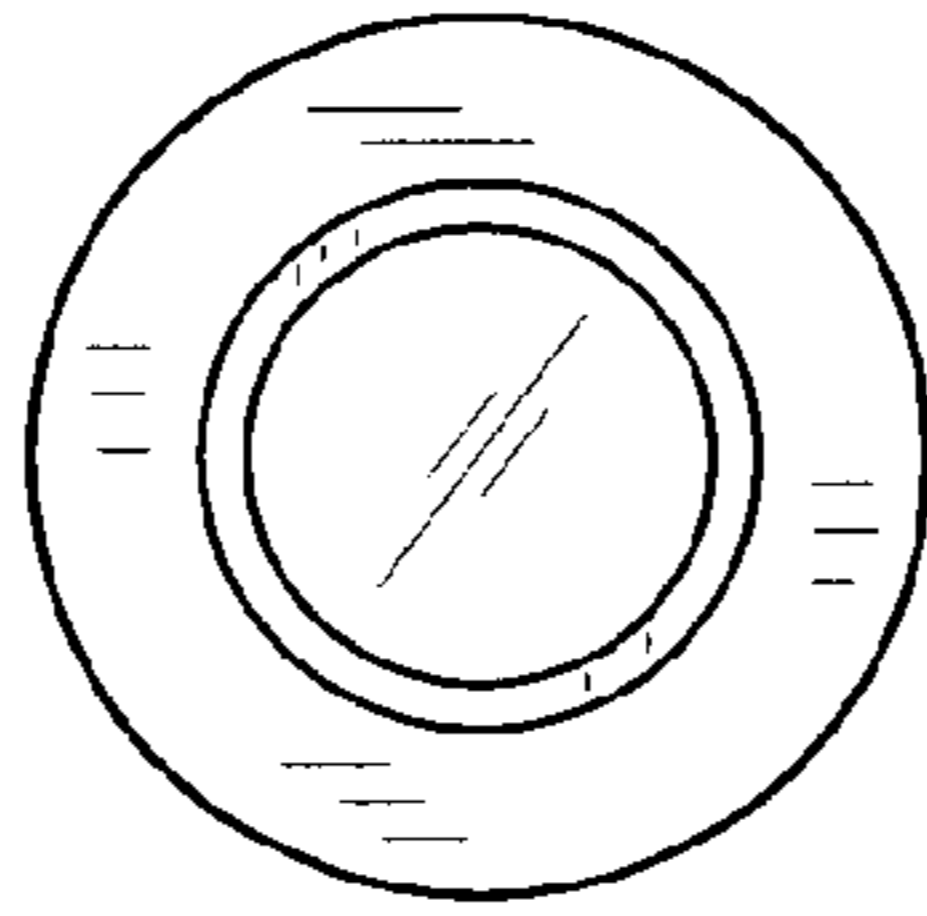


FIG. 4

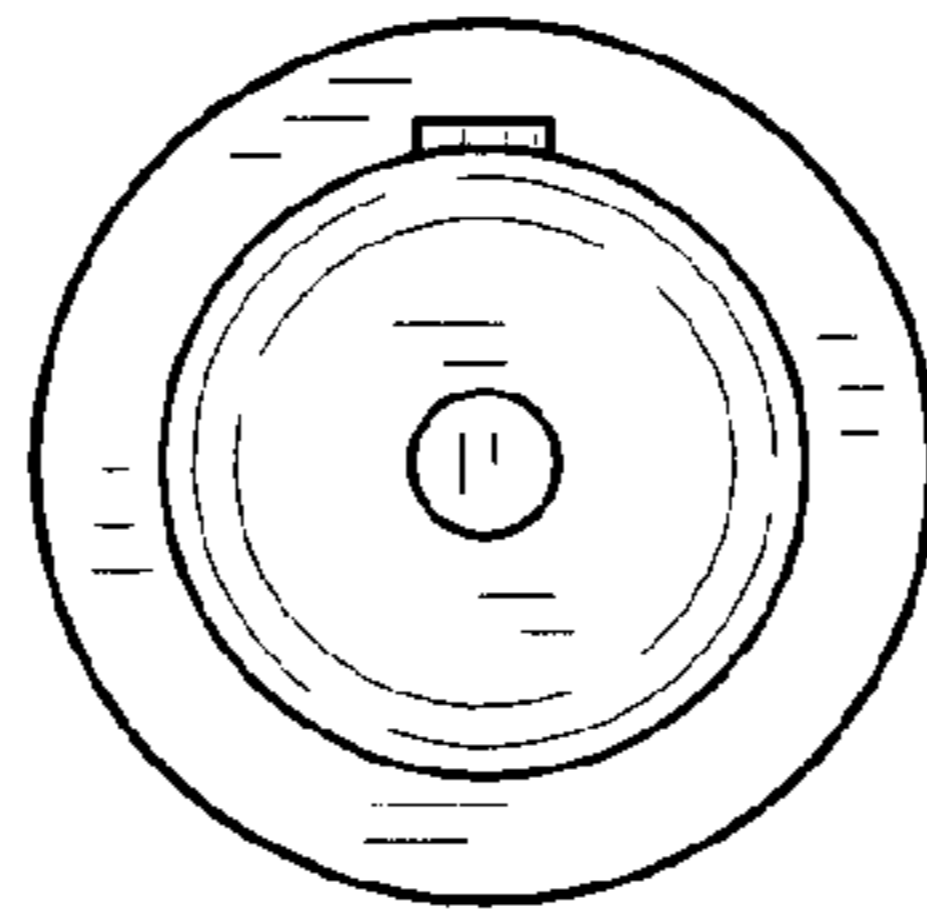


FIG. 5

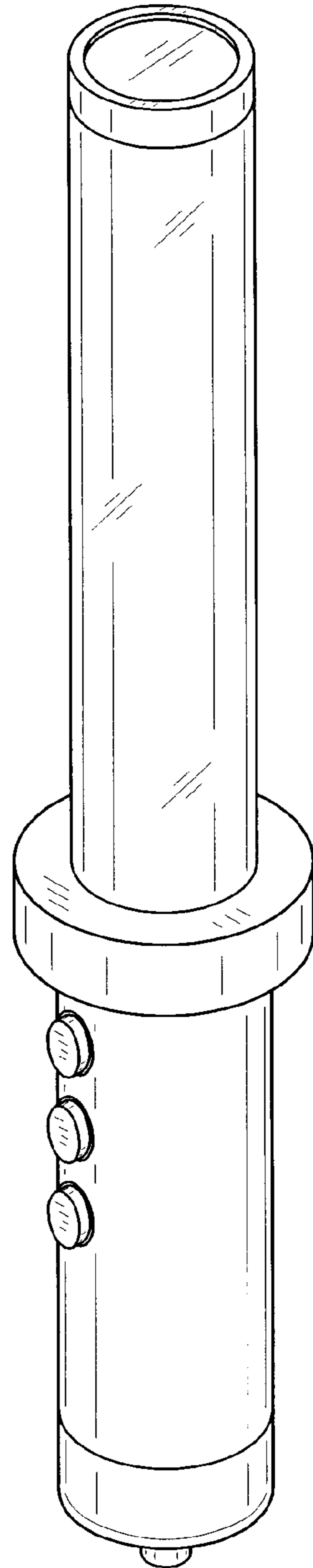


FIG. 6