



US00D574740S

(12) **United States Design Patent**
Lawler et al.

(10) **Patent No.:** **US D574,740 S**

(45) **Date of Patent:** **** Aug. 12, 2008**

(54) **SCALE**

(75) Inventors: **Matthew H. Lawler**, Homerglen, IL (US); **Paul D. Nizzere**, Darien, IL (US); **Carla DeYoung**, Joliet, IL (US); **Chris Kulujian**, Chicago, IL (US); **Morad Ghassemian**, Oak Park, IL (US)

(73) Assignee: **Rubbermaid Incorporated**, Huntersville, NC (US)

(**) Term: **14 Years**

(21) Appl. No.: **29/251,669**

(22) Filed: **Jan. 11, 2006**

Related U.S. Application Data

(63) Continuation of application No. 29/189,433, filed on Sep. 4, 2003, now abandoned.

(51) **LOC (8) Cl.** **10-04**

(52) **U.S. Cl.** **D10/94**

(58) **Field of Classification Search** 177/253, 177/262, 230, 234, 170, 173, 41, 163, 166, 177/236-245; D12/106, 161; D16/208; D21/484, 486, 492, 503, 489; D30/147-148; 168/4-24; 144/264; D10/91

See application file for complete search history.

(56) **References Cited**

U.S. PATENT DOCUMENTS

1,028,540	A *	6/1912	Chatillion	116/332
1,064,971	A *	6/1913	Kent	177/230
1,064,972	A	6/1913	Kent	
1,398,318	A *	11/1921	Courchene	4/235
1,440,773	A *	1/1923	Dykstra	4/245.9
1,449,254	A *	3/1923	Zucker	177/173
1,457,328	A	6/1923	Van Berkel	
1,518,372	A	12/1924	Twiss	
D201,571	S *	7/1965	Freidich	D10/91

3,193,031	A *	7/1965	Friedrich	177/166
3,228,488	A *	1/1966	Coppola	177/173
D216,237	S *	12/1969	Levin	D7/386
3,481,413	A *	12/1969	Coppola	177/173
3,786,880	A *	1/1974	Artwick	177/170

(Continued)

OTHER PUBLICATIONS

Frank Edwards, *Wristwatches—A Connoisseur's Guide*, Nov. 18, 1997, 4 pages, A Firefly Book.

(Continued)

Primary Examiner—Antoine D Davis

(74) *Attorney, Agent, or Firm*—Lempia Braidwood LLC

(57) **CLAIM**

We claim the ornamental design for a scale, as shown and described.

DESCRIPTION

FIG. 1 is a front plan elevation view of the face of a scale according to the invention.

FIG. 2 is a front top, and right side perspective view of the scale shown in FIG. 1.

FIG. 3 is a front view of the scale shown in FIG. 1.

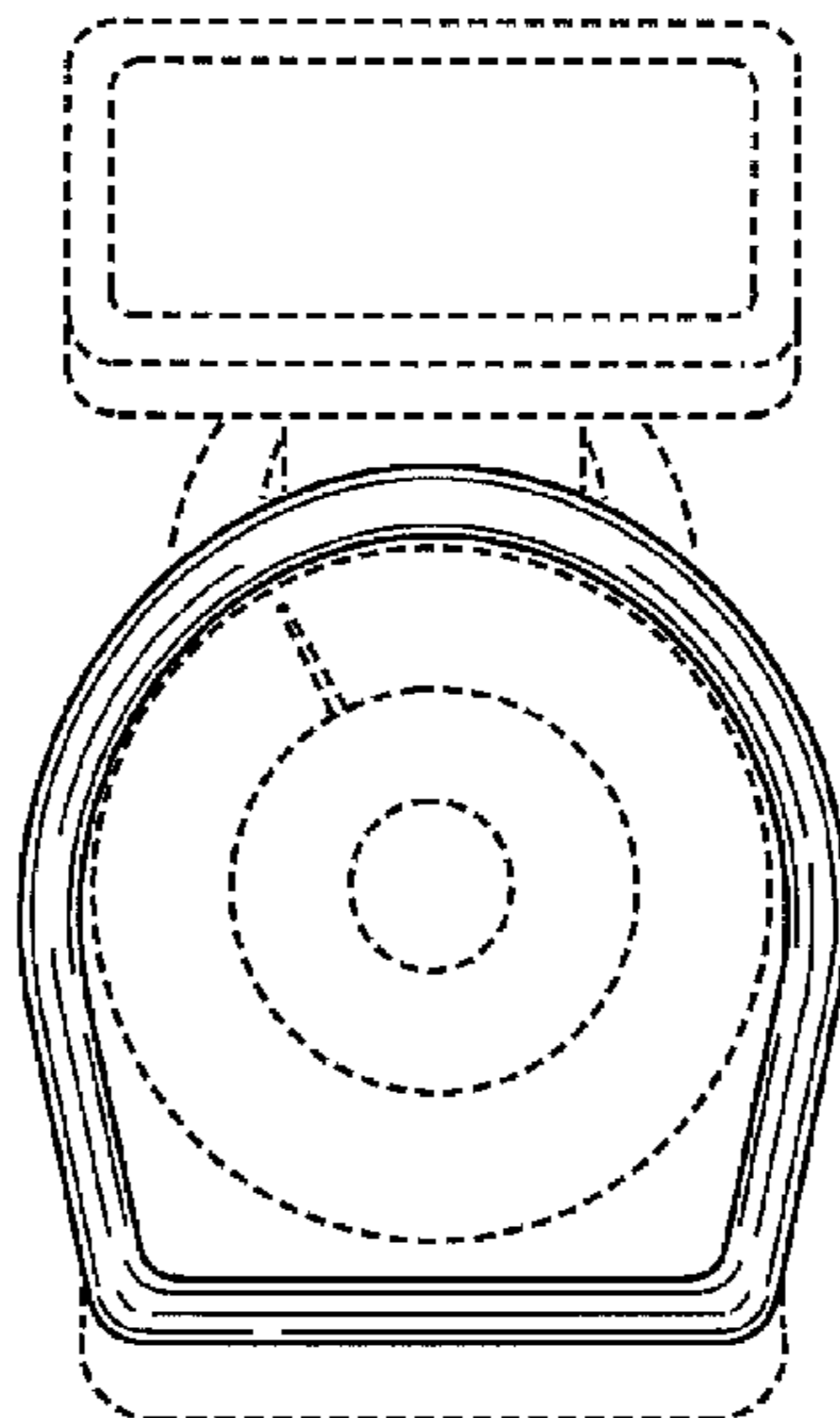
FIG. 4 is a top view of the scale shown in FIG. 1.

FIG. 5 is a left side view of the scale shown in FIG. 1, the right side view being a mirror image thereof; and,

FIG. 6 is a rear view of the scale shown in FIG. 1.

The present application is directed to the shape and contour of a portion of a scale, such as the facial arrangement for an indicator, of the design illustrated in the drawing Figures. Other features of the scale are not considered part of the design sought to be patented and have accordingly been shown in broken lines.

1 Claim, 4 Drawing Sheets



US D574,740 S

Page 2

U.S. PATENT DOCUMENTS

3,921,721 A 11/1975 George
D245,968 S * 10/1977 Mox D10/91
D245,969 S * 10/1977 Mox D10/91
4,089,160 A * 5/1978 Beaston 59/56
D256,103 S * 7/1980 Mox D10/91
4,265,314 A 5/1981 Tovim
D269,600 S * 7/1983 Mox D10/91
4,393,565 A * 7/1983 Wilson et al. 29/890.03
4,563,008 A * 1/1986 Fielden 273/126 R
4,813,145 A * 3/1989 Josey et al. 33/414
4,848,495 A 7/1989 Hayashi
4,904,845 A * 2/1990 Wonka 392/467
D309,868 S * 8/1990 Busse D10/91
4,976,409 A * 12/1990 Hansen 248/469
5,214,815 A * 6/1993 Agbodoe et al. 5/637
5,239,327 A * 8/1993 Frank 396/617
5,283,854 A * 2/1994 Schiebelhuth 392/467
5,303,777 A 4/1994 Zook
D347,966 S * 6/1994 Doggett D7/378

D355,713 S * 2/1995 Kelly D23/311
5,557,809 A * 9/1996 Adams 4/245.3
6,026,593 A * 2/2000 Harmon-Weiss et al. 36/28
D428,126 S * 7/2000 Hulsebus et al. D23/311
6,132,057 A * 10/2000 Williams 362/100
6,244,352 B1 * 6/2001 Luber 168/12
D450,978 S * 11/2001 Smith D7/378
6,467,548 B1 * 10/2002 Rynningen 168/4
D466,362 S * 12/2002 Moore D7/378
6,497,292 B2 * 12/2002 Rovelli 168/4
6,566,614 B1 5/2003 Fluckiger
6,588,466 B1 * 7/2003 Lohr 141/362
2002/0195257 A1 * 12/2002 Poynton 168/4

OTHER PUBLICATIONS

Adrian Frutiger, Signs and Symbols—Their Design and Meaning, 3 pages.
Font Bureau—Type Specimens, 1995, 2 pages, The Font Bureau, Inc., Boston Massachusetts.

* cited by examiner

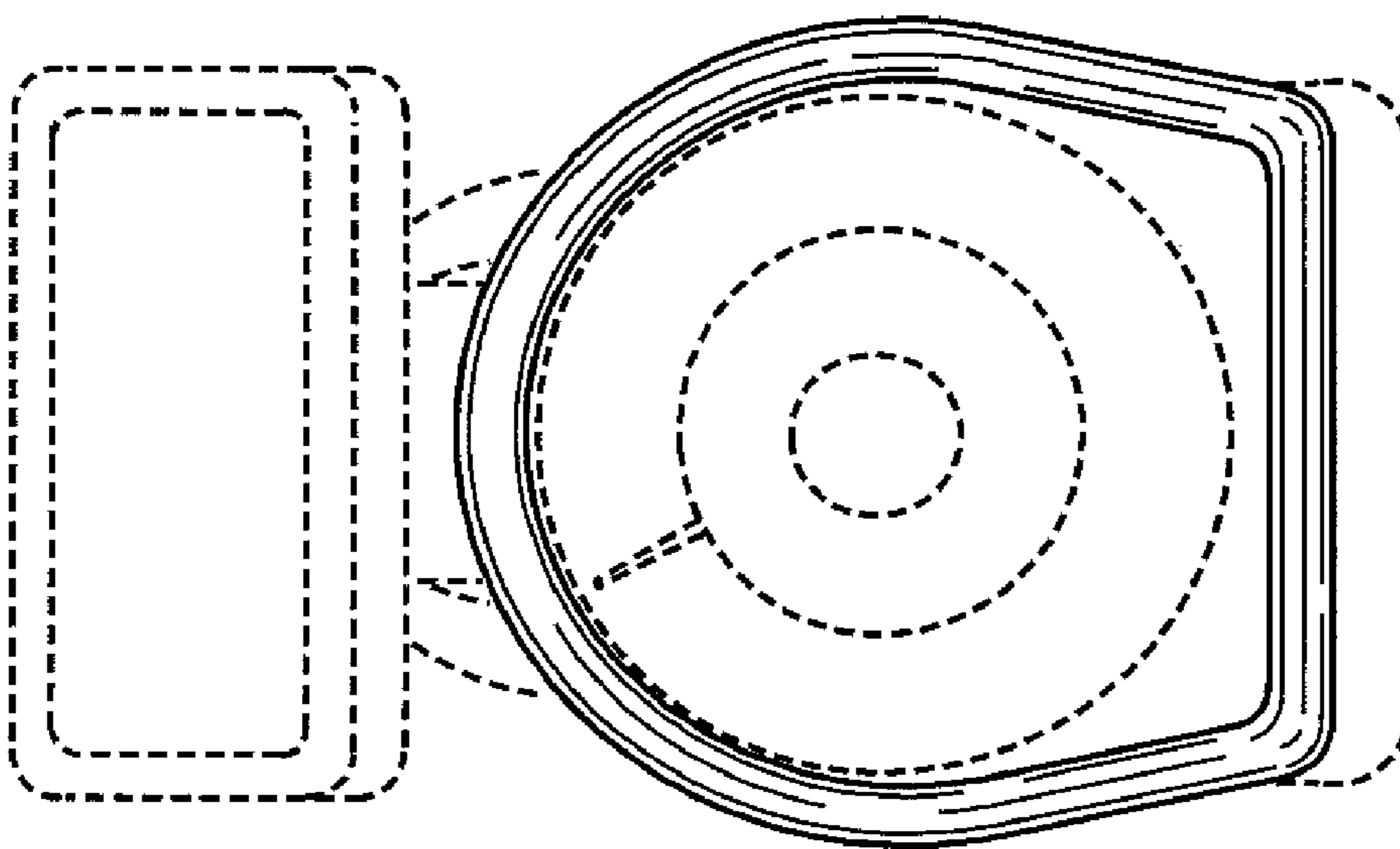


FIG. 1

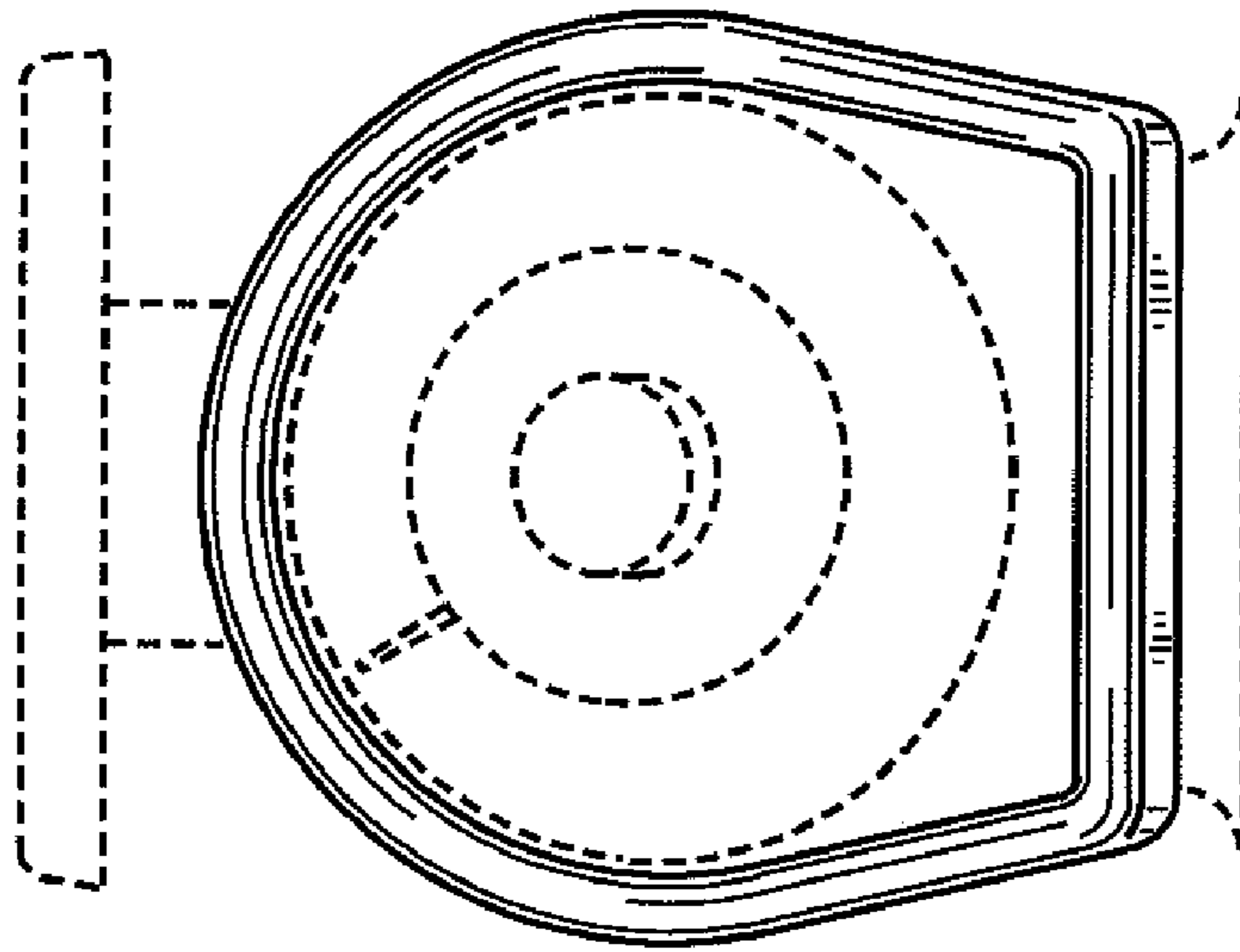


FIG. 3

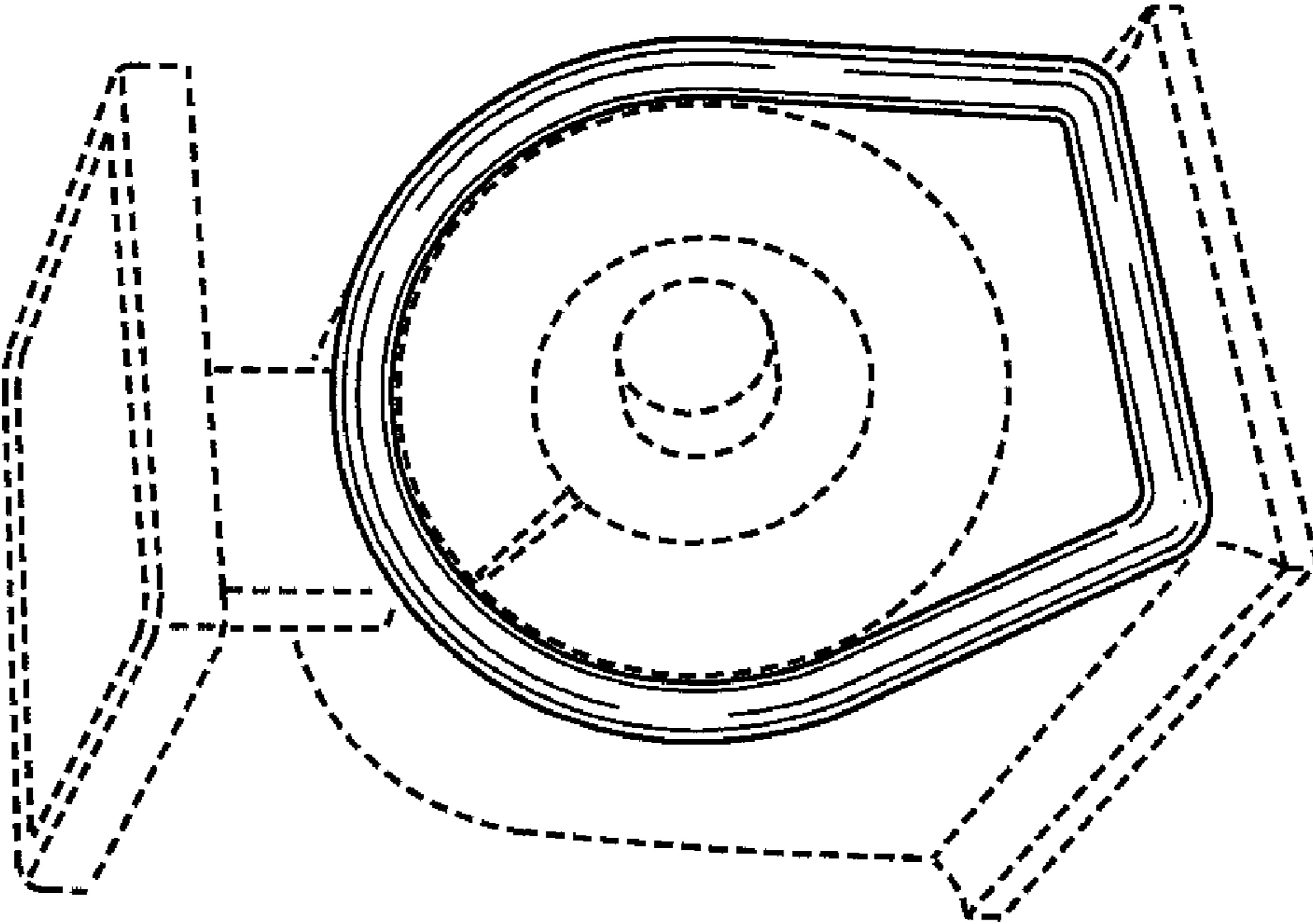


FIG. 2

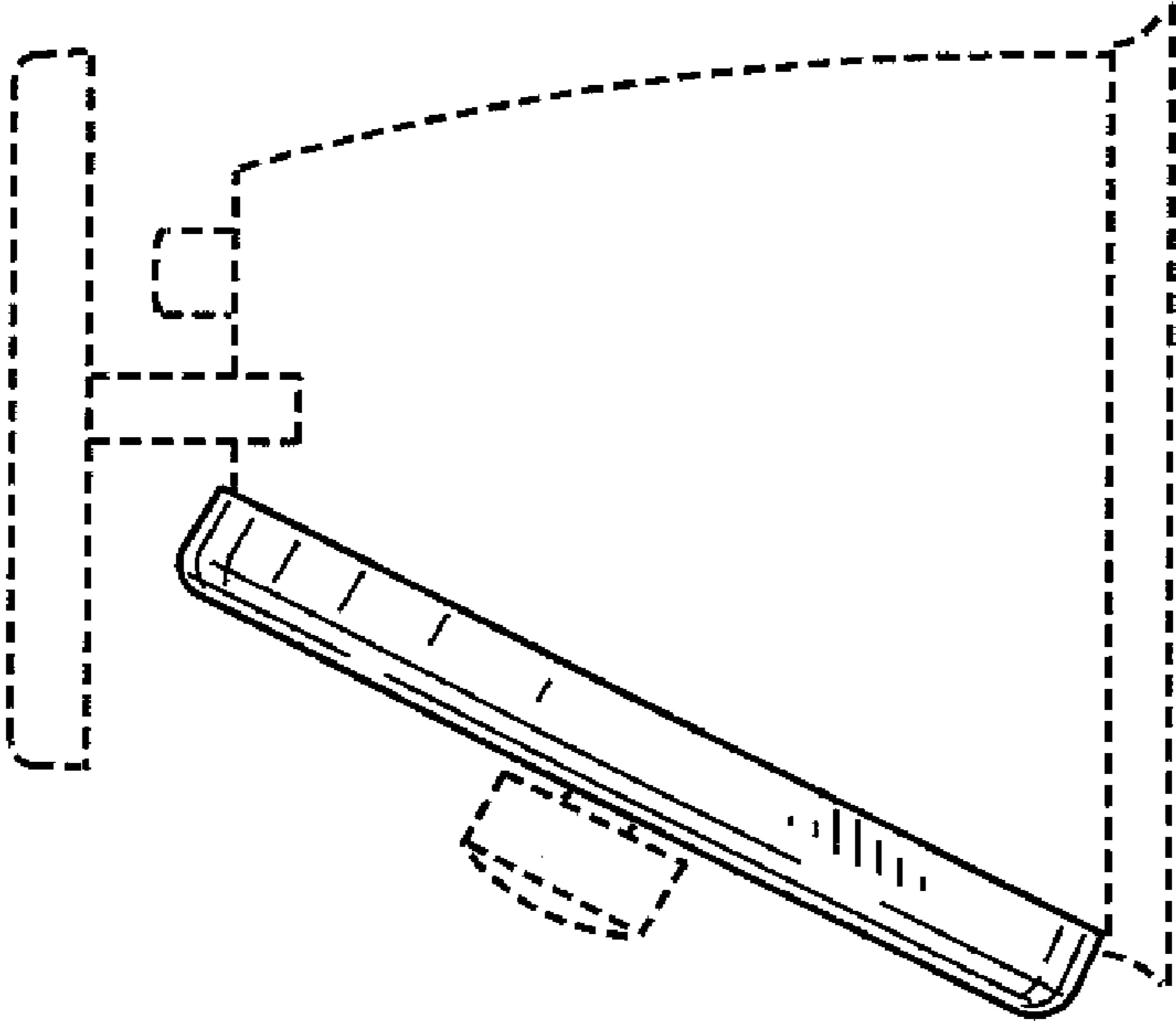


FIG. 5

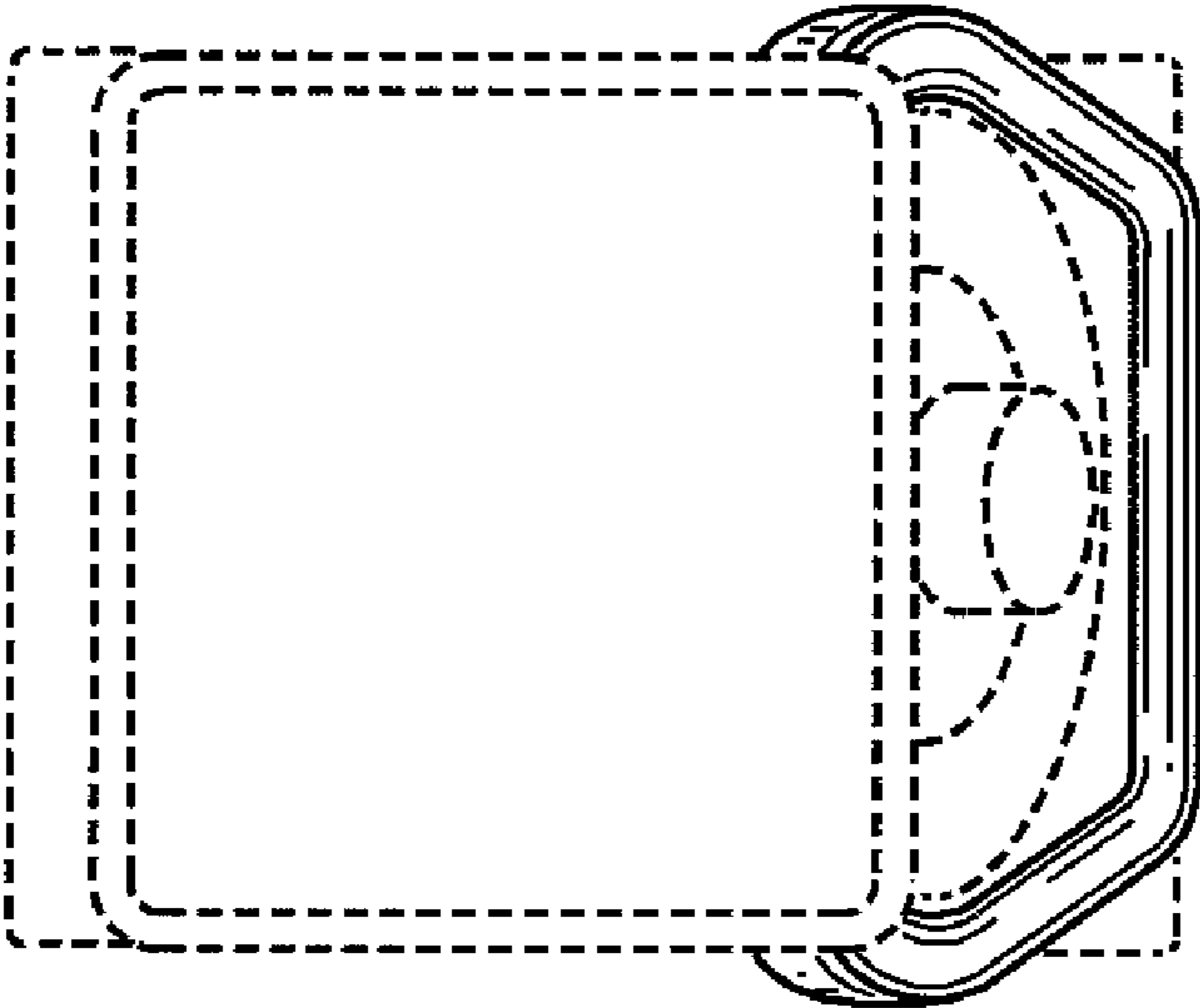


FIG. 4

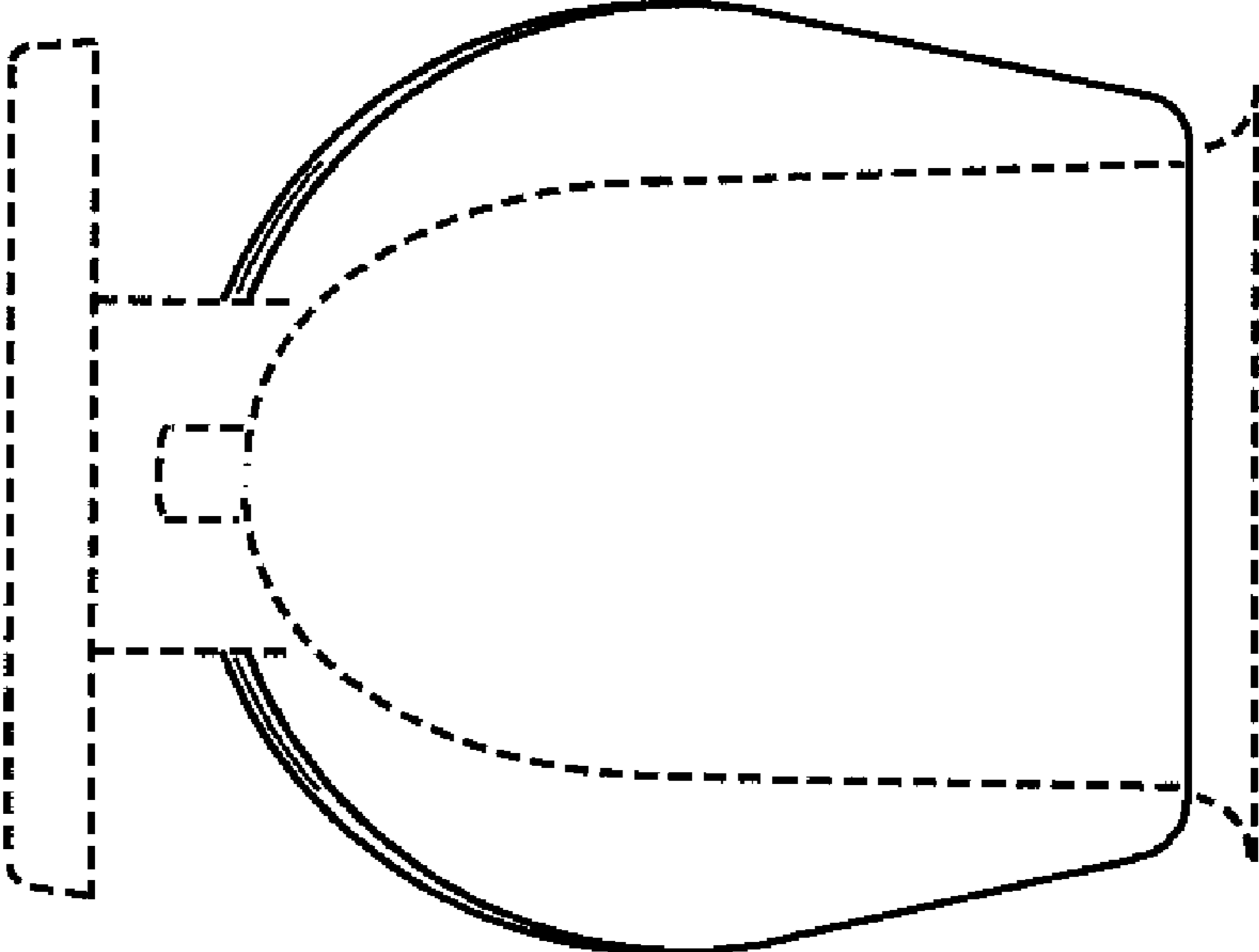


FIG. 6