



US00D574739S

(12) **United States Design Patent**  
**Lee et al.**

(10) **Patent No.:** **US D574,739 S**  
(45) **Date of Patent:** **\*\* Aug. 12, 2008**

(54) **NAVIGATION FOR VEHICLES**

(75) Inventors: **Mi-Ri Lee**, Seoul (KR); **Sung-Won Park**, Seoul (KR)

(73) Assignee: **Samsung Electronics Co., Ltd.**, Suwon, Kyunggi-Do (KR)

(\*\*) Term: **14 Years**

(21) Appl. No.: **29/293,972**

(22) Filed: **Dec. 19, 2007**

(51) **LOC (8) Cl.** ..... **10-04**

(52) **U.S. Cl.** ..... **D10/65**

(58) **Field of Classification Search** ..... D10/65,  
D10/70; D14/347; 342/351, 419, 457, 357.06-357.16;  
343/702; 345/87, 104, 133, 156, 168, 173,  
345/901-905; 348/180, 184, 315, 739; 364/444,  
364/499; 701/206-209, 213-214  
See application file for complete search history.

(56) **References Cited**

**U.S. PATENT DOCUMENTS**

D506,937 S *	7/2005	Lee et al.	.....	D10/65
D515,441 S *	2/2006	Shindo	.....	D10/65
D540,203 S *	4/2007	Jeon	.....	D10/65
D541,682 S *	5/2007	Uno	.....	D10/65
D543,876 S *	6/2007	Kalis et al.	.....	D10/65

7,236,159 B1 *	6/2007	Siversson	.....	345/173
7,262,761 B1 *	8/2007	Duarte et al.	.....	345/168
7,310,050 B2 *	12/2007	Yeh	.....	340/815.83
D558,619 S *	1/2008	Bloem	.....	D10/65
D561,616 S *	2/2008	Park et al.	.....	D10/65
D561,619 S *	2/2008	Miyawaki et al.	.....	D10/65
D563,245 S *	3/2008	Deboves et al.	.....	D10/65

\* cited by examiner

*Primary Examiner*—Antoine D Davis

(74) *Attorney, Agent, or Firm*—Flynn, Thiel, Boutell & Tanis, P.C.

(57) **CLAIM**

The ornamental design for a navigation for vehicles, as shown and described.

**DESCRIPTION**

FIG. 1 is a top front perspective view of a navigation for vehicles showing our new design;

FIG. 2 is a front elevational view thereof;

FIG. 3 is a rear elevational view thereof;

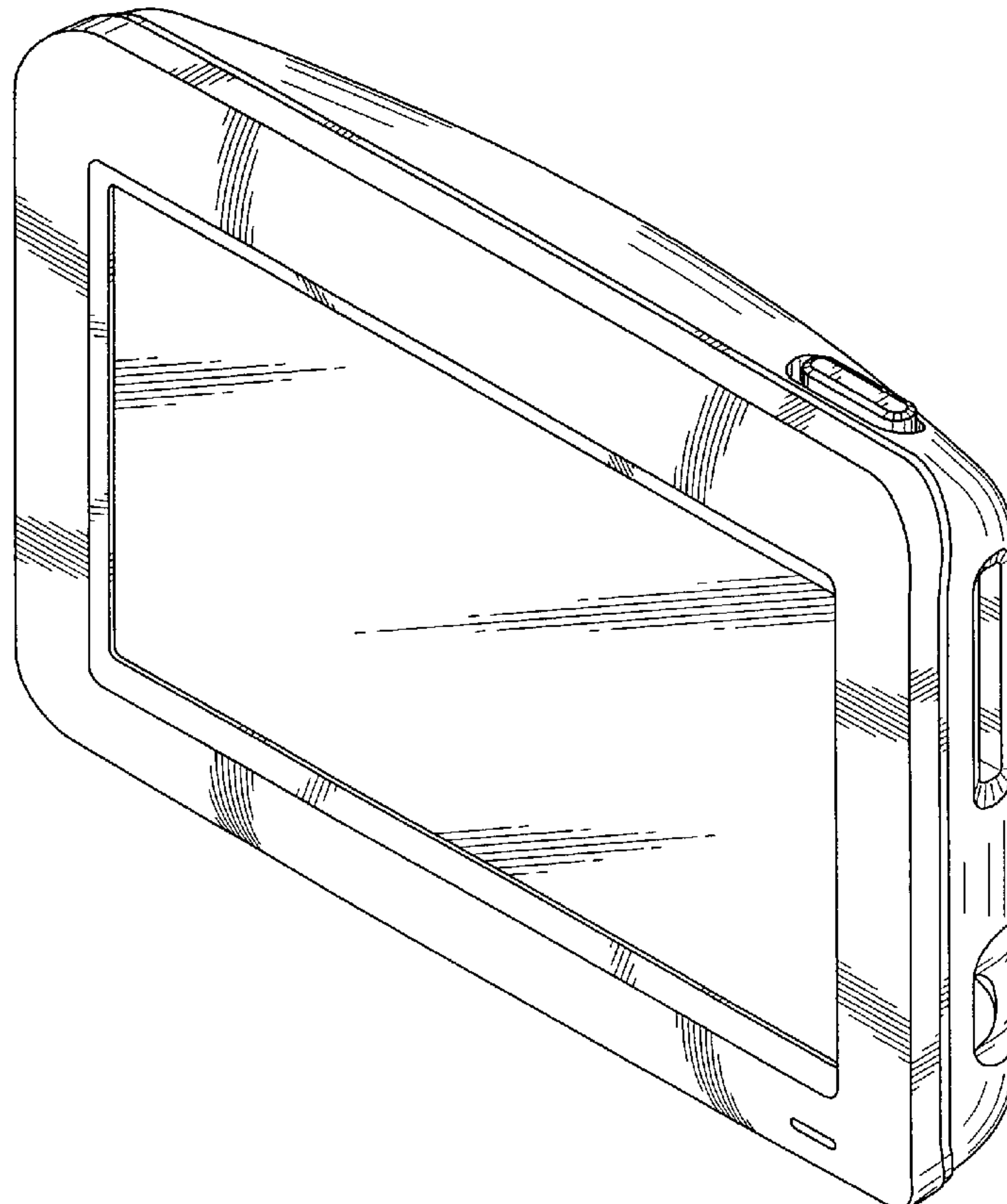
FIG. 4 is a left side elevational view thereof;

FIG. 5 is a right side elevational view thereof;

FIG. 6 is a top plan view thereof; and,

FIG. 7 is a bottom plan view thereof.

**1 Claim, 4 Drawing Sheets**



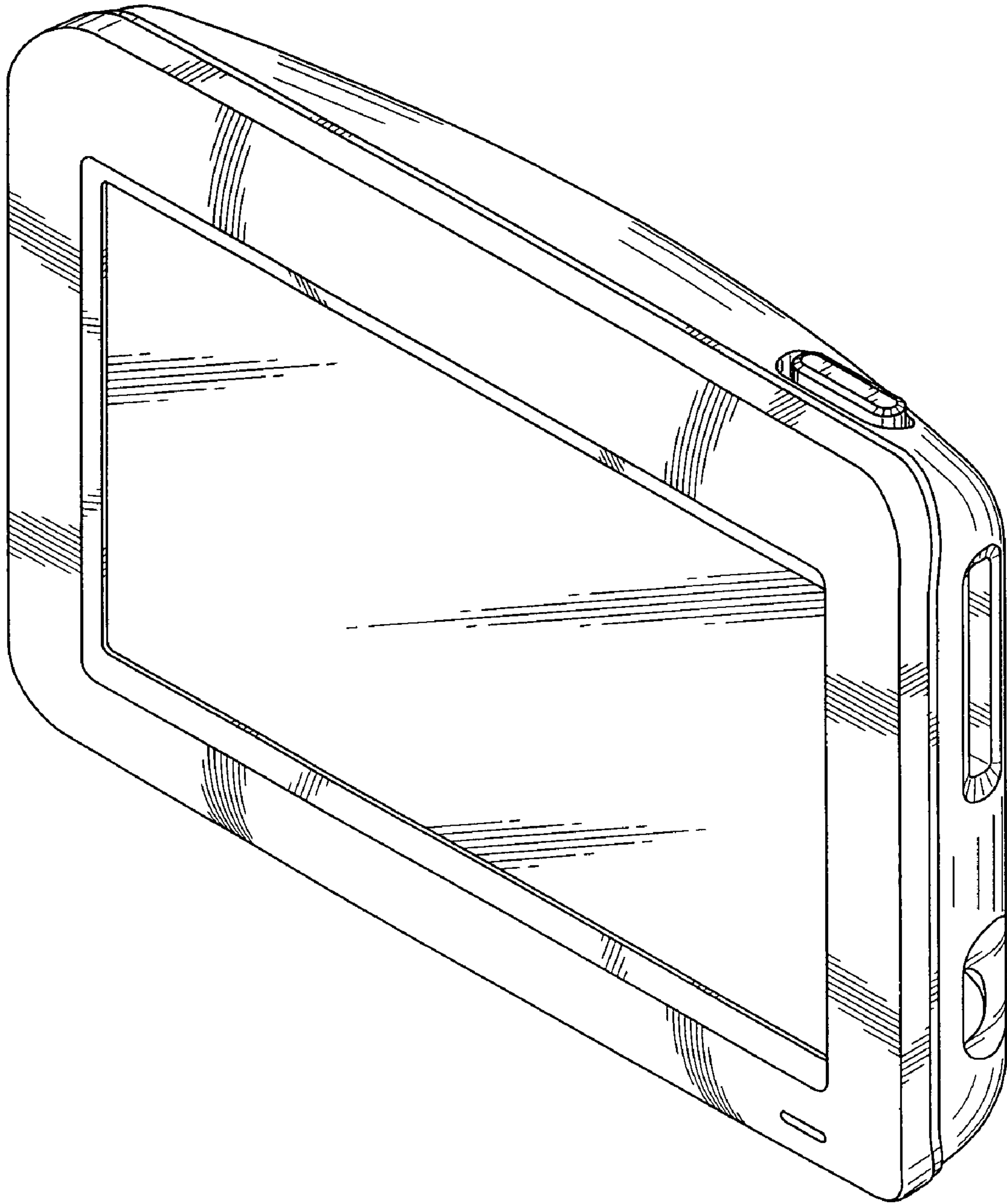


FIG. 1

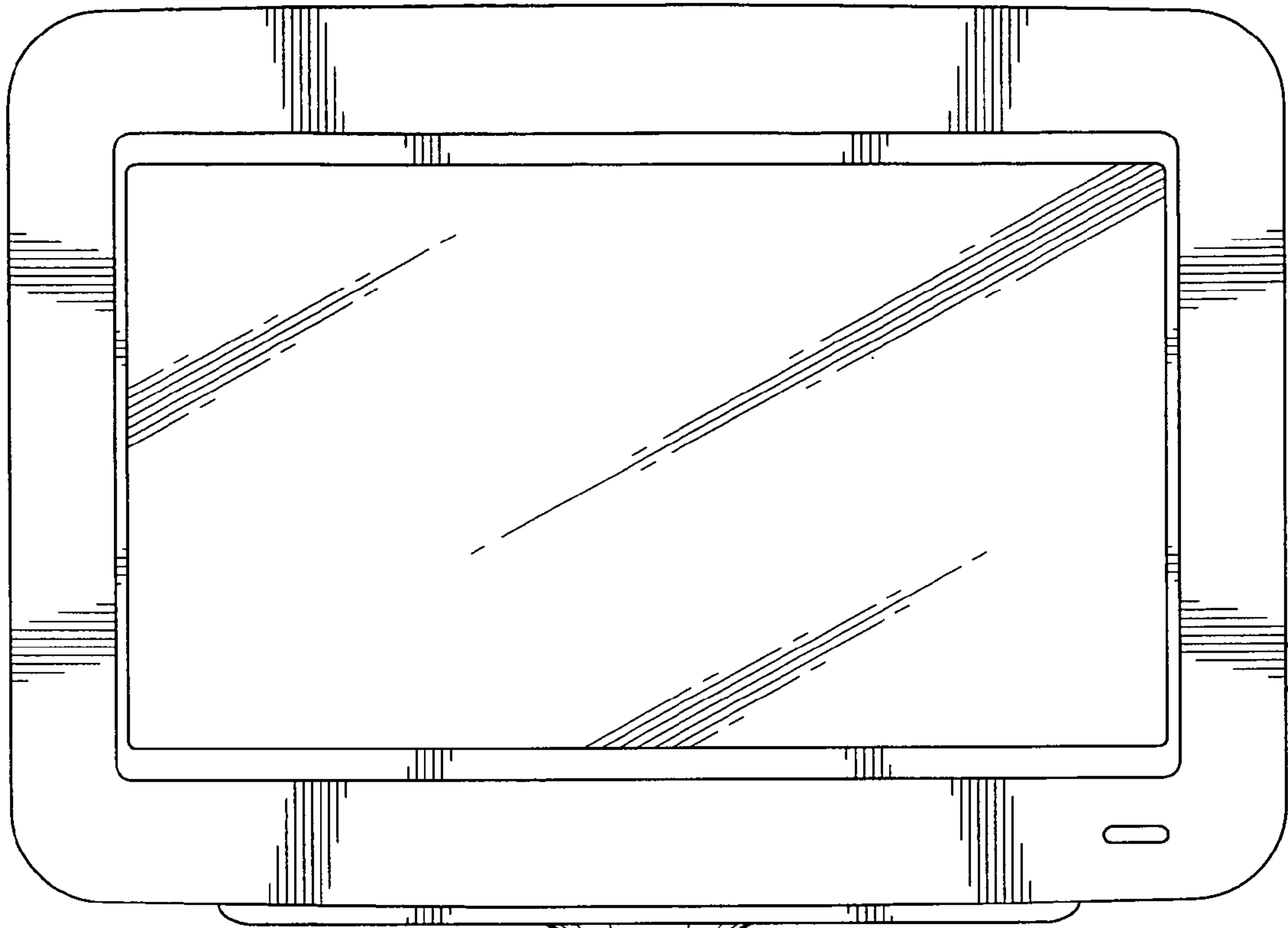


FIG. 2

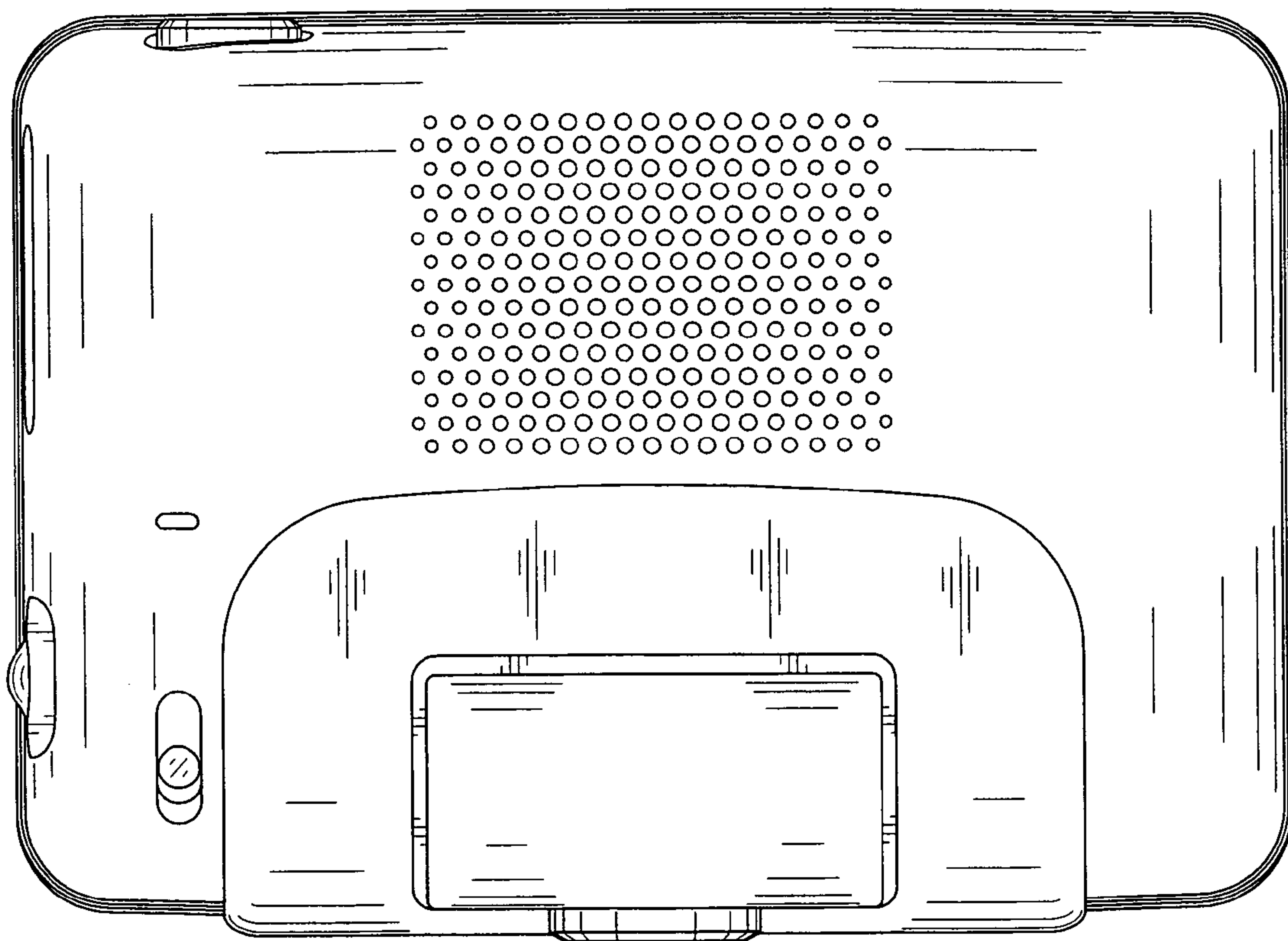


FIG. 3

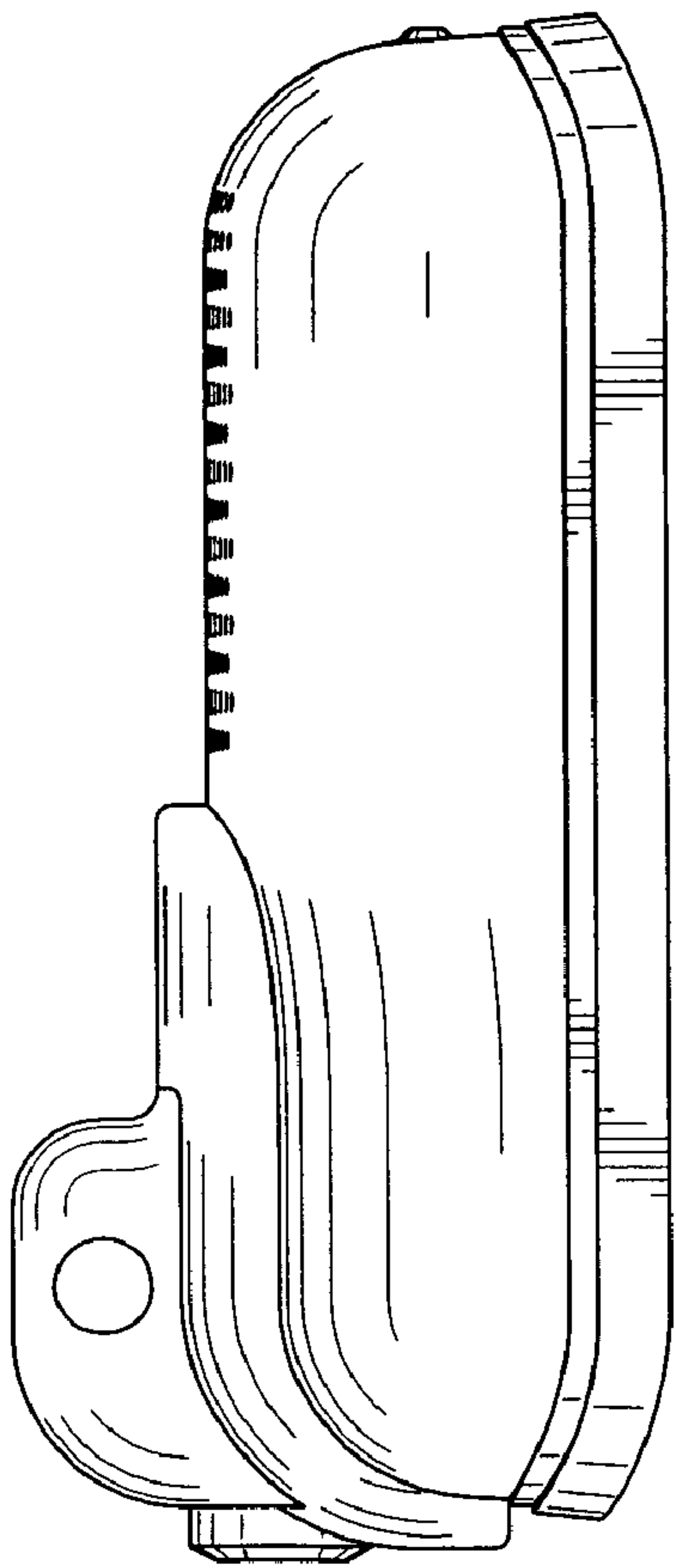


FIG. 4

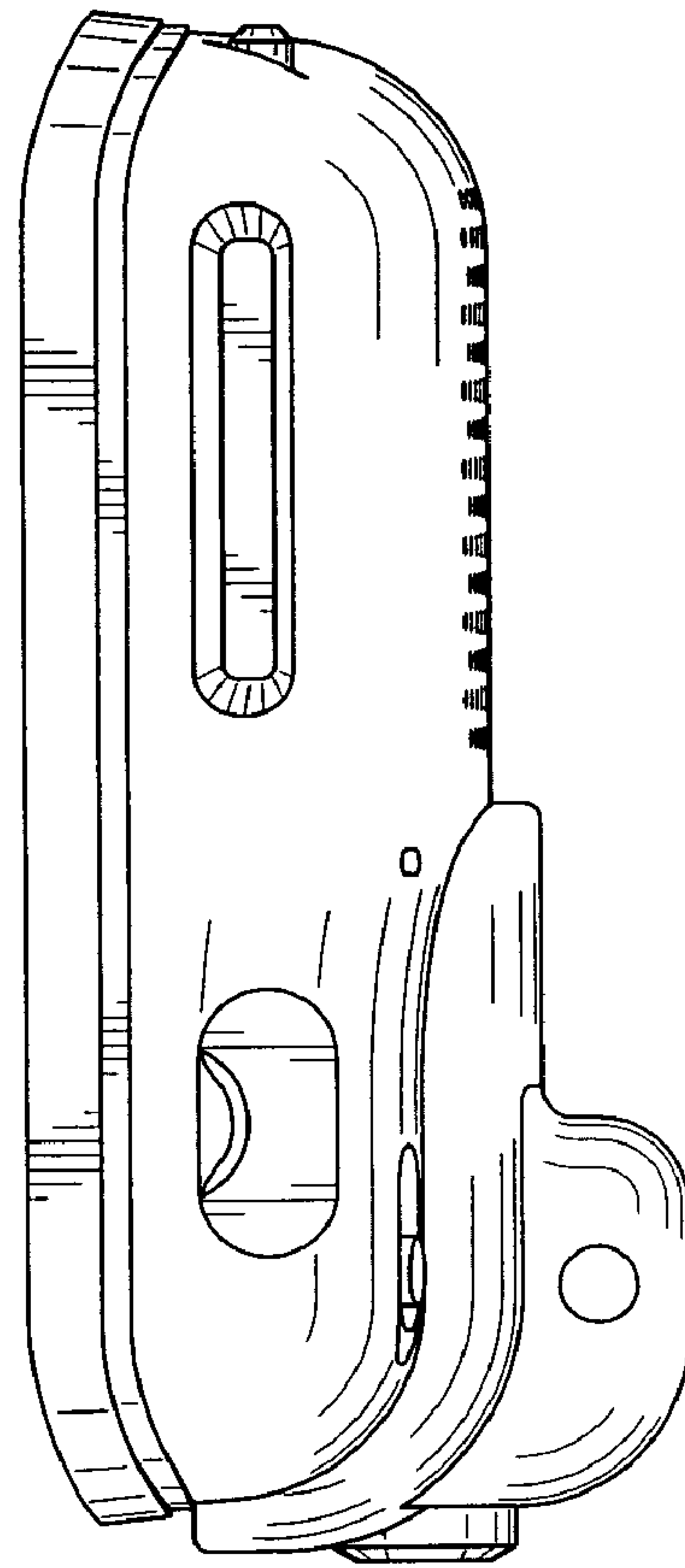


FIG. 5

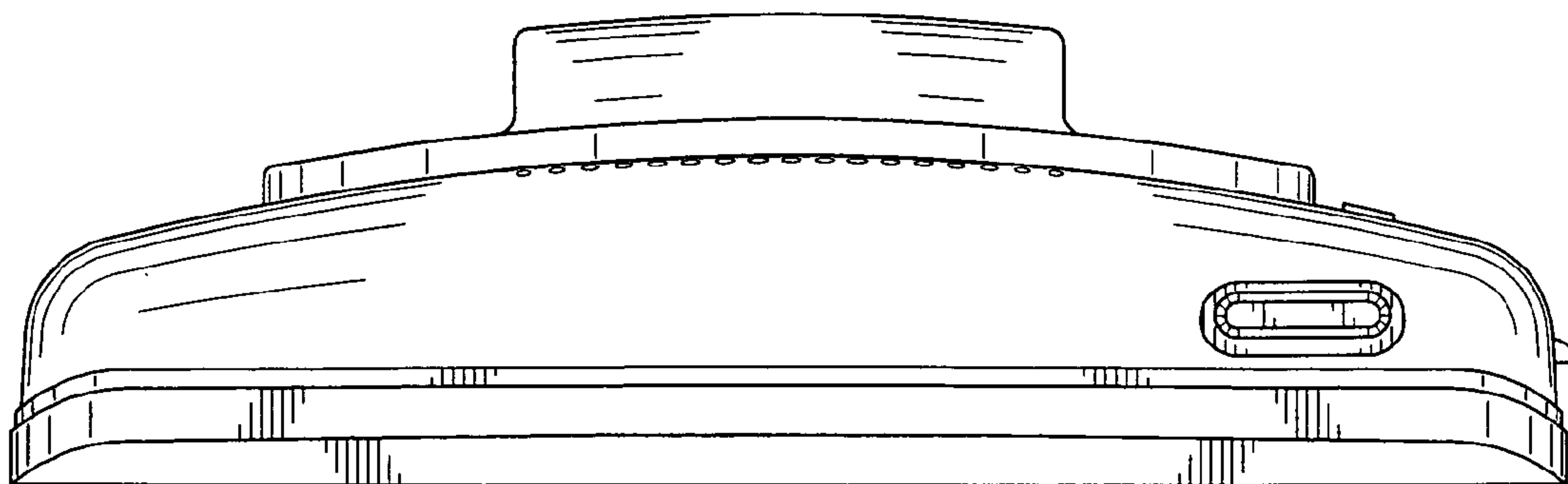


FIG. 6

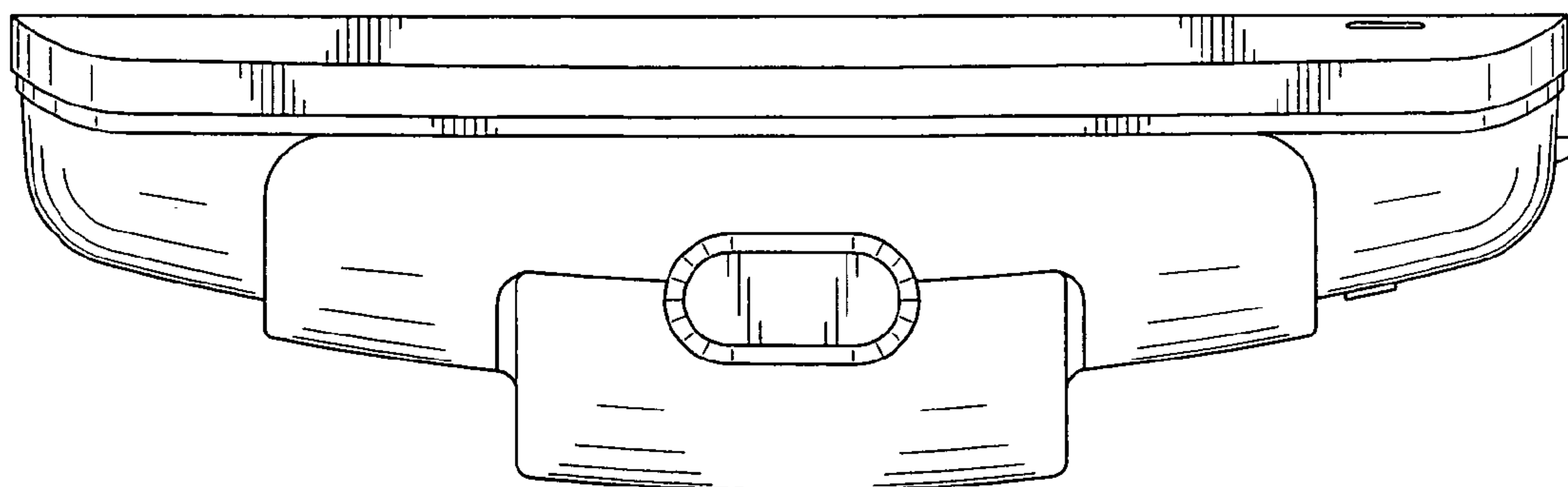


FIG. 7