



US00D574735S

(12) **United States Design Patent**
Landman et al.

(10) **Patent No.:** **US D574,735 S**
(45) **Date of Patent:** **** Aug. 12, 2008**

(54) **WATCH**

(75) Inventors: **Matthew Todd Landman**, Vista, CA (US); **Michael Dillard Nelson**, Oceanside, CA (US); **Brian George Goodwin**, Portland, OR (US)

(73) Assignee: **Nixon, Inc.**, Encinitas, CA (US)

(**) Term: **14 Years**

(21) Appl. No.: **29/287,567**

(22) Filed: **Aug. 23, 2007**

(51) **LOC (8) Cl.** **10-02**

(52) **U.S. Cl.** **D10/38**

(58) **Field of Classification Search** D10/30-39;
368/276, 281, 282, 285, 239-242, 29, 30,
368/82-84, 288, 308, 319

See application file for complete search history.

(56) **References Cited**

U.S. PATENT DOCUMENTS

2,362,245	A	*	11/1944	Cohen	368/190
3,889,460	A	*	6/1975	Yasukawa et al.	368/217
D263,452	S	*	3/1982	Wada	D10/38
D265,062	S	*	6/1982	Hirabayashi	D10/38
D265,295	S	*	7/1982	Wada	D10/38
D267,705	S	*	1/1983	Kosugi	D10/39
D270,430	S	*	9/1983	Fukuoka	D10/39
D278,685	S	*	5/1985	Suzuki et al.	D10/38
4,862,436	A	*	8/1989	Harilela	368/282
D361,042	S	*	8/1995	Nanayakkara	D10/31

D383,985	S	*	9/1997	Davenport	D10/31
6,980,488	B2	*	12/2005	Schneider	368/37
D520,393	S	*	5/2006	Darby	D10/104
D528,928	S	*	9/2006	Burton	D10/38
D545,713	S	*	7/2007	Waldman	D10/125

* cited by examiner

Primary Examiner—Lucy Lieberman

(74) *Attorney, Agent, or Firm*—Nixon & Vanderhye PC

(57) **CLAIM**

The ornamental design for a watch, as shown and described.

DESCRIPTION

FIG. 1 is a front, right side and bottom perspective view of a watch showing my new design;

FIG. 2 is a front, right side and bottom perspective view of the watch shown from a different angle;

FIG. 3 is a rear, and right side and perspective view of the watch;

FIG. 4 is rear, right side and bottom perspective view of the watch;

FIG. 5 is a front elevation of the watch;

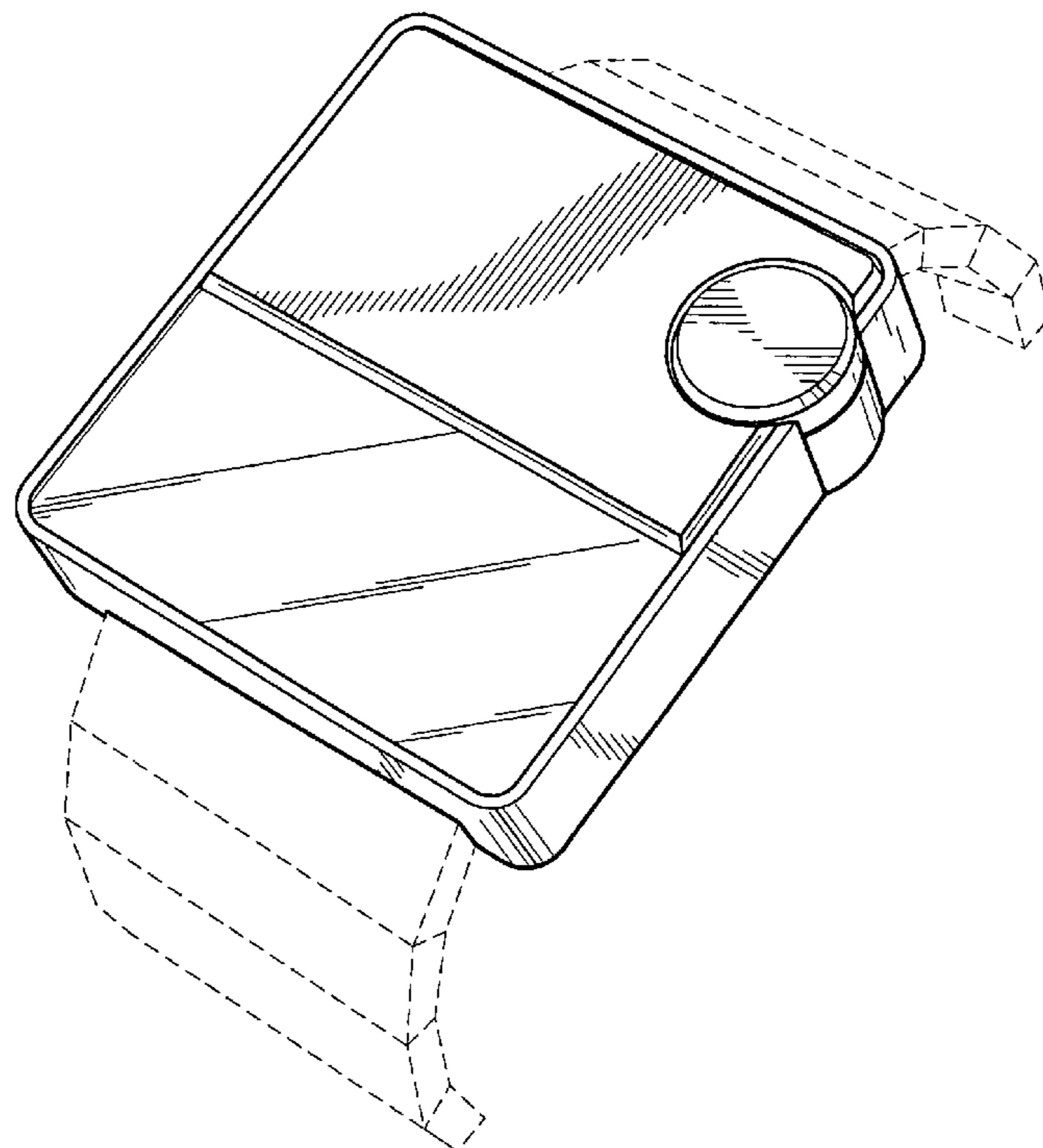
FIG. 6 is a right side elevation of the watch;

FIG. 7 is another right side elevation of the watch; and,

FIG. 8 is a bottom view of the watch.

Different unclaimed environmental structures are shown in broken lines in the various views.

1 Claim, 4 Drawing Sheets



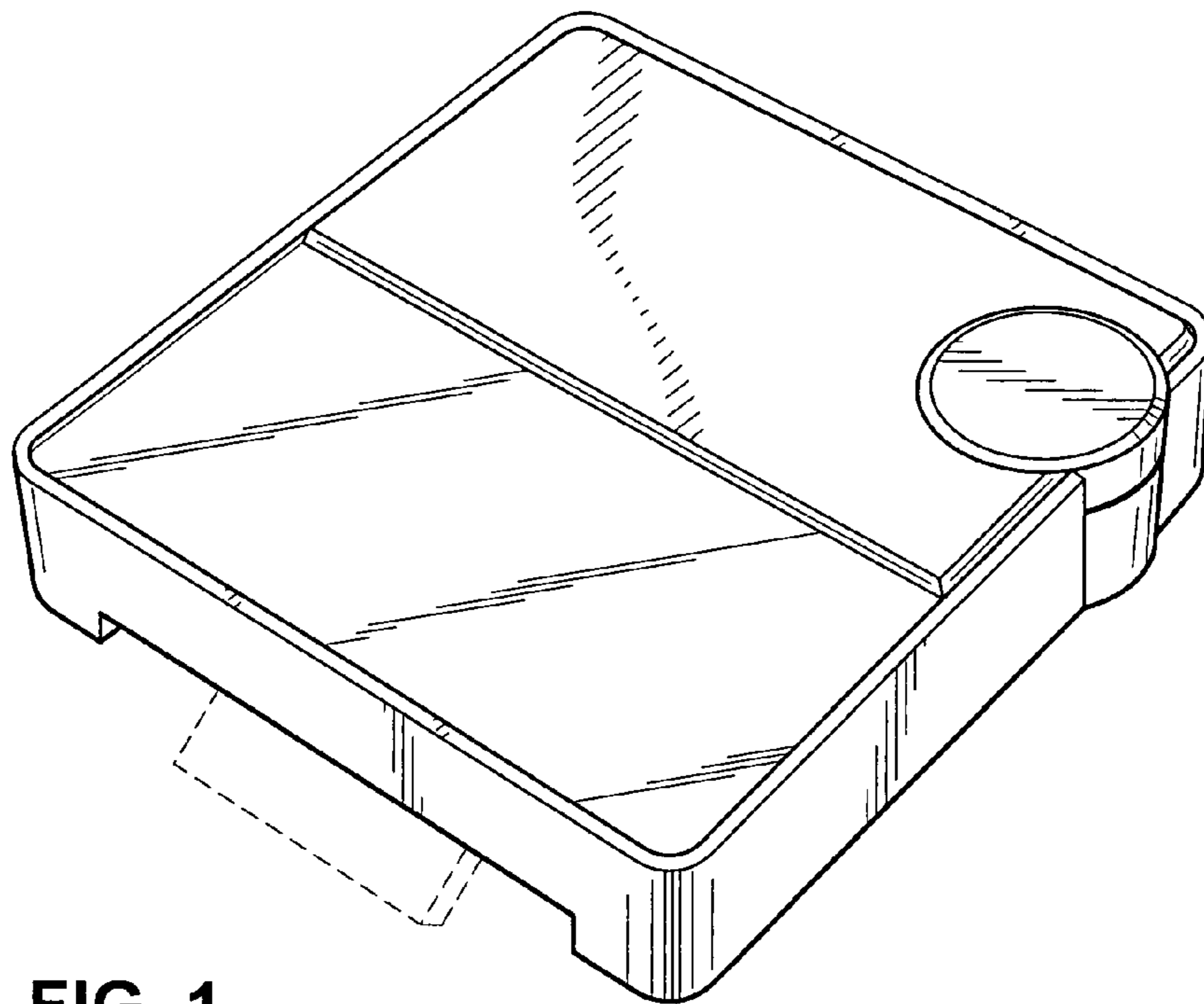


FIG. 1

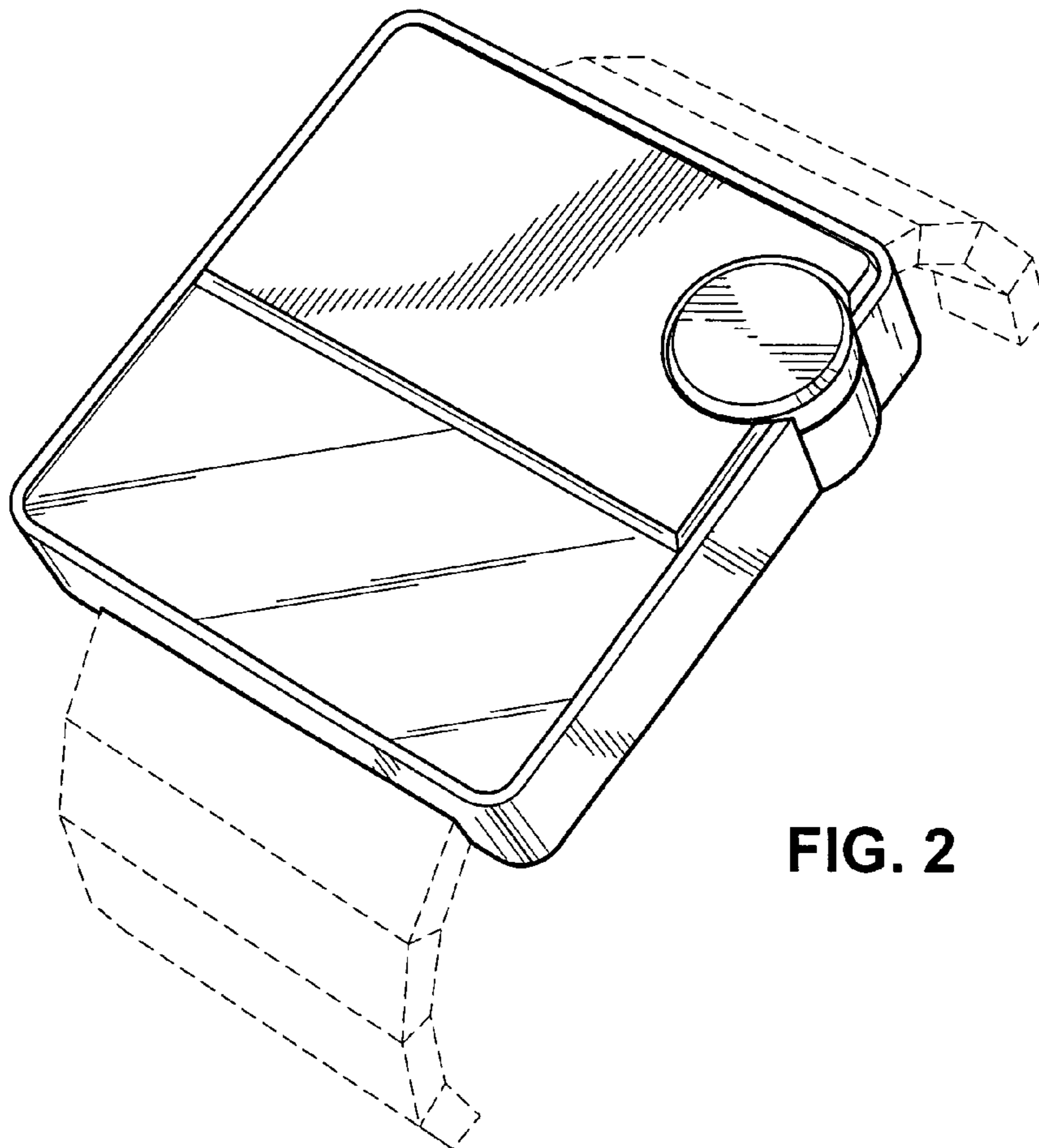


FIG. 2

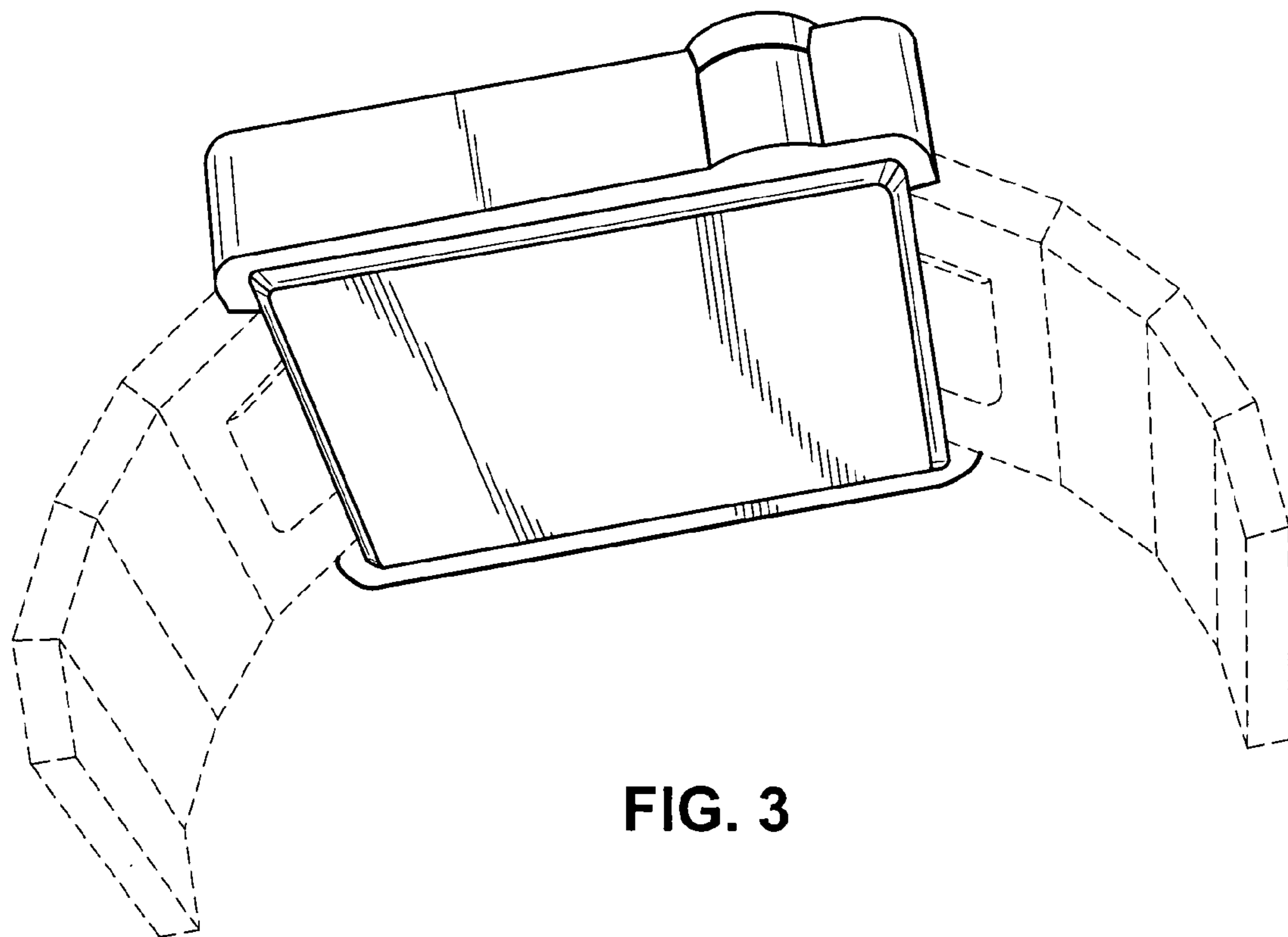


FIG. 3

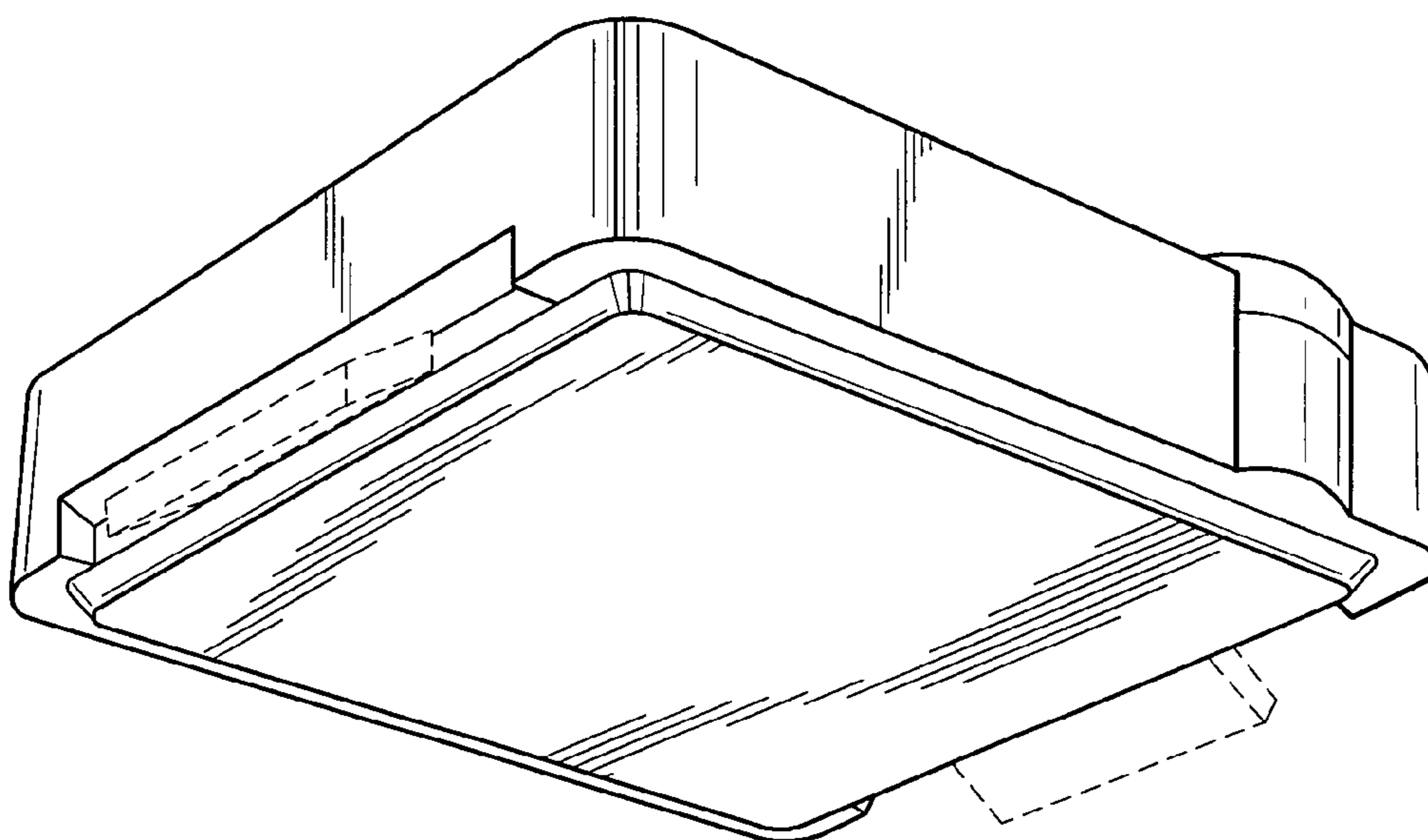


FIG. 4

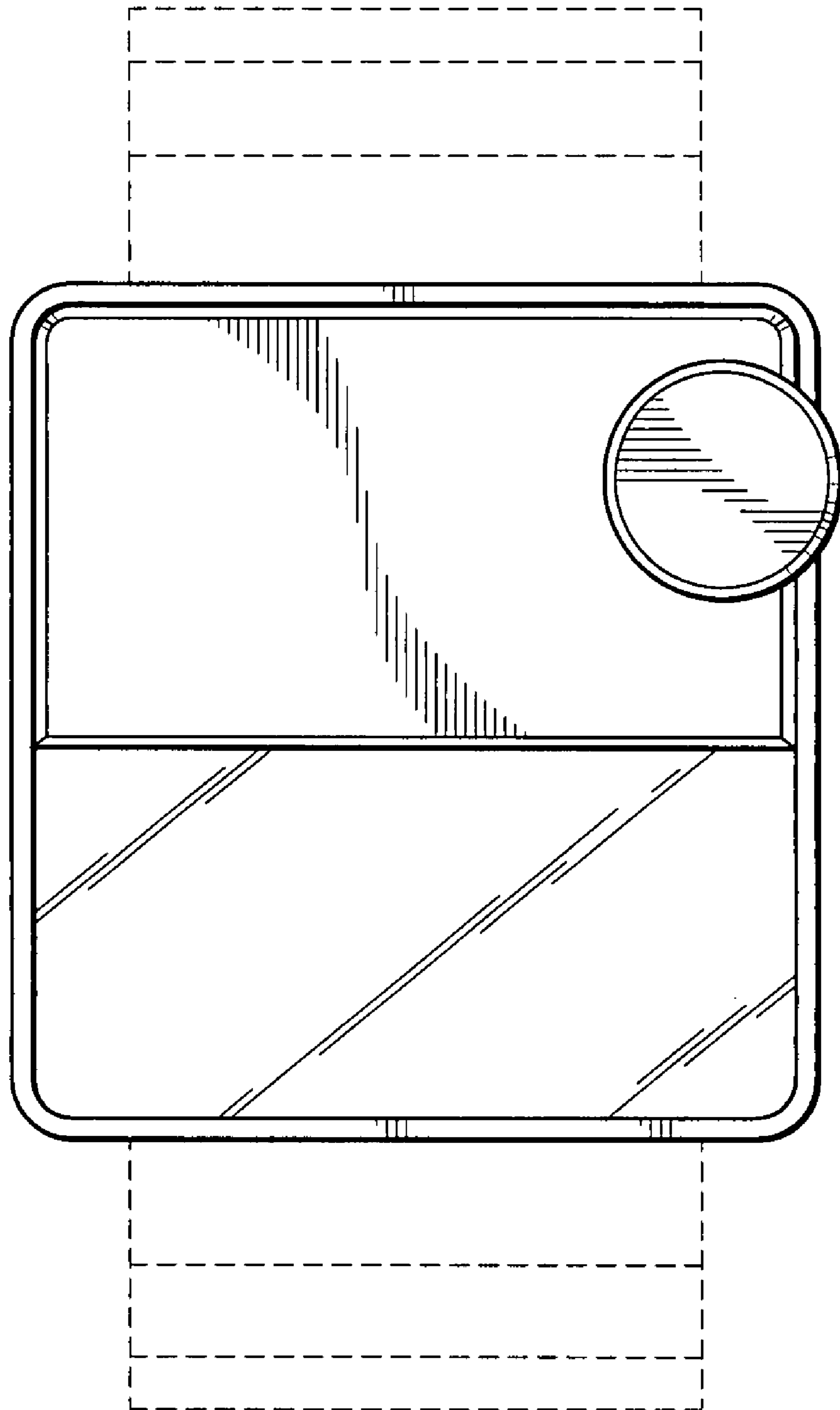


FIG. 5

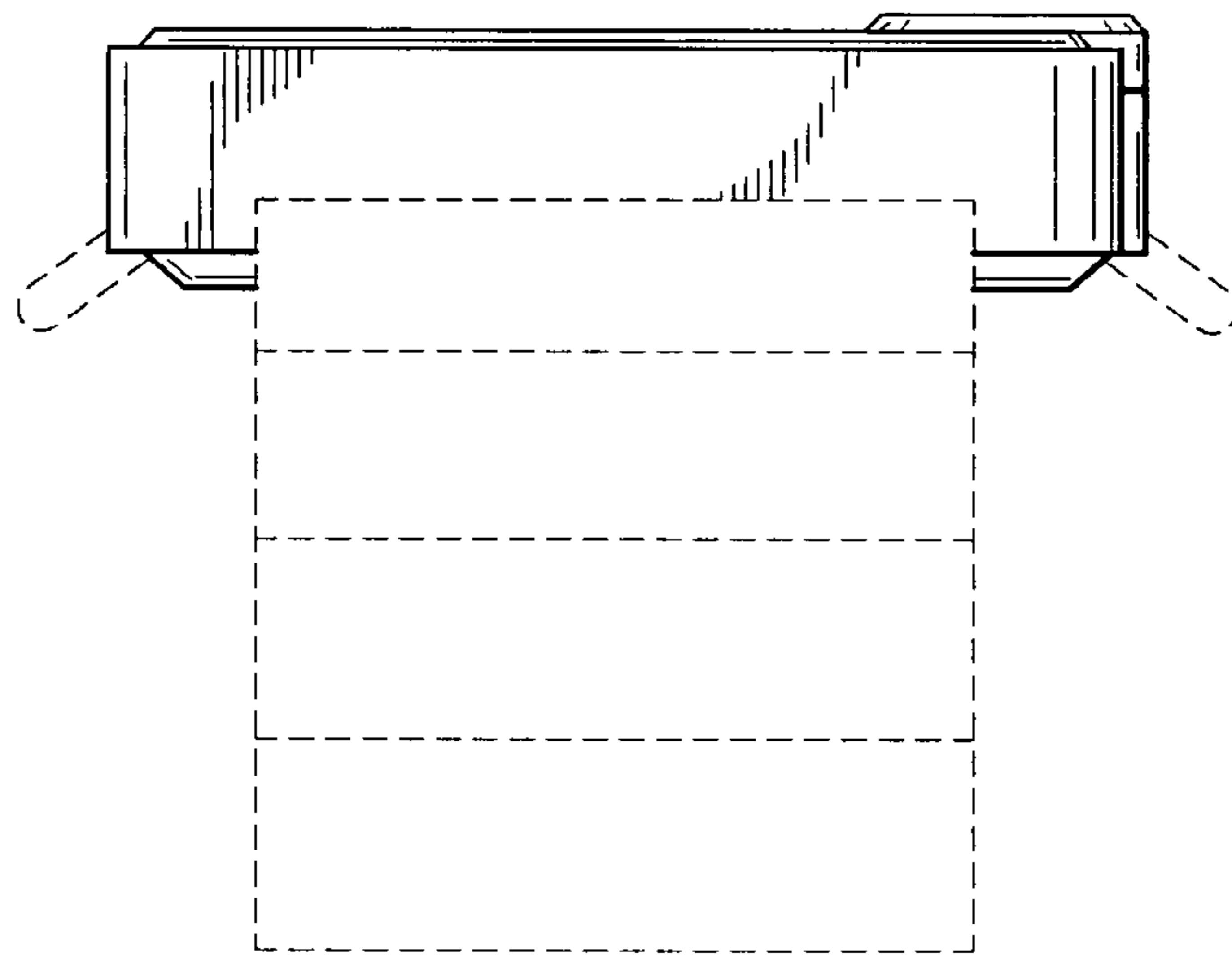
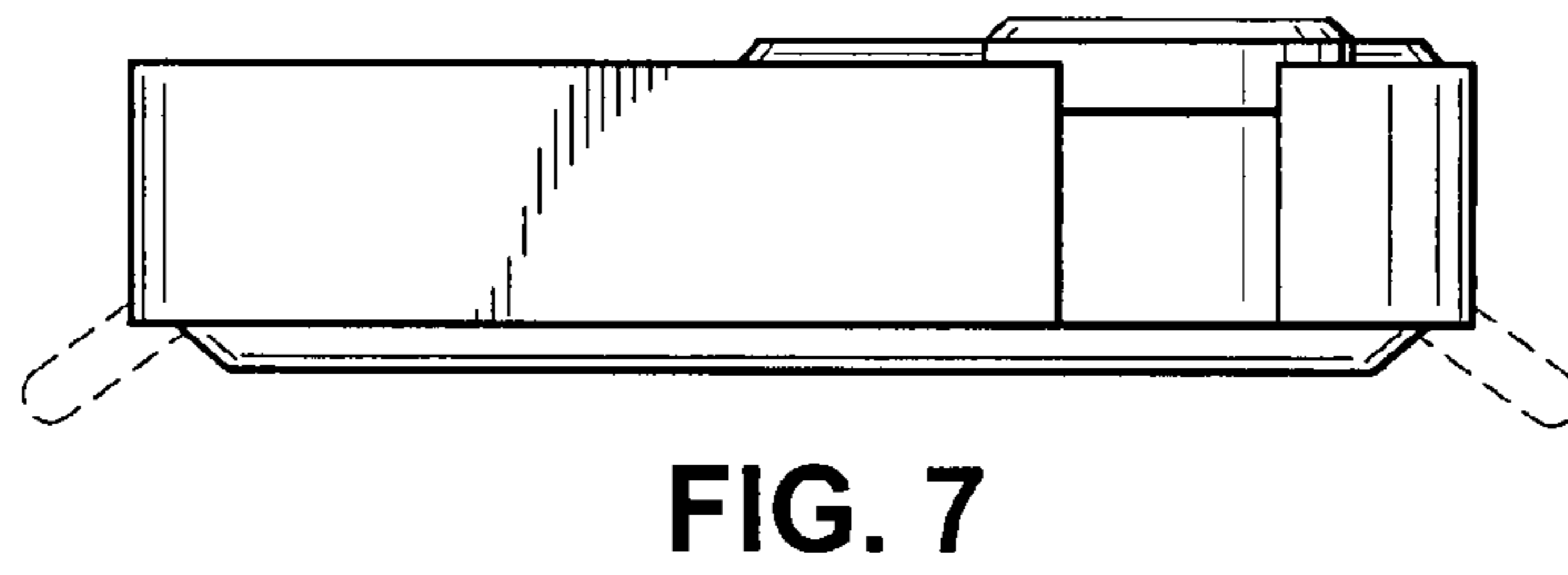
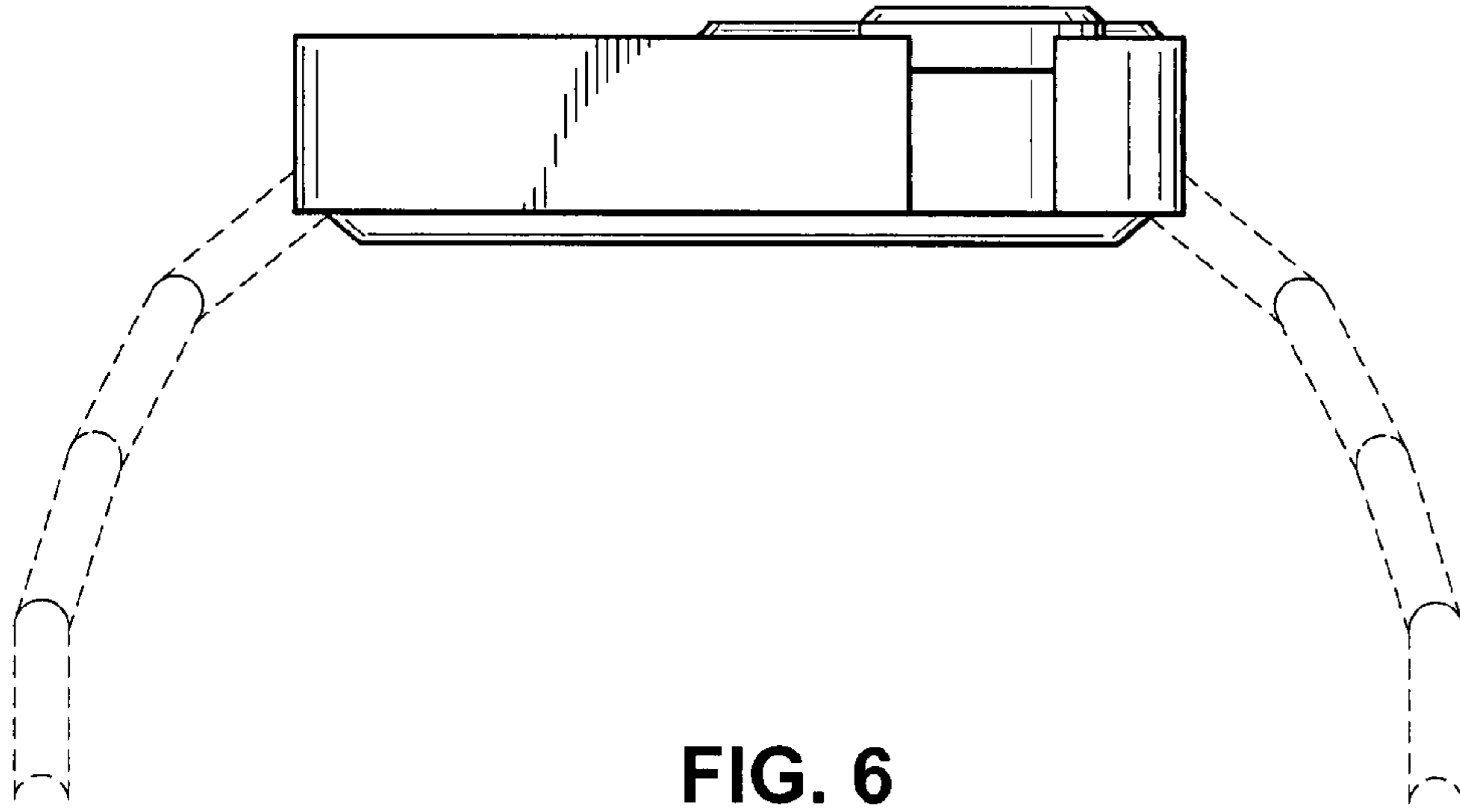


FIG. 8