



US00D574734S

(12) **United States Design Patent**
Loth

(10) **Patent No.:** **US D574,734 S**
(45) **Date of Patent:** **** Aug. 12, 2008**

(54) **WRISTWATCH**

(75) Inventor: **Eric Loth**, La Chaux-de-Fonds (CH)

(73) Assignee: **The British Masters SA**, La Chaux-De-Fonds (CH)

(**) Term: **14 Years**

(21) Appl. No.: **29/265,265**

(22) Filed: **Aug. 29, 2006**

(30) **Foreign Application Priority Data**

Mar. 28, 2006 (CH) 132661

(51) **LOC (8) Cl.** **10-02**

(52) **U.S. Cl.** **D10/38**

(58) **Field of Classification Search** D10/30-40,
D10/122-132; D11/3-25; 224/164-168;
368/10, 21, 28-30, 223, 228, 232, 234, 239-242,
368/276-277, 280-283, 285, 294-295, 308,
368/319-321

See application file for complete search history.

(56) **References Cited**

U.S. PATENT DOCUMENTS

3,427,800	A *	2/1969	Blum	368/223
D391,176	S *	2/1998	Bulgari	D10/39
D447,705	S *	9/2001	Scheufele	D10/39
D452,175	S *	12/2001	Finazzi	D10/39
D457,817	S *	5/2002	Brandt	D10/39
D459,242	S *	6/2002	Wunderman	D10/32

D473,475	S *	4/2003	Baumann	D10/32
D517,432	S *	3/2006	Laucella	D10/39
D519,851	S *	5/2006	Seyr	D10/31
D519,852	S *	5/2006	Roden	D10/31
D533,468	S *	12/2006	Loth	D10/32
D536,996	S *	2/2007	Loth	D10/32
D540,195	S *	4/2007	Nussbaumer et al.	D10/31

* cited by examiner

Primary Examiner—Caron D. Veynar

Assistant Examiner—Ricky Pham

(74) *Attorney, Agent, or Firm*—Sughrue Mion, PLLC

(57) **CLAIM**

The ornamental design for a wristwatch, as shown and described.

DESCRIPTION

FIG. 1 is a front elevational view of a wristwatch showing my new design;

FIG. 2 is a perspective view of the front and left side thereof;

FIG. 3 is a perspective view of the front and right side thereof;

FIG. 4 is a rear elevational view thereof;

FIG. 5 is a right side elevational view thereof;

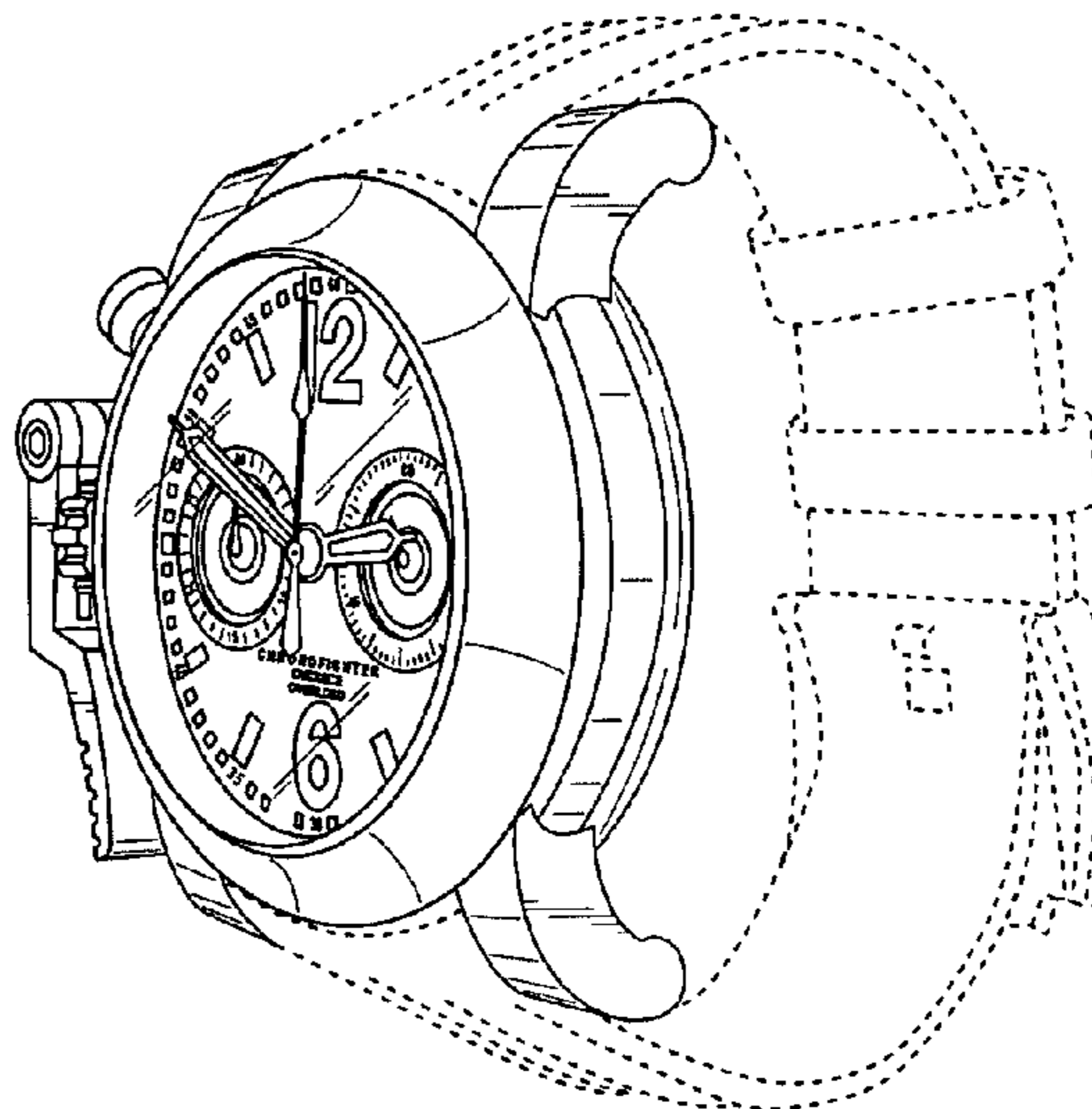
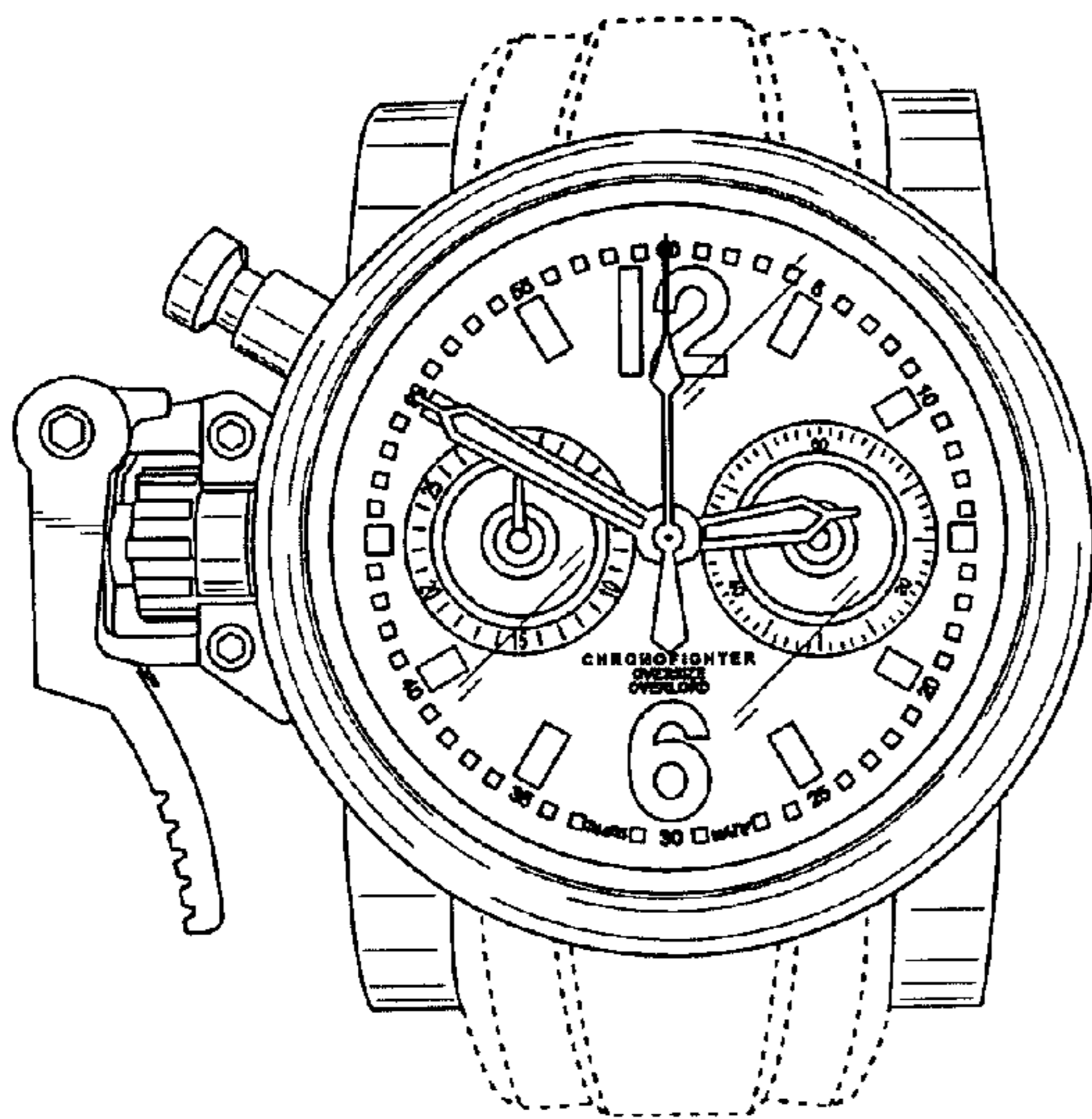
FIG. 6 is a left side elevational view thereof;

FIG. 7 is a top plan view thereof; and,

FIG. 8 is a bottom plan view thereof.

The portions shown in broken lines are for illustrative purposes only and form no part of the claimed design.

1 Claim, 4 Drawing Sheets



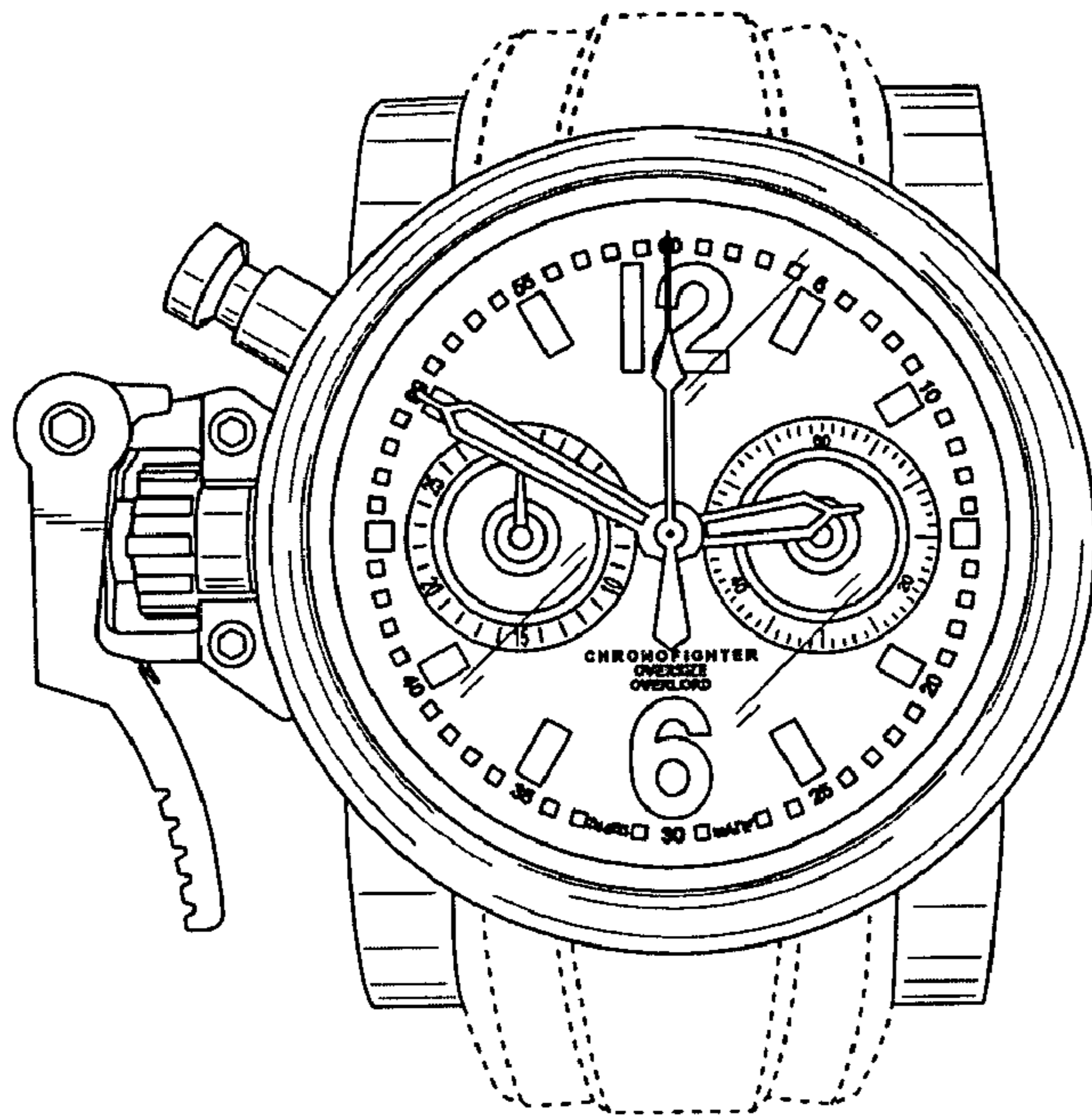


Fig. 1

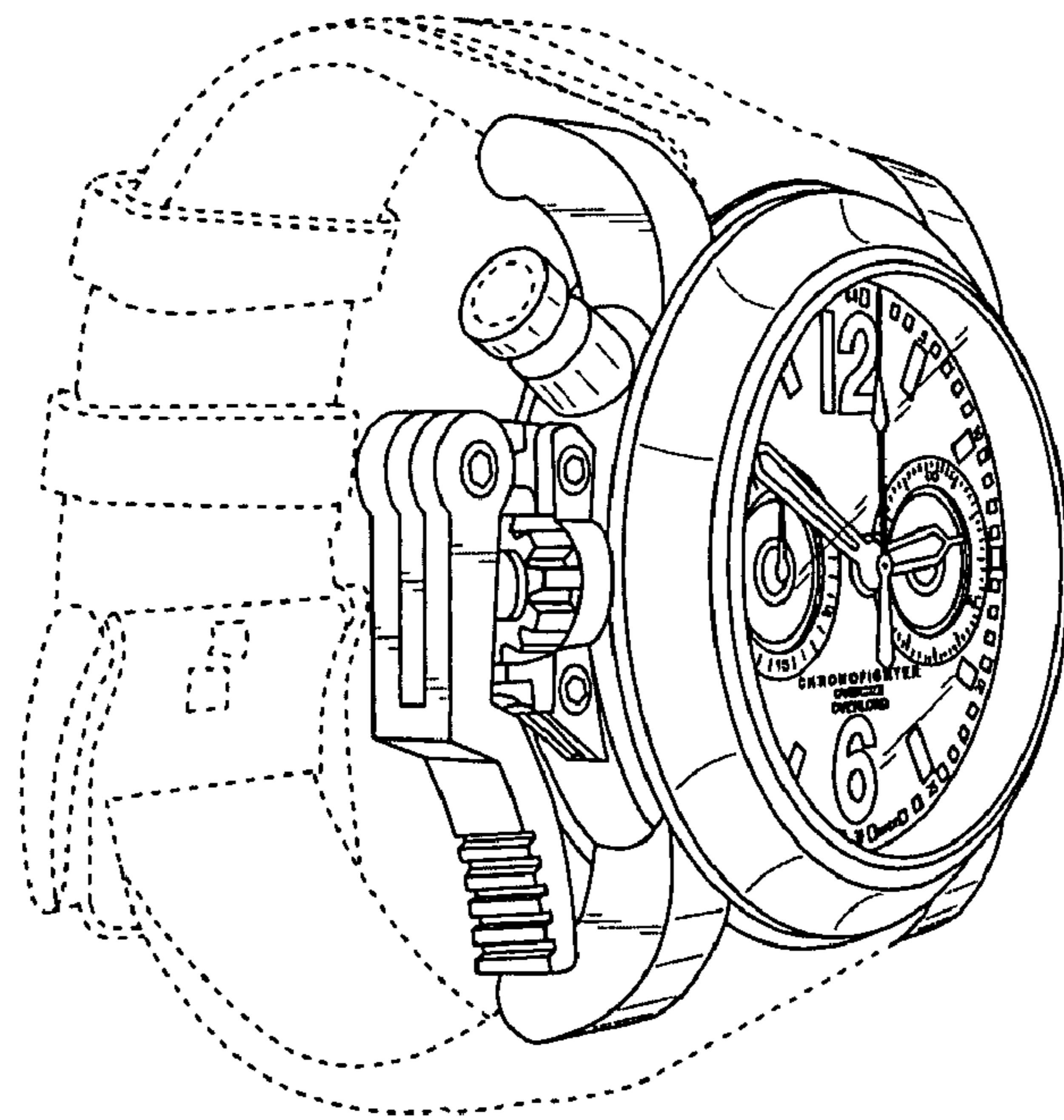


Fig. 2

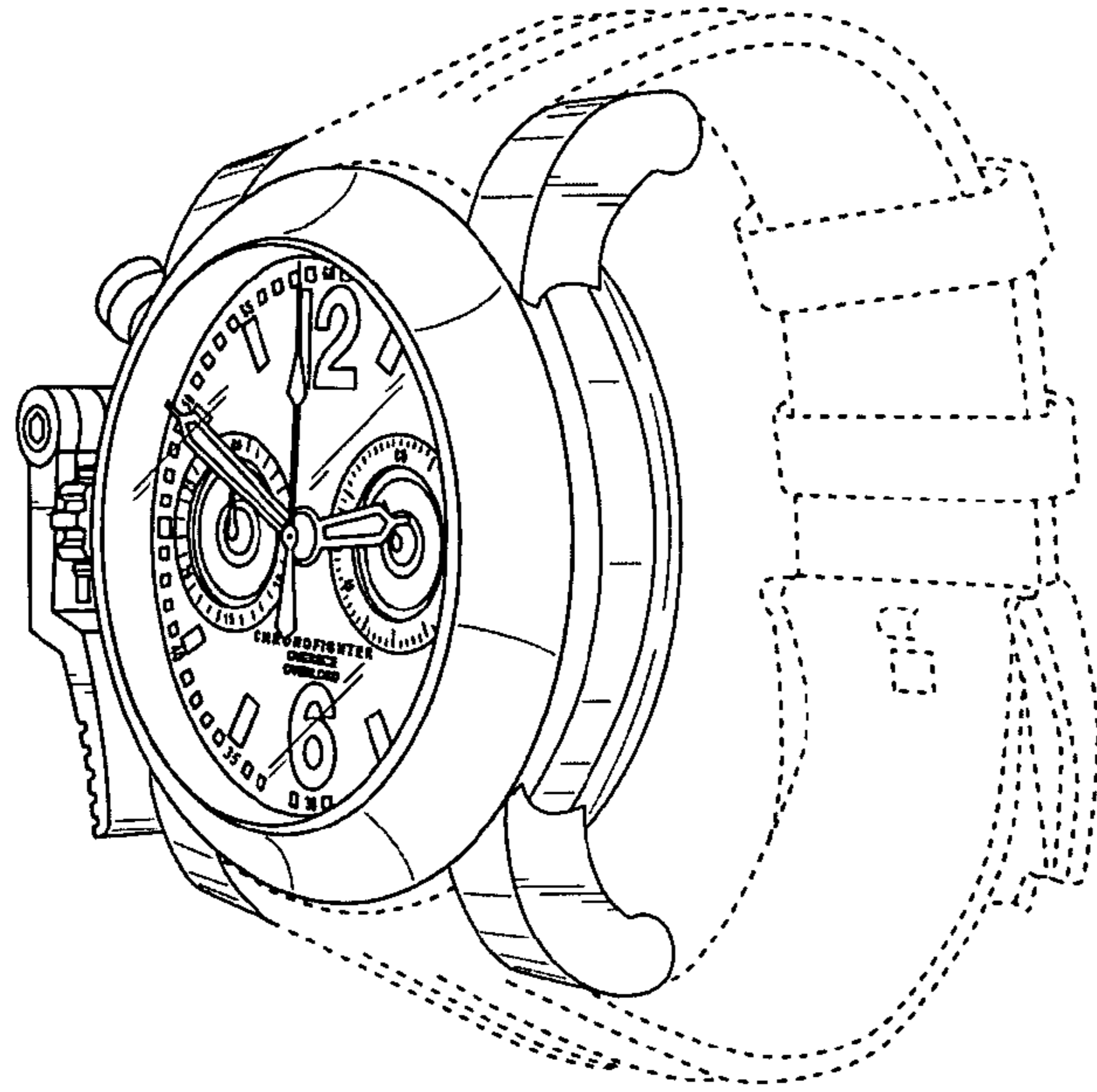


Fig. 3

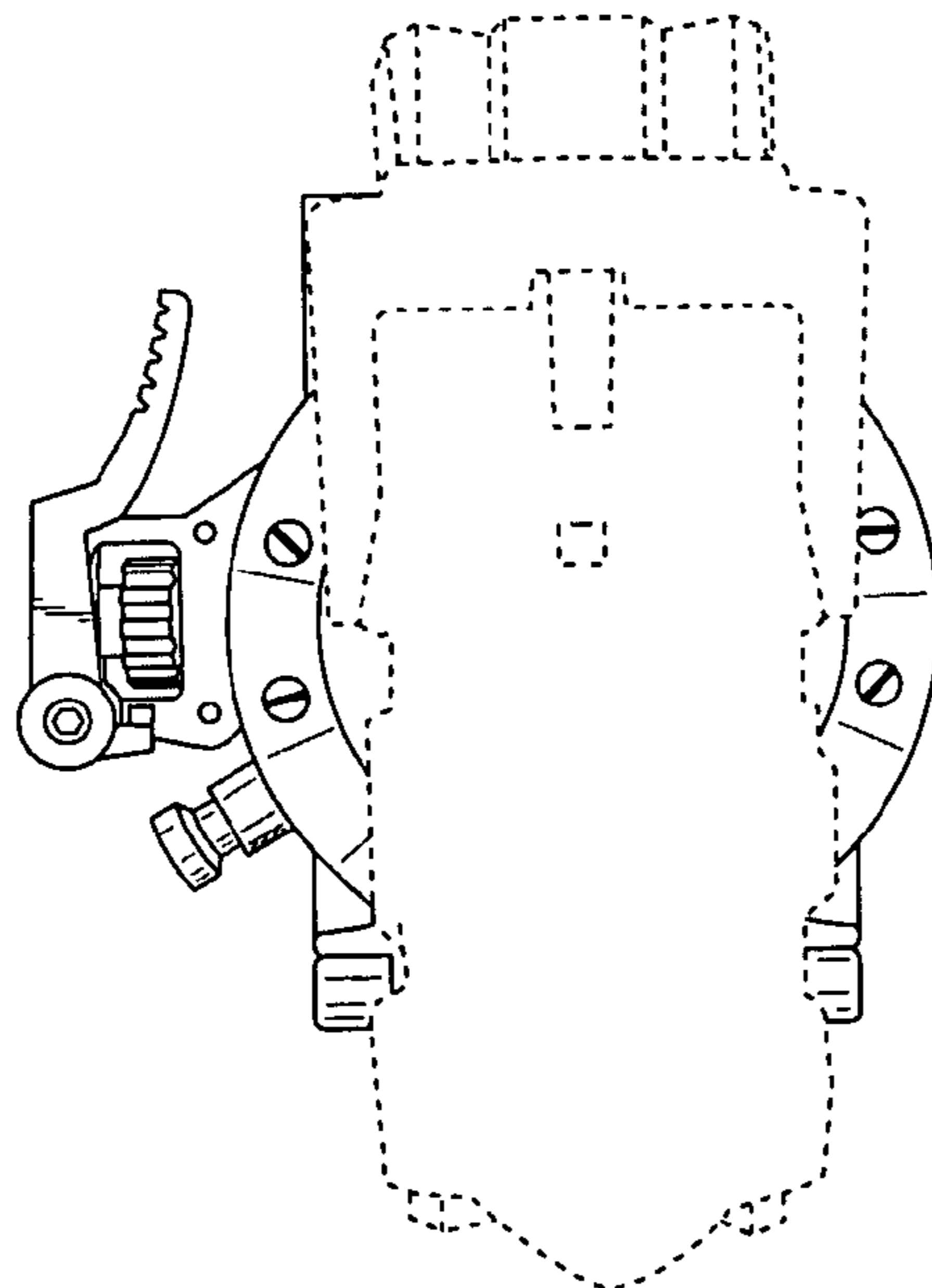


Fig. 4

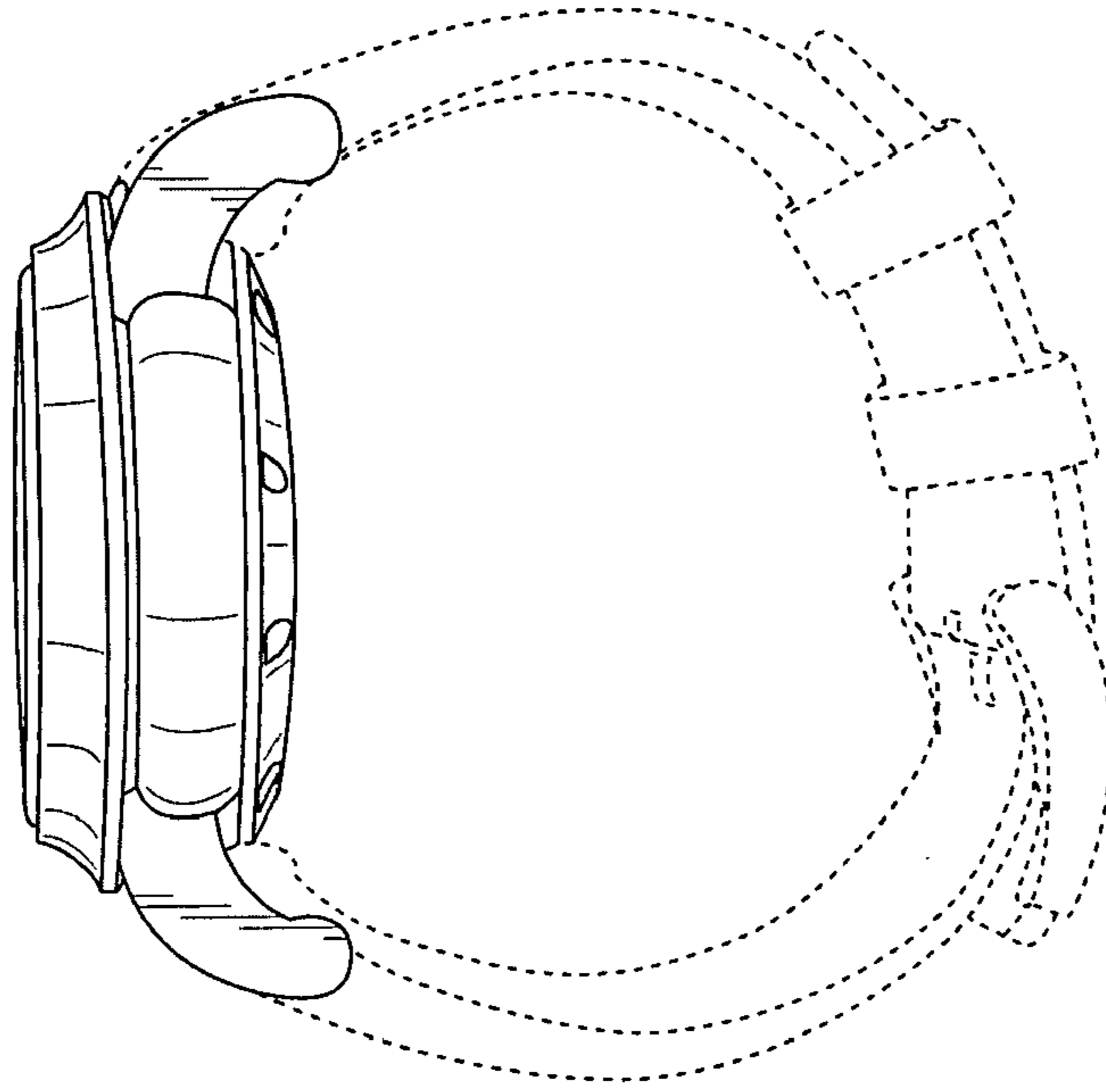


Fig. 5

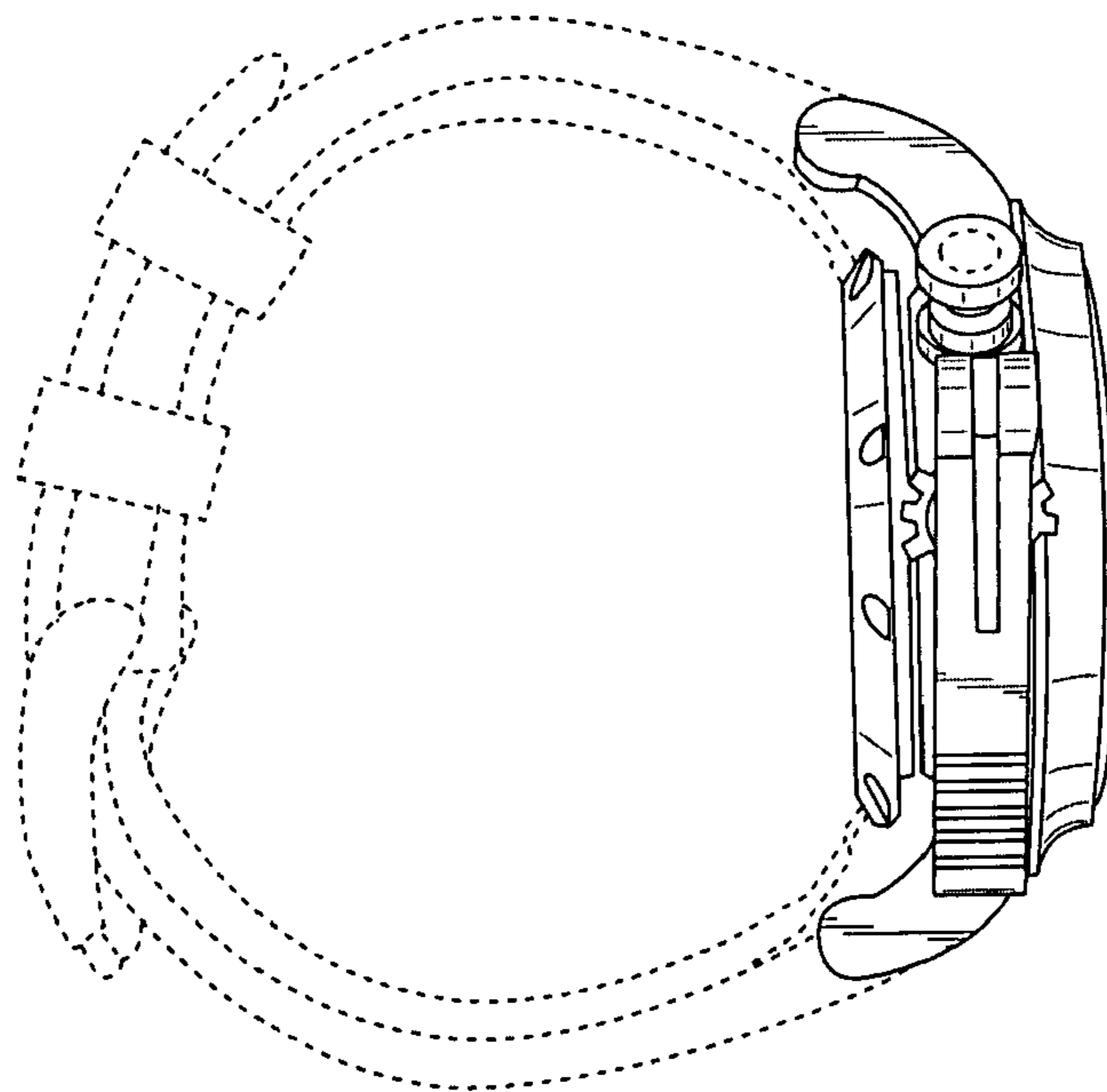


Fig. 6

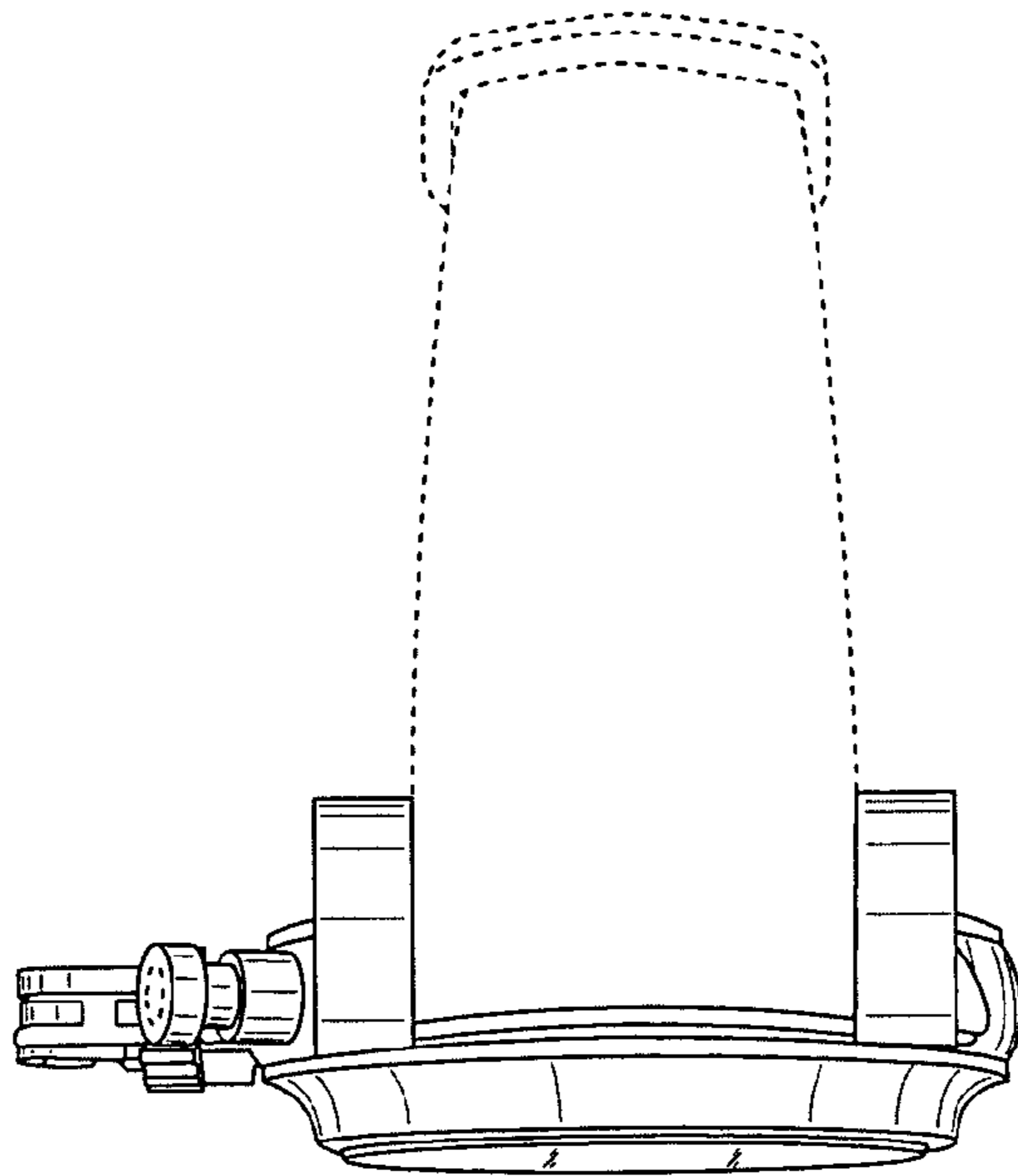


Fig. 7

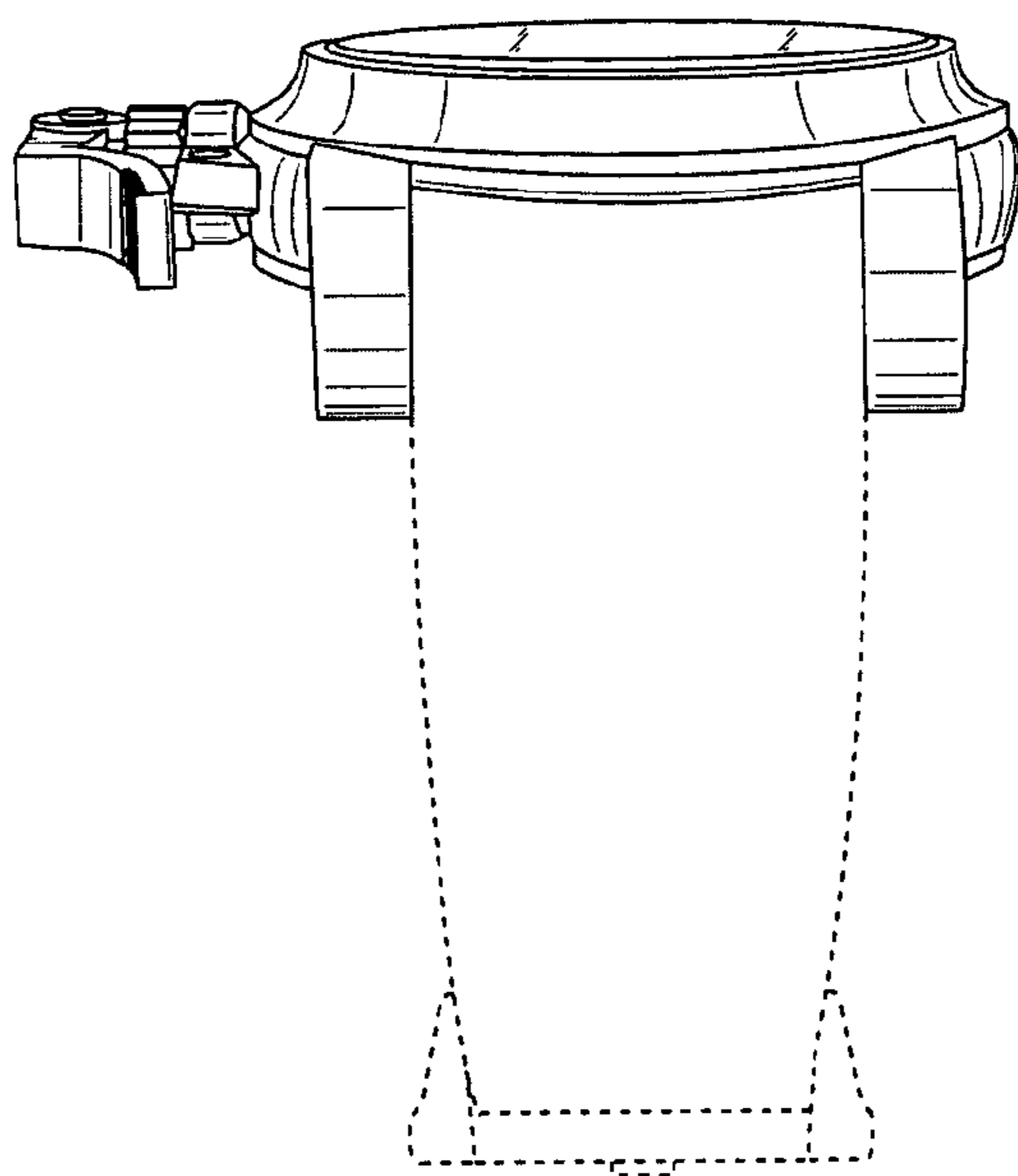


Fig. 8