



US00D574727S

(12) **United States Design Patent**
Kim

(10) **Patent No.:** **US D574,727 S**
(45) **Date of Patent:** **** Aug. 12, 2008**

(54) **TUXEDO SHIRT AND ACCESSORIES
ARRANGED IN A BOX**

(75) Inventor: **Cin Kim**, Alpine, NJ (US)

(73) Assignee: **Peacock Apparel Group, Inc.**, New York, NY (US)

(**) Term: **14 Years**

(21) Appl. No.: **29/278,098**

(22) Filed: **Mar. 19, 2007**

(51) **LOC (8) Cl.** **09-03**

(52) **U.S. Cl.** **D9/721**

(58) **Field of Classification Search** D9/414,
D9/415, 418, 423, 430, 432, 434, 456, 457,
D9/199, 715, 721, 722, 737; D2/500–502,
D2/600, 602, 605–607, 609, 728, 828–830,
D2/840–842, 847, 849, 853, 854; D3/272;
D6/300; 2/69, 77, 102, 115, 137–139, 144,
2/145, 148, 151, 154; 206/554; 223/83,
223/84; 229/87.15, 125.08, 136, 160, 161,
229/240, 275

See application file for complete search history.

(56) **References Cited**

U.S. PATENT DOCUMENTS

2,063,255 A * 12/1936 Madsen et al. 223/83
3,043,494 A * 7/1962 Moore 229/161
D261,479 S * 10/1981 Marks D3/272
4,762,272 A * 8/1988 Herrin 229/125.08

4,933,991 A * 6/1990 Love 2/115
D343,356 S * 1/1994 Wittman D9/415
D349,181 S * 8/1994 Cheng D2/842
D368,588 S * 4/1996 Goraleski et al. D6/300
D390,339 S * 2/1998 Dipietro D2/840
D492,595 S * 7/2004 Chang D9/737
7,096,509 B2 * 8/2006 Kim 2/145
D546,674 S * 7/2007 Limber D9/432
D553,495 S * 10/2007 Vandecasteele et al. D9/432

* cited by examiner

Primary Examiner—Stella M. Reid

(74) *Attorney, Agent, or Firm*—Leason Ellis LLP

(57) **CLAIM**

The ornamental design for tuxedo shirt and accessories arranged in a box, as shown and described.

DESCRIPTION

FIG. 1 is a top, front, side perspective view of a tuxedo shirt and accessories arranged in a box, showing my new design.

FIG. 2 is a rear elevation view thereof;

FIG. 3 is a right side elevation view, the left side being a mirror image thereof;

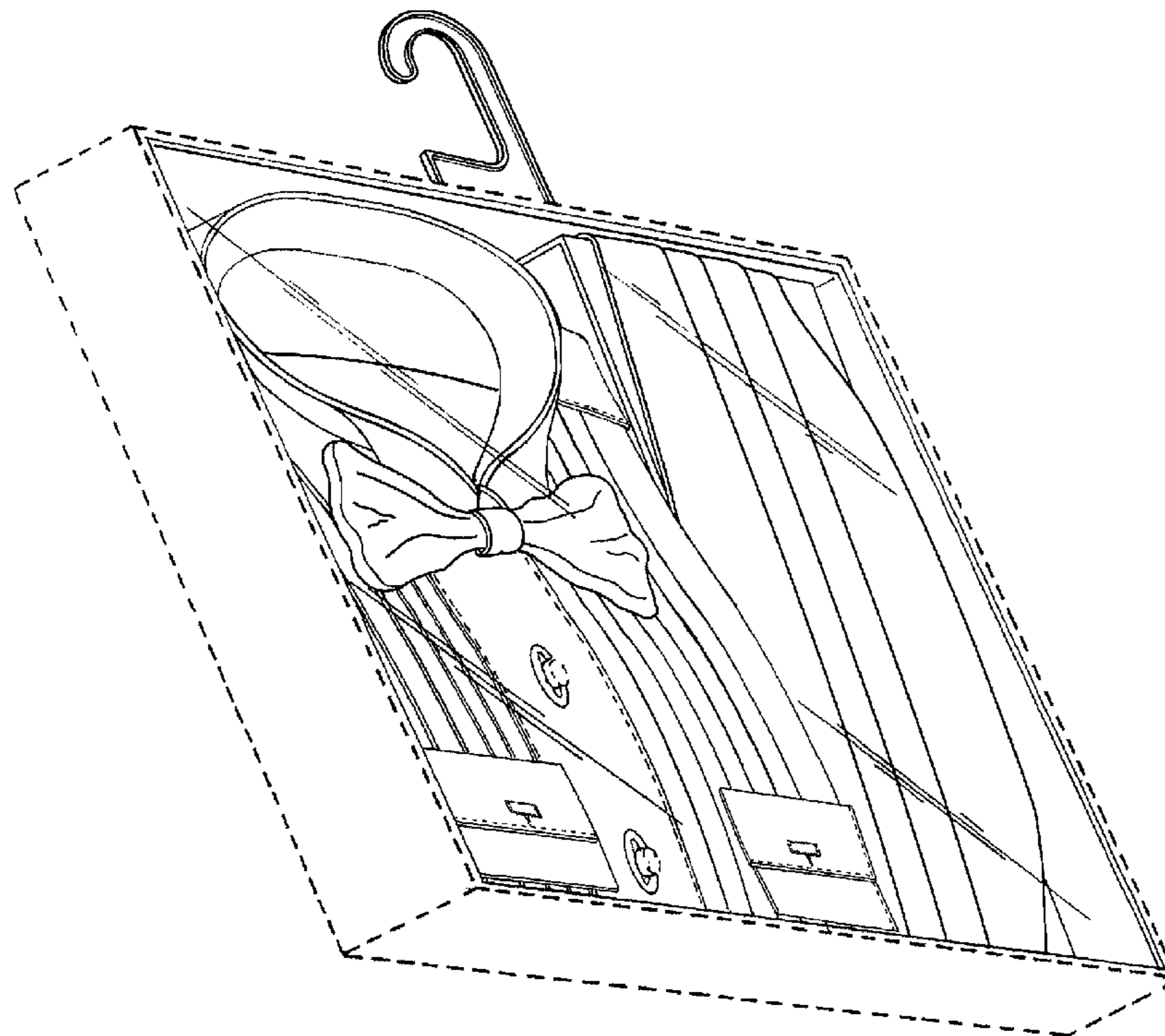
FIG. 4 is a top plan view thereof; and,

FIG. 5 is a bottom plan view thereof.

The broken lines in FIGS. 1–5 are for illustrative purposes only and form no part of the claimed design.

All sides not shown form no part of the claimed design.

1 Claim, 3 Drawing Sheets



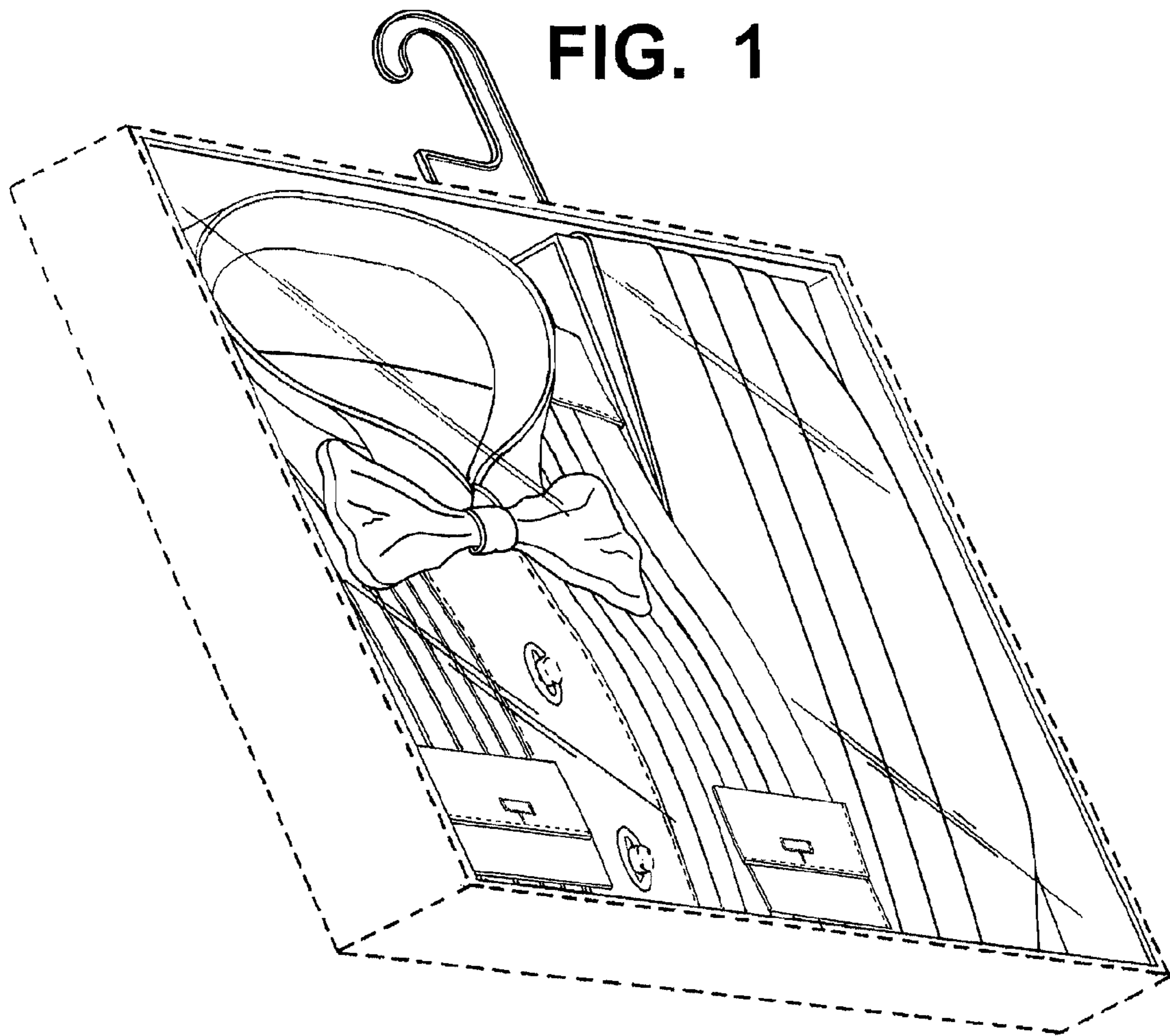


FIG. 2

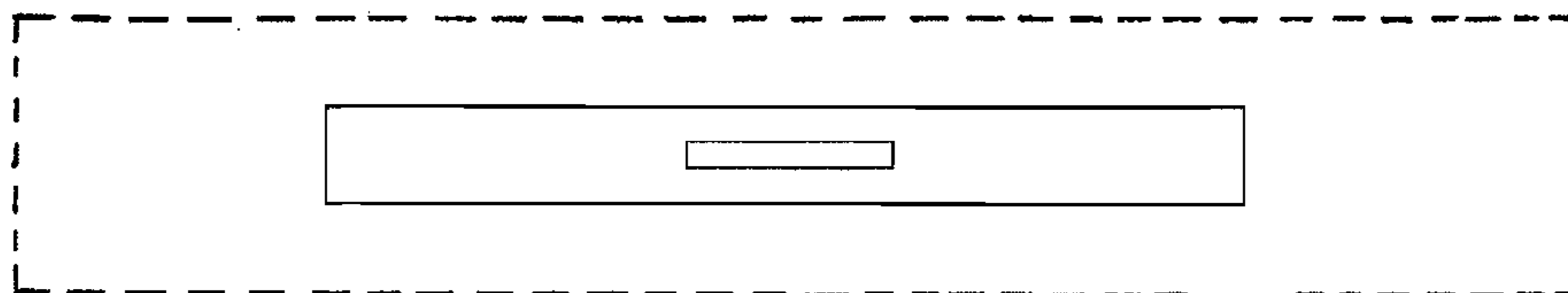


FIG. 3



FIG. 4

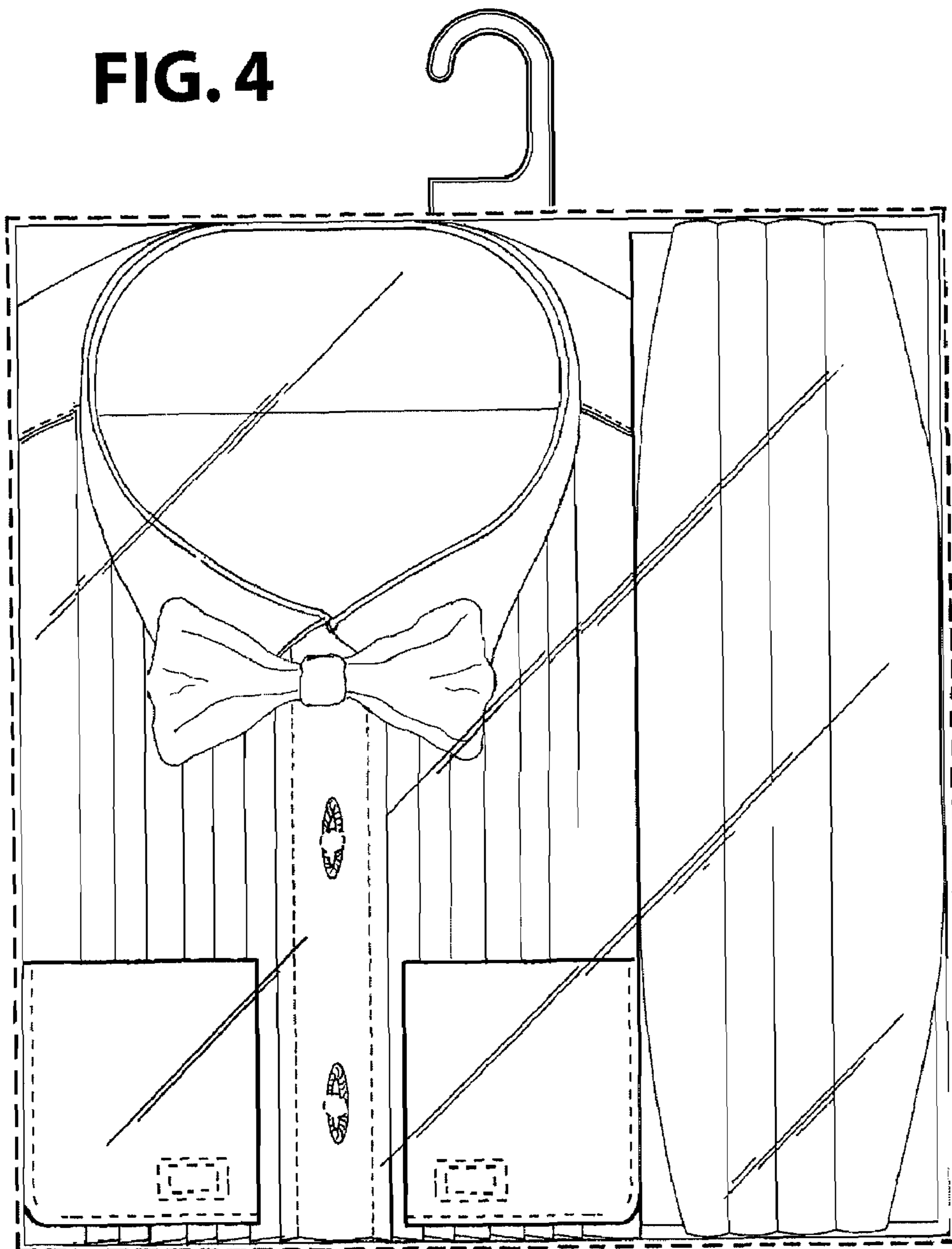


FIG. 5

