



US00D574714S

(12) **United States Design Patent**
Muehlhausen et al.

(10) **Patent No.:** **US D574,714 S**
(45) **Date of Patent:** **** Aug. 12, 2008**

(54) **BOTTLE**

(75) Inventors: **Hans-Georg Muehlhausen**, Duesseldorf (DE); **Matthias Reimann**, Dusseldorf (DE)

(73) Assignee: **Henkel AG & Co.KGaA**, Dusseldorf (DE)

(**) Term: **14 Years**

(21) Appl. No.: **29/294,506**

(22) Filed: **Jan. 15, 2008**

Related U.S. Application Data

(62) Division of application No. 29/271,184, filed on Jan. 11, 2007, now Pat. No. Des. 562,688.

(30) **Foreign Application Priority Data**

Jul. 13, 2006 (EP) 000560263

(51) **LOC (8) Cl.** **09-01**

(52) **U.S. Cl.** **D9/534**

(58) **Field of Classification Search** D9/516,
D9/523, 525, 528, 529, 531, 534, 540, 575;
215/14, 200, 217, 218, 223, 241, 379, 382-385,
215/396, 398; 220/200, 260, 890; 222/92,
222/109, 205, 210, 212; D23/211, 211.1,
D23/211.2

See application file for complete search history.

(56) **References Cited**

U.S. PATENT DOCUMENTS

D246,156 S * 10/1977 Muscatiello et al. D9/525
D273,275 S * 4/1984 Markis D9/534
D346,962 S * 5/1994 Steijns et al. D9/523

D377,902 S * 2/1997 Marucci D9/534
D485,185 S * 1/2004 Versace D9/523
D510,869 S * 10/2005 Gross et al. D9/523
D529,398 S * 10/2006 Van Dingenen D9/719

* cited by examiner

Primary Examiner—Stella M. Reid

Assistant Examiner—Shanda C Hill

(74) *Attorney, Agent, or Firm*—Connolly Bove Lodge & Hutz LLP

(57) **CLAIM**

The ornamental design for bottle, as shown and described.

DESCRIPTION

FIG. 1 is a perspective view of a first embodiment of a bottle showing our new design;

FIG. 2 is a front elevational view thereof;

FIG. 3 is a rear elevational view thereof;

FIG. 4 is a left side elevational view thereof;

FIG. 5 is a right side elevational view thereof;

FIG. 6 is a top plan view thereof;

FIG. 7 is a bottom plan view thereof;

FIG. 8 is a perspective view of the second embodiment of the bottle;

FIG. 9 is a front elevational view thereof;

FIG. 10 is a rear elevational view thereof;

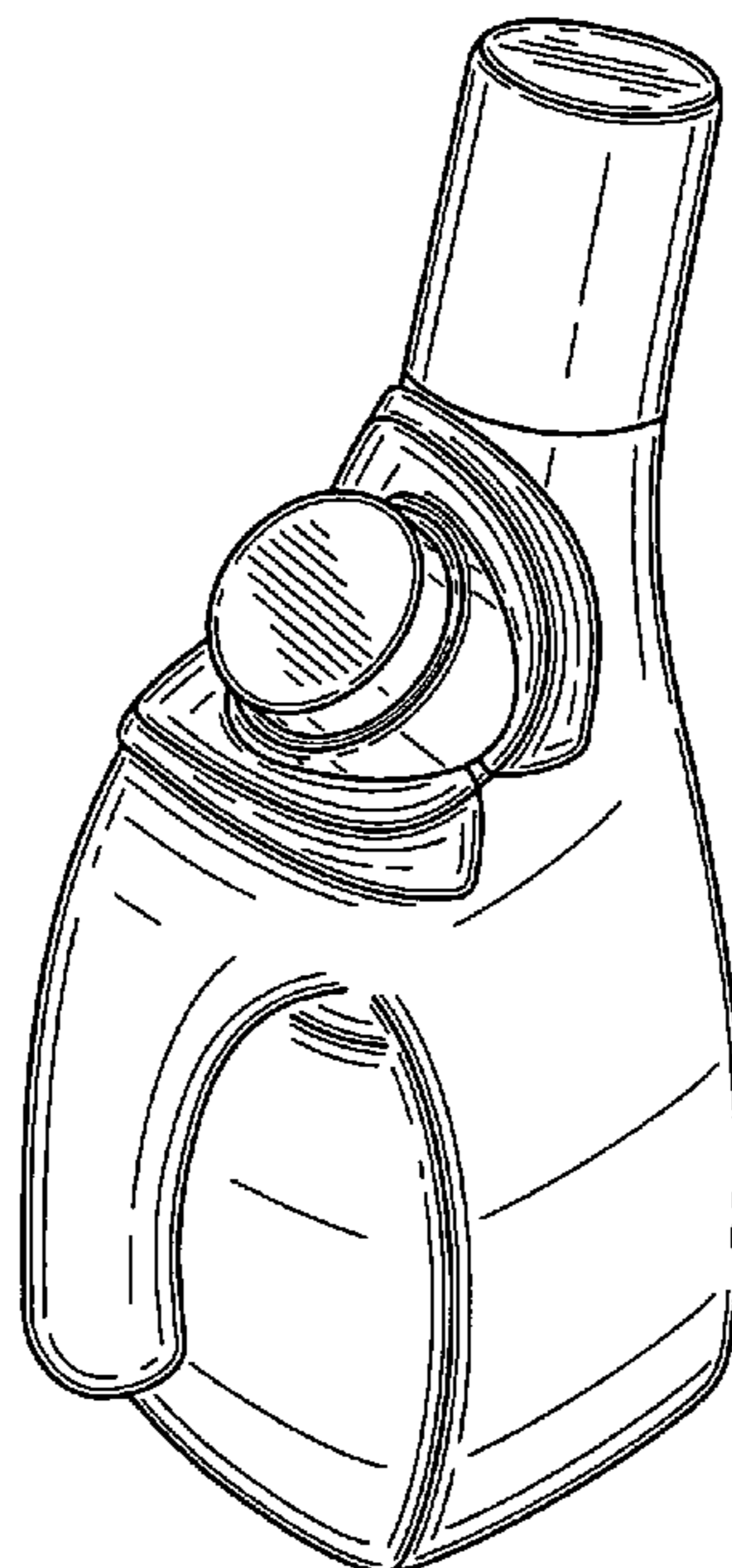
FIG. 11 is a left side elevational view thereof;

FIG. 12 is a right side elevational view thereof;

FIG. 13 is a top plan view thereof; and,

FIG. 14 is a bottom plan view thereof.

1 Claim, 8 Drawing Sheets



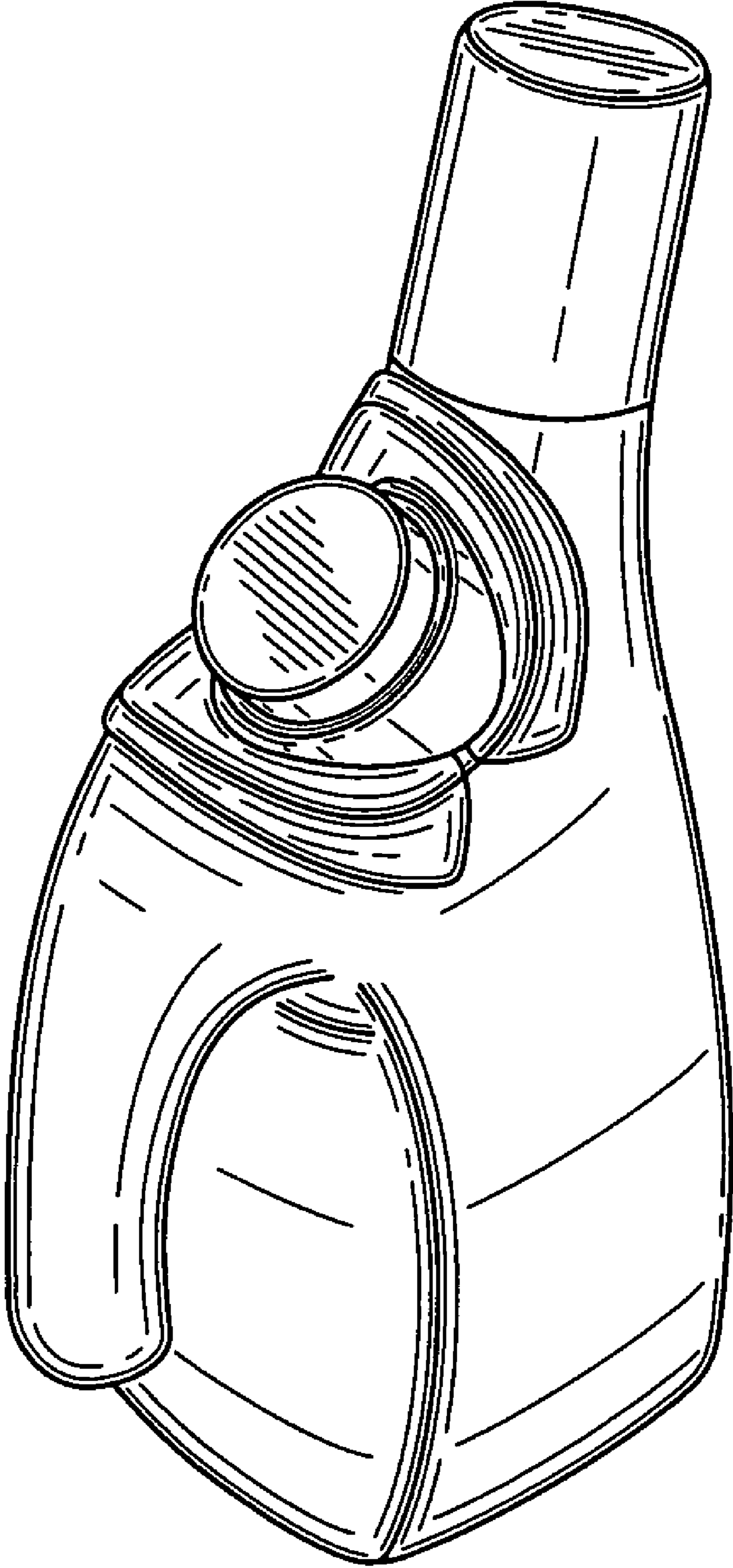


FIG. 1

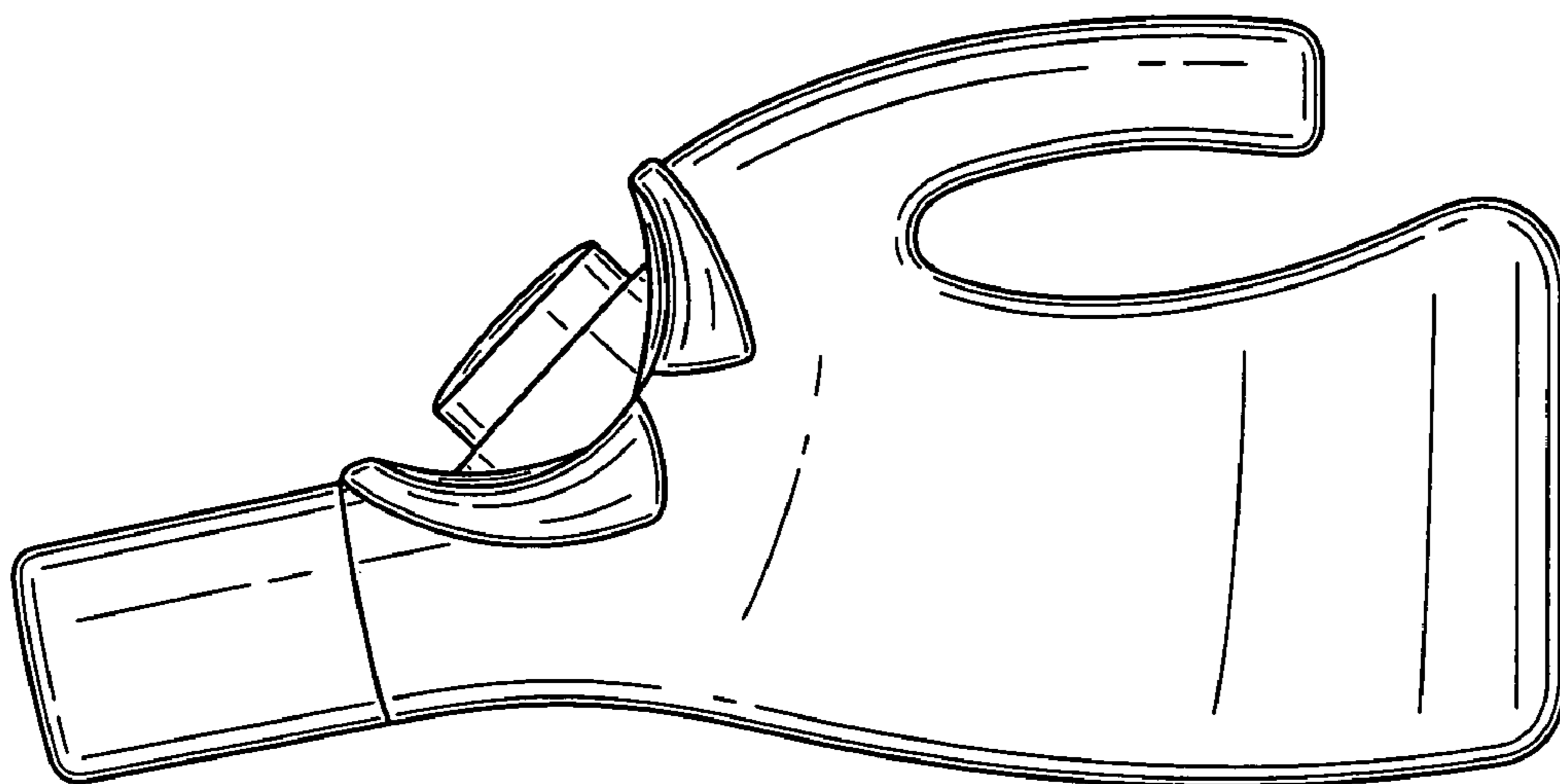


FIG. 2

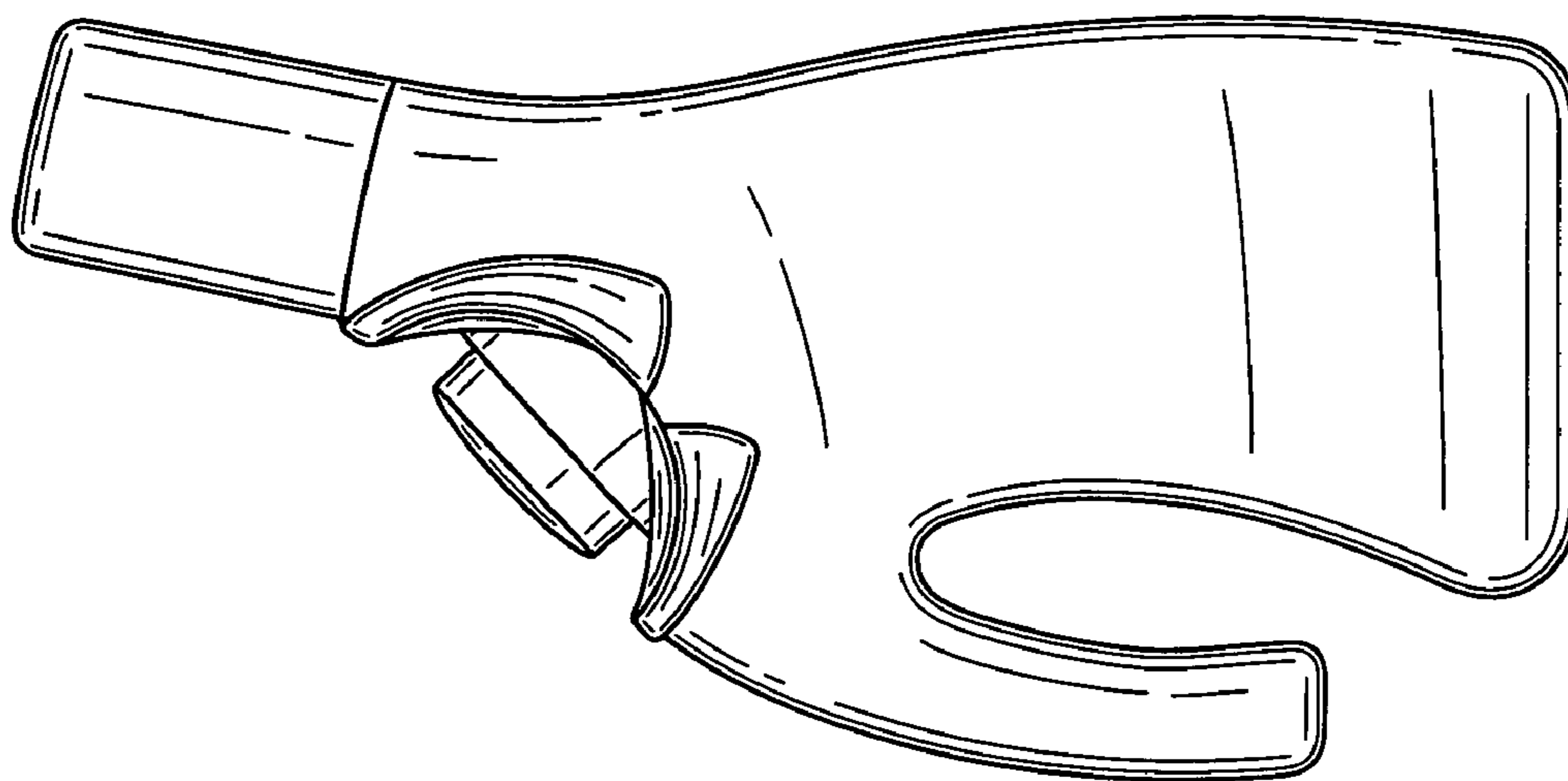


FIG. 3

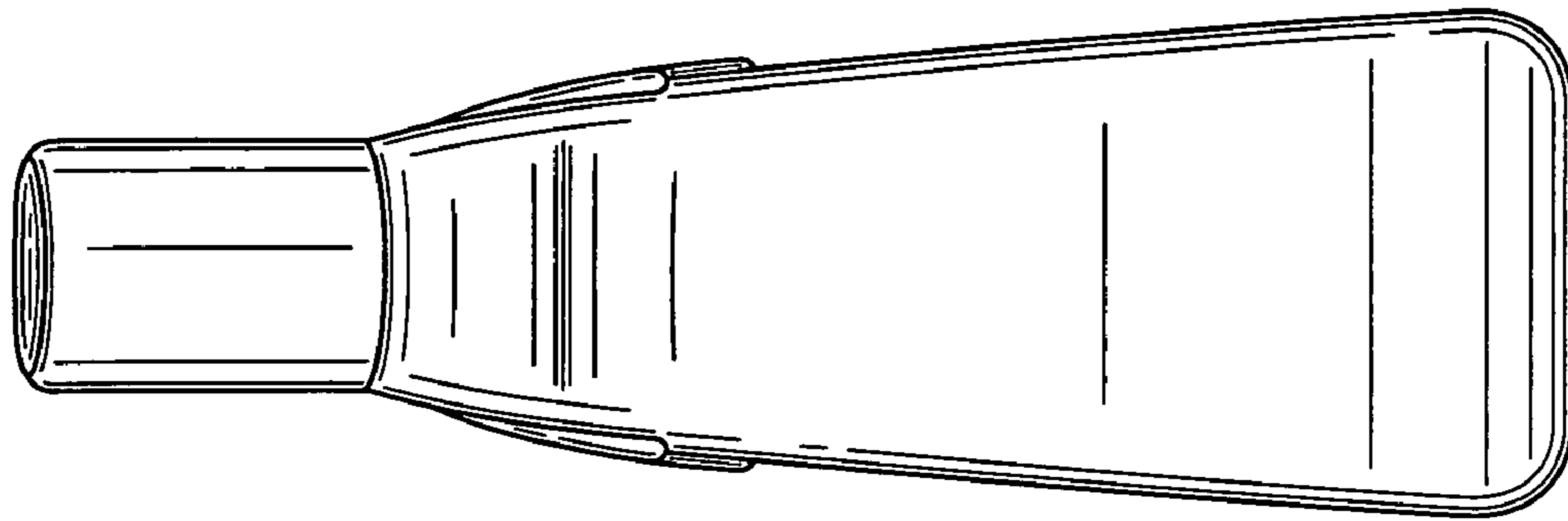


FIG. 5

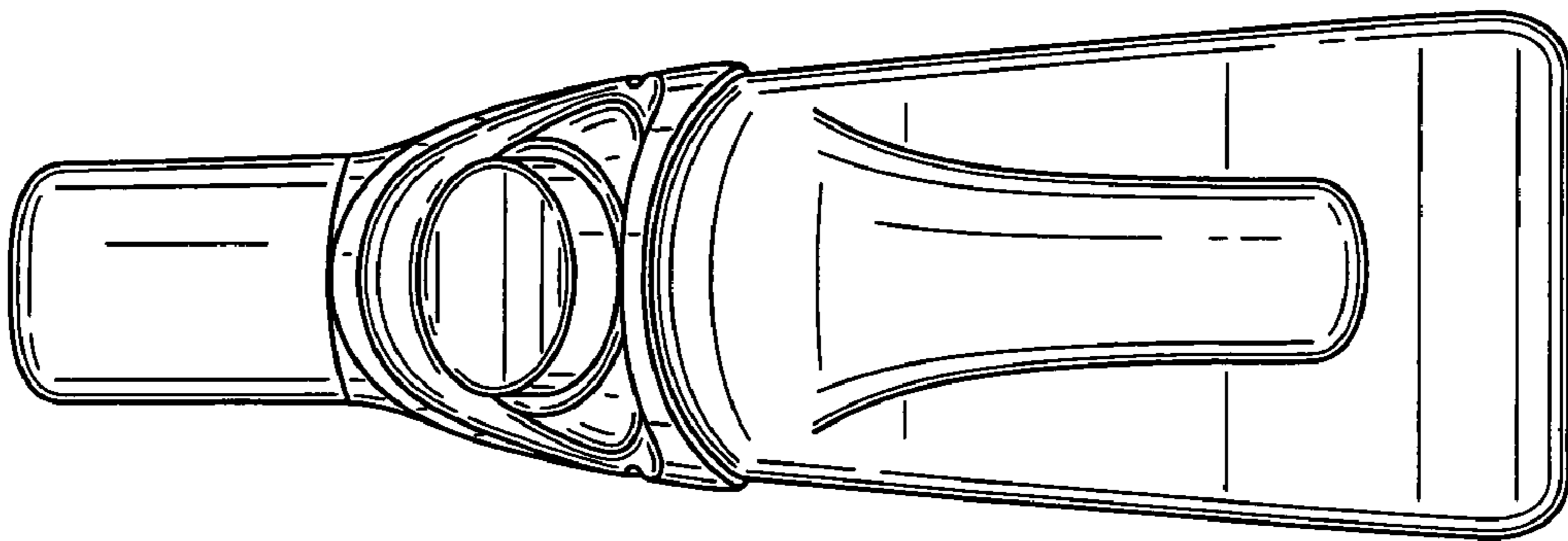


FIG. 4

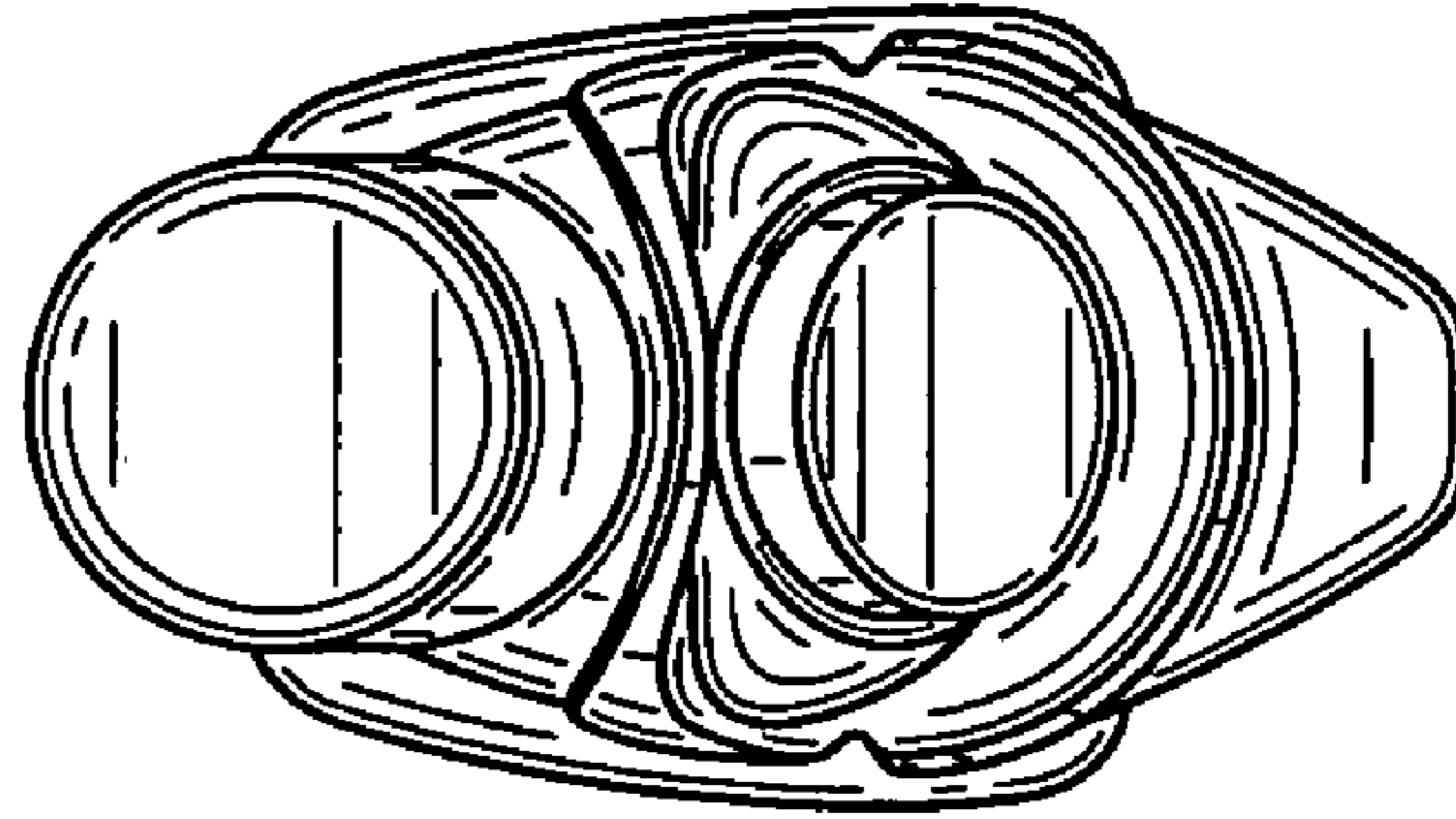


FIG. 6

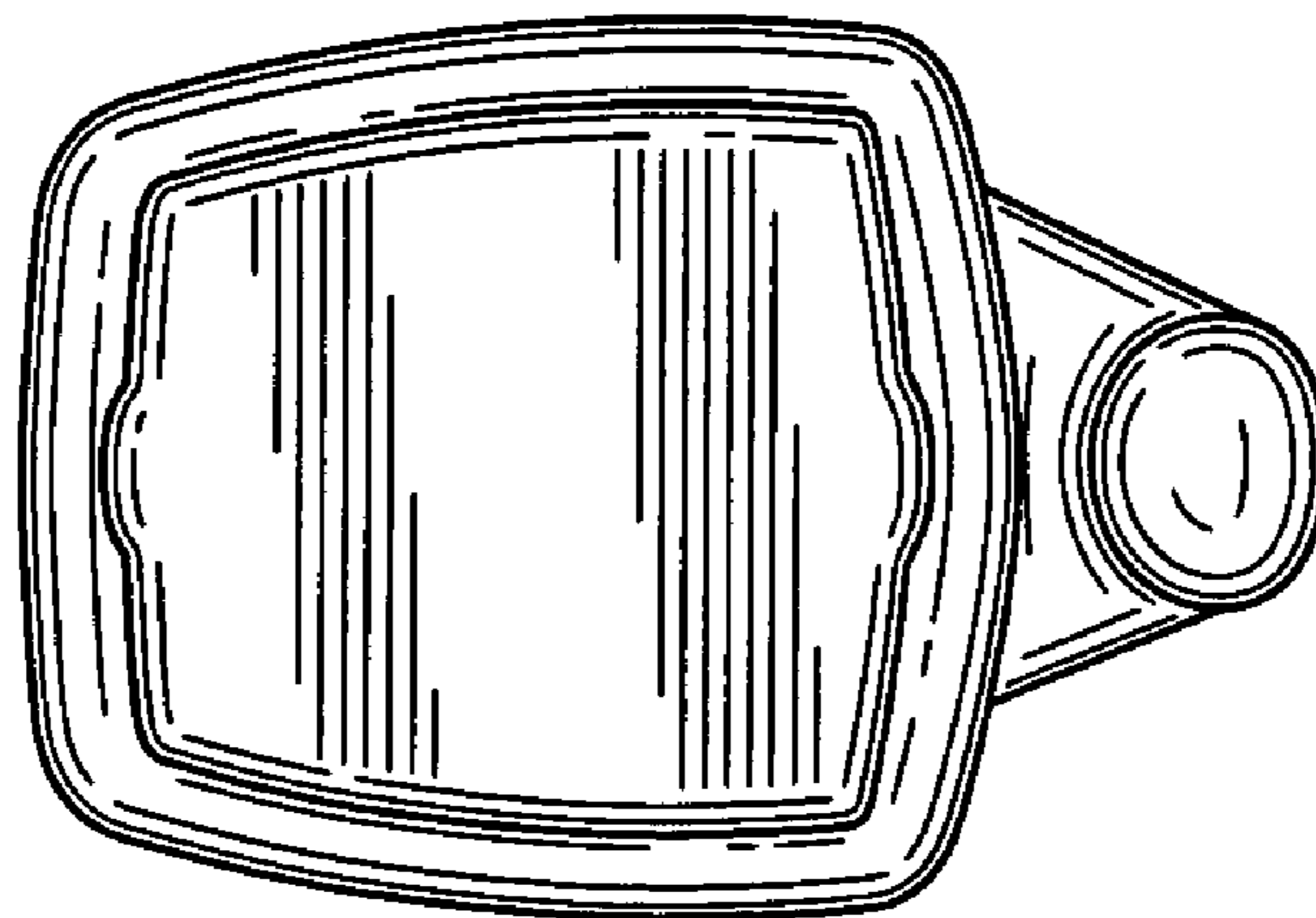


FIG. 7

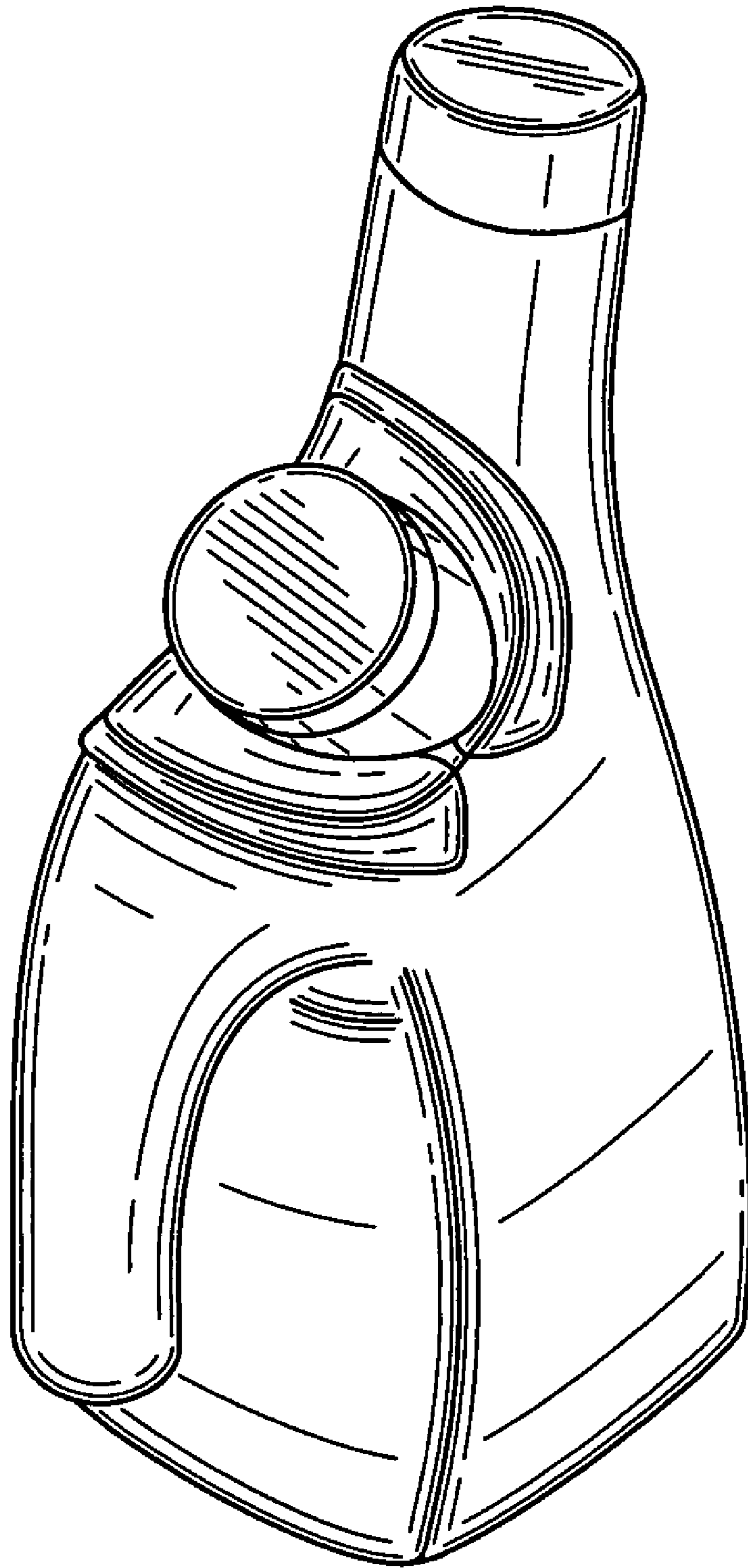


FIG. 8

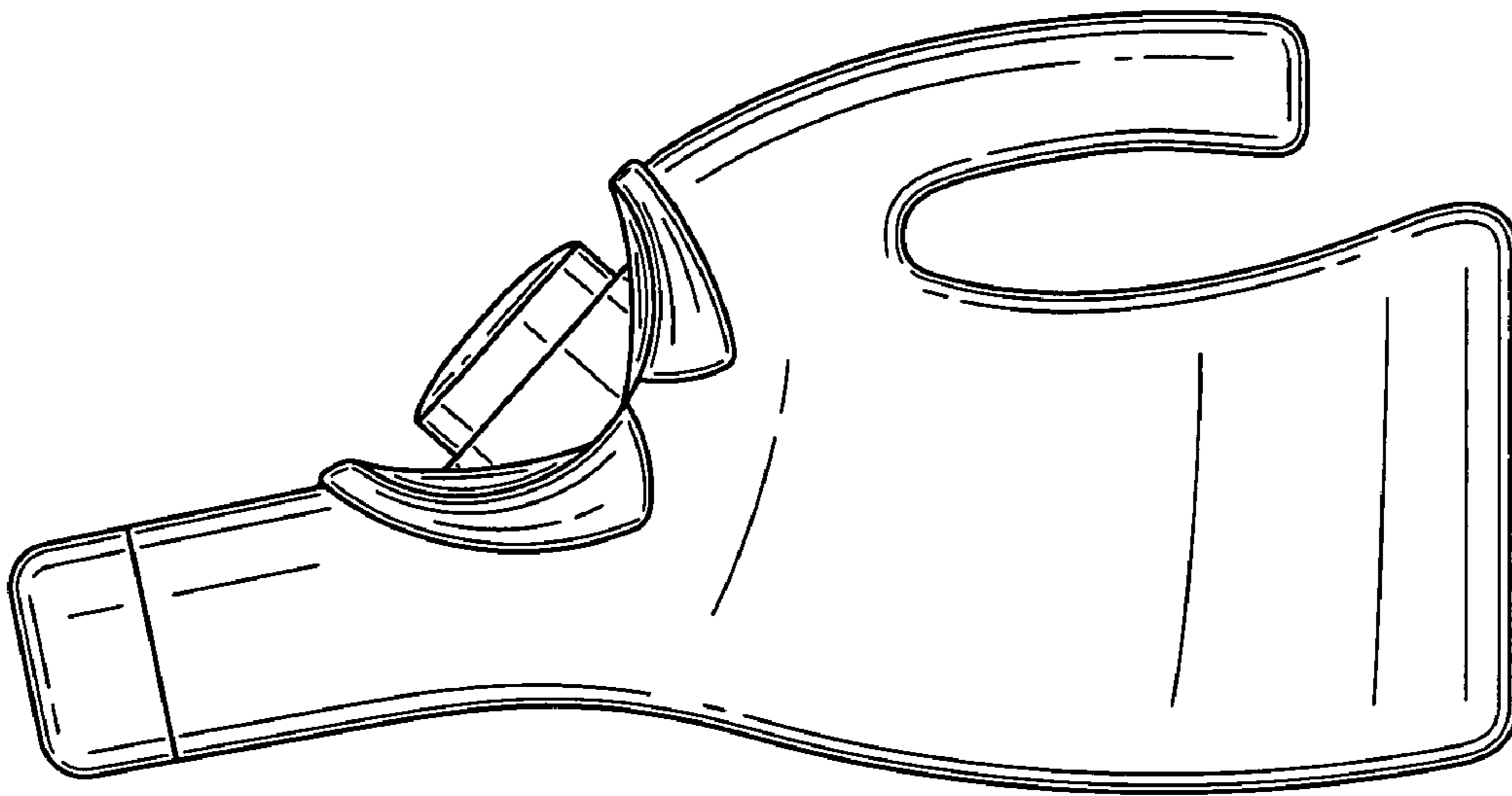


FIG. 10

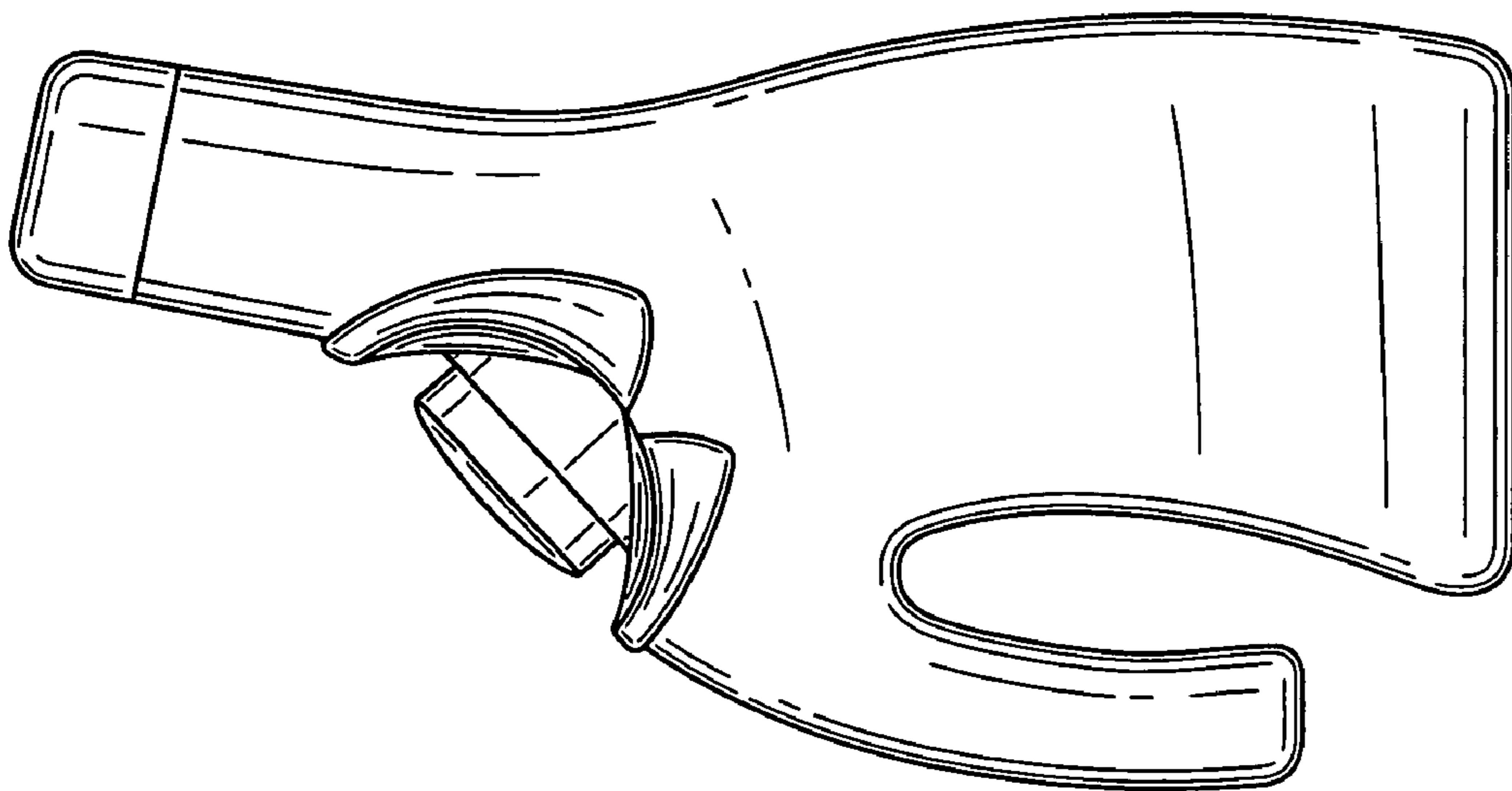


FIG. 9

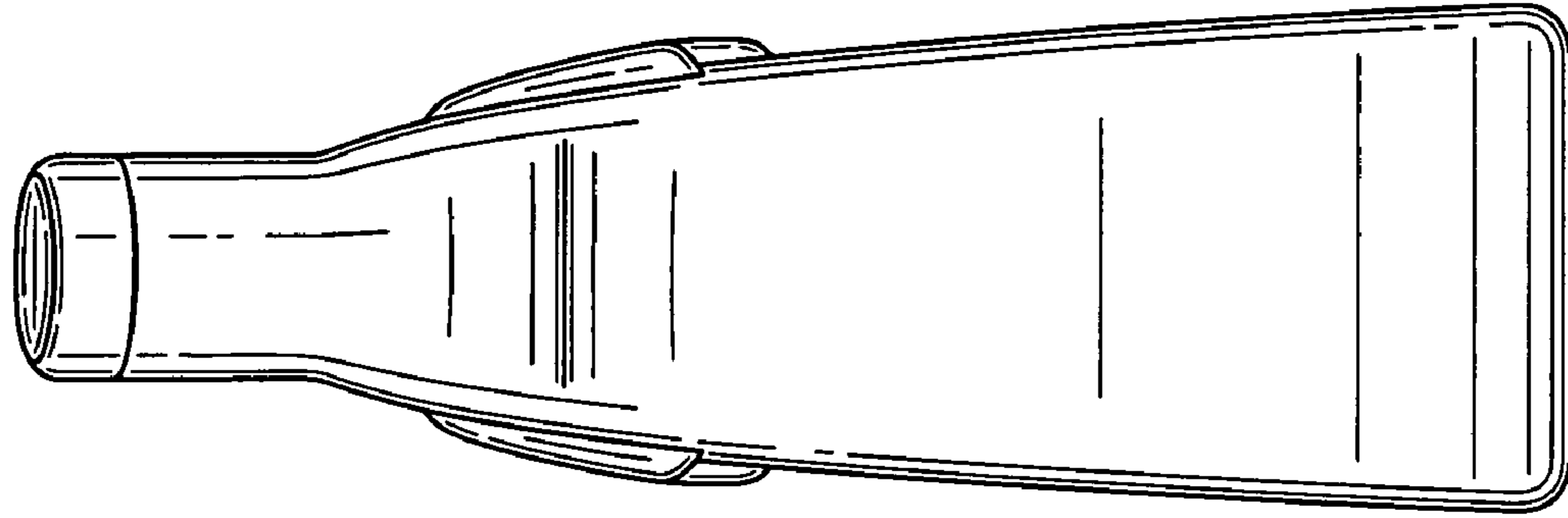


FIG. 12

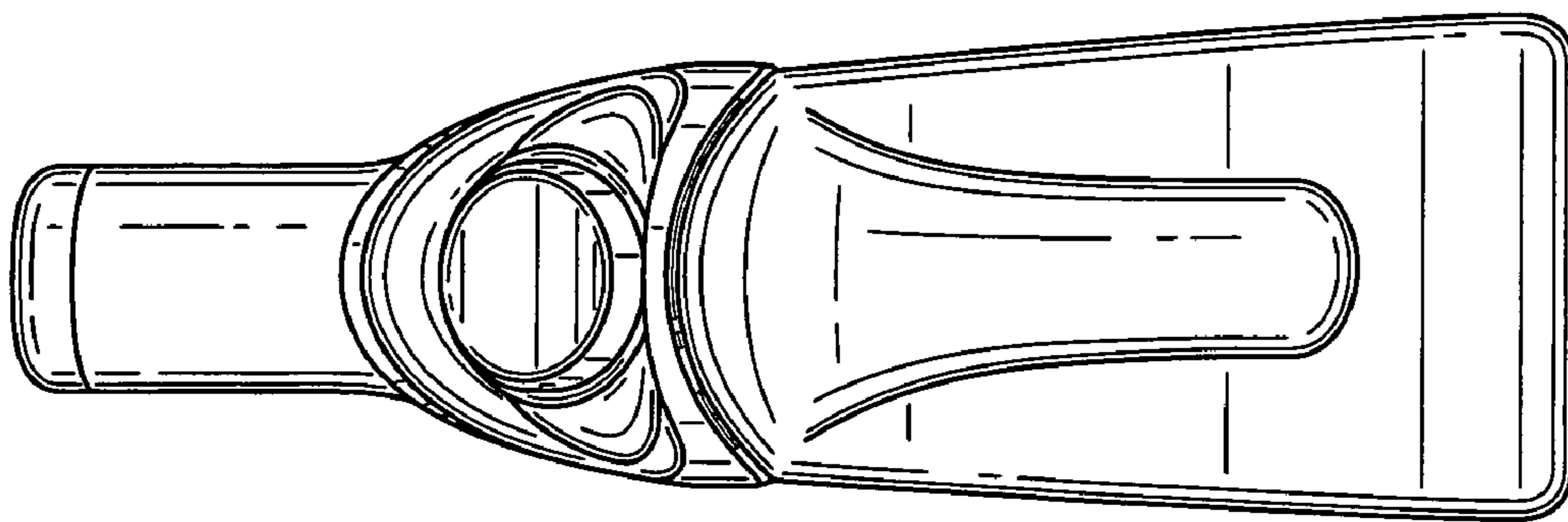


FIG. 11

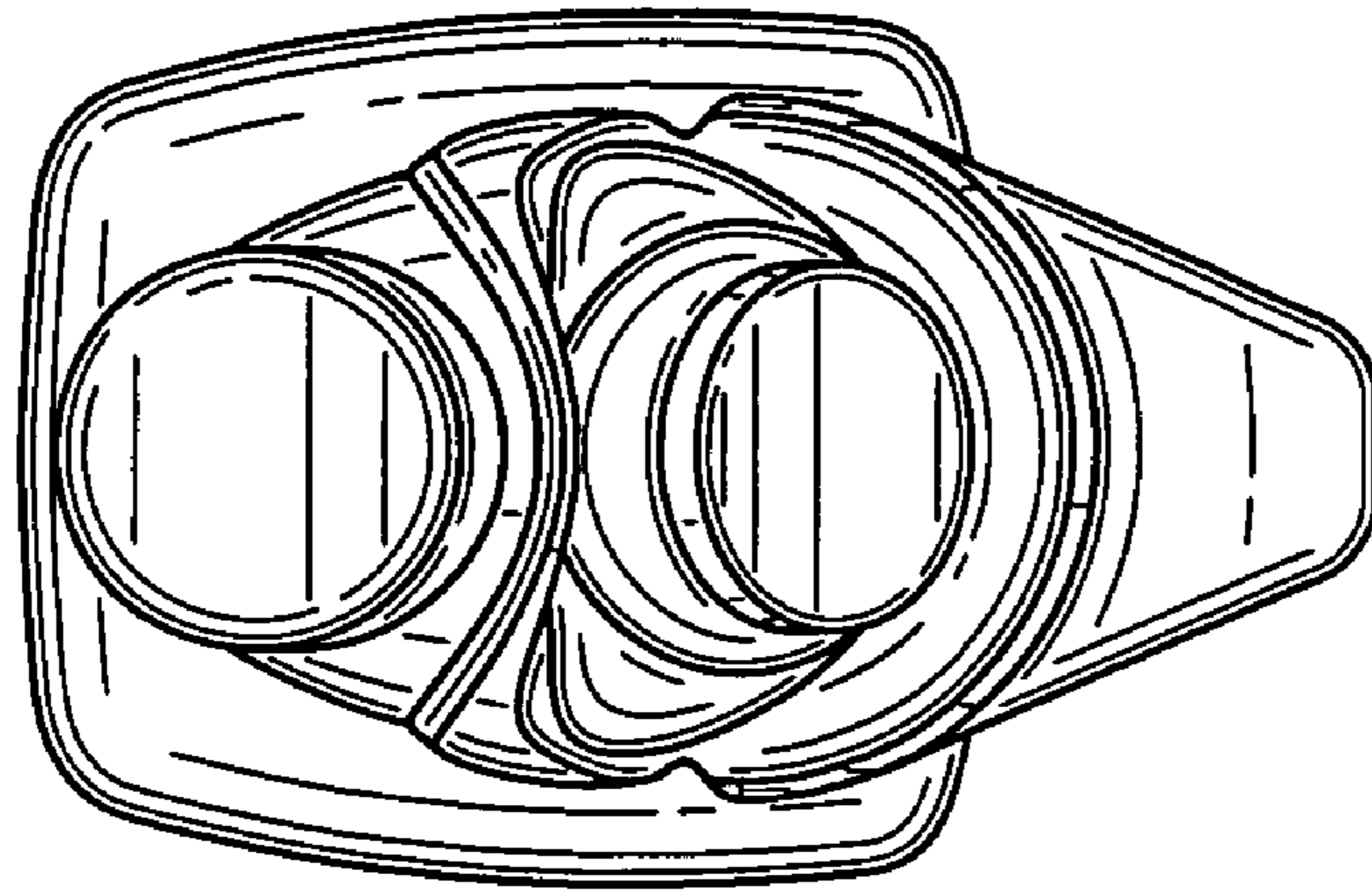


FIG. 13

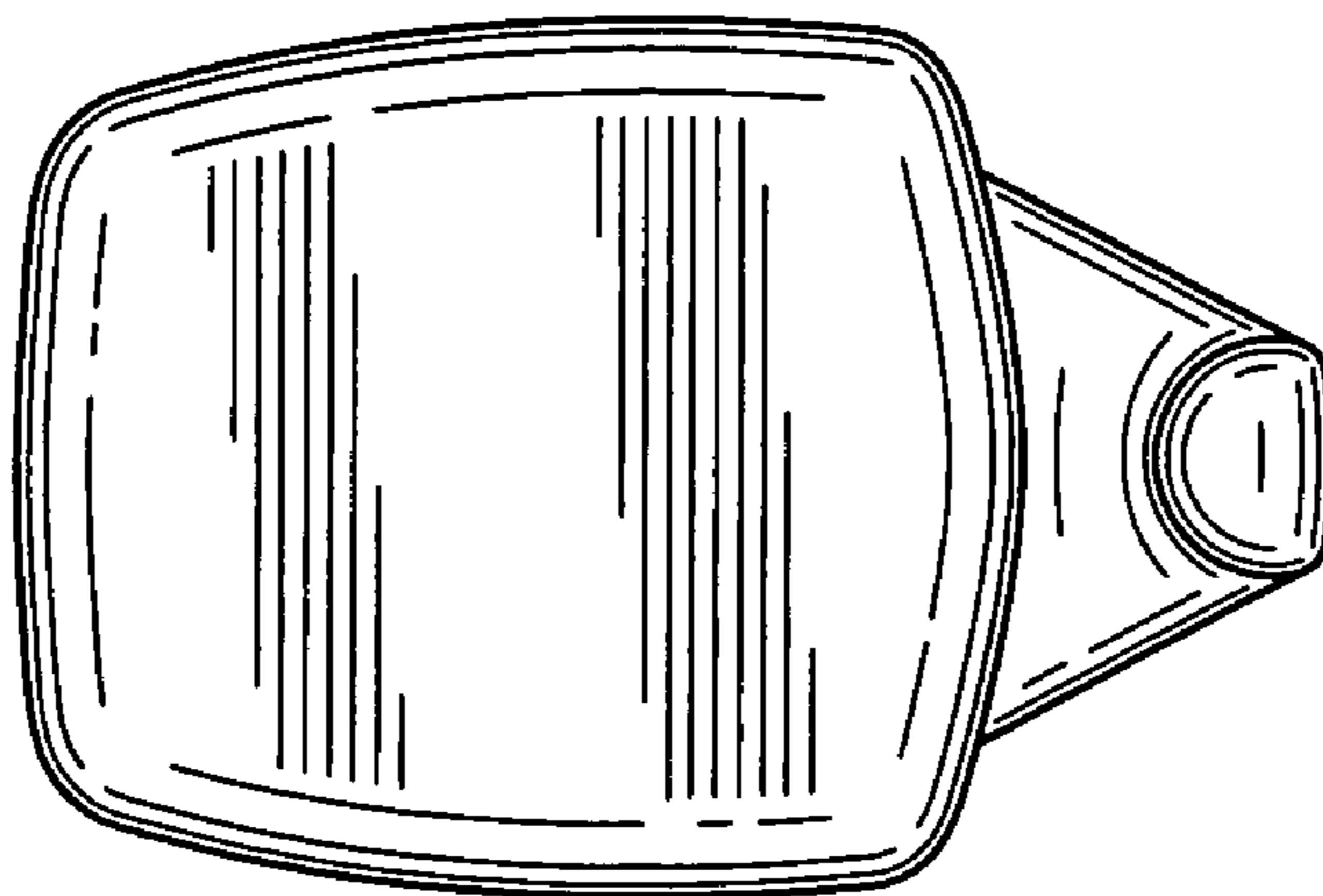


FIG. 14