



US00D574713S

(12) **United States Design Patent**
Althoff et al.

(10) **Patent No.:** **US D574,713 S**
(45) **Date of Patent:** **** Aug. 12, 2008**

- (54) **BOTTLE FOR COSMETICS**
- (75) Inventors: **Benedikt Althoff**, Berlin (DE); **Harry Zwergel**, Berlin (DE)
- (73) Assignee: **Geka Brush GmbH**, Bechhofen (DE)
- (**) Term: **14 Years**
- (21) Appl. No.: **29/253,735**
- (22) Filed: **Feb. 13, 2006**
- (30) **Foreign Application Priority Data**
Aug. 18, 2005 (EP) 388541
- (51) **LOC (8) Cl.** **09-01**
- (52) **U.S. Cl.** **D9/529**
- (58) **Field of Classification Search** D9/516,
D9/520, 522-523, 526, 544-545, 549, 551,
D9/571, 575, 682, 686-694; D4/116; 215/379-352;
220/660-665
See application file for complete search history.

- D444,394 S * 7/2001 Mettler D9/574
- D446,121 S * 8/2001 Maddy D9/500
- D446,129 S * 8/2001 de Giovellina D9/575
- D467,807 S * 12/2002 Bakic D9/521
- D509,434 S * 9/2005 Haruta D9/504
- D542,149 S * 5/2007 Boucher D9/686

OTHER PUBLICATIONS

“Wanda” Bottle, ABA Packaging Corporation Catalog, ABA Packaging Corp., Holtsville, NY, 2004, p. 31.*

* cited by examiner

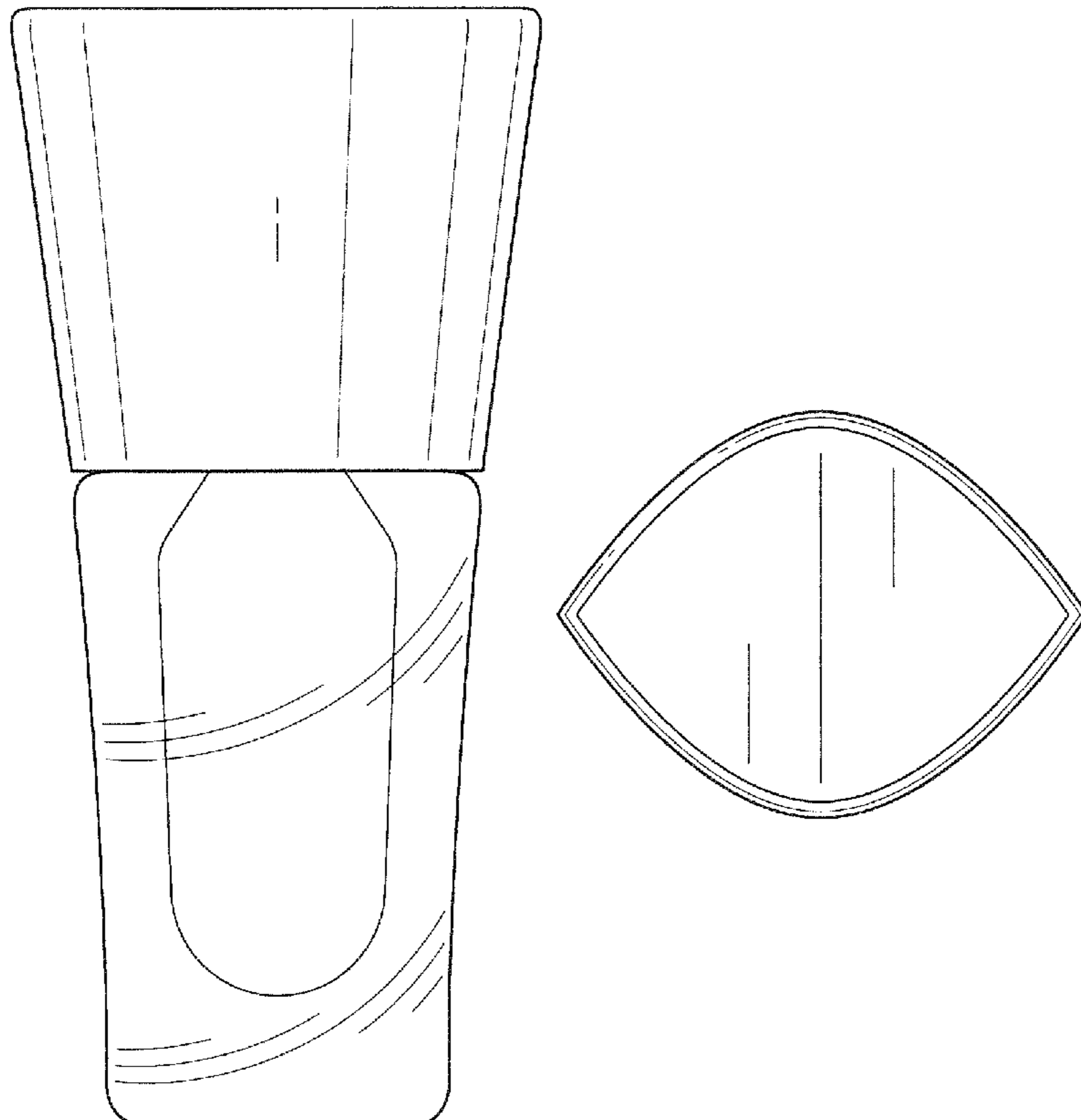
Primary Examiner—Ian Simmons
Assistant Examiner—Dana L Sipos
(74) *Attorney, Agent, or Firm*—Browdy and Neimark

- (56) **References Cited**
U.S. PATENT DOCUMENTS
D395,606 S * 6/1998 Tacconelli D9/574
D414,423 S * 9/1999 Lerolle D9/529
D423,369 S * 4/2000 Tacconelli D9/544
D430,035 S * 8/2000 Heeter et al. D9/529

(57) **CLAIM**
The ornamental design for a bottle for cosmetics, as shown and described.

DESCRIPTION
FIG. 1 is a perspective view from the top, left side, of a bottle for cosmetics, showing our new design;
FIG. 2 is a front elevational view thereof;
FIG. 3 is a side elevational view thereof; and,
FIG. 4 is a top plan view thereof.

1 Claim, 4 Drawing Sheets



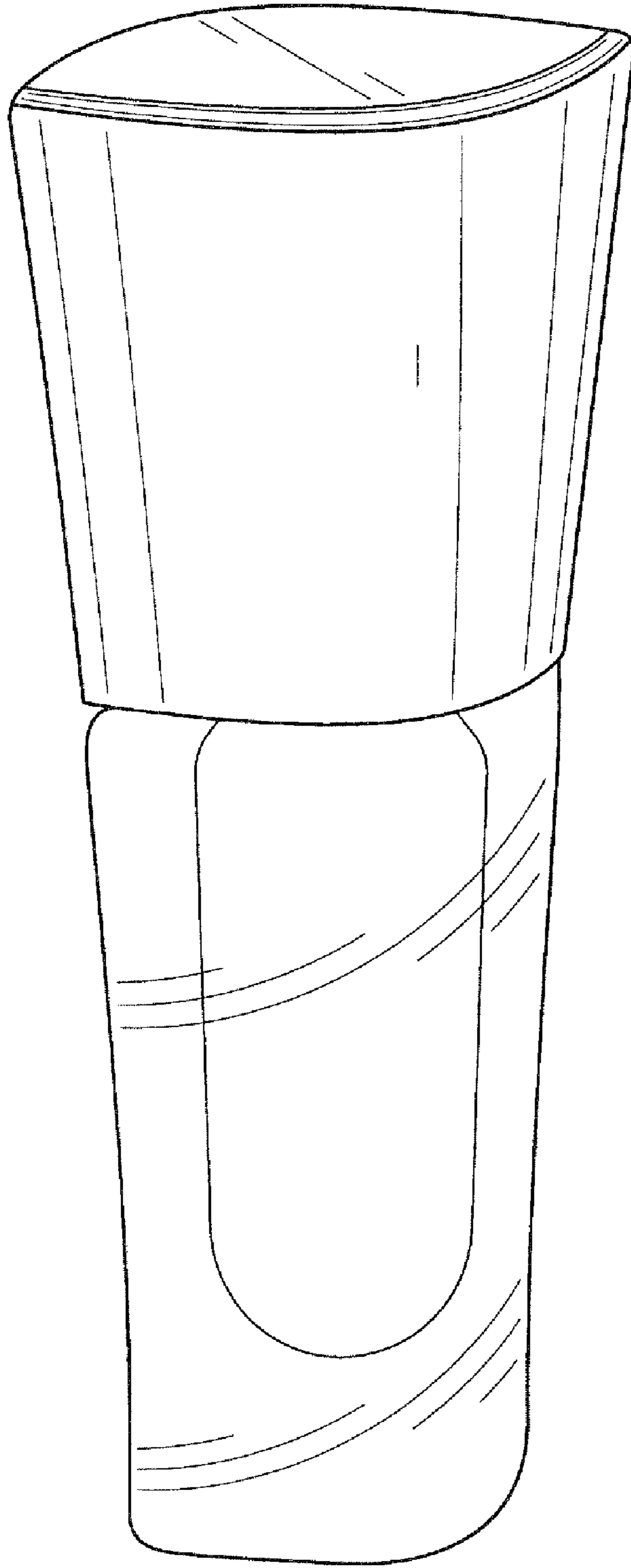


FIG. 1

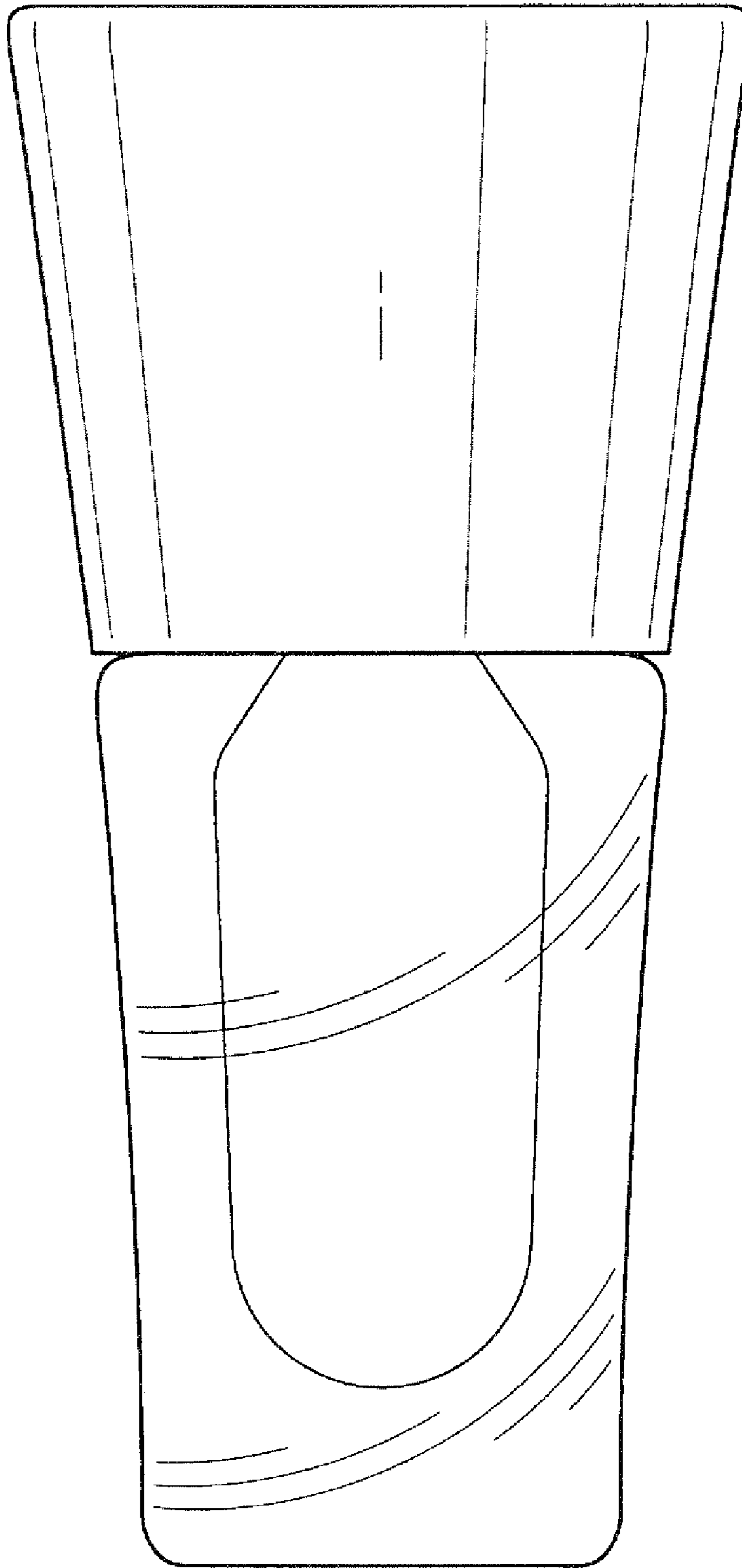


FIG. 2

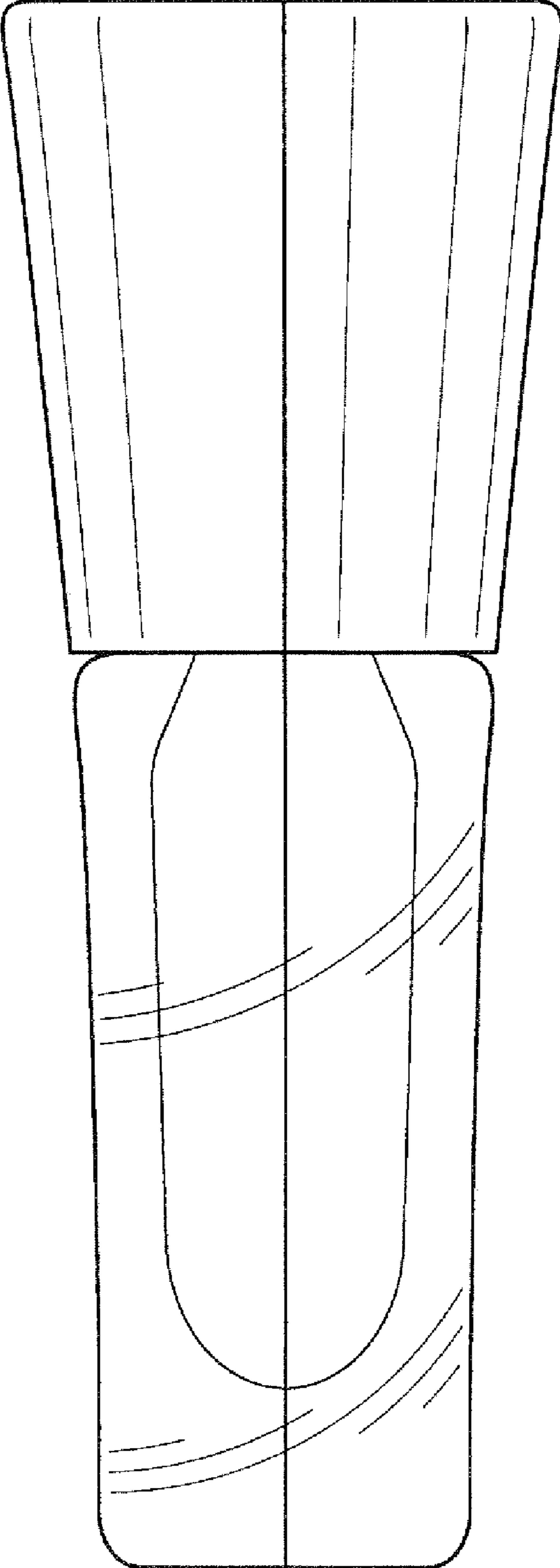


FIG. 3

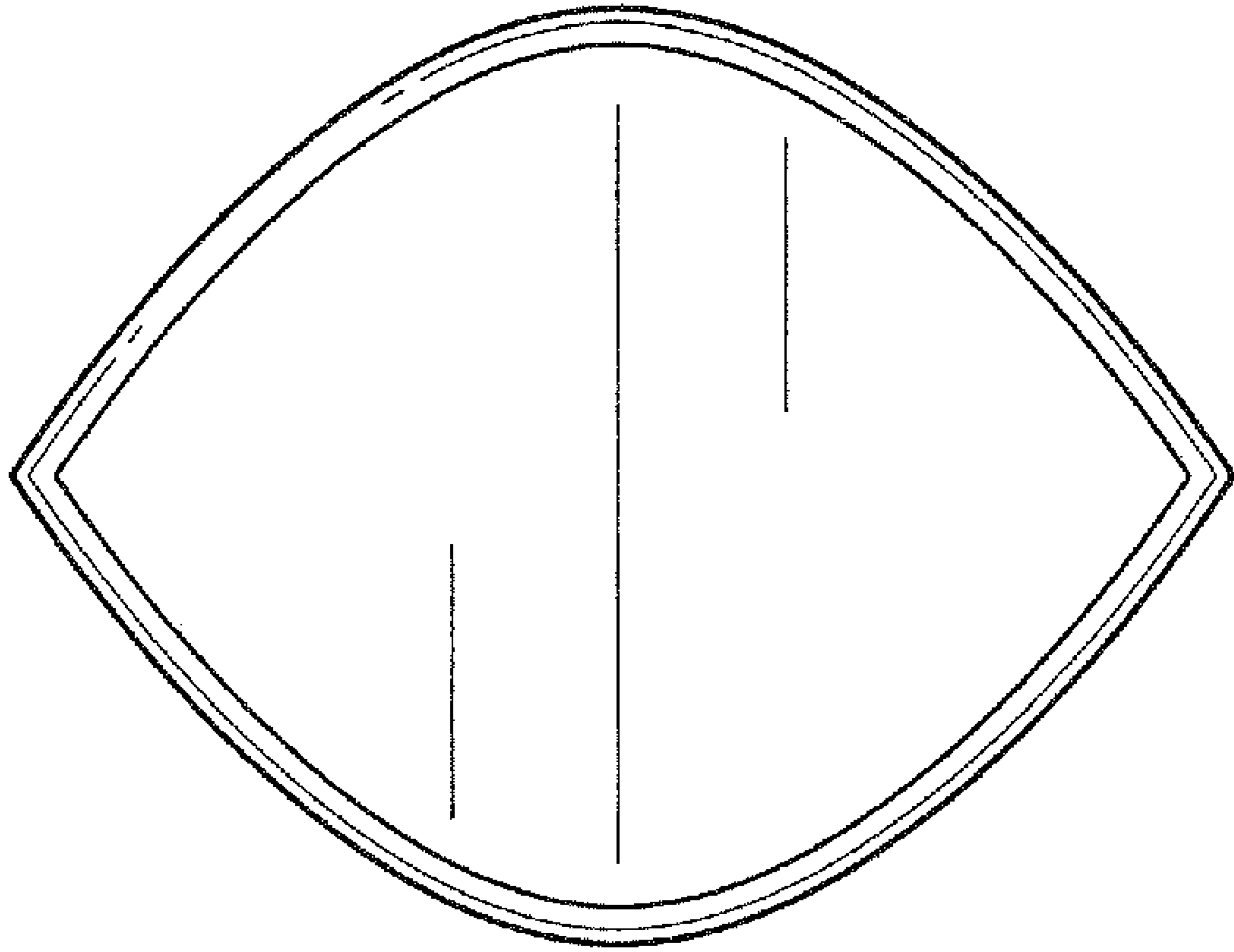


FIG. 4