

US00D574709S

(12) **United States Design Patent**  
**Crotts et al.**

(10) **Patent No.:** **US D574,709 S**  
(45) **Date of Patent:** **\*\* Aug. 12, 2008**

(54) **CONTAINER**

(75) Inventors: **Deborah Bel Crotts**, Winston-Salem, NC (US); **Carlos Lindo**, Lewisville, NC (US)

(73) Assignee: **R.J. Reynolds Tobacco Company**, Winston-Salem, NC (US)

(\*\*) Term: **14 Years**

(21) Appl. No.: **29/283,012**

(22) Filed: **Aug. 3, 2007**

(51) **LOC (8) Cl.** ..... **09-01**

(52) **U.S. Cl.** ..... **D9/504**; D9/500; D9/414; D9/420; D28/91

(58) **Field of Classification Search** ..... D9/500, D9/502-505, 516, 529, 549, 558, 682, 686, D9/688-692, 905, 414, 420, 422-423; D3/203.2, D3/203.3, 205, 247, 903; D28/7-8, 76, 78, D28/82, 91; 215/379-385; 220/660, 662, 220/669, 675

See application file for complete search history.

(56) **References Cited**

**U.S. PATENT DOCUMENTS**

D91,437 S *	1/1934	Nielson	.....	D9/500
2,449,196 A *	9/1948	Bent	.....	229/125.16
D171,436 S *	2/1954	Breen	.....	D17/24
4,162,010 A *	7/1979	Hovsepian	.....	206/229
D436,233 S *	1/2001	Faillant-Dumas	.....	D28/91
D460,692 S *	7/2002	Cumberbatch	.....	D9/500
D461,934 S *	8/2002	Colla	.....	D28/91
D483,527 S *	12/2003	Ashiwa et al.	.....	D28/91
D494,474 S	8/2004	Houk et al.		
D499,025 S	11/2004	Houk et al.		
D510,524 S	10/2005	Houk et al.		
D512,636 S	12/2005	Pace et al.		

D513,386 S	1/2006	Pace et al.		
D514,936 S	2/2006	Pace et al.		
D515,426 S	2/2006	Pace et al.		
D515,429 S	2/2006	Pace		
D515,439 S	2/2006	Pace		
D515,928 S	2/2006	Pace		
D523,752 S	6/2006	Bried et al.		
D531,036 S	10/2006	Bried et al.		
D541,176 S	4/2007	Bried		
D560,495 S *	1/2008	Mettler et al.	.....	D9/504

**FOREIGN PATENT DOCUMENTS**

WO	WO 2006/034450 A1	3/2006
WO	WO 2007/017761 A2	2/2007

\* cited by examiner

*Primary Examiner*—Ian Simmons

*Assistant Examiner*—Dana L Sipos

(74) *Attorney, Agent, or Firm*—Brinks Hofer Gilson & Lione

(57) **CLAIM**

The ornamental design for a container, as shown and described.

**DESCRIPTION**

FIG. 1 is a top, front, right side perspective view of a container showing our new design;

FIG. 2 is a top plan view thereof;

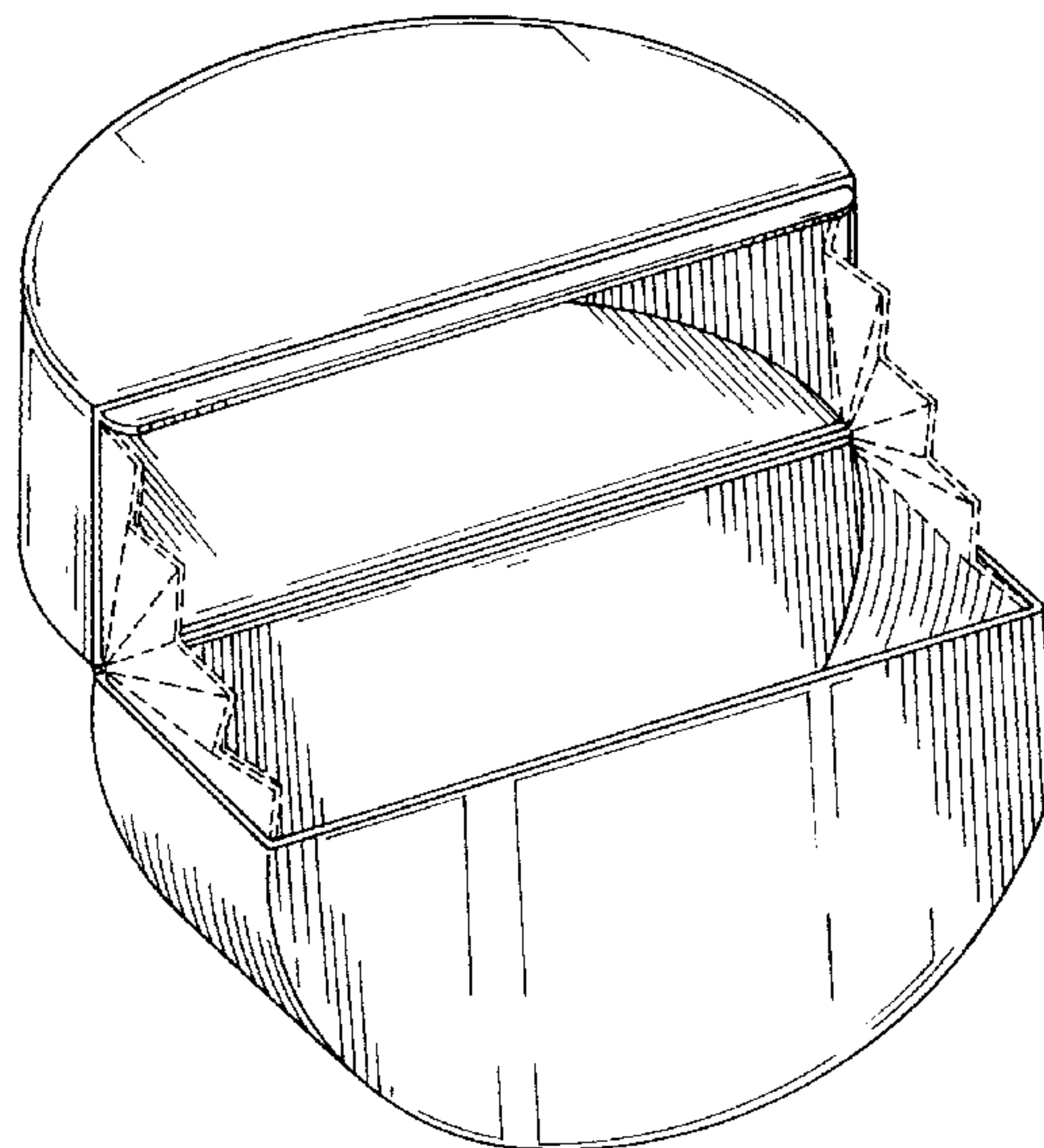
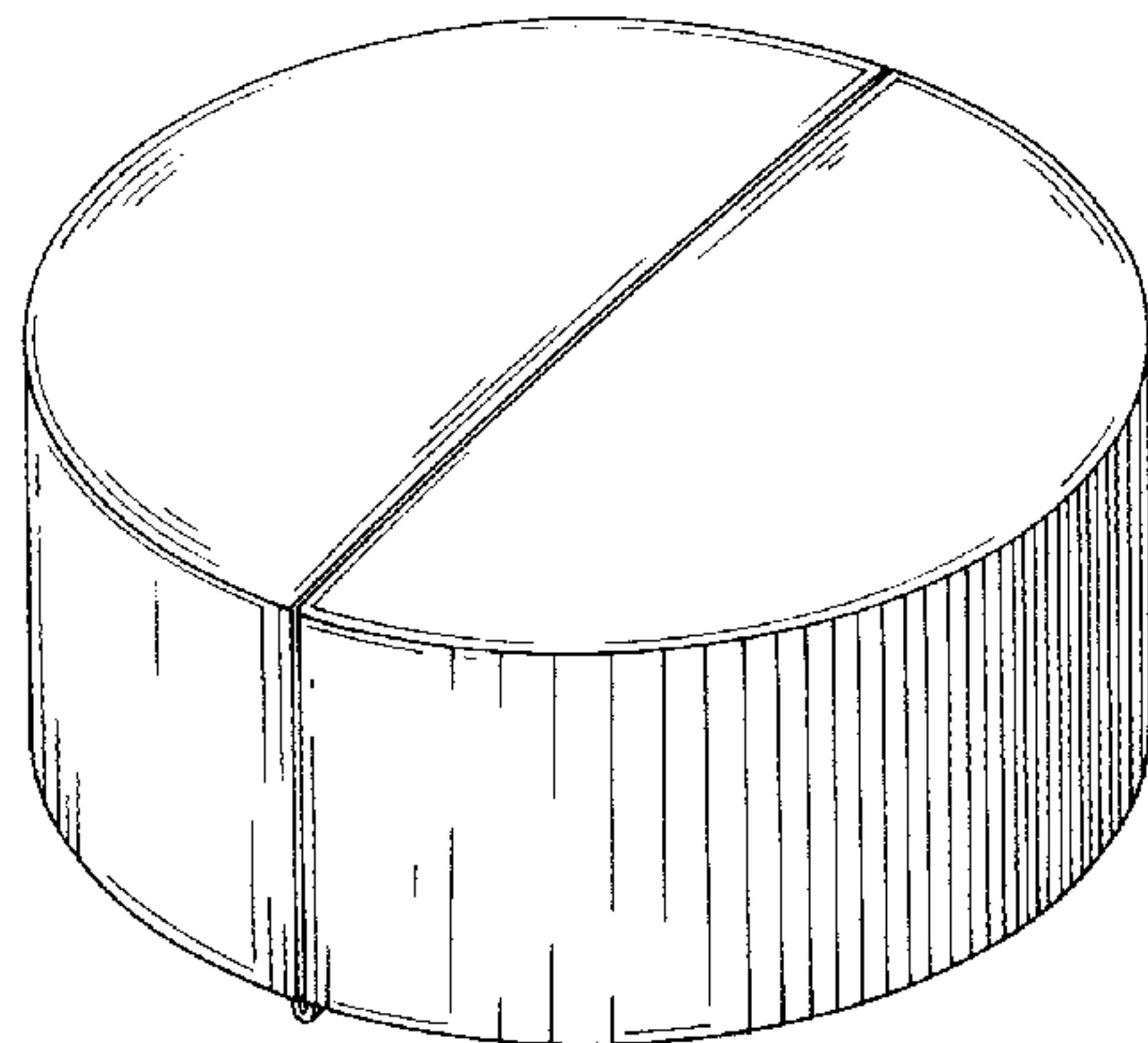
FIG. 3 is a bottom plan view thereof;

FIG. 4 is a front elevation view thereof, the rear elevation view being identical;

FIG. 5 is a right side elevation view thereof, the left side elevation view being identical; and,

FIG. 6 is a top, front, right side perspective view thereof, shown in open position.

**1 Claim, 4 Drawing Sheets**



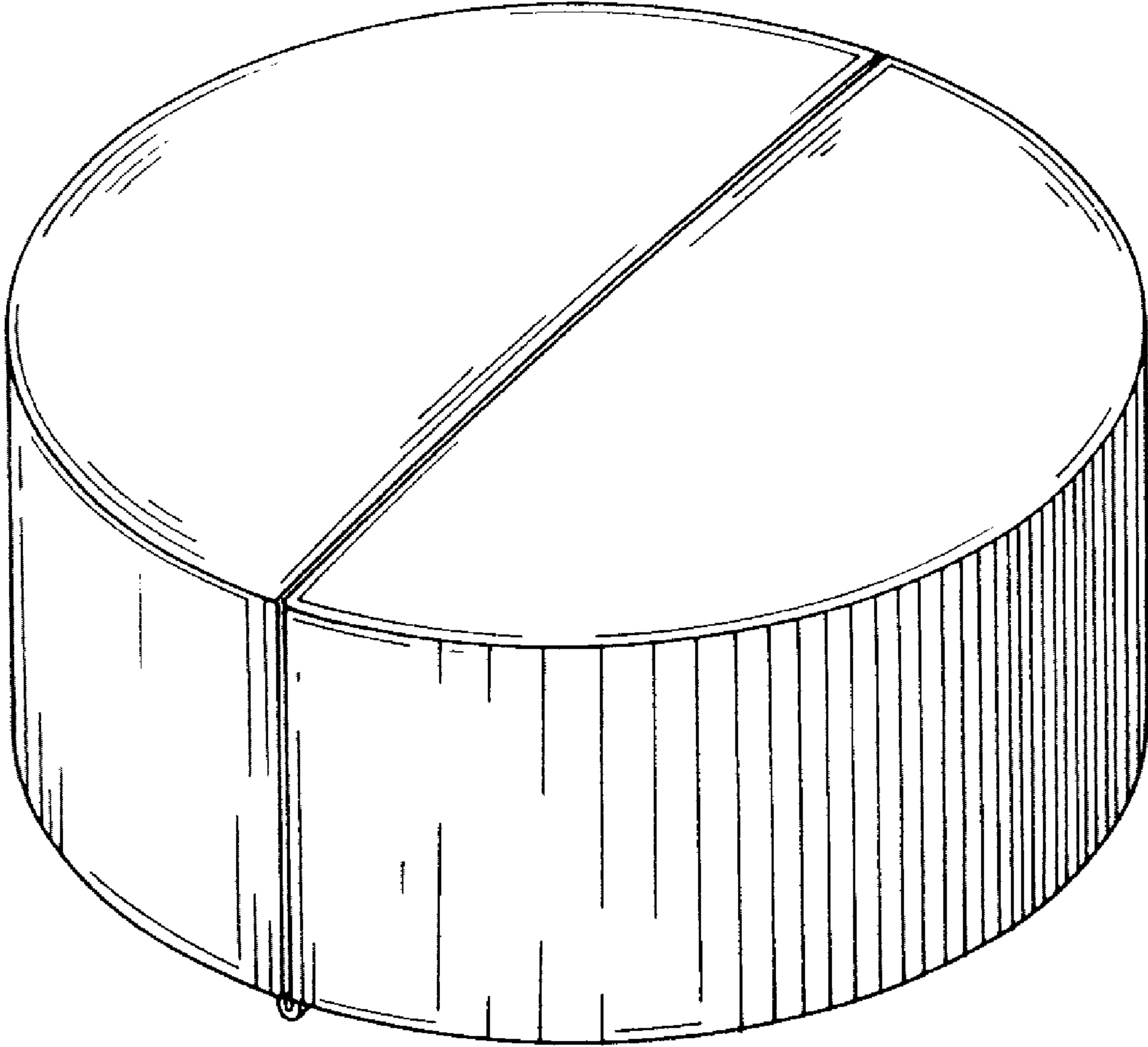


Fig. 1

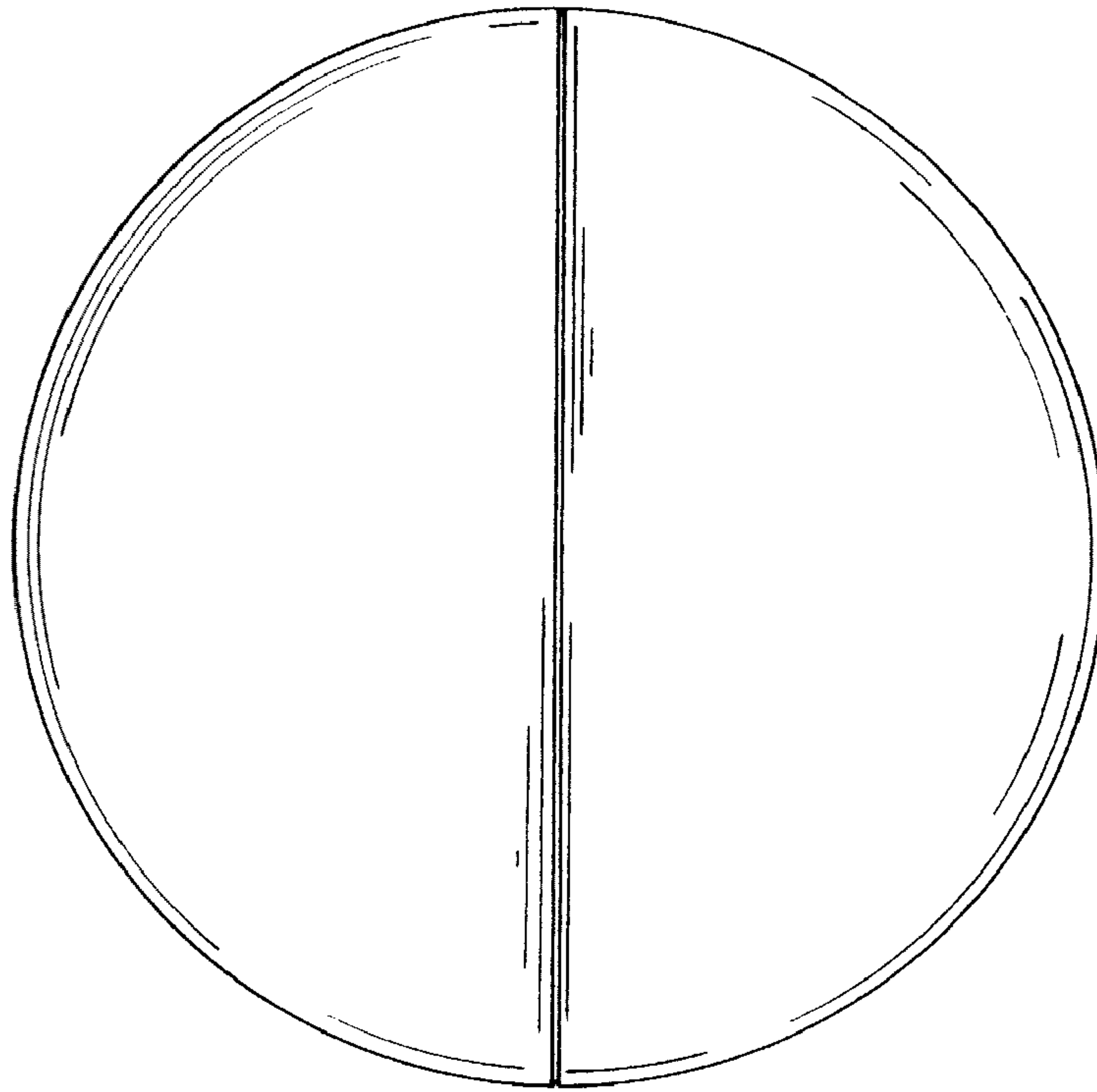


Fig. 2

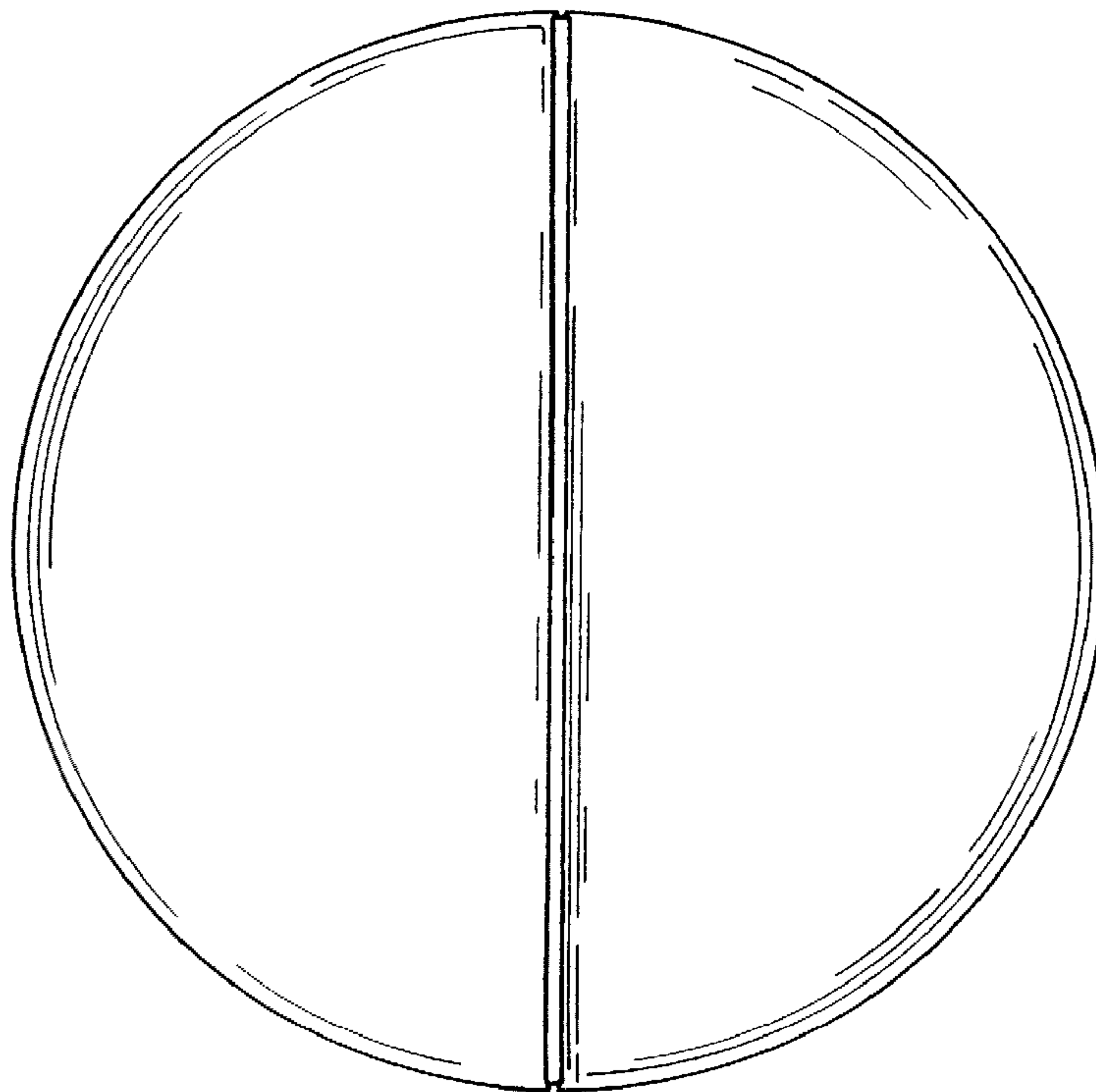


Fig. 3

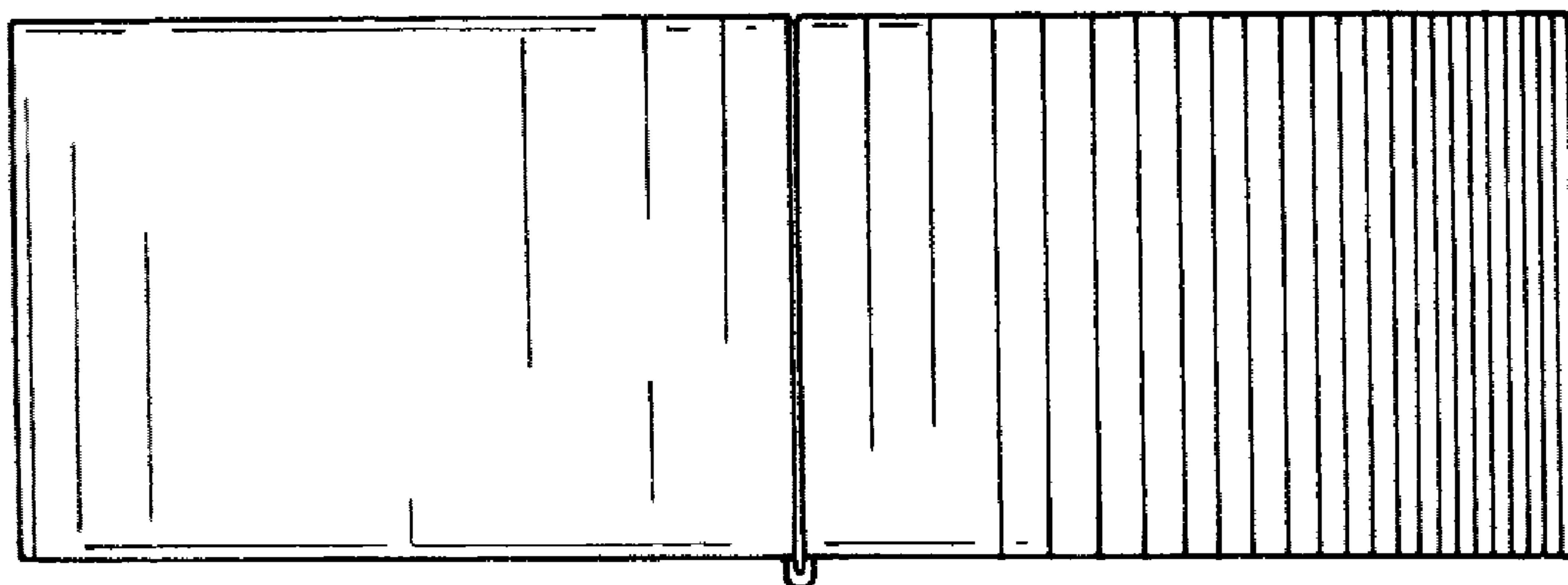


Fig. 4

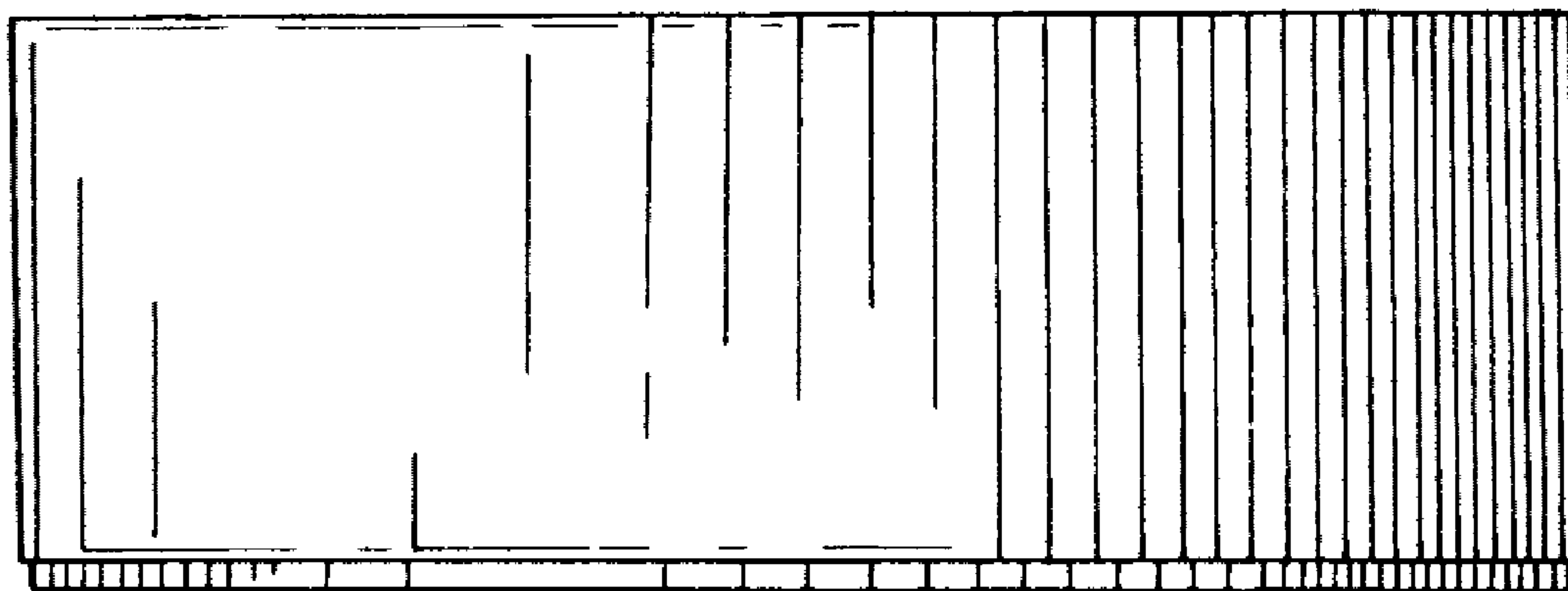


Fig. 5



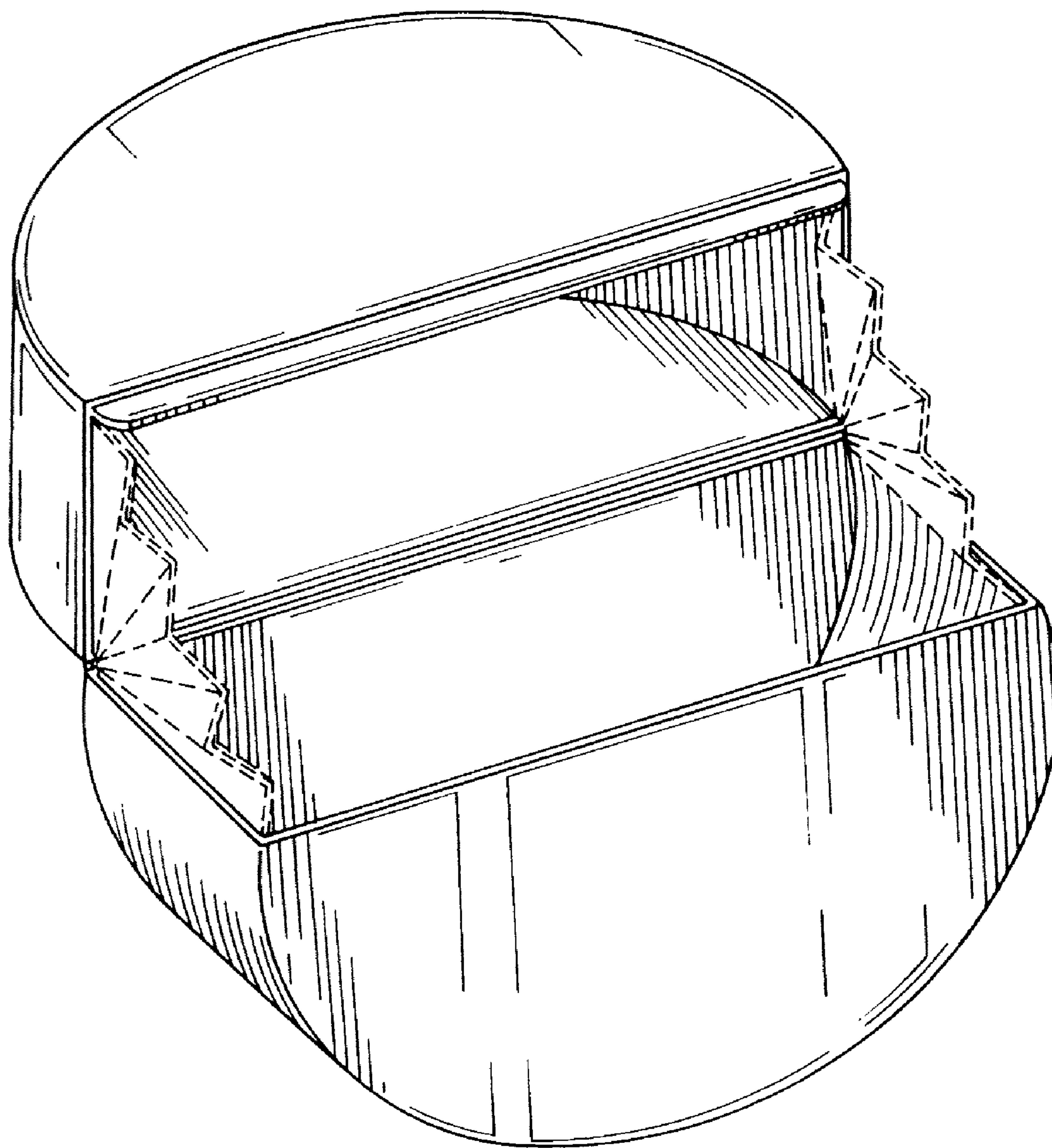


Fig. 6