

US00D574708S

(12) **United States Design Patent**
Reed et al.

(10) **Patent No.:** **US D574,708 S**

(45) **Date of Patent:** **** *Aug. 12, 2008**

(54) **CONTAINER CAP**

(75) Inventors: **David F. Reed**, Wheeling, WV (US);
Louis S. Comadena, Burr Ridge, IL
(US)

(73) Assignee: **Tecnocap, LLC**, Glen Dale, WV (US)

(**) Term: **14 Years**

(21) Appl. No.: **29/248,583**

(22) Filed: **Aug. 22, 2006**

(51) **LOC (8) Cl.** **09-07**

(52) **U.S. Cl.** **D9/453; D9/454**

(58) **Field of Classification Search** D9/690,
D9/688, 686, 569, 529, 503, 454, 453, 452,
D9/447, 436, 435, 429; 215/331, 330, 329,
215/317, 316, 272; D12/197; D7/629

See application file for complete search history.

(56) **References Cited**

U.S. PATENT DOCUMENTS

1,793,024	A	*	2/1931	Scofield	215/317
D105,723	S	*	8/1937	Wheaton	D9/453
D201,320	S	*	6/1965	Hirohama	D9/453
D266,906	S	*	11/1982	Guerette	D9/453
D304,424	S	*	11/1989	Dawson	D9/453
D315,507	S	*	3/1991	Ochs	D9/453
D318,804	S	*	8/1991	Ochs	D9/453
D359,451	S	*	6/1995	Dees	D9/443
D437,228	S	*	2/2001	Collins	D9/453

D460,357	S	*	7/2002	Kras et al.	D9/435
D471,813	S	*	3/2003	Shenkar	D9/452
D515,429	S	*	2/2006	Pace	D9/529
D518,717	S	*	4/2006	German	D9/453

OTHER PUBLICATIONS

“Tecnocap Closures—Capsule Twist / Twist Caps”, Technical specification,(undated (prior to filing date of U.S. Appl. No. 29/246,874)), 1 page.

* cited by examiner

Primary Examiner—Gary D. Watson

Assistant Examiner—Susan B Hattan

(74) *Attorney, Agent, or Firm*—Schwegman, Lundberg & Woessner, P.A.

(57) **CLAIM**

The ornamental design for a container cap, as shown and described.

DESCRIPTION

FIG. 1 is a top perspective view of a container cap, incorporating the new design.

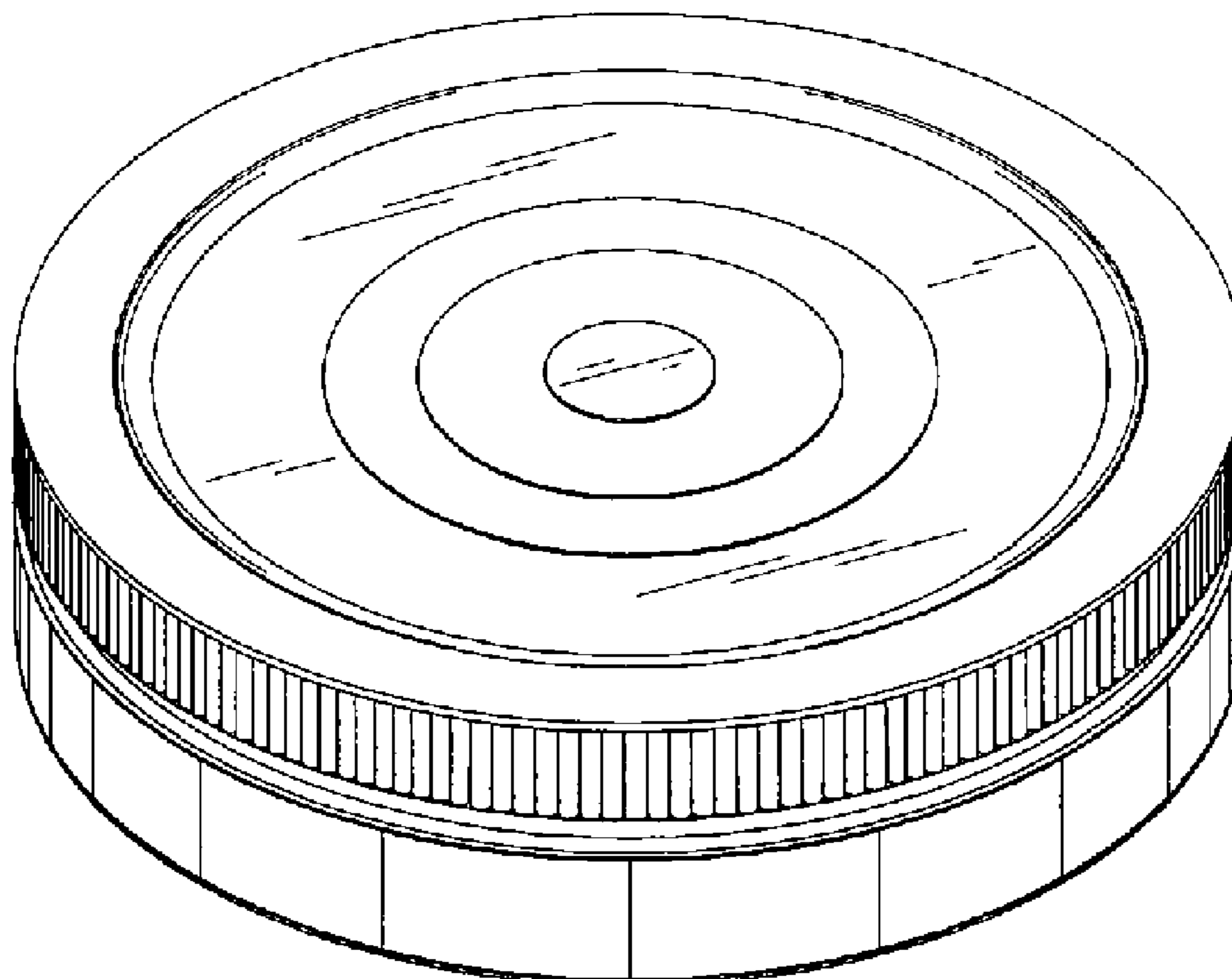
FIG. 2 is a bottom perspective view of the container cap of FIG. 1.

FIG. 3 is a bottom view of the container cap of FIG. 1.

FIG. 4 is a top view of the container cap of FIG. 1; and,

FIG. 5 is a side elevational view of the container cap of FIG. 1.

1 Claim, 2 Drawing Sheets



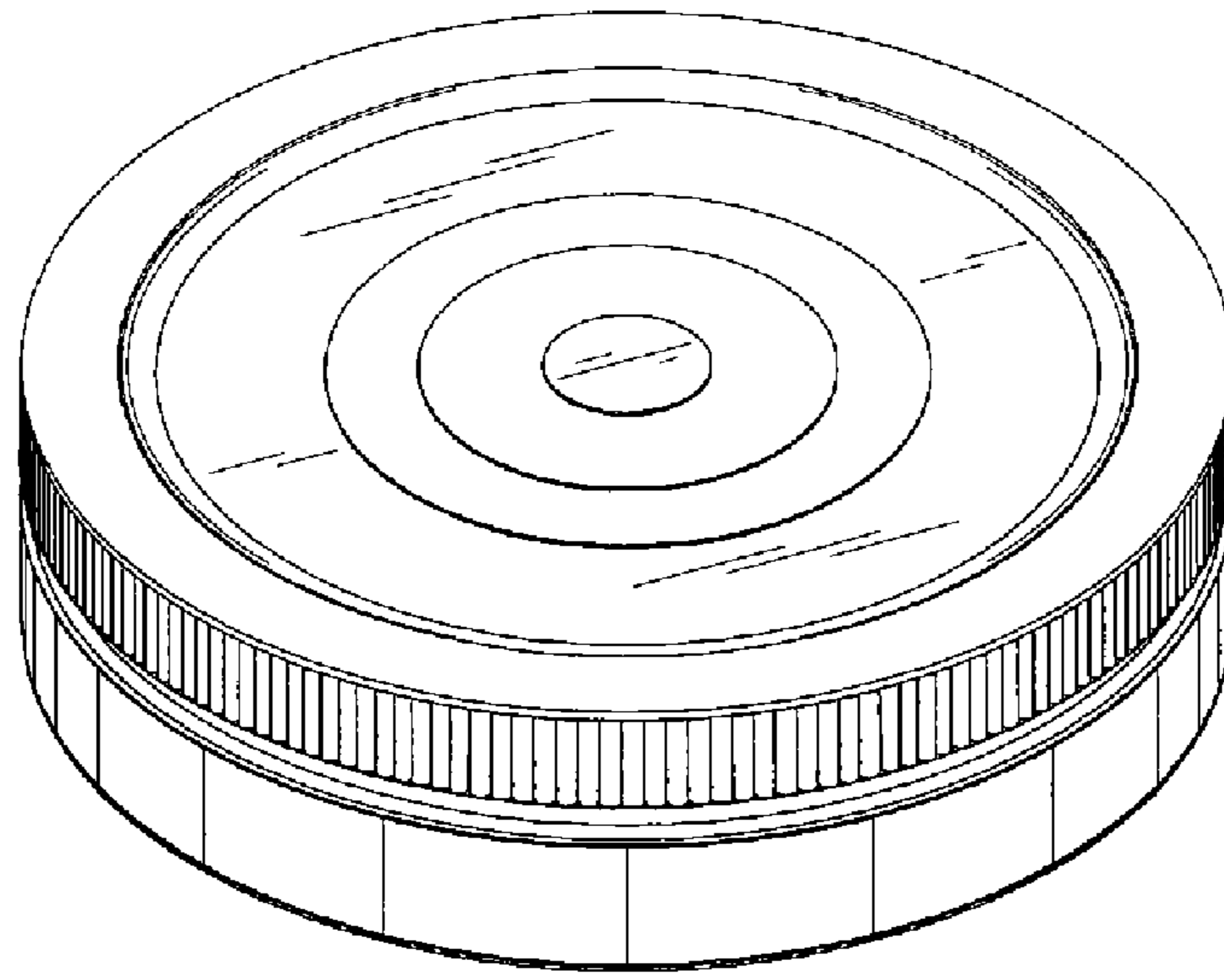


FIG. 1

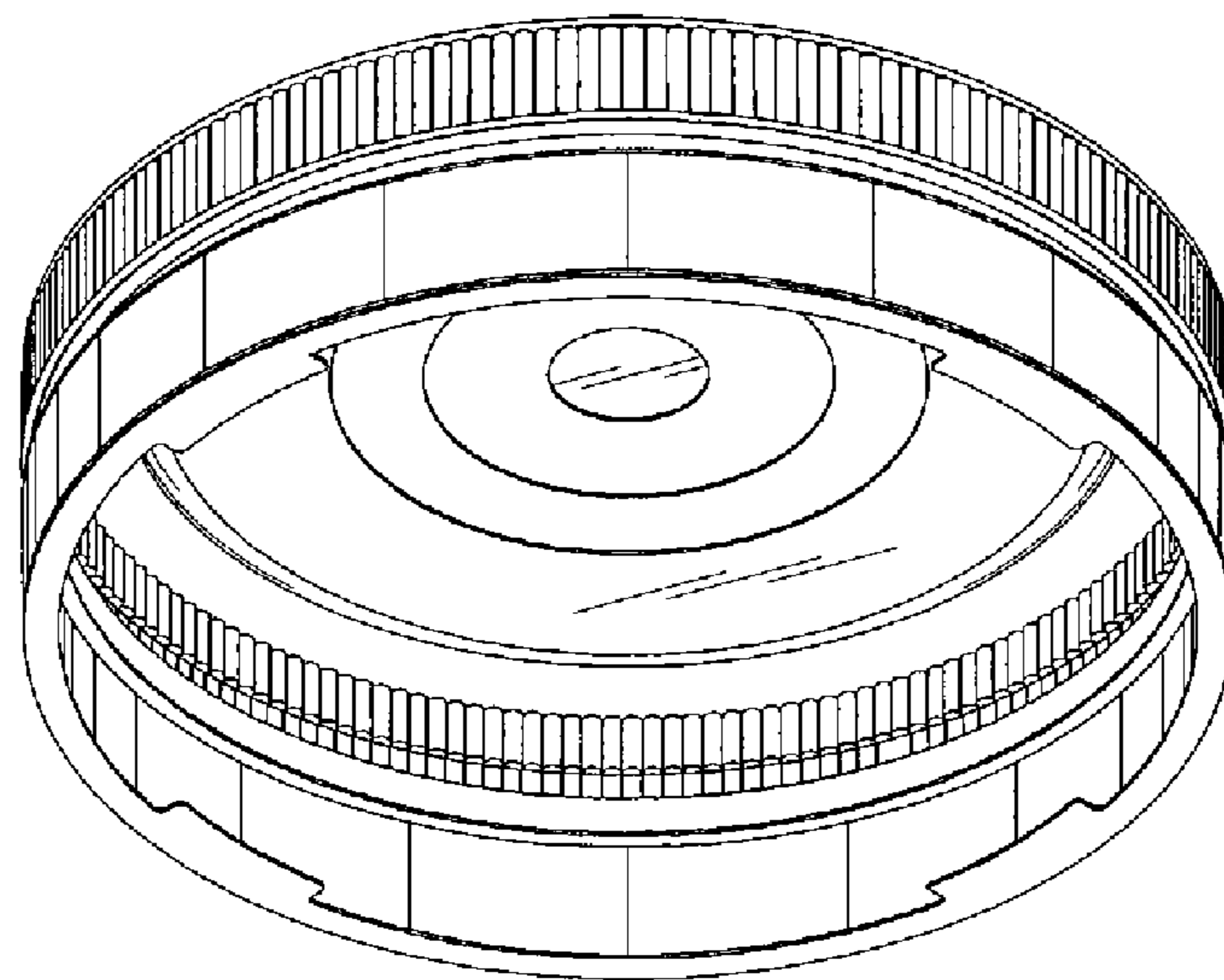


FIG. 2

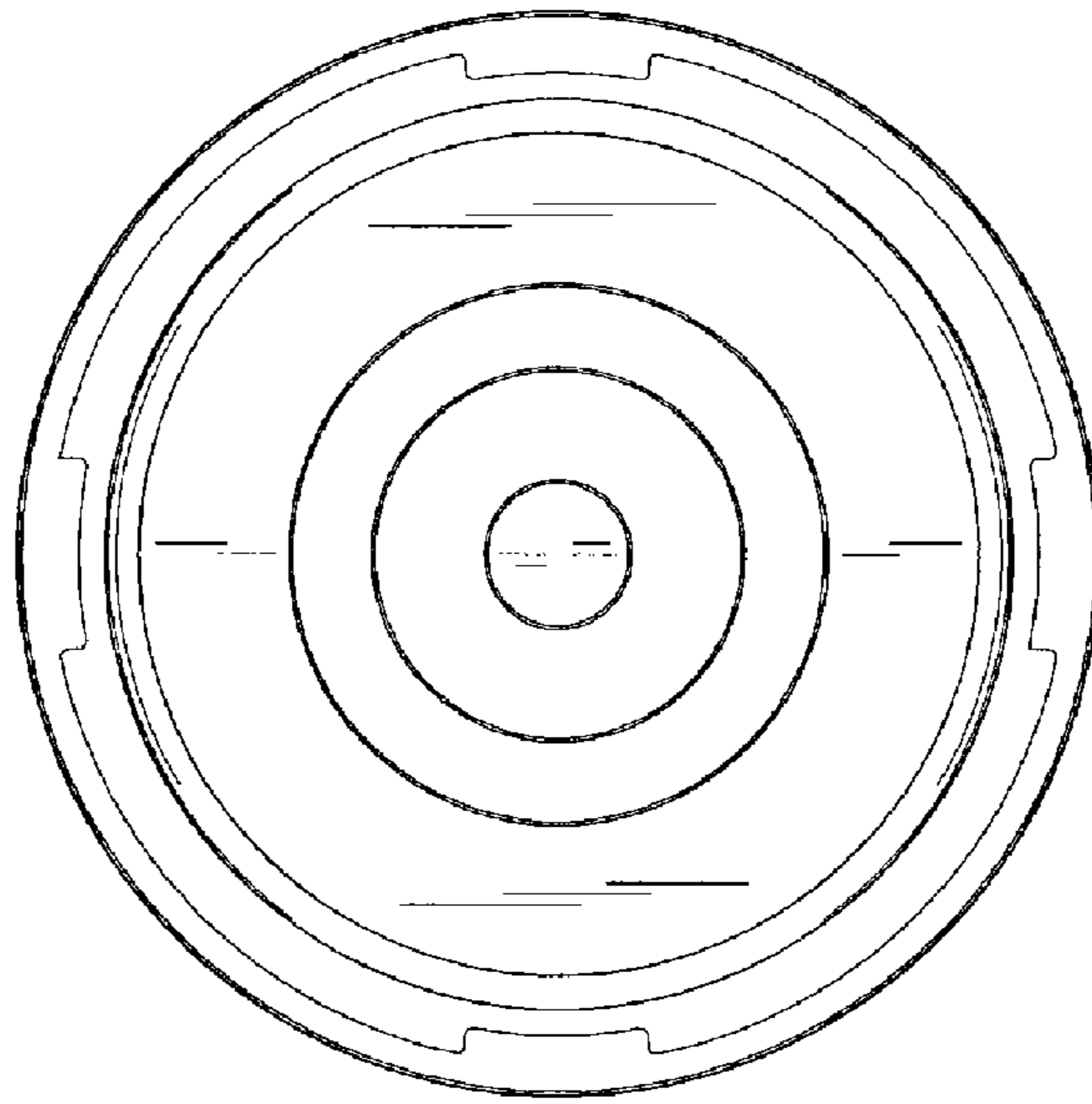


FIG. 3

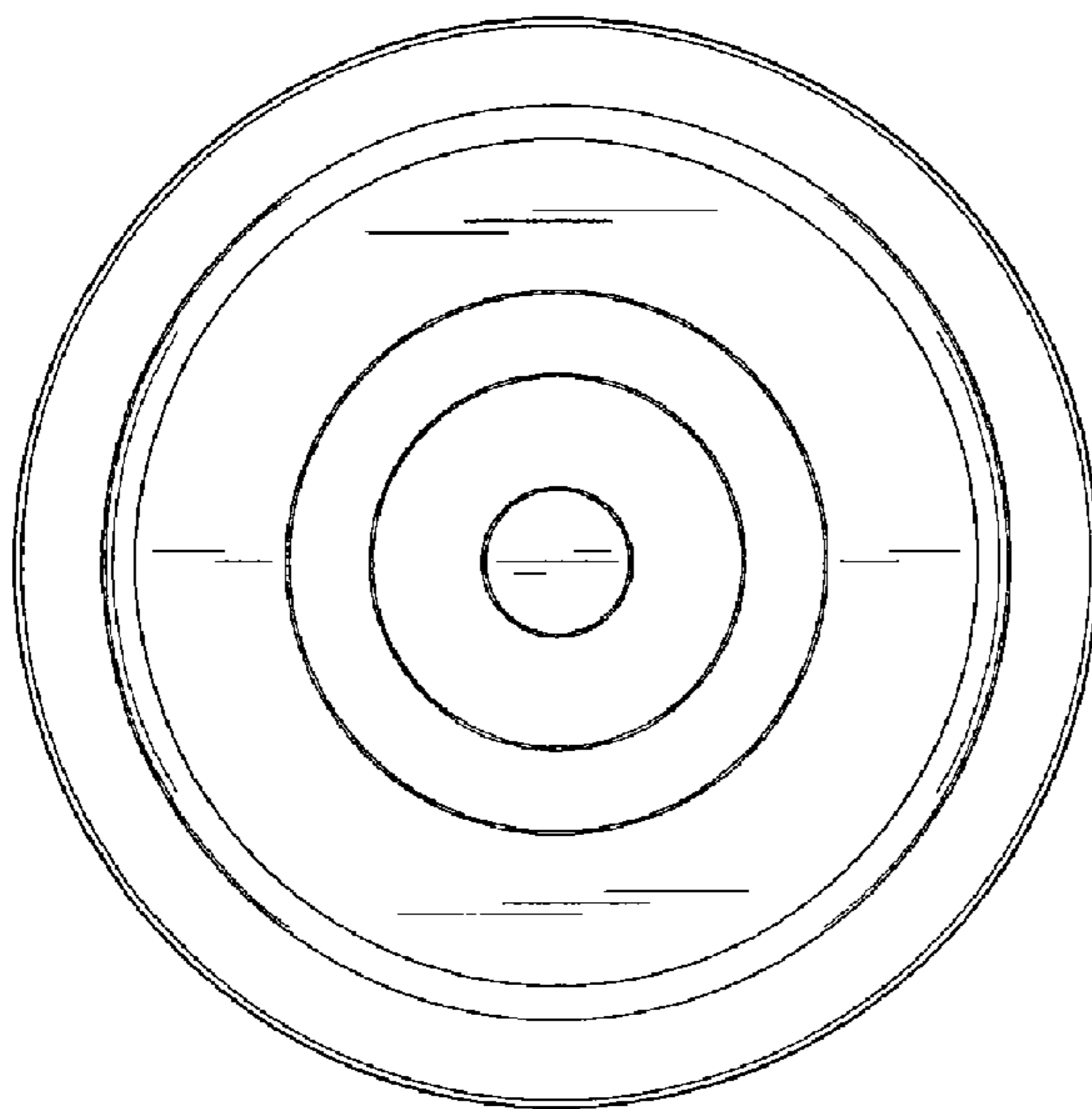


FIG. 4

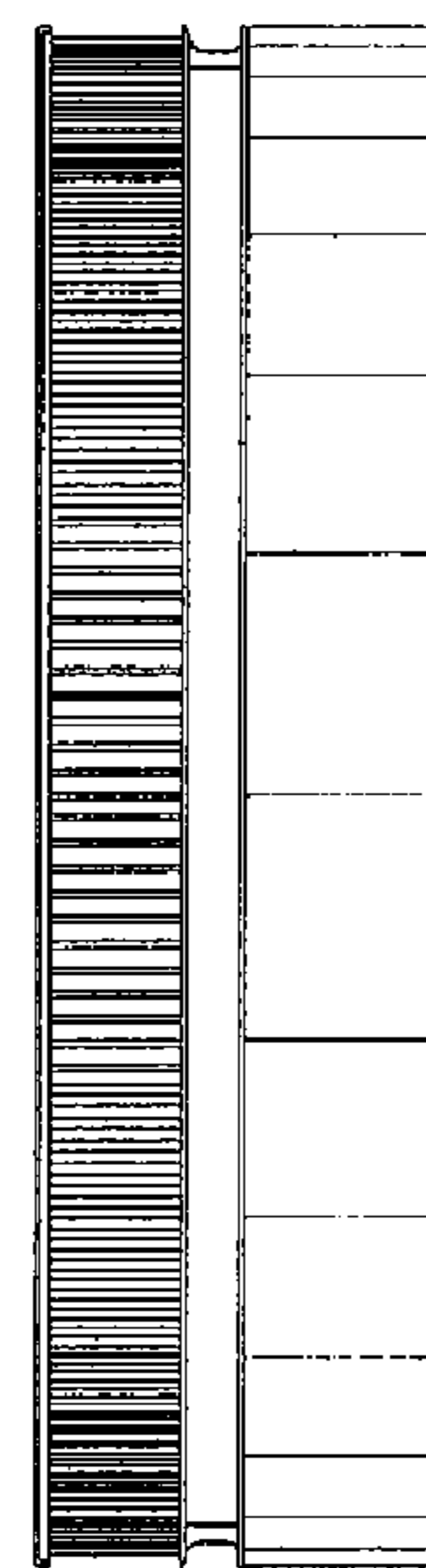


FIG. 5