



US00D574704S

(12) **United States Design Patent**
Senter

(10) **Patent No.:** **US D574,704 S**
(45) **Date of Patent:** **** Aug. 12, 2008**

(54) **BLISTER FOR A DISPLAY PACKAGE**
(75) Inventor: **L. Nicholas Senter**, Beach Park, IL (US)
(73) Assignee: **S. C. Johnson & Son, Inc.**, Racine, WI (US)
(**) Term: **14 Years**
(21) Appl. No.: **29/293,496**
(22) Filed: **Nov. 28, 2007**

5,522,505 A 6/1996 Giovannone
5,819,939 A 10/1998 Boyer
6,152,299 A 11/2000 O'Malley et al.
D448,283 S * 9/2001 Chapman D9/415
D466,803 S 12/2002 Yang
6,523,689 B2 2/2003 Mickel
D480,300 S 10/2003 Lee
D480,638 S 10/2003 Lee
D480,964 S 10/2003 Lee
6,814,238 B2 11/2004 Lee
D507,175 S * 7/2005 Moskovich et al. D9/415
D511,452 S 11/2005 Dibnah et al.
D517,909 S 3/2006 Kent et al.

(51) **LOC (8) Cl.** **09-03**
(52) **U.S. Cl.** **D9/424; D9/415; D9/425**
(58) **Field of Classification Search** D9/414-416, D9/418, 420, 424-432, 433, 443, 527-530, D9/704, 730-734, 751-757; D7/354, 360, D7/505, 540-545, 554, 565-567, 570, 574, D7/584-586, 590, 604, 629, 667; D30/123, D30/129-133; 426/115, 122, 394; 206/162, 206/170, 216, 469, 471, 497, 508, 536, 557, 206/804, 815; 220/4.21-4.22, 266, 350, 220/470, 471, 495.01, 557, 574, 618, 793; 229/117.14, 117.18, 123.1, 125.35, 220, 229/406, 362.4; D3/203.2, 304, 314, 294, D3/323; 221/250, 260, 267, 281, 299, 807
See application file for complete search history.

(Continued)

FOREIGN PATENT DOCUMENTS

AU 733784 3/1999
AU 149717 S 10/2002
AU 149718 S 10/2002

(Continued)

Primary Examiner—Robert M. Spear
Assistant Examiner—Susan E Krakower

(57) **CLAIM**

The ornamental design for a blister for a display package, as shown and described.

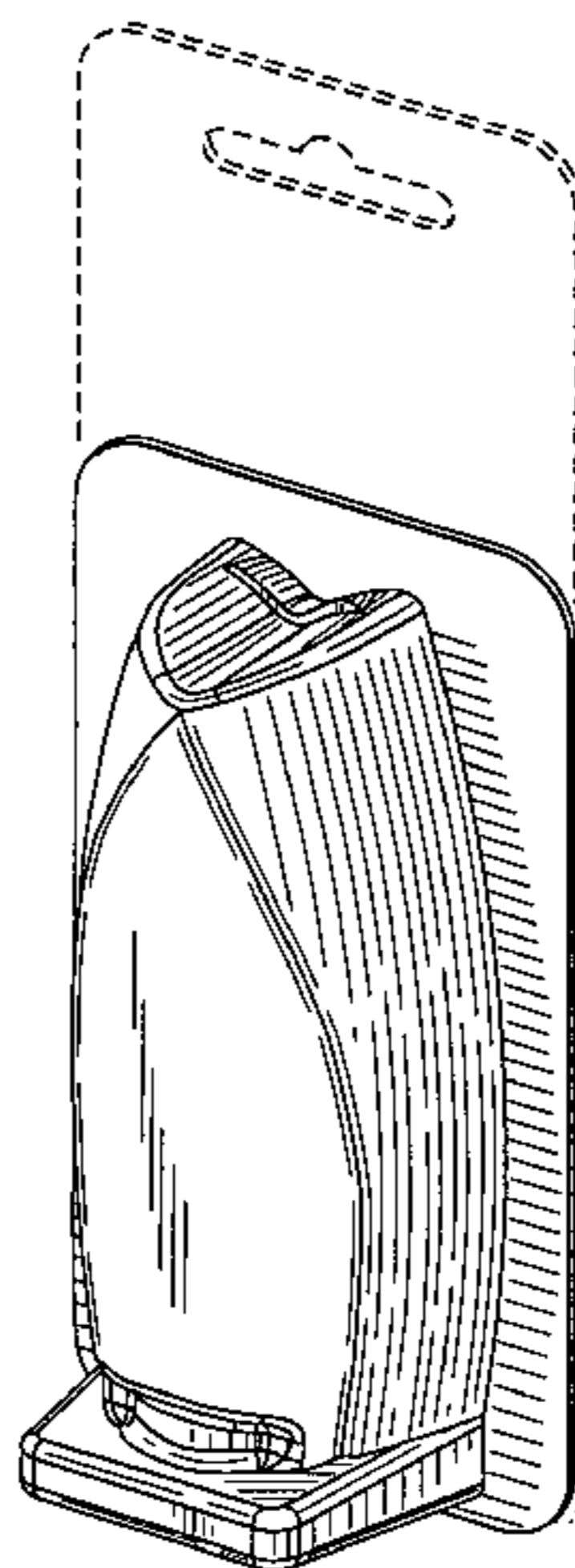
(56) **References Cited**
U.S. PATENT DOCUMENTS

3,861,528 A 1/1975 Damuth
D238,674 S * 2/1976 Luedtke et al. D23/369
D250,042 S * 10/1978 Pardo et al. D23/369
D278,979 S * 5/1985 Anderson et al. D9/415
D291,064 S * 7/1987 Haber et al. D9/415
4,784,268 A 11/1988 Perchak
4,901,858 A 2/1990 Anderson
4,905,832 A 3/1990 Boll et al.
5,154,293 A 10/1992 Gould
5,236,749 A 8/1993 Ewing
D352,236 S 11/1994 Althaus
5,439,100 A 8/1995 Gordon et al.
D365,022 S 12/1995 Wada

DESCRIPTION

FIG. 1 is an isometric view of a top, front and right side of a blister for a display package showing my new design;
FIG. 2 is a front elevational view of the blister of FIG. 1;
FIG. 3 is a right side elevational view of the blister of FIG. 1, the opposite side being a mirror image thereof;
FIG. 4 is a top plan view of the blister of FIG. 1;
FIG. 5 is a bottom plan view of the blister of FIG. 1; and,
FIG. 6 is a rear elevational view of the blister of FIG. 1.
The subject matter shown in dashed lines depicts environmental structure and forms no part of the claimed design.

1 Claim, 2 Drawing Sheets



US D574,704 S

Page 2

U.S. PATENT DOCUMENTS

D522,380	S	6/2006	Dibnah et al.
D525,352	S *	7/2006	Lemaire D23/366
D535,004	S	1/2007	Furner et al.
D536,609	S *	2/2007	Moskovich et al. D9/415
D538,915	S	3/2007	Anderson et al.
2004/0079668	A1	4/2004	Lee
2005/0269232	A1	12/2005	Eisenbraun
2006/0091037	A1	5/2006	Grote et al.
2007/0029223	A1	2/2007	Mazurek
2007/0051652	A1	3/2007	Tilton
2007/0102317	A1	5/2007	Crawford et al.
2007/0187274	A1	8/2007	Dalea et al.

FOREIGN PATENT DOCUMENTS

AU	150973	3/2003
AU	300101	8/2004
AU	302118	6/2005
AU	304023	11/2005
AU	312641	1/2007
AU	313093	2/2007
AU	313386	3/2007
AU	316320	9/2007
CR	14680	9/1983
CR	28494	2/1999
DE	74 36 038	3/1975
DE	33 25 617	1/1985
DE	40200788	5/2002
DE	40401821	7/2004
DE	40406984	4/2005
DE	40402928	7/2005
DE	40403011	7/2005
DE	40600348	7/2006
DE	40603295	1/2007
DE	40700820	5/2007
EC	56155-0001	7/2003
EC	85170-0001	10/2003
EC	177506-0001	5/2004
EC	195755-0001	6/2004
EC	530175-0001	5/2006
EC	657440-0001	1/2007
EP	327 479	8/1989
EP	605 880	7/1994
EP	856 476	8/1998
GB	2040236	11/1994
GB	2051003	2/1996
GB	2066620	9/1997
GB	3008425	3/2003
GB	3019663	2/2005
GB	3025331	9/2006
HK	0110027.0	1/2001
HK	0310453.4M002	3/2003
JP	835173	1/1992
JP	859634	10/1992
JP	898443	2/1994
JP	907544	6/1994
JP	964594	7/1996
JP	982981	4/1997
JP	1024821	8/1998
JP	1026190	9/1998
JP	1067263	1/2000
JP	1067264	1/2000
JP	1067265	1/2000
JP	1067266	1/2000
JP	1068010	1/2000
JP	1070248	2/2000
JP	1070268	2/2000
JP	1096994	11/2000
JP	1101014	12/2000
JP	1109153	3/2001

JP	1122714	8/2001
JP	1134160	12/2001
JP	1140255	3/2002
JP	1141991	3/2002
JP	1142497	4/2002
JP	1151942	7/2002
JP	1162918	11/2002
JP	1162919	11/2002
JP	1162920	11/2002
JP	1193401	11/2003
JP	1193977	11/2003
JP	1193978	11/2003
JP	1205787	4/2004
JP	1206993	4/2004
JP	1206994	4/2004
JP	1206995	4/2004
JP	1225241	10/2004
JP	1257255	10/2005
JP	1258755	11/2005
JP	1259609	11/2005
JP	1259611	11/2005
JP	1271452	3/2006
JP	1271621	3/2006
JP	1271624	3/2006
JP	1271810	4/2006
JP	1285325	9/2006
JP	1288827	11/2006
JP	1289064	11/2006
JP	1309989	8/2007
KR	30-0229727	10/1998
KR	30-0234035	12/1998
KR	30-0234036	12/1998
KR	30-0286166	11/2001
KR	30-0295755	3/2002
KR	10-2002-0059757	7/2002
KR	20-0305978	2/2003
KR	30-0362445	9/2004
KR	10-2004-0111550	12/2004
KR	10-2005-0095626	9/2005
KR	20-0396262	9/2005
KR	30-0394860	10/2005
KR	10-2005-0103948	11/2005
KR	10-2005-0119637	12/2005
KR	10-2006-0069820	6/2006
KR	30-0433061	12/2006
KR	30-0442917	3/2007
KR	30-0442918	3/2007
KR	10-0092997	9/2007
MX	9116	11/1997
MX	PA 02009228	3/2003
MX	234802	3/2006
SG	DU2005/1314 I	7/2005
WO	WO 99/007619	2/1999
WO	DM/047254	6/1999
WO	DM/052947	11/2000
WO	DM/054163	2/2001
WO	DM/054317	2/2001
WO	DM/054784	3/2001
WO	DM/055342	4/2001
WO	WO 01/36293	5/2001
WO	DM/060622	8/2002
WO	DM/064257	10/2003
WO	WO 03/091019	11/2003
WO	WO 2004/067041	8/2004
WO	WO 2004/074131	9/2004
WO	WO 2004/102698	11/2004
WO	WO 2005/011373	2/2005
WO	DM/066517	7/2005
WO	WO 2006/020075	2/2006
WO	DM/068167	10/2006

* cited by examiner

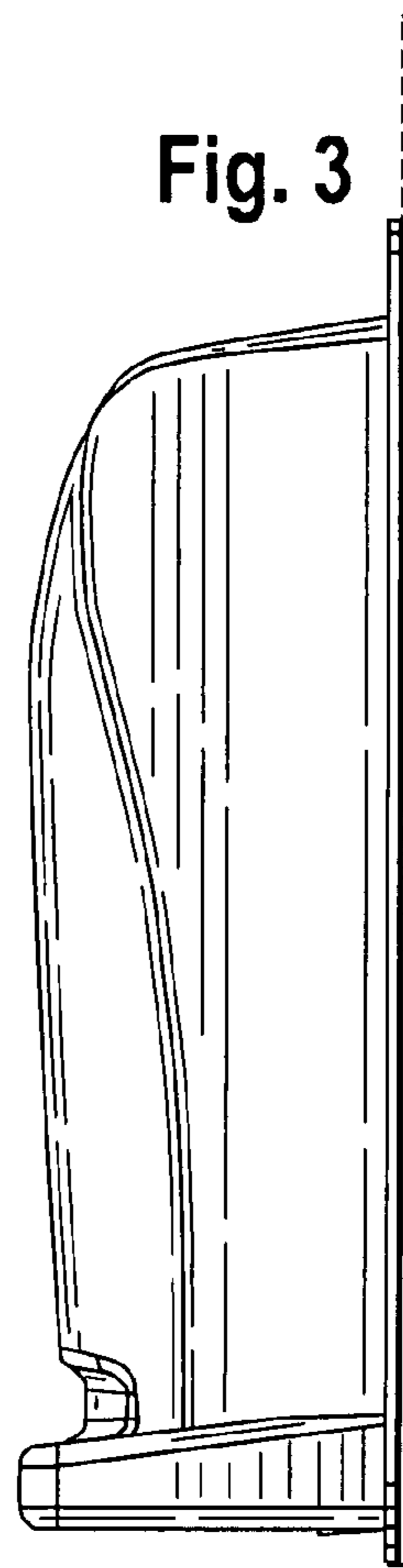
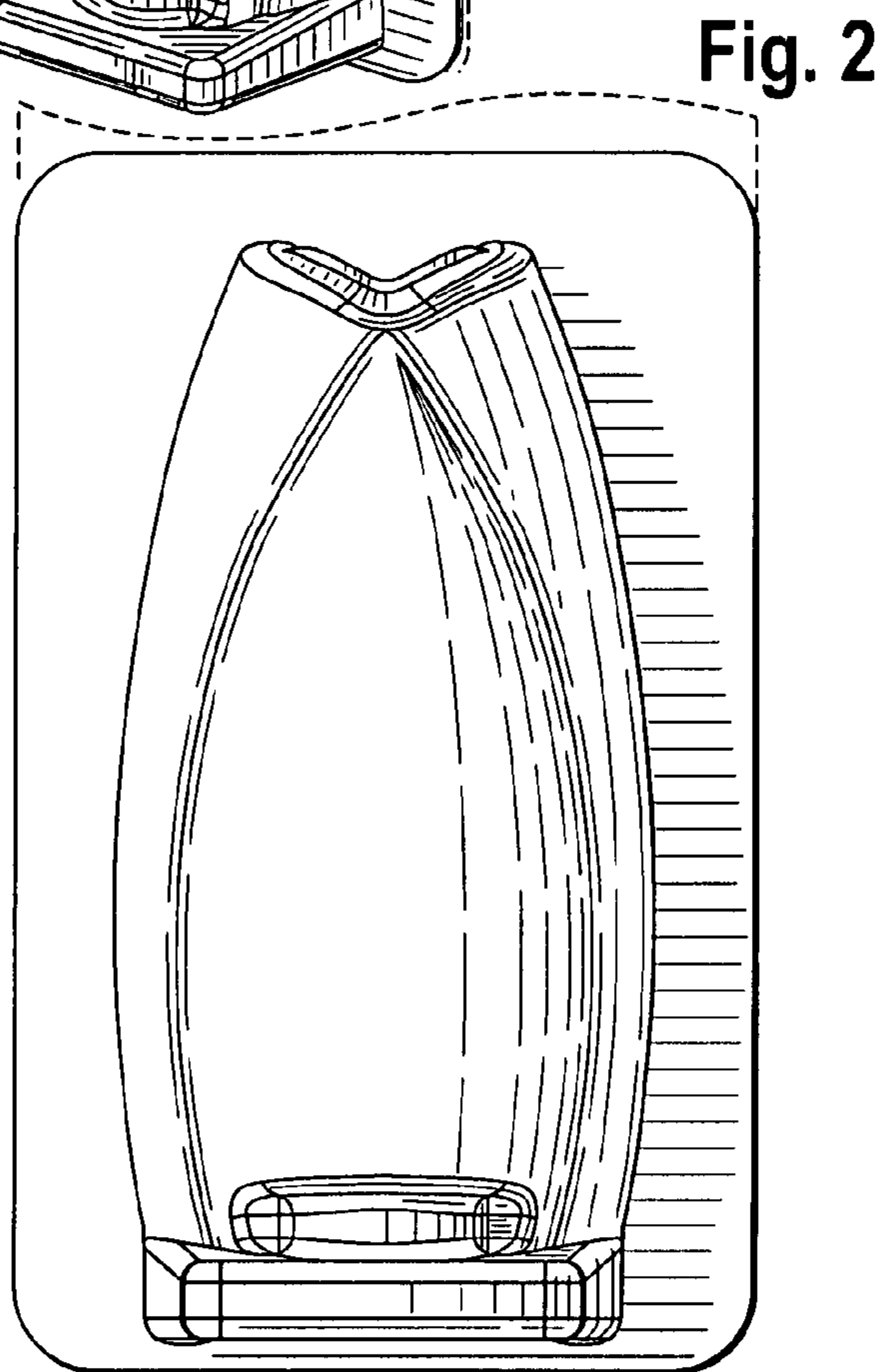
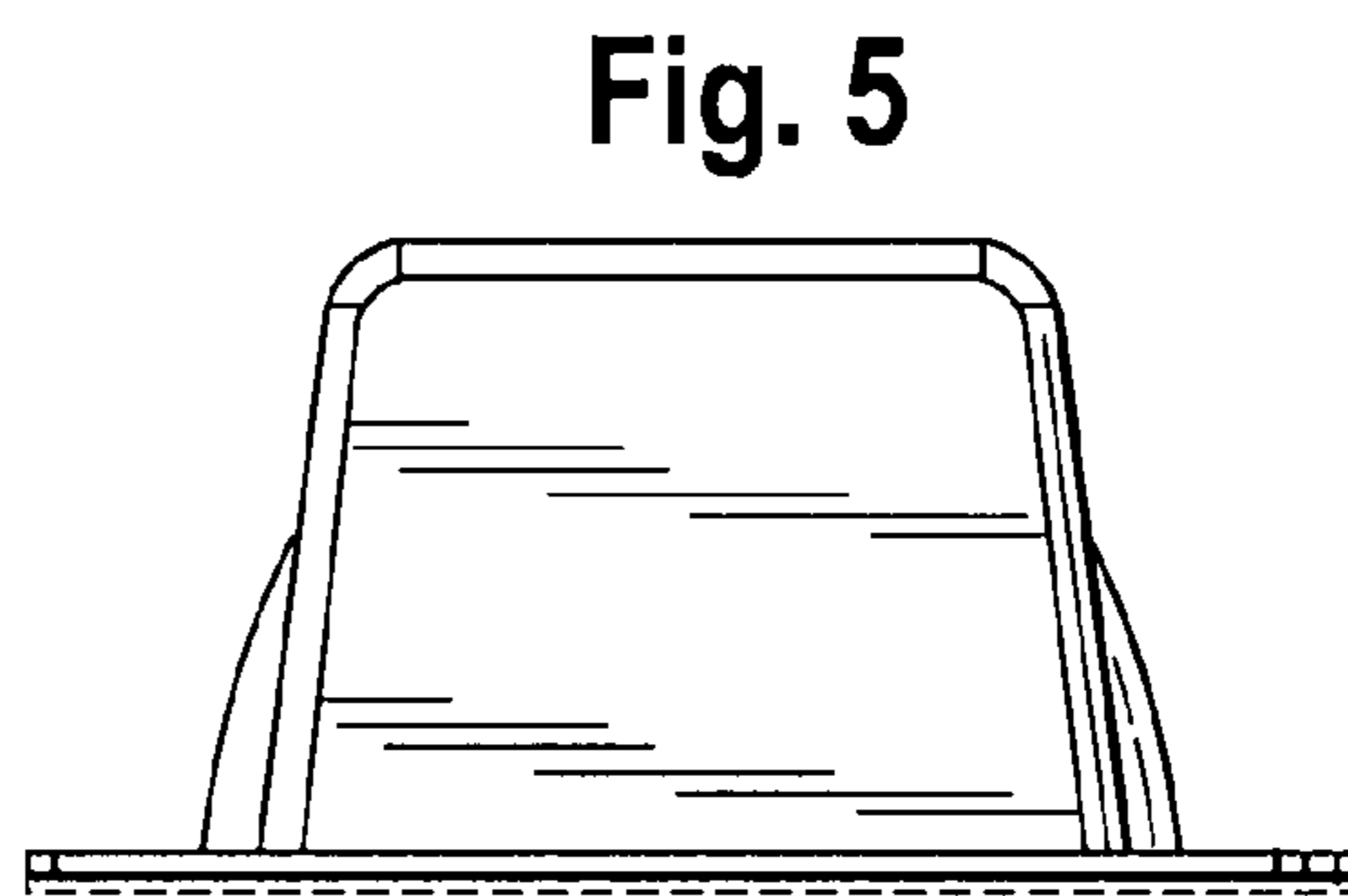
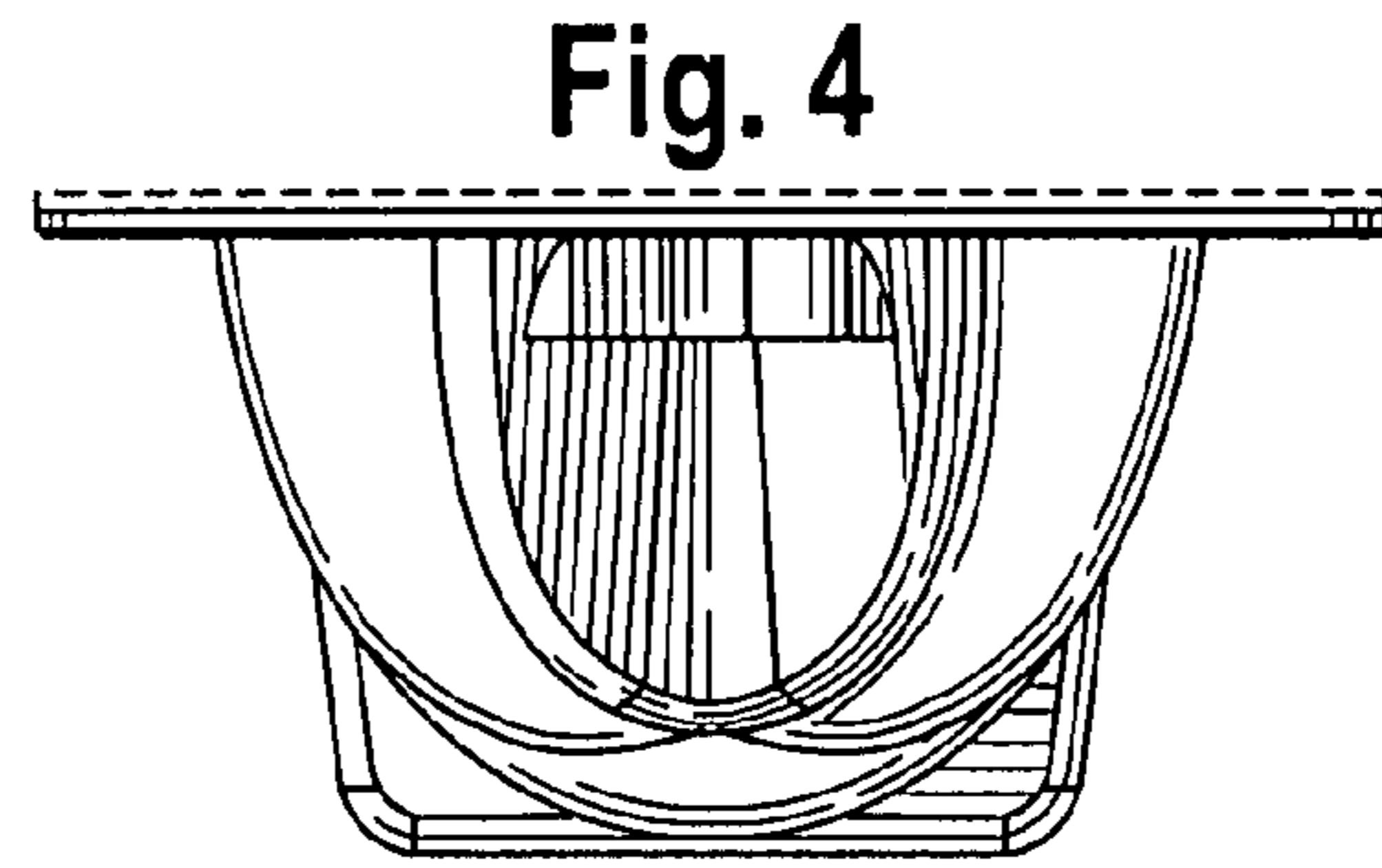
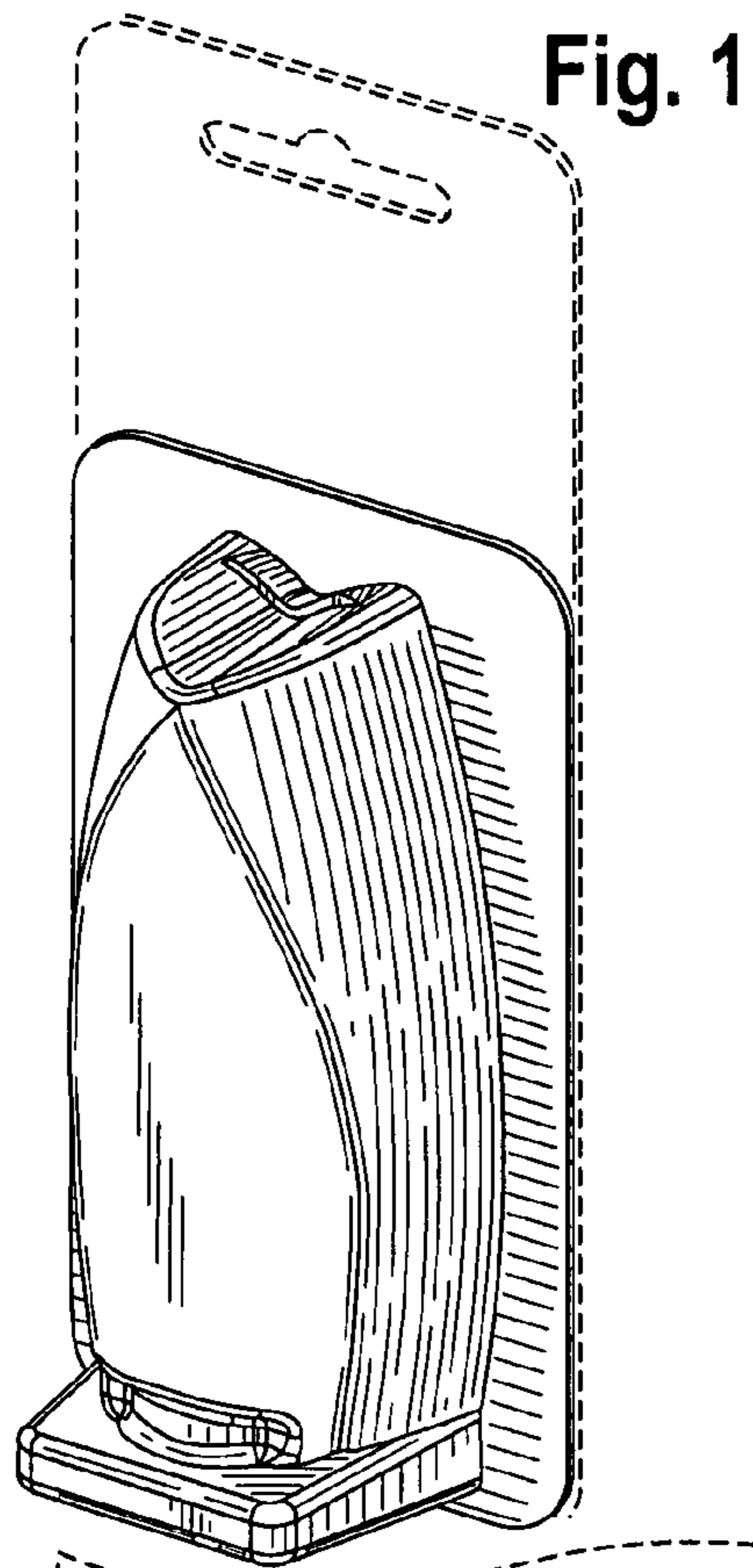


Fig. 6

