



US00D574702S

(12) **United States Design Patent**
Stephens et al.

(10) **Patent No.:** **US D574,702 S**
(45) **Date of Patent:** **** Aug. 12, 2008**

(54) **NOTEBOOK CLIP DEVICE**

(75) Inventors: **Brian Stephens**, Co. Dublin (IE);
Laurence Massey, Dublin (IE); **Mark Martinez**, San Francisco, CA (US);
Andrew Heymann, San Jose, CA (US);
Ladan Khamsepoor, Santa Clara, CA (US); **Ya Wen Hsu**, Hsinchu (TW)

(73) Assignee: **Logitech Europe S.A.** (CH)

(**) Term: **14 Years**

(21) Appl. No.: **29/269,507**

(22) Filed: **Nov. 30, 2006**

(51) **LOC (8) Cl.** **08-08**

(52) **U.S. Cl.** **D8/395**

(58) **Field of Classification Search** D8/394-396,
D8/72; D19/56, 65; 24/67.3; D32/60-64;
D28/40; D16/214, 219, 237; 248/121, 126,
248/187.1

See application file for complete search history.

(56) **References Cited**

U.S. PATENT DOCUMENTS

6,021,982 A * 2/2000 Mangone, Jr. 248/74.5
D484,400 S * 12/2003 Blake et al. D8/394

D521,366 S * 5/2006 Polak et al. D8/383
D534,939 S * 1/2007 Sheehan et al. D16/208
D563,217 S * 3/2008 Kushner D8/395
D563,452 S * 3/2008 Tan et al. D16/237

* cited by examiner

Primary Examiner—Robert M. Spear
Assistant Examiner—John Windmuller

(74) *Attorney, Agent, or Firm*—Townsend and Townsend and Crew LLP

(57) **CLAIM**

The ornamental design for the notebook clip device, as shown and described.

DESCRIPTION

FIG. 1 is a perspective view of a notebook clip device showing our new design;

FIG. 2 is a left side elevational view thereof;

FIG. 3 is a right side elevational view thereof;

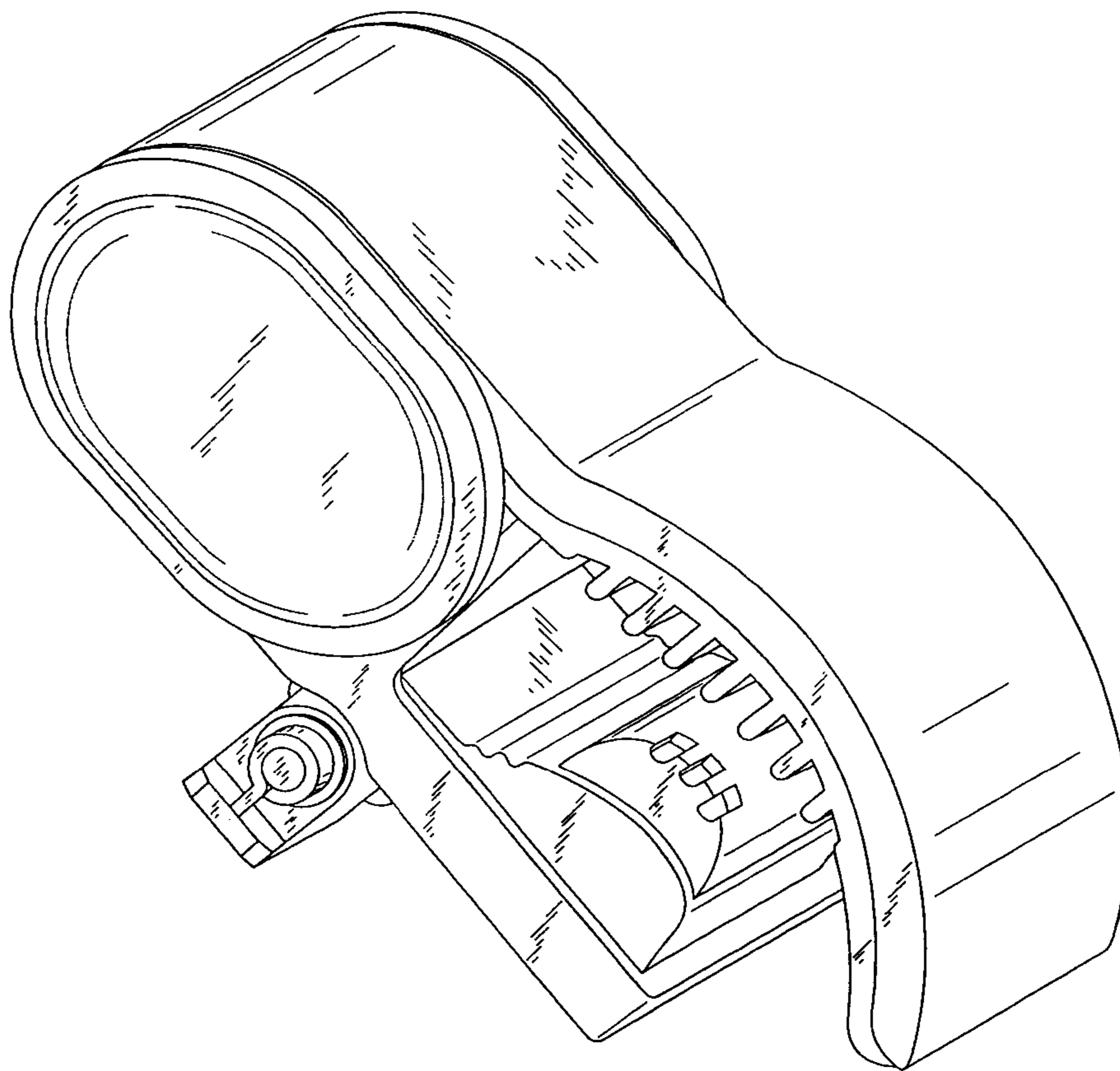
FIG. 4 is a front plan view thereof;

FIG. 5 is a back plan view thereof;

FIG. 6 is a top plan view; and,

FIG. 7 is a bottom plan view.

1 Claim, 5 Drawing Sheets



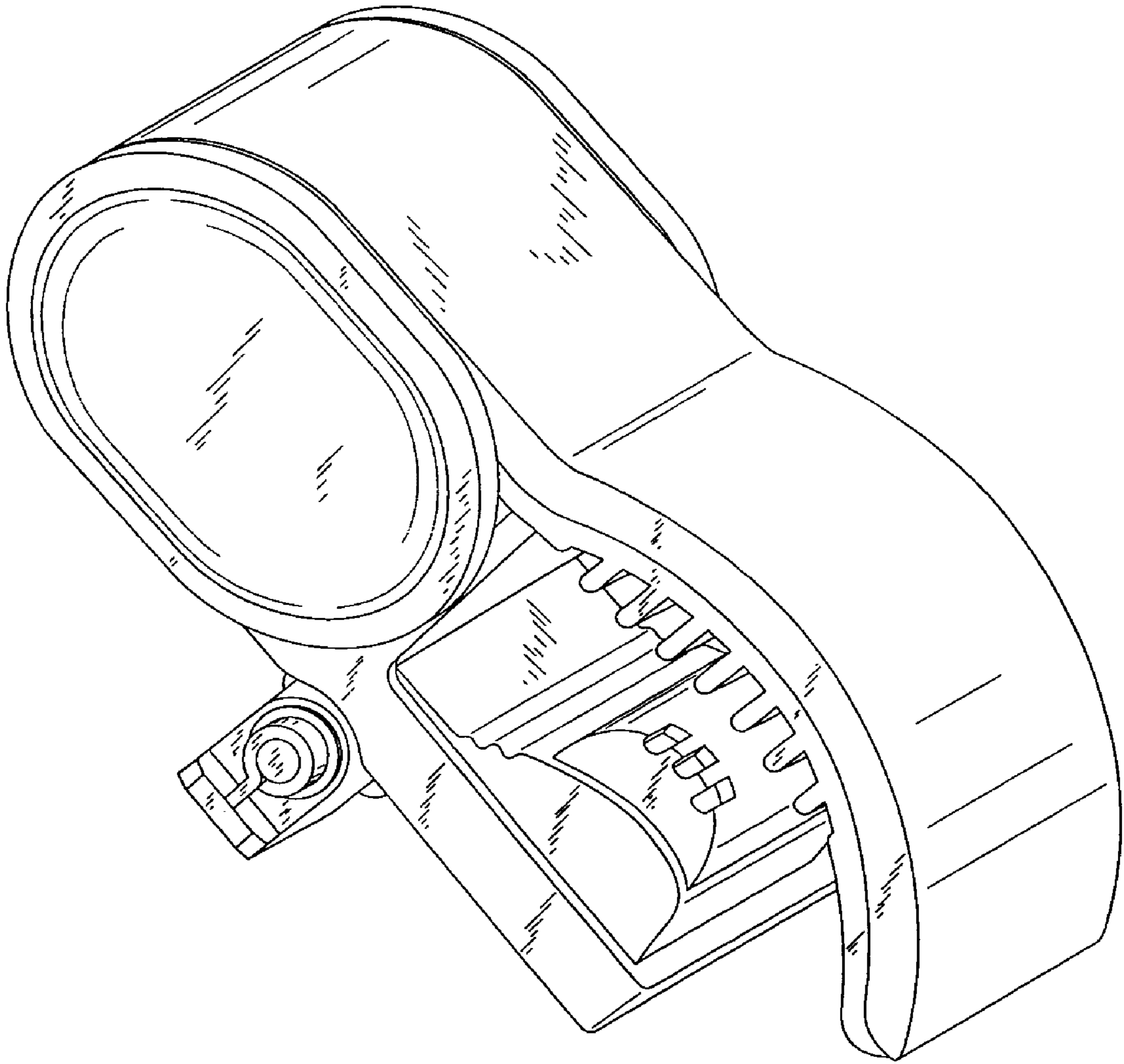


FIG. 1

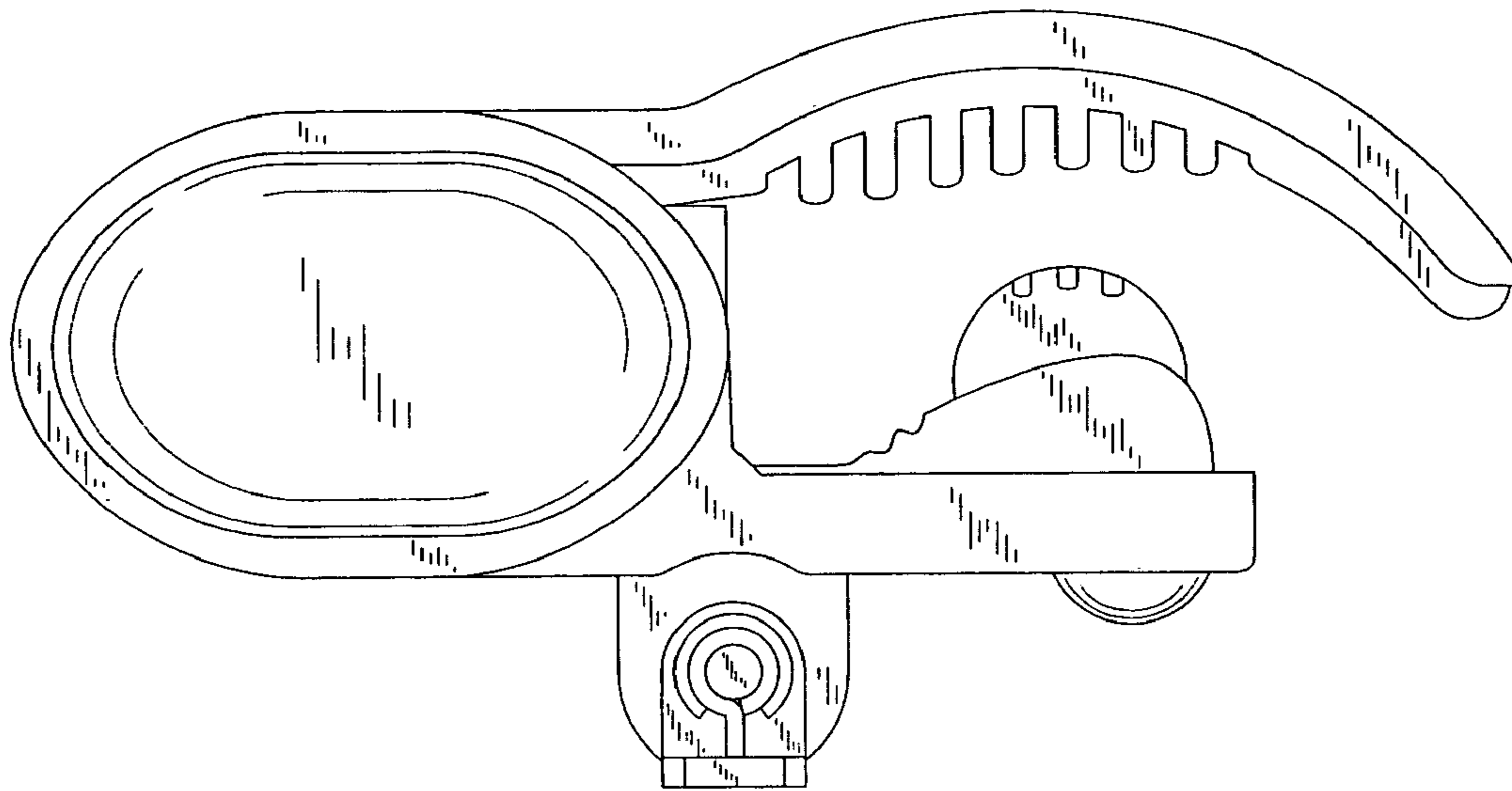


FIG. 2

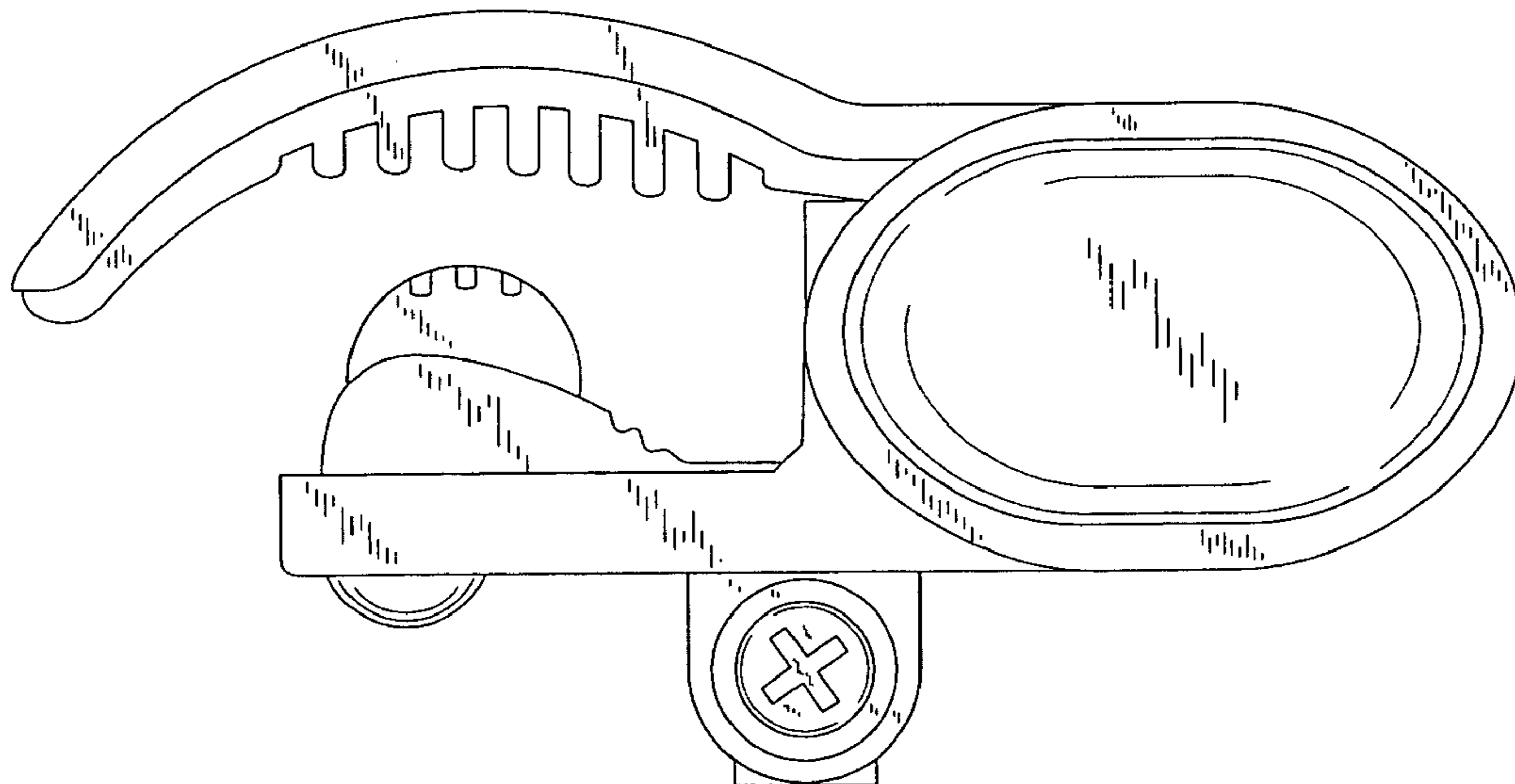


FIG. 3

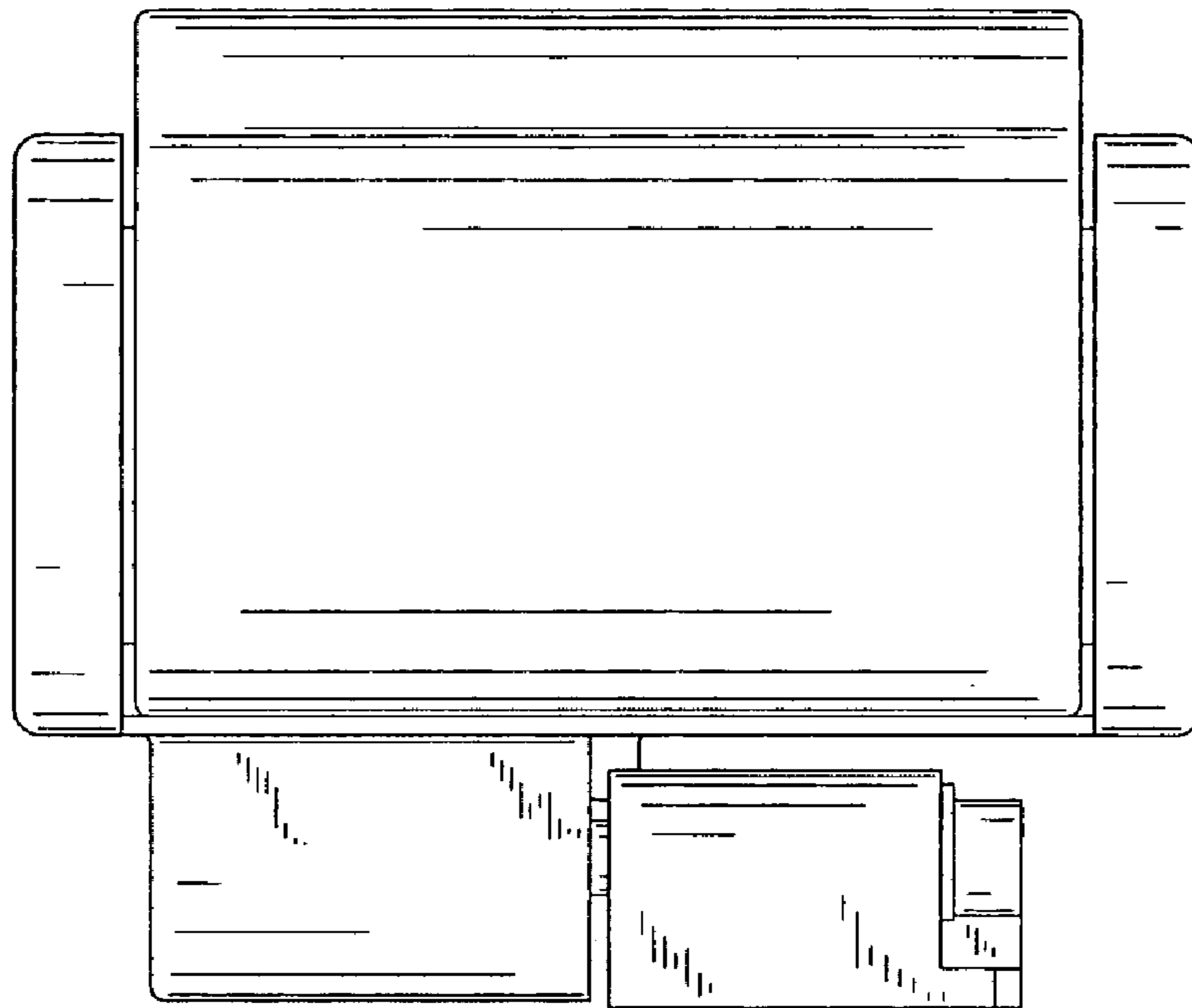


FIG. 4

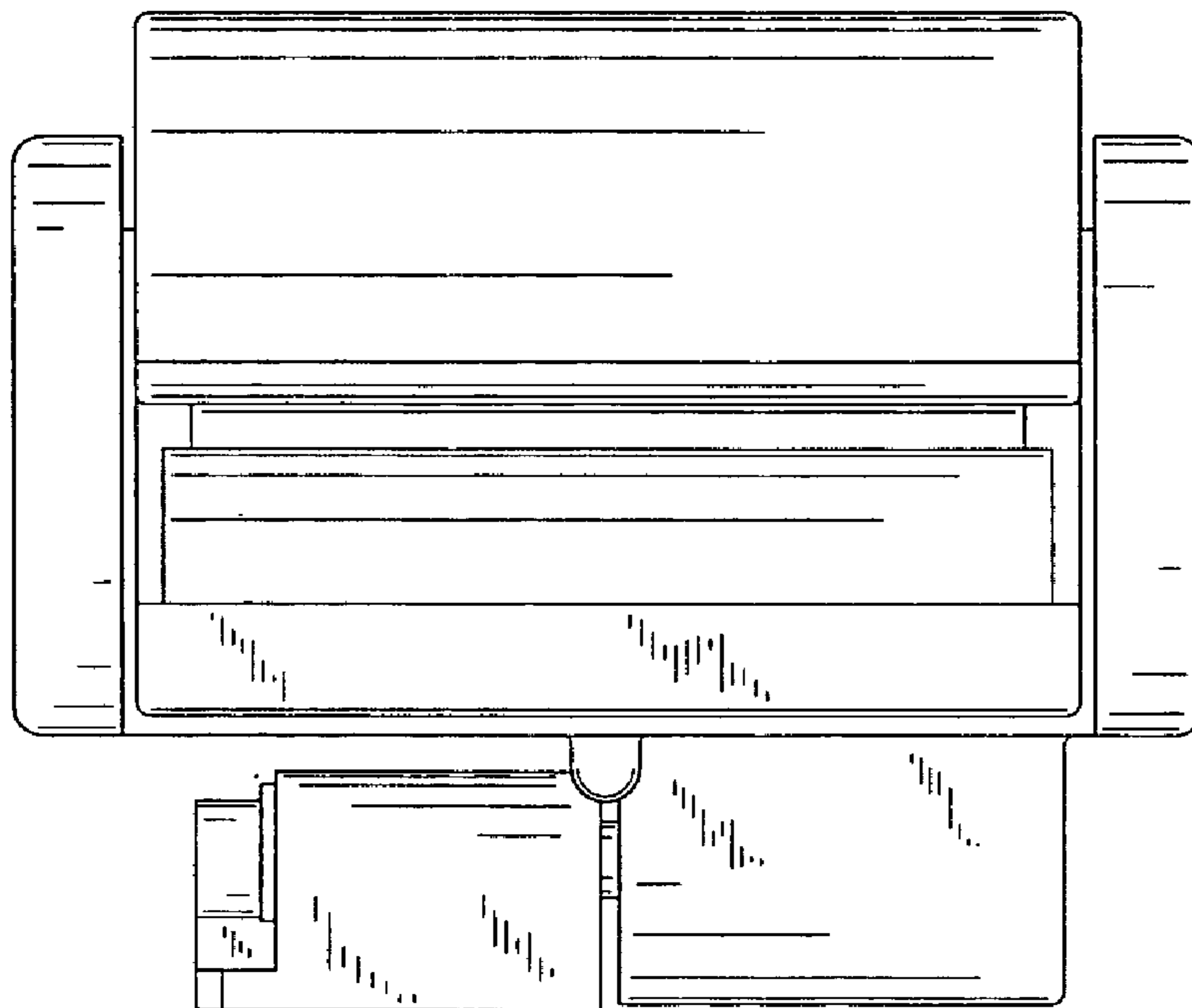


FIG. 5

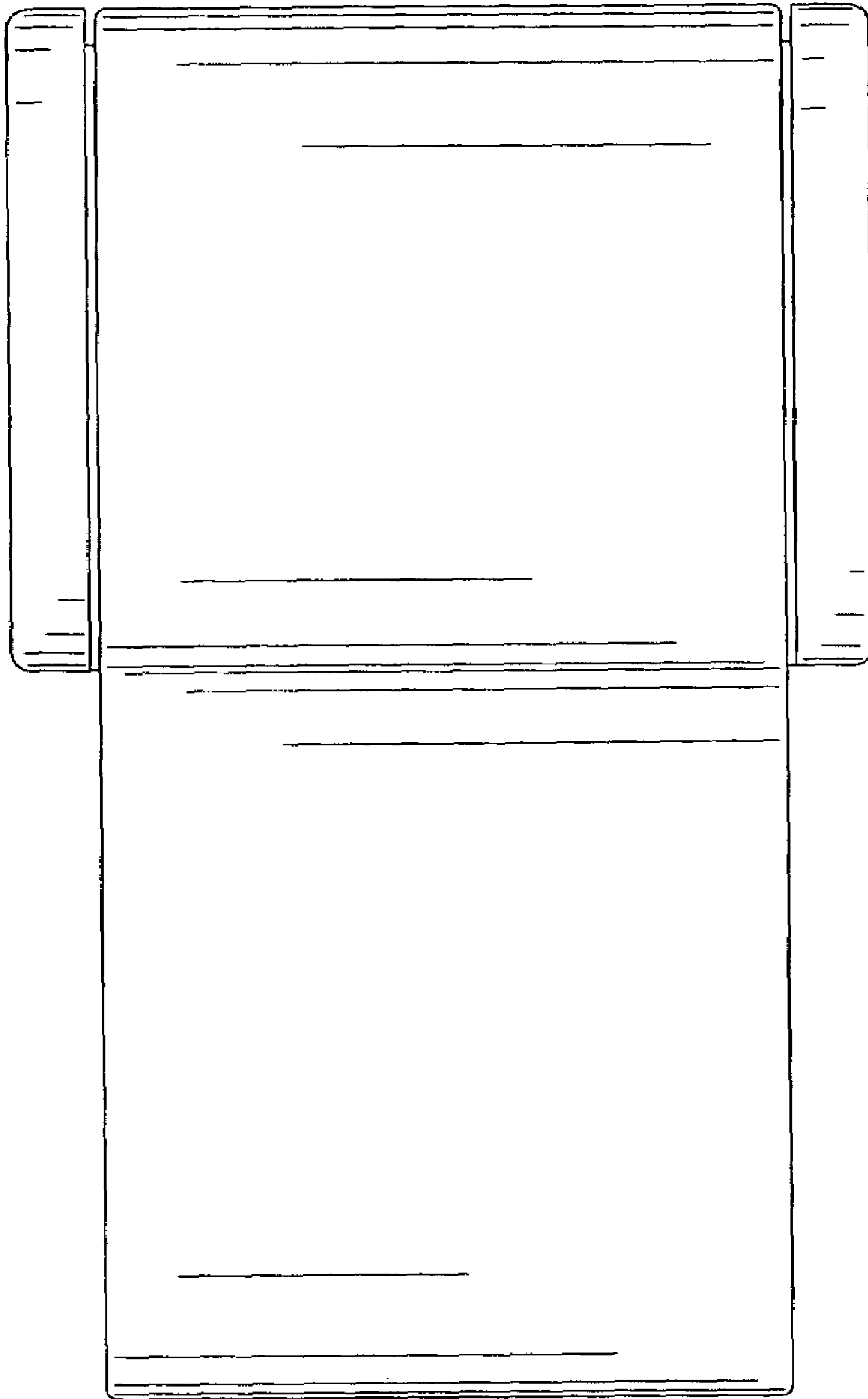


FIG. 6

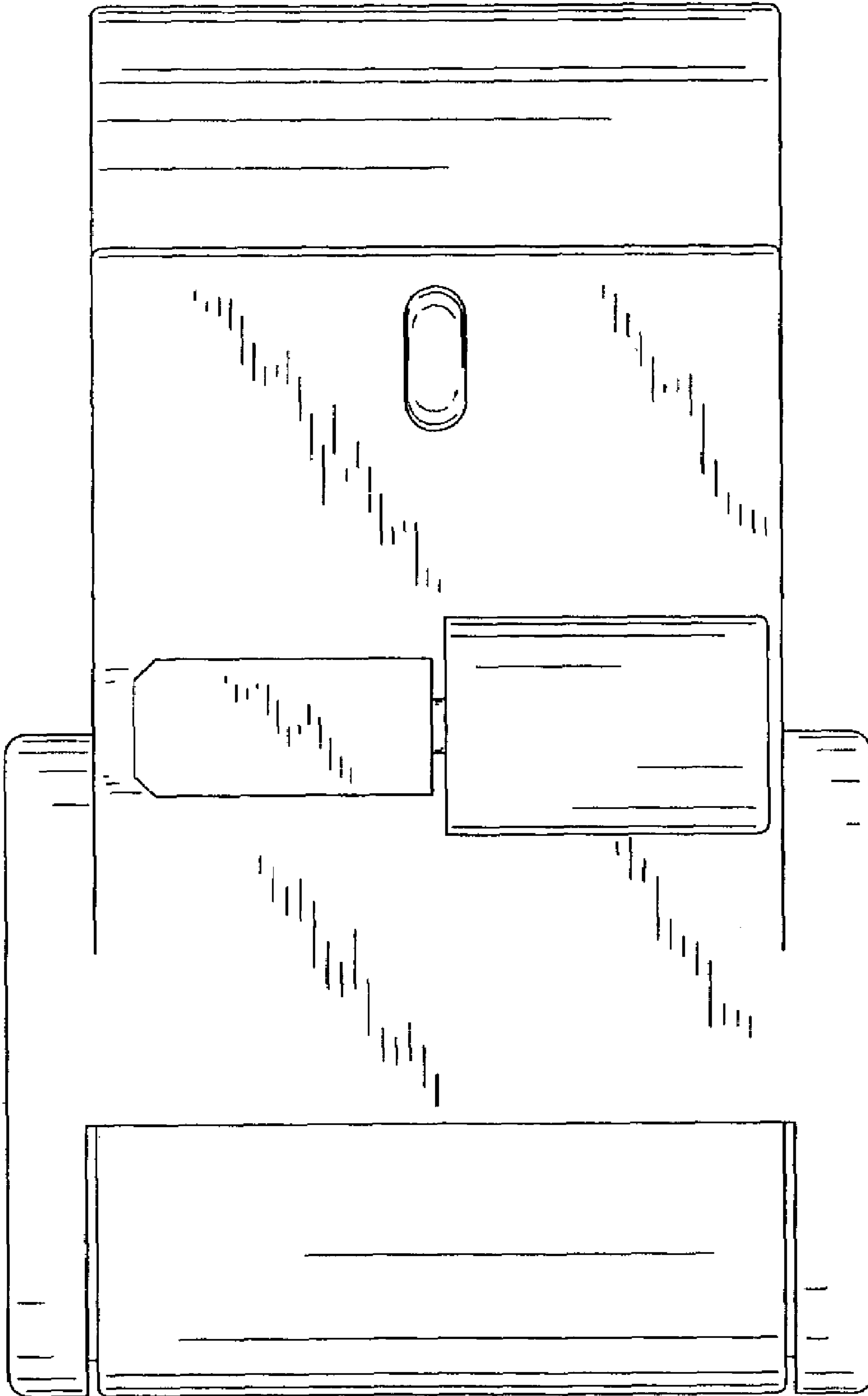


FIG. 7